



US00D658429S

(12) **United States Design Patent**
Berge

(10) **Patent No.:** **US D658,429 S**

(45) **Date of Patent:** **** May 1, 2012**

(54) **COUNTERTOP GRIDDLE**

(75) Inventor: **Michael R. Berge**, Eau Claire, WI (US)

(73) Assignee: **National Presto Industries, Inc.**, Eau Claire, WI (US)

(**) Term: **14 Years**

(21) Appl. No.: **29/406,595**

(22) Filed: **Nov. 16, 2011**

(51) **LOC (9) Cl.** **07-02**

(52) **U.S. Cl.** **D7/363; D7/354; D7/362**

(58) **Field of Classification Search** D7/323,
D7/329-331, 337, 339, 346-347, 350.1-350.4,
D7/353-367, 391, 393, 395, 402, 406, 538,
D7/542; 99/324-325, 331-332, 337-348,
99/369, 400-418, 422, 425, 444-446, 483;
126/37 R, 261, 378.1; 206/501-505, 507-508;
219/386, 400, 405, 429-442, 450.1, 620-624,
219/725, 730-735; 220/315, 573.1-573.5,
220/912; 426/438, 441

See application file for complete search history.

(56) **References Cited**

U.S. PATENT DOCUMENTS

D139,751 S *	12/1944	Springwell	D7/363
D286,494 S *	11/1986	Lastuck	D7/363
D296,509 S	7/1988	Fuke		
D335,240 S *	5/1993	Critchfield et al.	D7/364
D366,390 S	1/1996	Vitantonio		
D409,041 S *	5/1999	Barker	D7/362
D412,808 S *	8/1999	Hinton et al.	D7/362
D431,152 S	9/2000	Lee		
D436,796 S	1/2001	Kalina et al.		
D441,250 S *	5/2001	Choi	D7/362
6,472,644 B1 *	10/2002	Wu	219/450.1

D484,737 S *	1/2004	Bodum	D7/337
D505,044 S	5/2005	Hei		
D533,016 S *	12/2006	Genslak et al.	D7/363
D575,098 S	8/2008	Seymour		
7,523,697 B2 *	4/2009	Hedrington	99/348
D618,047 S *	6/2010	Seymour	D7/367
D644,867 S *	9/2011	Janvier	D7/363
2006/0163242 A1 *	7/2006	Ciancimino et al.	219/450.1

OTHER PUBLICATIONS

Presto® 20-inch Cool Touch Electric Griddle, webpage, <http://www.gopresto.com/products/products.php?stock=07030>, Nov. 7, 2011, 2 pages.

(Continued)

Primary Examiner — Ricky Pham

(74) *Attorney, Agent, or Firm* — Patterson Thunte Christensen Pedersen, P.A.

(57) **CLAIM**

I claim the ornamental design for countertop griddle, as shown and described.

DESCRIPTION

FIG. 1 is a top view of a countertop griddle according to an embodiment of the invention.

FIG. 2 is a bottom view of the countertop griddle of FIG. 1.

FIG. 3 is a front view of the countertop griddle of FIG. 1.

FIG. 4 is a rear view of the countertop griddle of FIG. 1.

FIG. 5 is a left side view of the countertop griddle of FIG. 1.

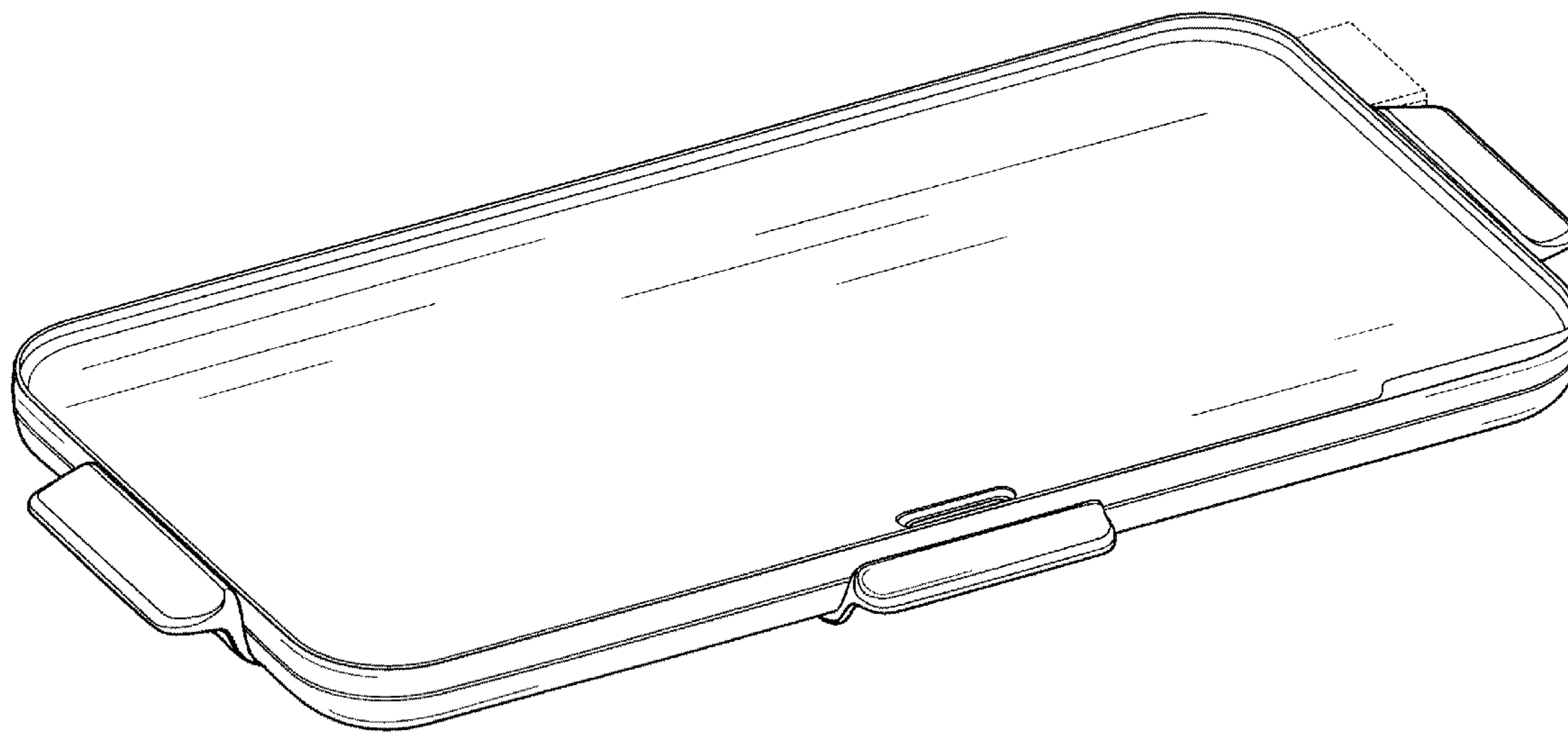
FIG. 6 is a right side view of the countertop griddle of FIG. 1;

and,

FIG. 7 is a front, perspective view of the countertop griddle of FIG. 1.

Items shown in broken lines are for illustrative purposes only and form no part of the claimed invention.

1 Claim, 7 Drawing Sheets



OTHER PUBLICATIONS

Presto® 22-inch Electric Griddle, webpage, <http://www.gopresto.com/products/products.php?stock=07039>, Nov. 7, 2011, 2 pages.

Presto® 22-inch Electric Griddle with Removable Handles, webpage, <http://www.gopresto.com/products/products.php?stock=07061>, Nov. 7, 2011, 2 pages.

Presto® Cool Touch Electric Griddle, webpage, <http://www.gopresto.com/products/products.php?stock=07047>, Nov. 7, 2011, 2 pages.

Presto® Cool Touch Electric Foldaway™ Griddle, webpage, <http://www.gopresto.com/products/products.php?stock=07050>, Nov. 7, 2011, 2 pages.

Presto® Cool Touch Electric Tilt'nDrain™ Griddle, webpage, <http://www.gopresto.com/products/products.php?stock=07045>, Nov. 7, 2011, 2 pages.

Presto® Liddle Griddle® mini griddle, webpage, <http://www.gopresto.com/products/products.php?stock=07211>, Nov. 7, 2011, 2 pages.

Presto® Tilt'nDrain™ BigGriddle cool touch electric griddle, webpage, <http://www.gopresto.com/products/products.php?stock=07046>, Nov. 7, 2011, 3 pages.

* cited by examiner

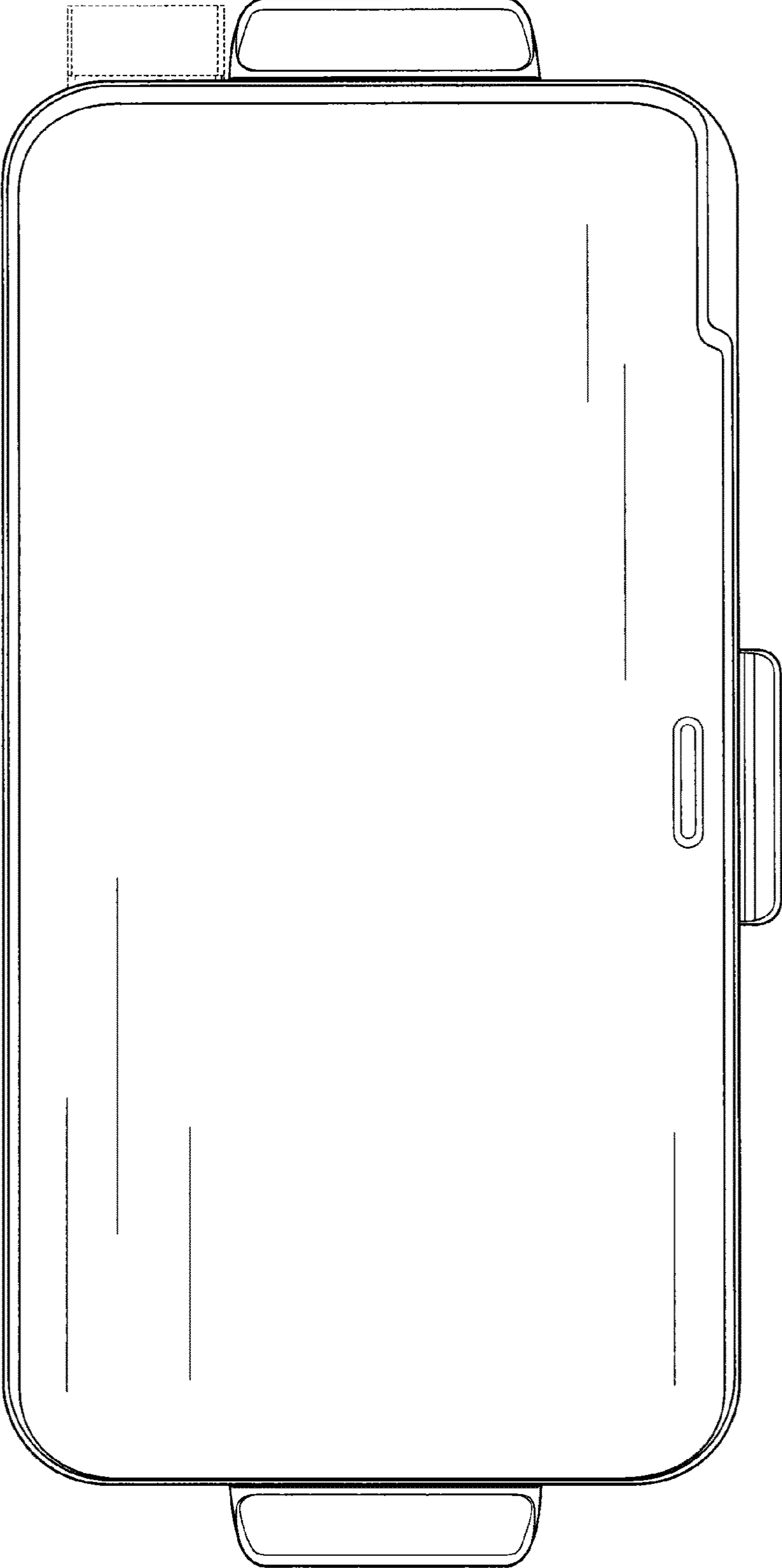


Fig. 1

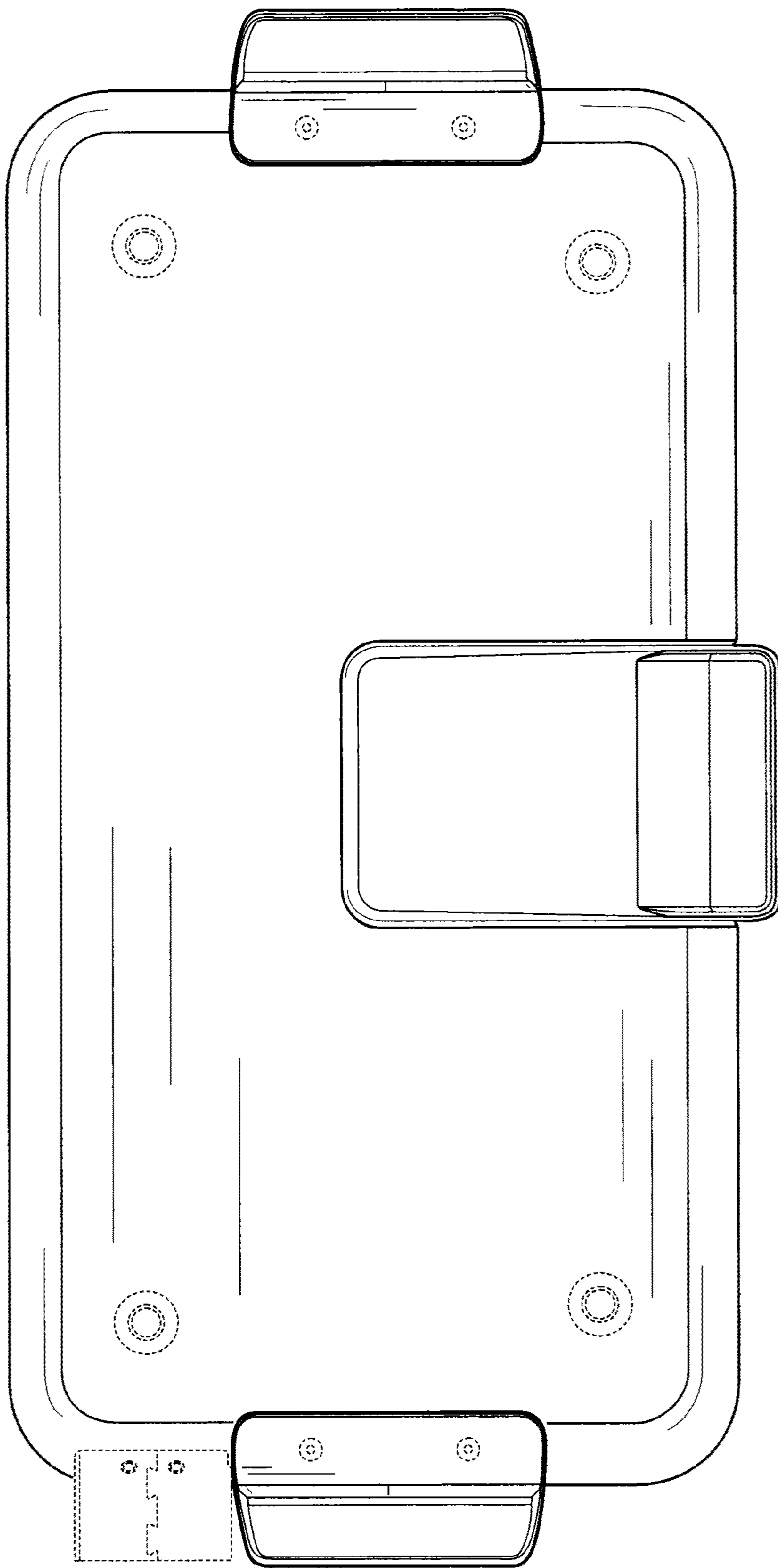


Fig. 2

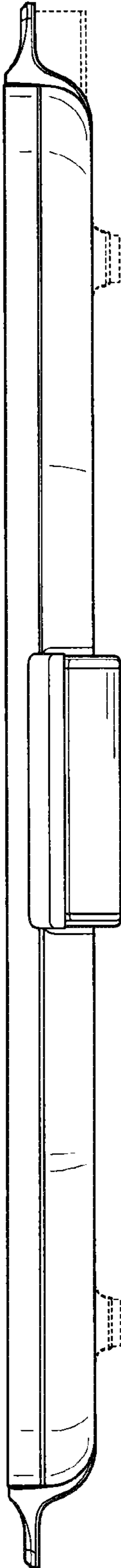


Fig. 3

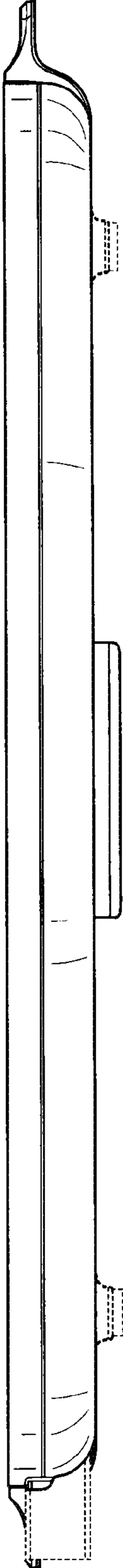


Fig. 4

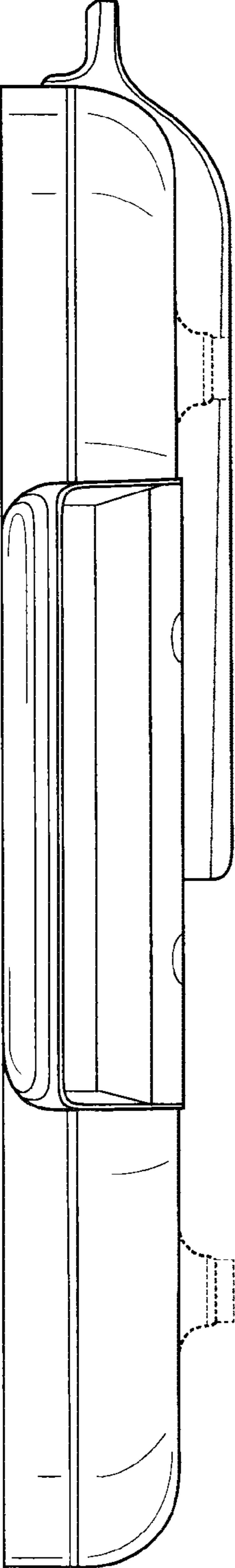


Fig. 5

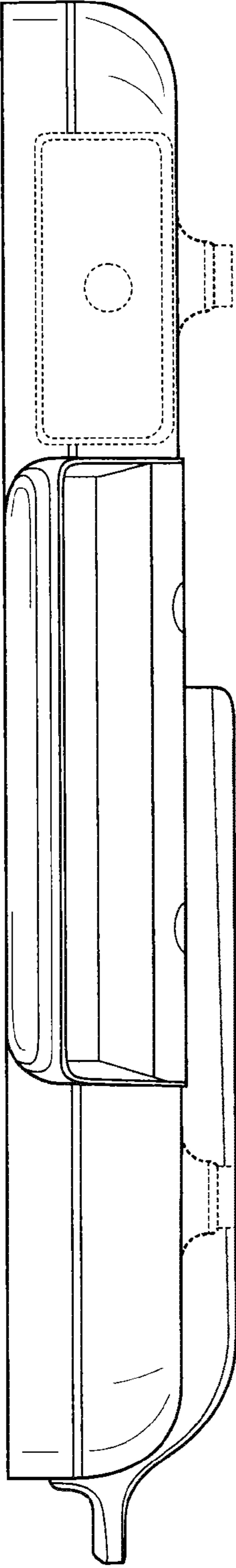


Fig. 6

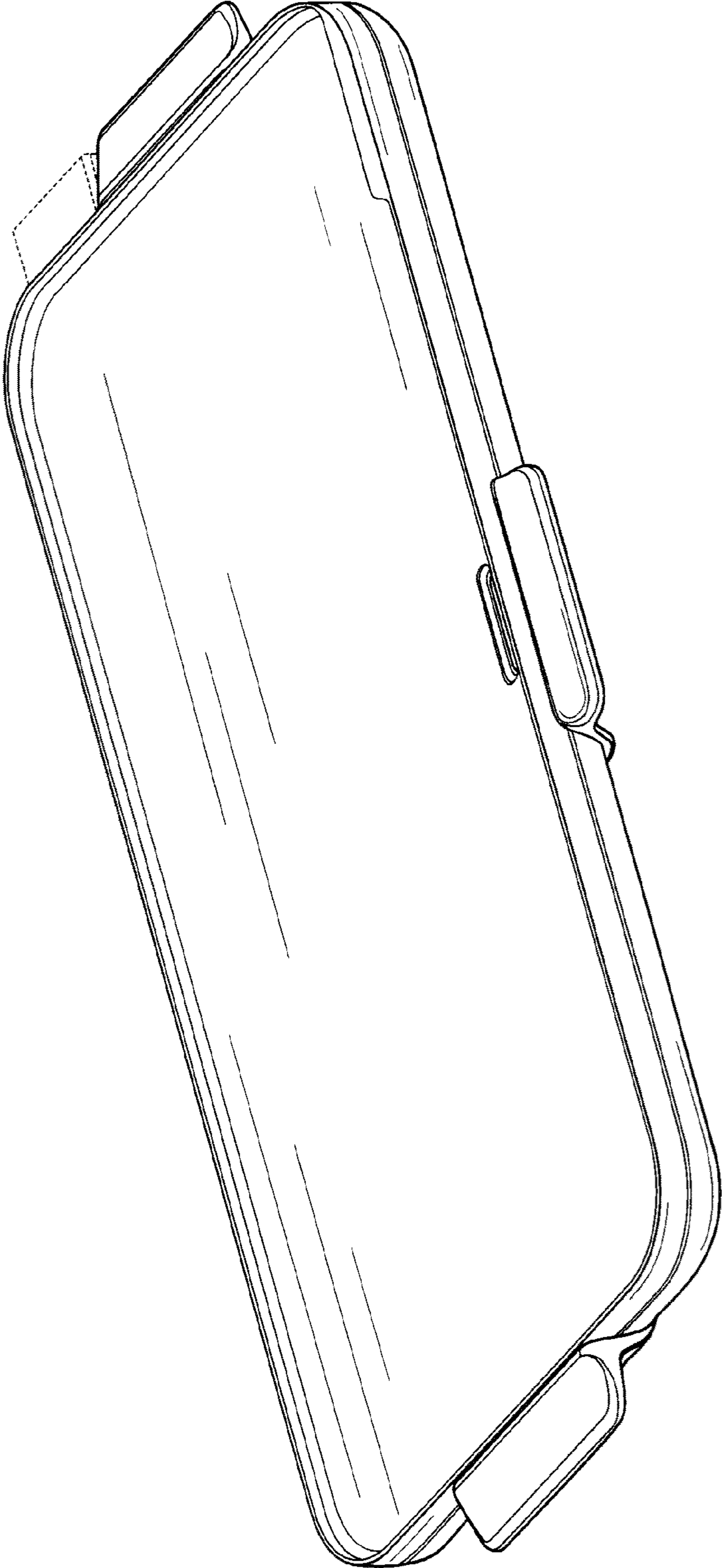


Fig. 7