



US00D658428S

(12) **United States Design Patent**  
**Seymour**

(10) **Patent No.:** **US D658,428 S**  
(45) **Date of Patent:** **\*\* May 1, 2012**

(54) **SKILLET HAVING REMOVABLE BASE**

(75) Inventor: **Justun C. Seymour**, Eau Claire, WI (US)

(73) Assignee: **National Presto Industries, Inc.**, Eau Claire, WI (US)

(\*\*) Term: **14 Years**

(21) Appl. No.: **29/398,888**

(22) Filed: **Aug. 5, 2011**

(51) **LOC (9) Cl.** ..... **07-02**

(52) **U.S. Cl.** ..... **D7/363; D7/354; D7/360**

(58) **Field of Classification Search** ..... **D7/323, D7/329-331, 339, 346-347, 350.1-350.4, D7/353-367, 391, 393, 395, 402, 406, 538, D7/542; 99/324-325, 331-332, 337-340, 99/369, 400-418, 422, 425, 444, 483; 126/37 R, 126/261, 378.1; 206/501-505, 507-508; 219/400, 405, 429-442, 620-624, 725, 730-735; 220/315, 573.1-573.5, 912; 426/438, 441**  
See application file for complete search history.

(56) **References Cited**

**U.S. PATENT DOCUMENTS**

D168,905 S 2/1953 O'Connell  
D190,212 S 4/1961 Ernest

(Continued)

**OTHER PUBLICATIONS**

Presto® 11-inch Electric Skillet User Manual, 4 pages, Copyright 2003 by National Presto Industries, Inc. (Downloaded from www.gopresto.com).\*

(Continued)

*Primary Examiner* — Ricky Pham

(74) *Attorney, Agent, or Firm* — Patterson Thuente Christen Pedersen, P.A.

(57) **CLAIM**

I claim the ornamental design for skillet having removable base, as shown and described.

**DESCRIPTION**

FIG. 1 is a front view of a skillet having removable base according to an embodiment of the invention.

FIG. 2 is a top view of the skillet having removable base of FIG. 1.

FIG. 3 is a right side view of the skillet having removable base of FIG. 1.

FIG. 4 is a rear view of the skillet having removable base of FIG. 1.

FIG. 5 is a left side view of the skillet having removable base of FIG. 1.

FIG. 6 is a bottom view of the skillet having removable base of FIG. 1.

FIG. 7 is a front, perspective view of the skillet having removable base of FIG. 1.

FIG. 8 is a front, exploded view of the skillet having removable base of FIG. 1.

FIG. 9 is a front view of a skillet having removable base according to an embodiment of the invention.

FIG. 10 is a top view of the skillet having removable base of FIG. 9.

FIG. 11 is a right side view of the skillet having removable base of FIG. 9.

FIG. 12 is a rear view of the skillet having removable base of FIG. 9.

FIG. 13 is a left side view of the skillet having removable base of FIG. 9.

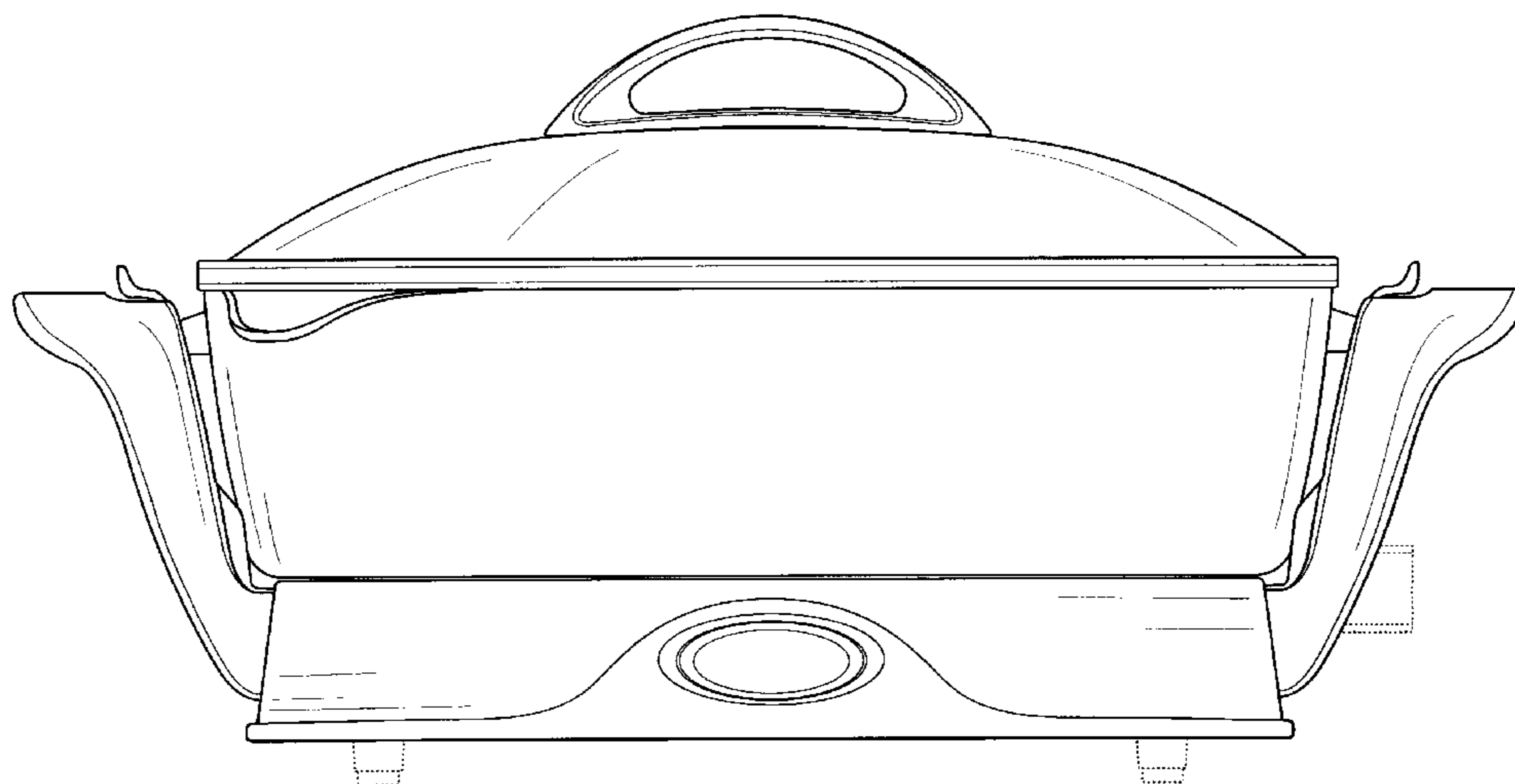
FIG. 14 is a bottom view of the skillet having removable base of FIG. 9.

FIG. 15 is a front, perspective view of the skillet having removable base of FIG. 9; and,

FIG. 16 is a front, exploded view of the skillet having removable base of FIG. 9.

Items shown in broken lines are for illustrative purposes only and form no part of the claimed invention.

**1 Claim, 16 Drawing Sheets**



# US D658,428 S

Page 2

## U.S. PATENT DOCUMENTS

3,007,028 A 10/1961 Sorenson  
D195,268 S 5/1963 Reed et al.  
D197,243 S 12/1963 Ernest  
D199,748 S 12/1964 De Fano  
D205,150 S 6/1966 Cornwell et al.  
D207,861 S 6/1967 Felske  
4,045,653 A 8/1977 Soper et al.  
D250,448 S 12/1978 Boldt et al.  
D261,594 S 11/1981 Boldt et al.  
D321,625 S 11/1991 Dobson et al.  
5,467,696 A 11/1995 Everhart  
D369,272 S 4/1996 Mendelson et al.  
5,656,188 A 8/1997 Janowiak et al.  
D409,041 S 5/1999 Barker  
D414,982 S 10/1999 Hopkins et al.  
D430,454 S \* 9/2000 Garber et al. .... D7/354  
D437,182 S 2/2001 Choi  
D437,183 S 2/2001 Wong et al.  
D442,426 S \* 5/2001 Garber et al. .... D7/363  
D444,342 S 7/2001 Kruepke  
D444,667 S \* 7/2001 Wong et al. .... D7/362  
D451,335 S \* 12/2001 Rossman .... D7/360  
D455,041 S \* 4/2002 Smith .... D7/362  
6,516,709 B1 2/2003 Lin  
D473,748 S \* 4/2003 Cho .... D7/360  
D479,432 S \* 9/2003 Barker .... D7/360  
D505,045 S 5/2005 Assmann

D514,882 S 2/2006 Marshall et al.  
D523,285 S \* 6/2006 Wells, Sr. .... D7/355  
D525,076 S 7/2006 Olsen et al.  
D525,479 S \* 7/2006 Olsen et al. .... D7/360  
D532,647 S \* 11/2006 Wasserman et al. .... D7/355  
D542,592 S 5/2007 Lubowicki  
7,228,792 B2 6/2007 Crawford et al.  
D548,002 S 8/2007 De'Longhi  
D591,553 S 5/2009 Garman et al.  
D614,908 S 5/2010 Berge  
D620,746 S 8/2010 Hsiao et al.  
D642,423 S \* 8/2011 Seymour .... D7/363  
D643,675 S \* 8/2011 Seymour .... D7/363  
D646,114 S \* 10/2011 Wong .... D7/357

## OTHER PUBLICATIONS

Presto® 12-inch Electric Skillet User Manual, 13 pages, Copyright 2007 by National Presto Industries, Inc. (Downloaded from www.gopresto.com).\*

Presto® 16-inch Electric Skillet User Manual, 4 pages, Copyright 2003 by National Presto Industries, Inc. (Downloaded from www.gopresto.com).\*

Presto® 16-inch Electric Skillet With Glass Cover User Manual, 4 pages, Copyright 2010 by National Presto Industries, Inc. (Downloaded from www.gopresto.com).\*

\* cited by examiner

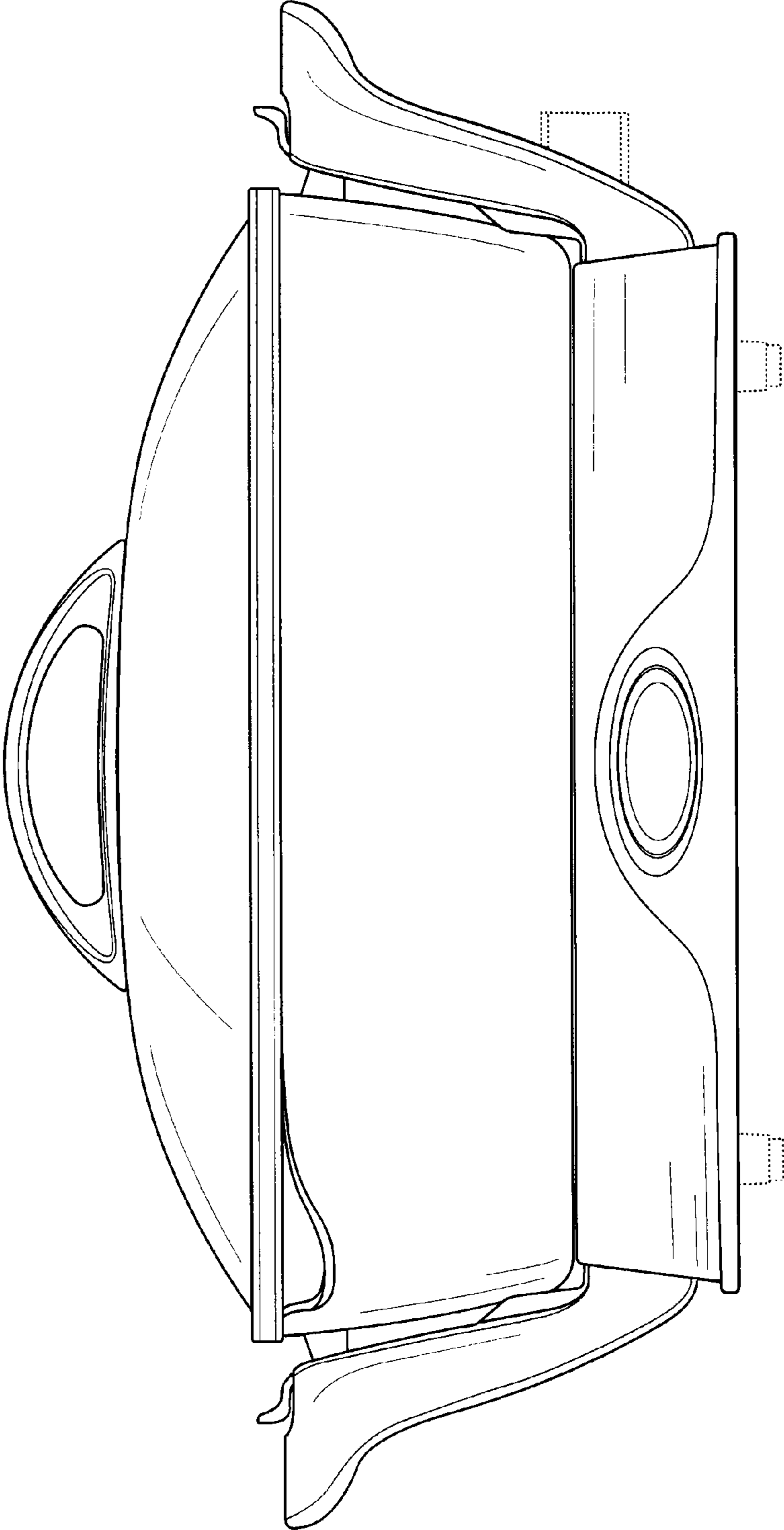


Fig. 1

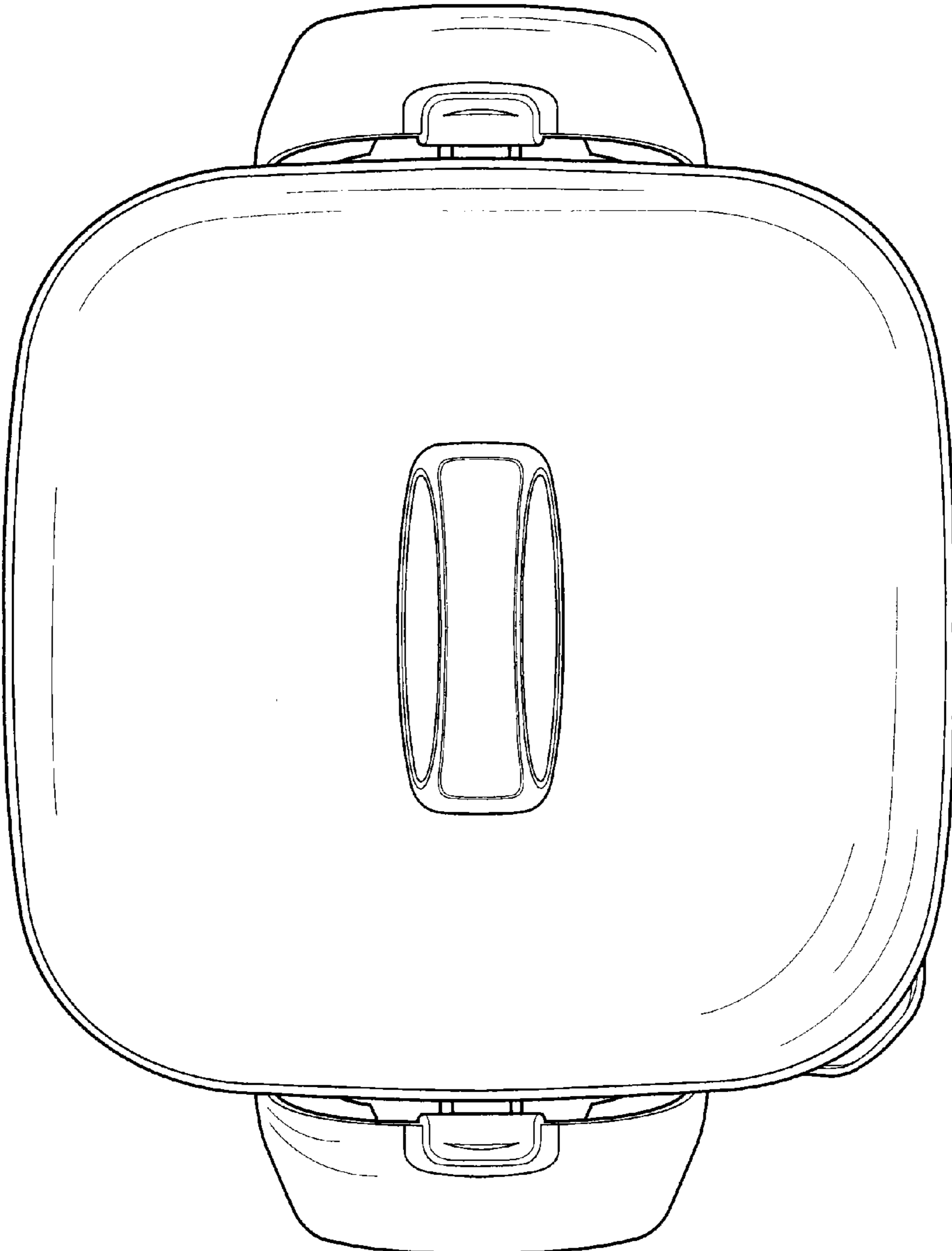


Fig. 2

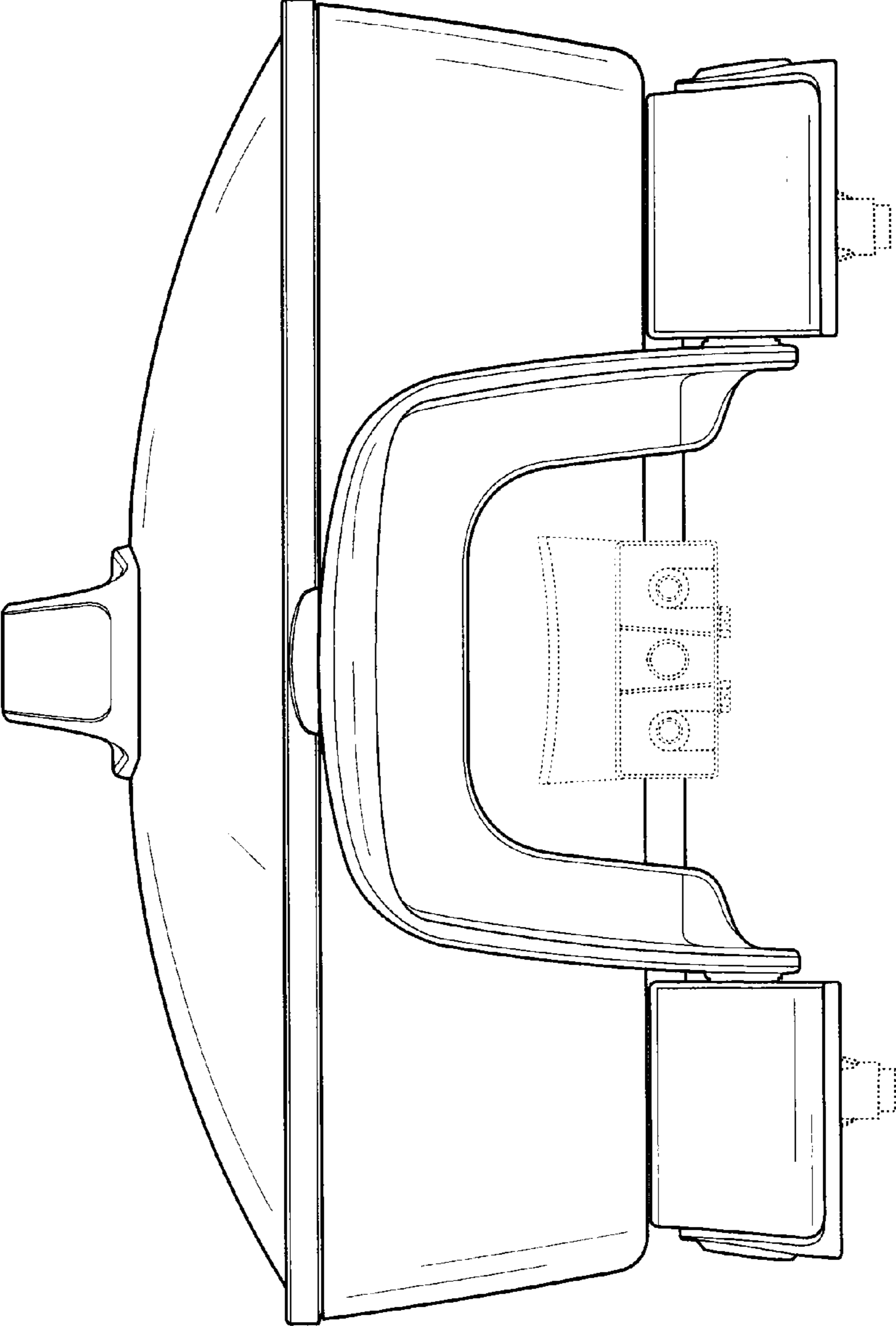


Fig. 3

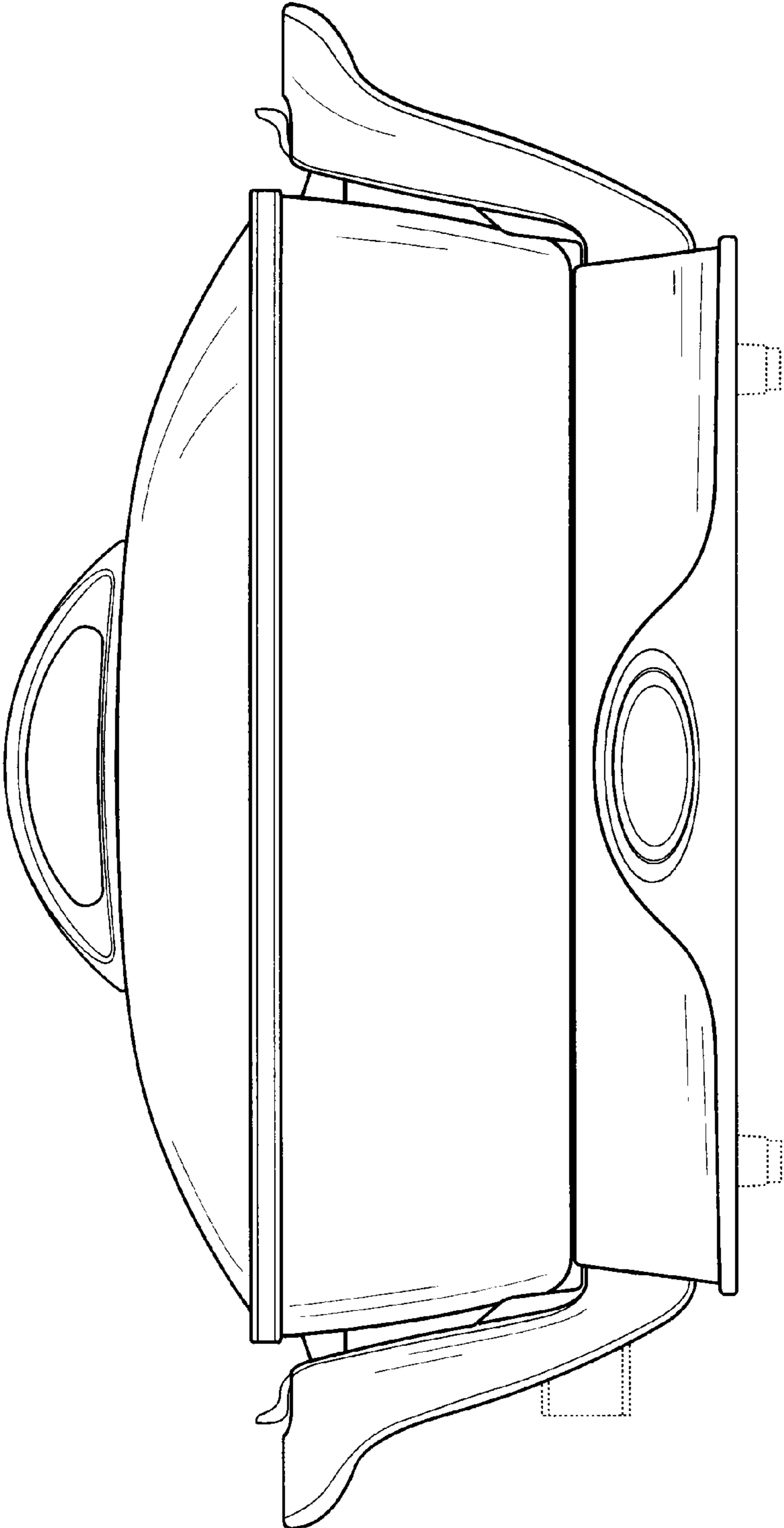


Fig. 4

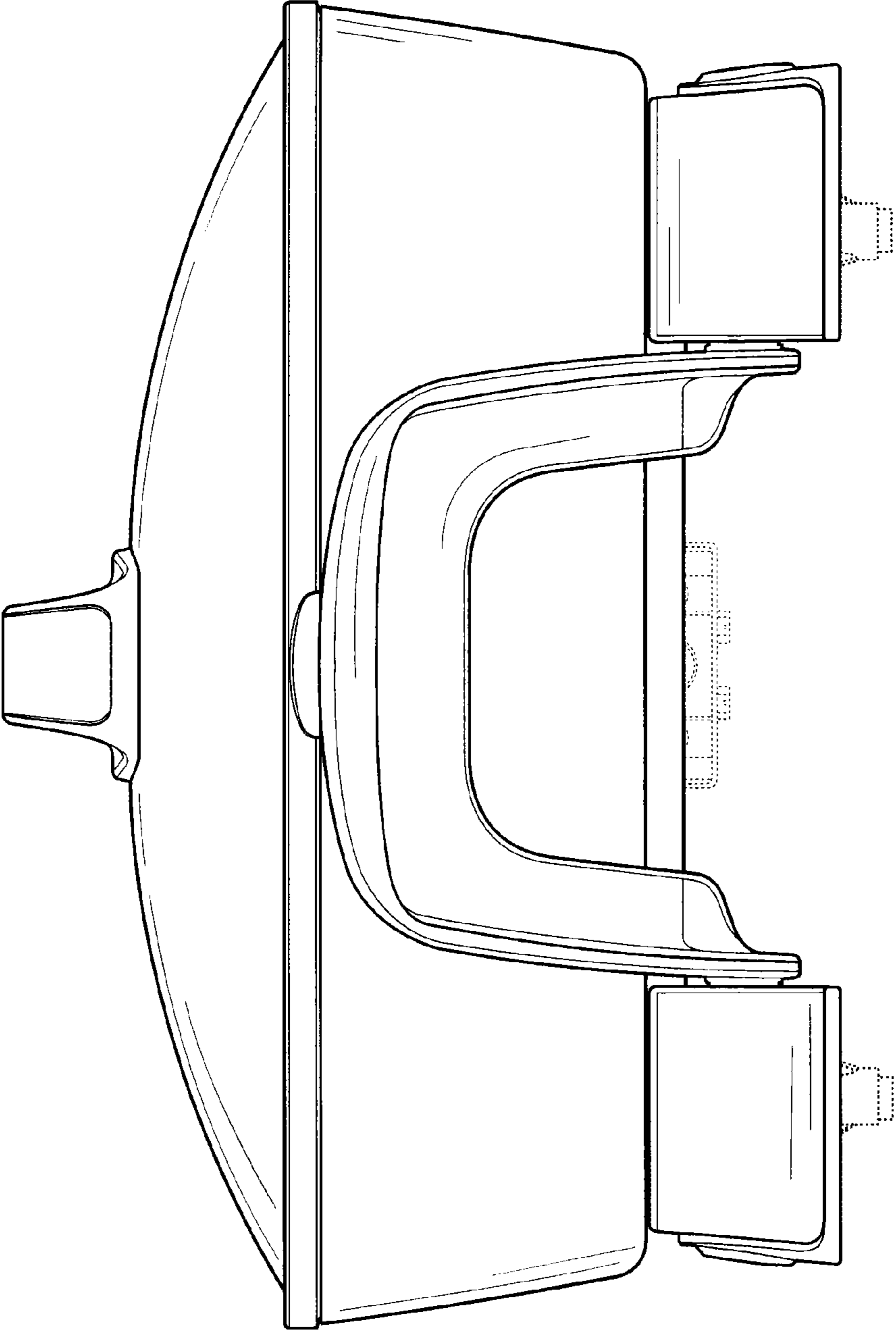


Fig. 5

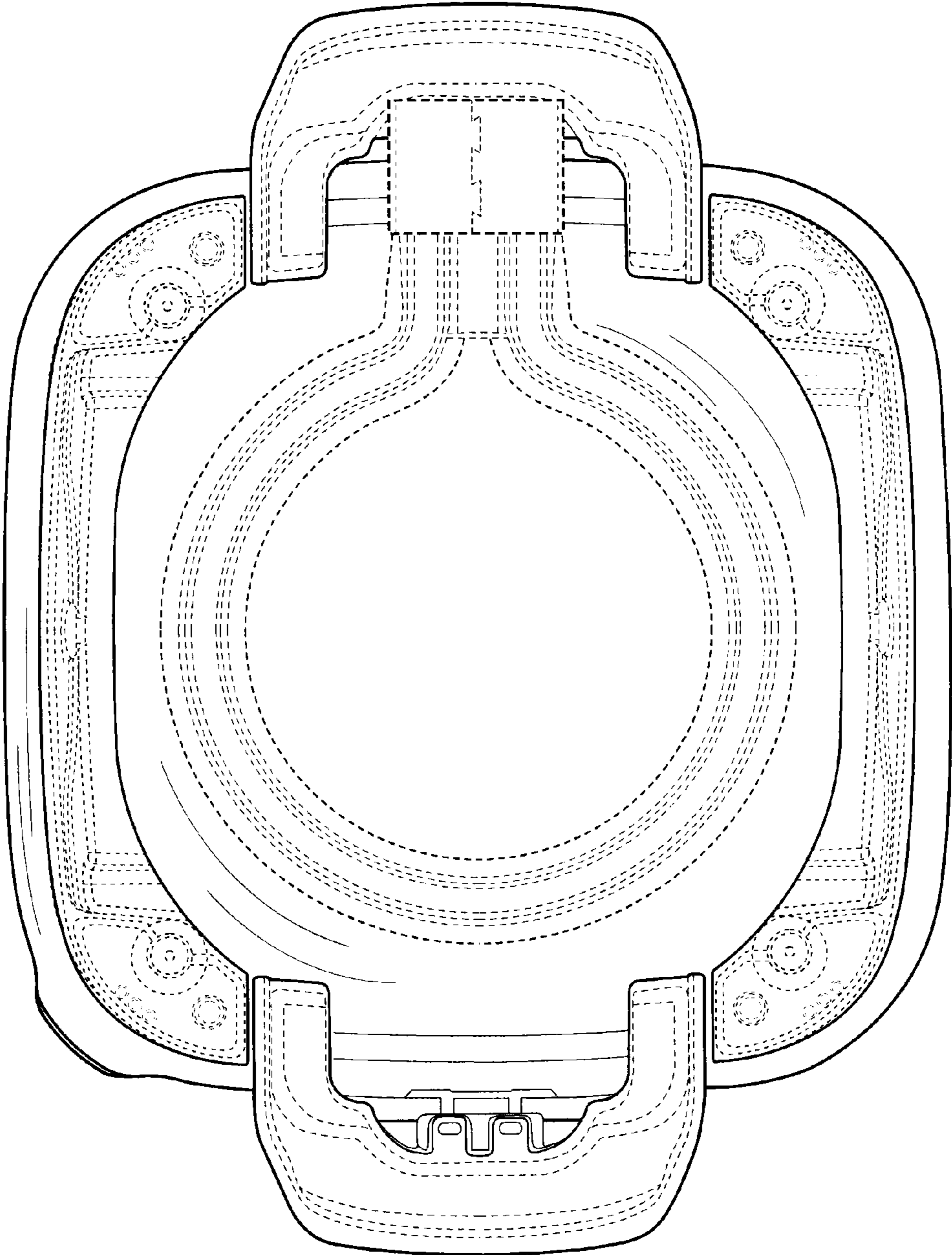


Fig. 6



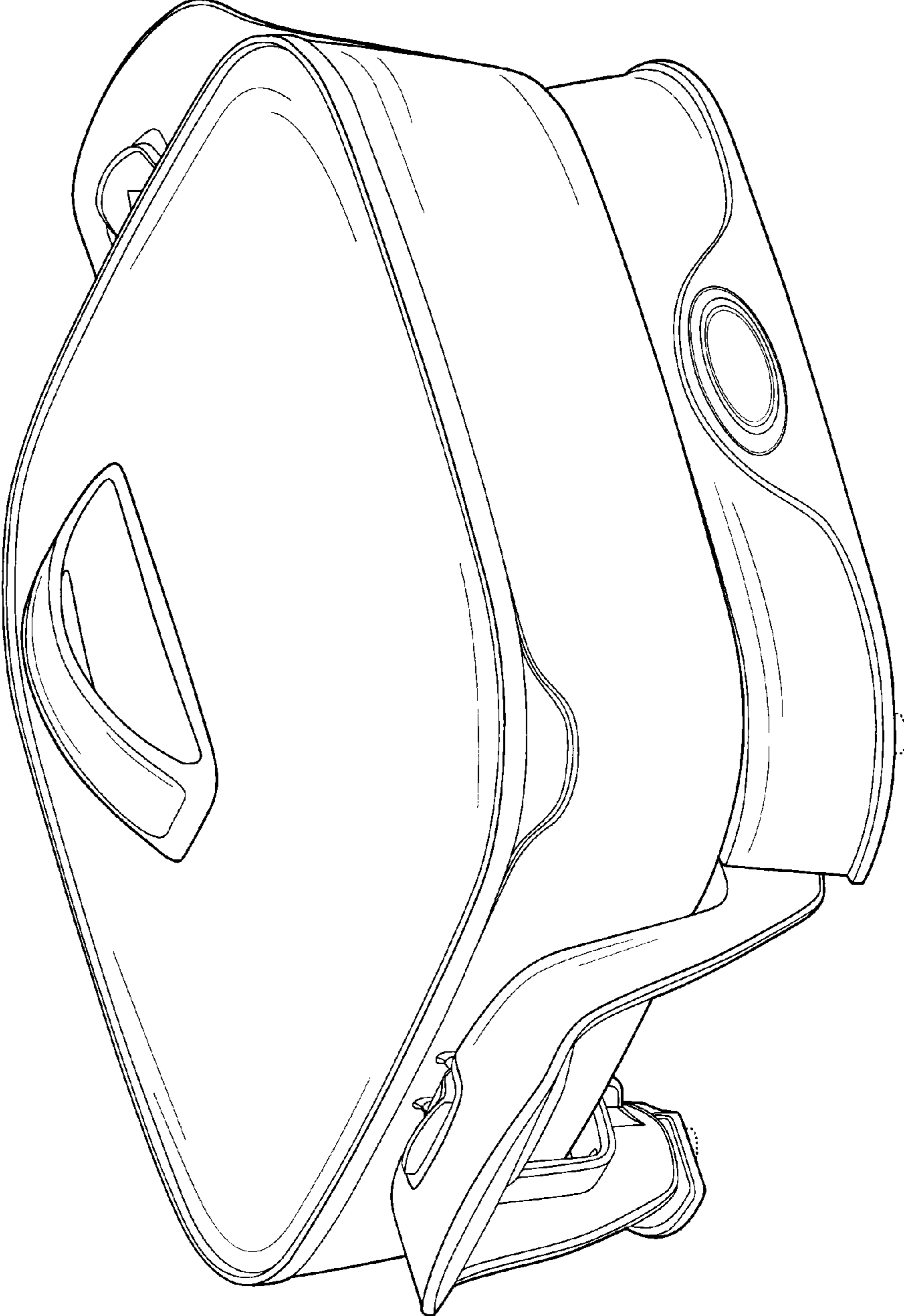


Fig. 7

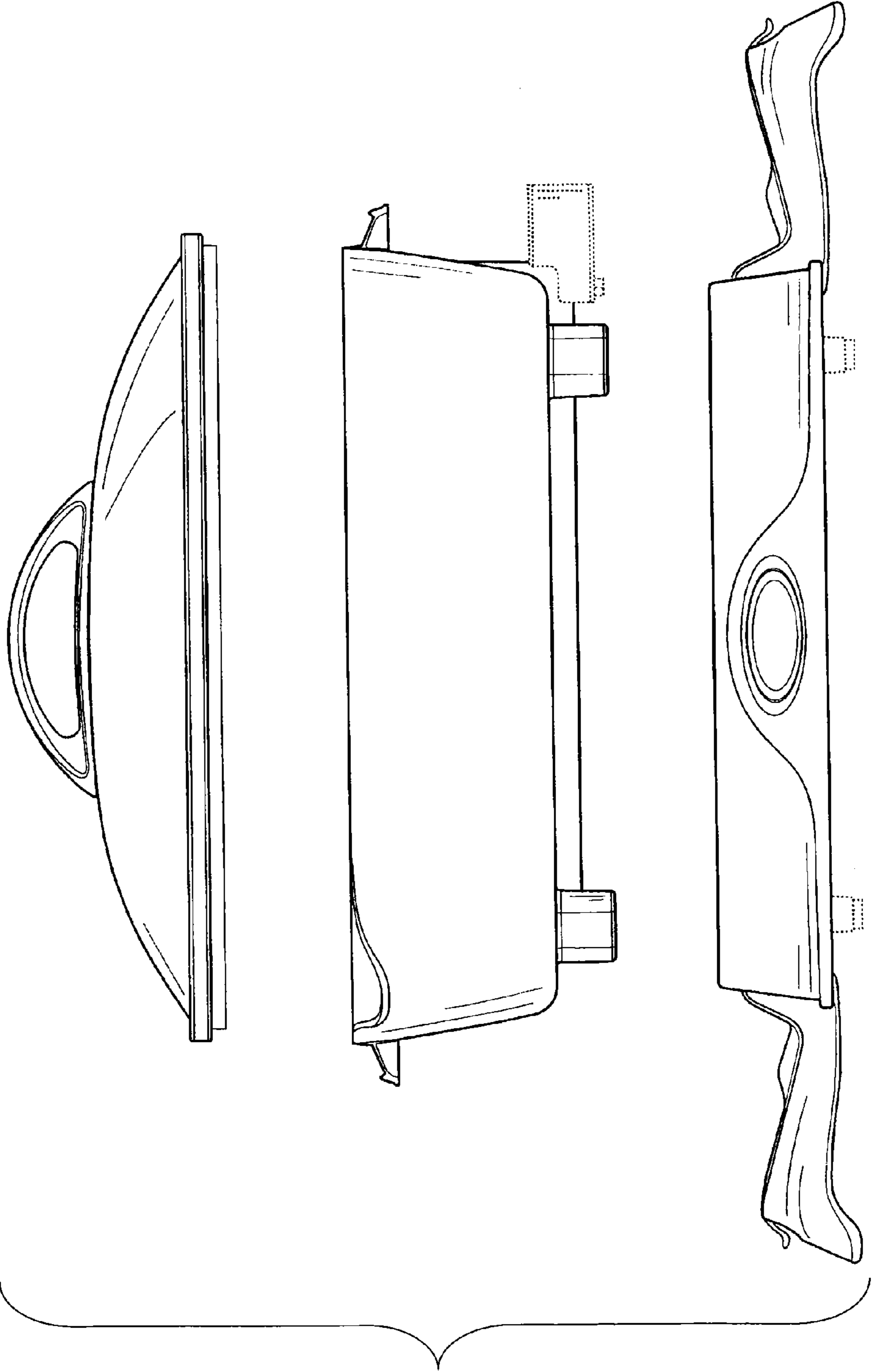


Fig. 8

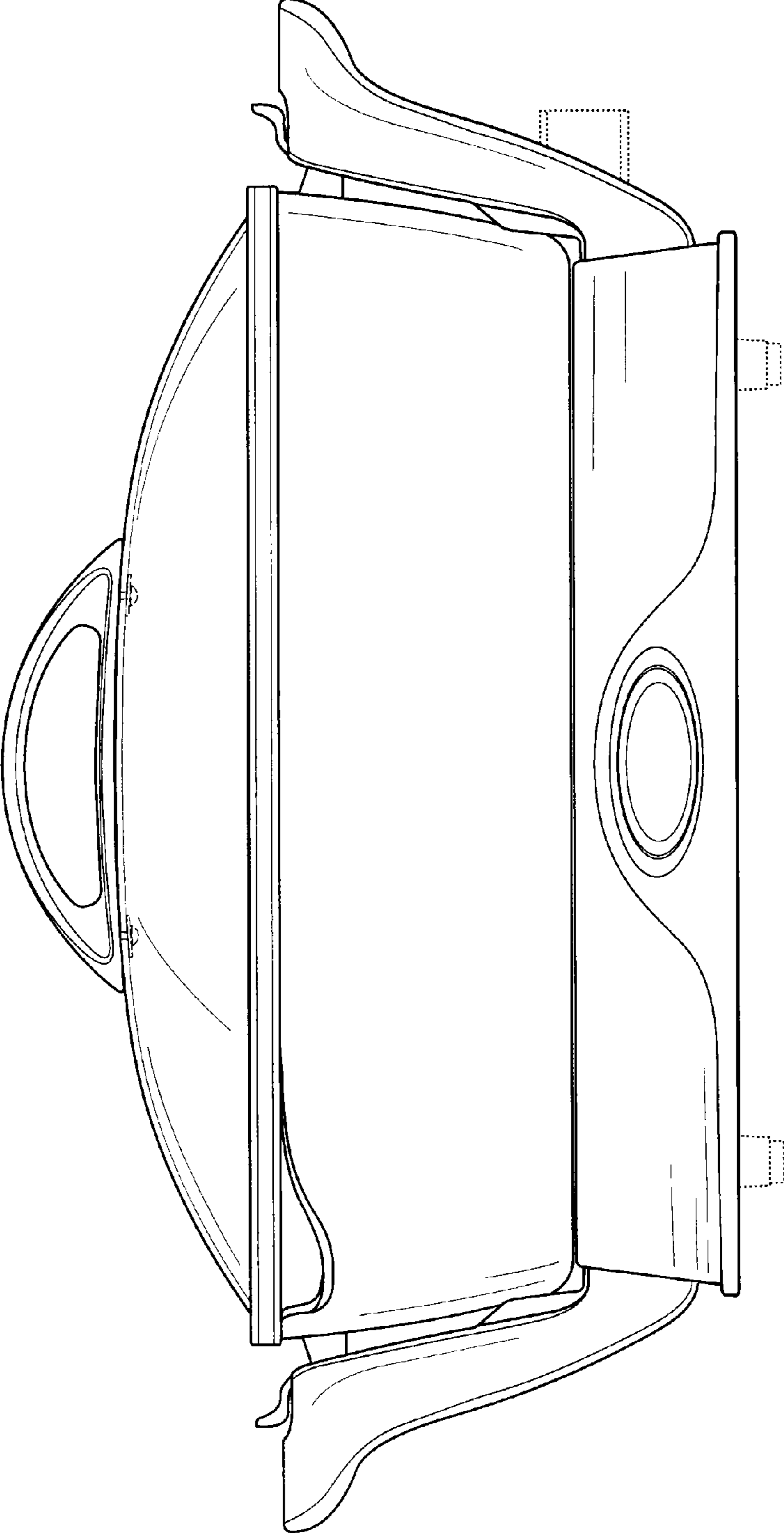


Fig. 9

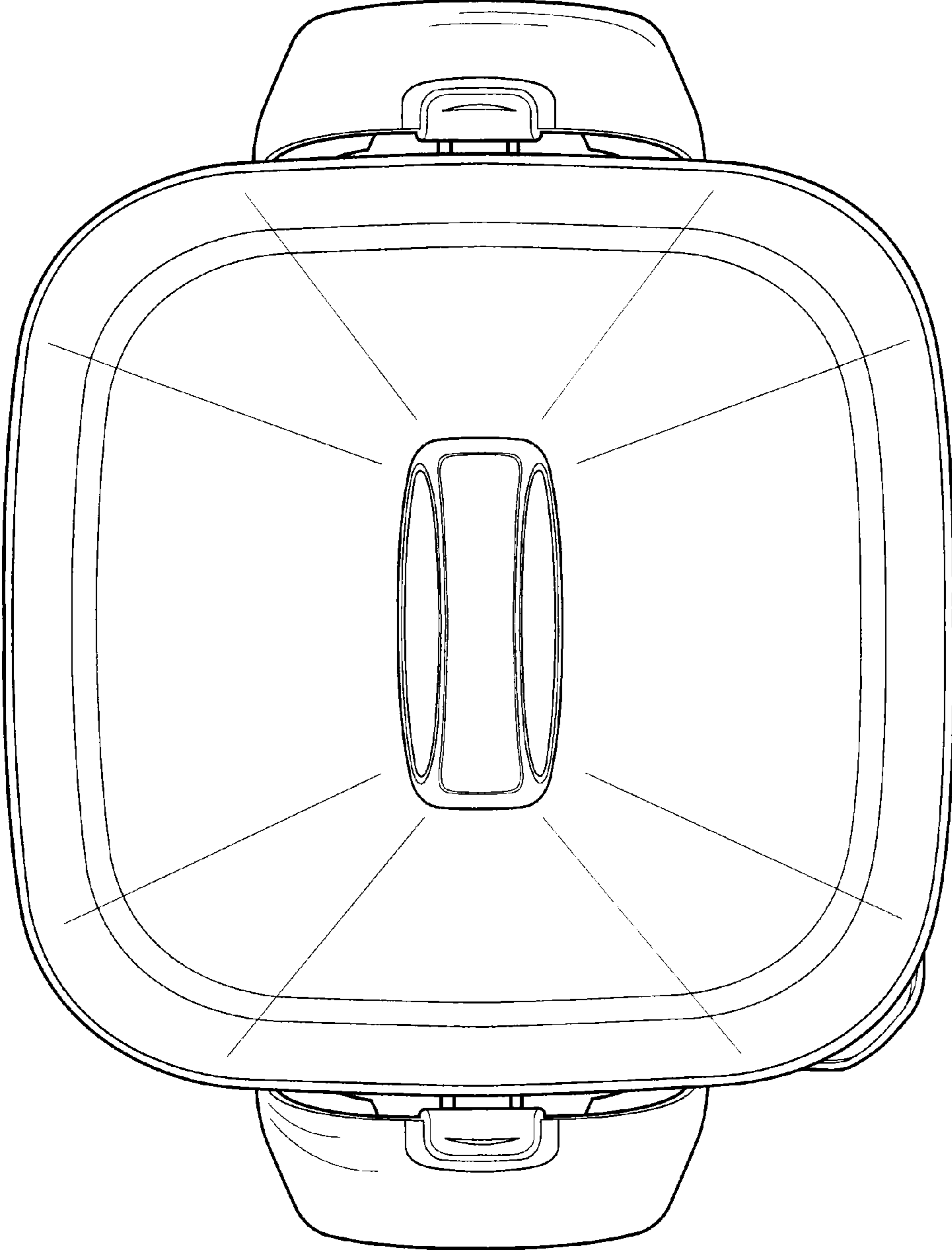


Fig. 10

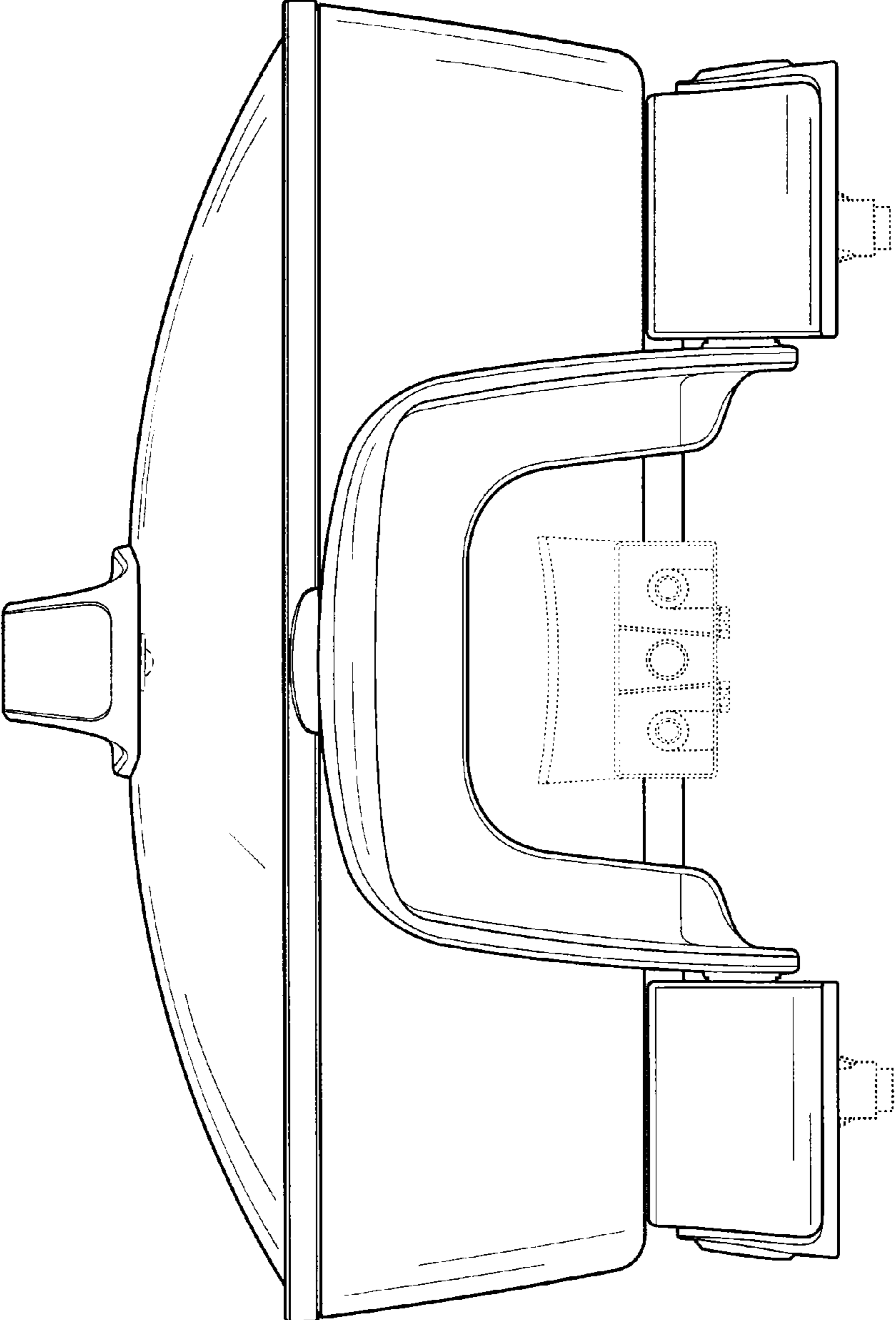


Fig. 11

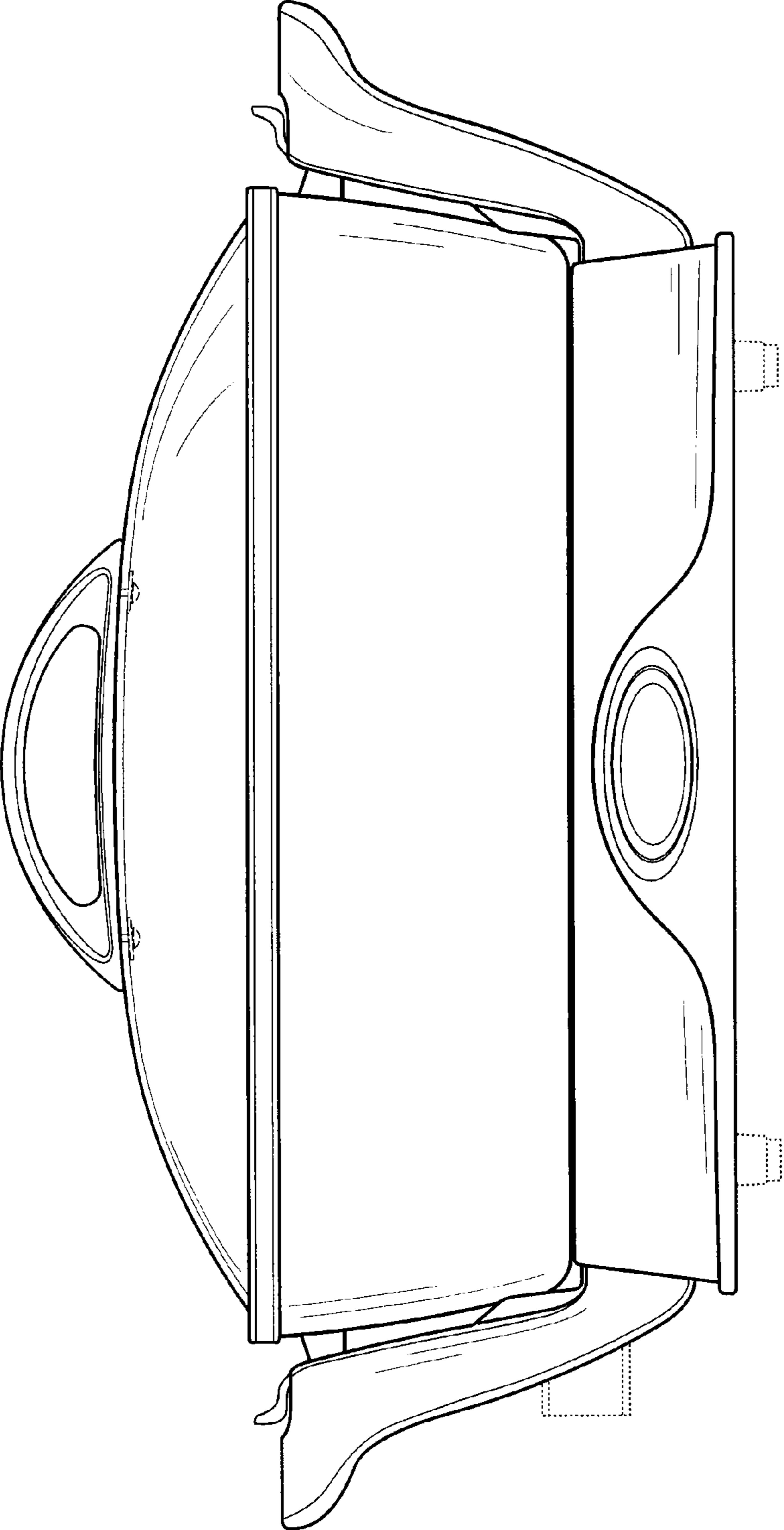


Fig. 12

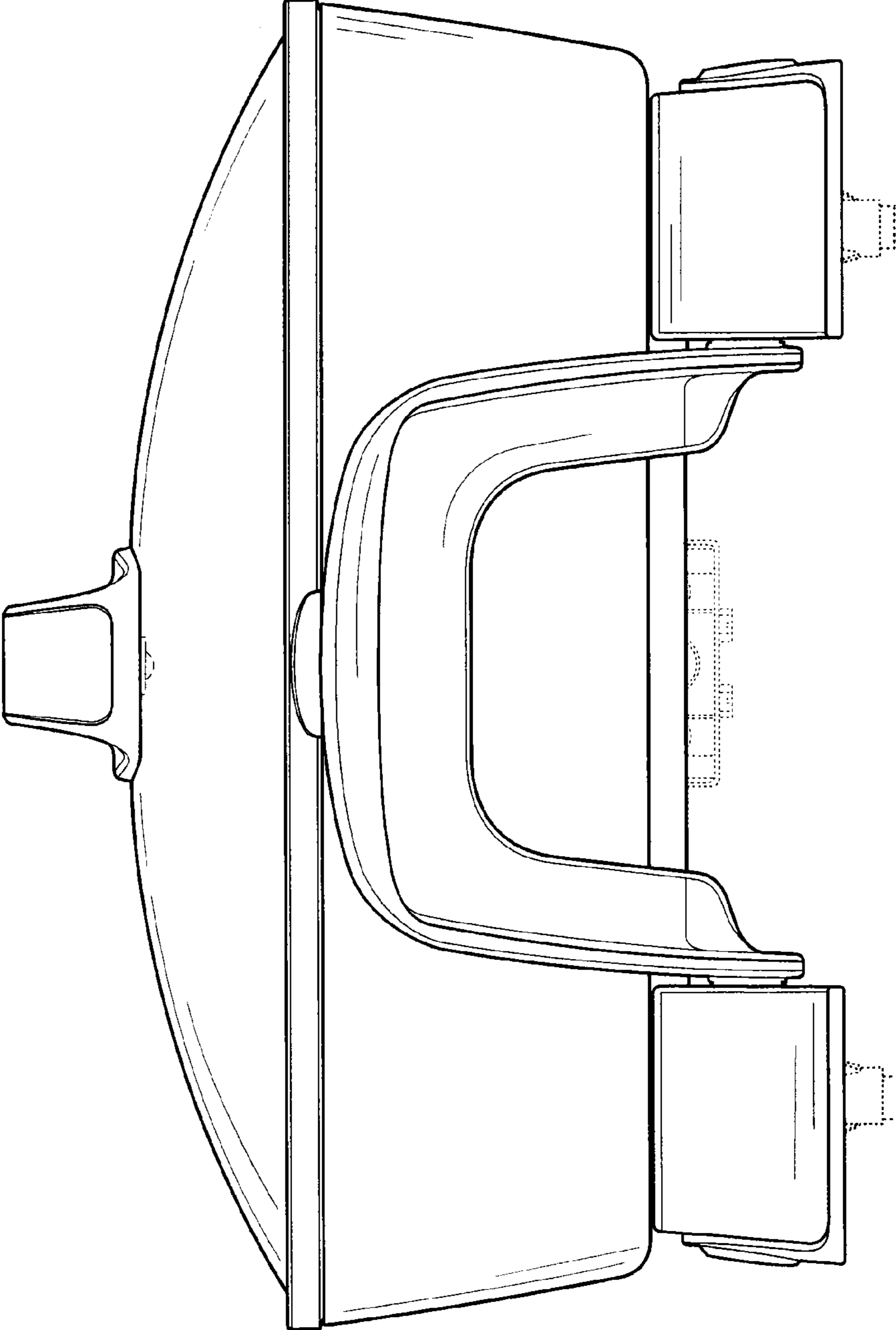


Fig. 13

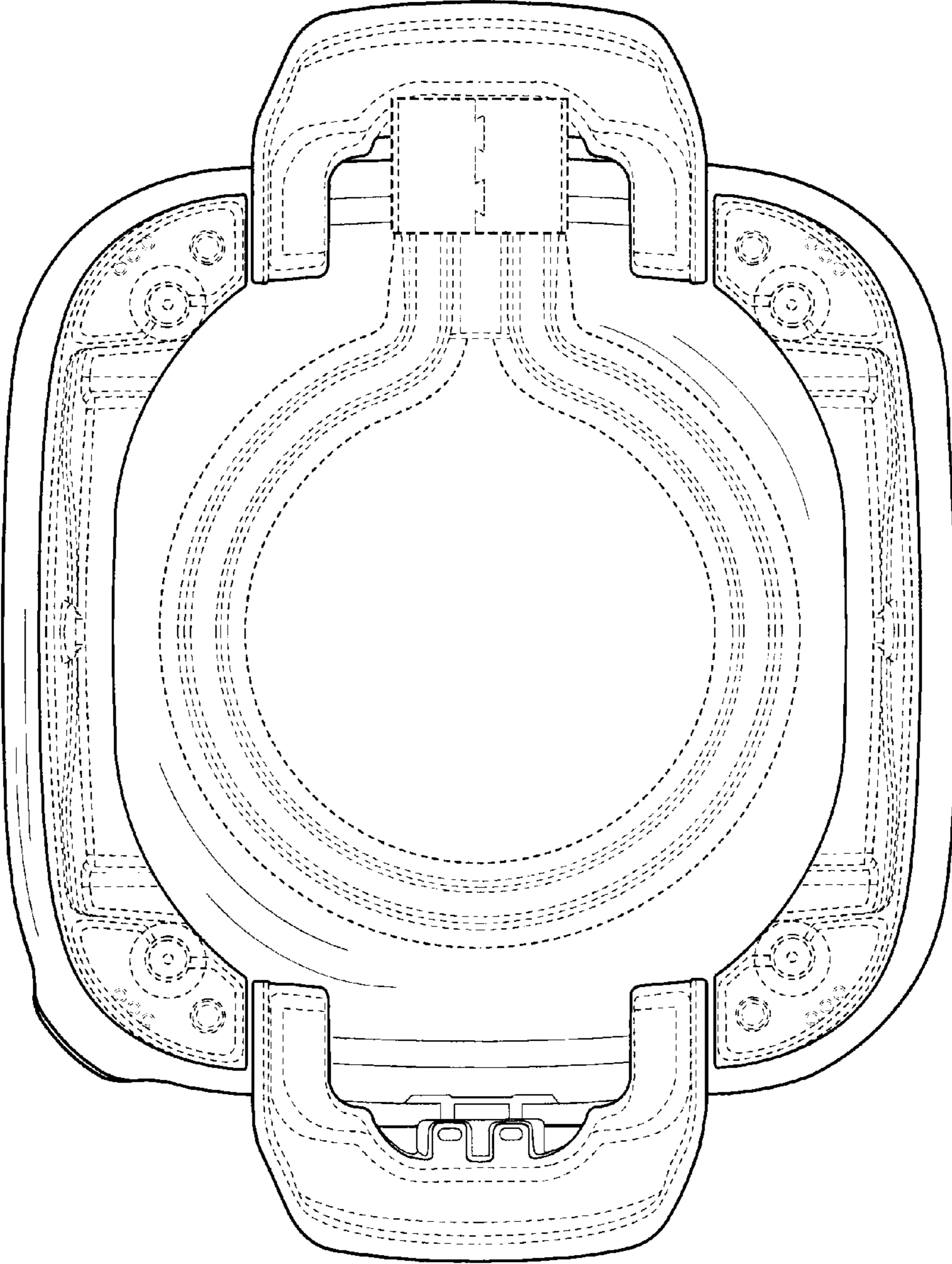


Fig. 14



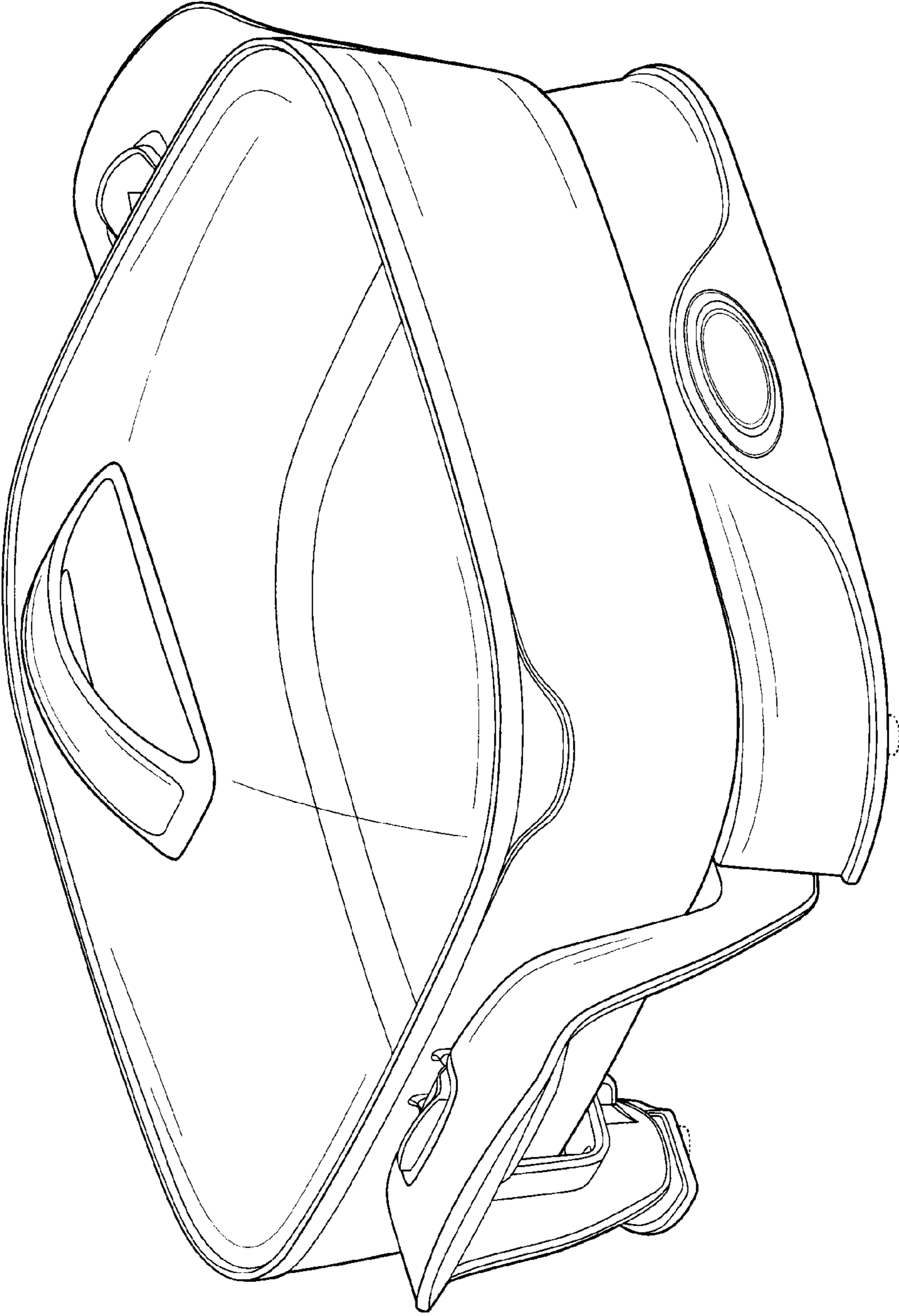


Fig. 15

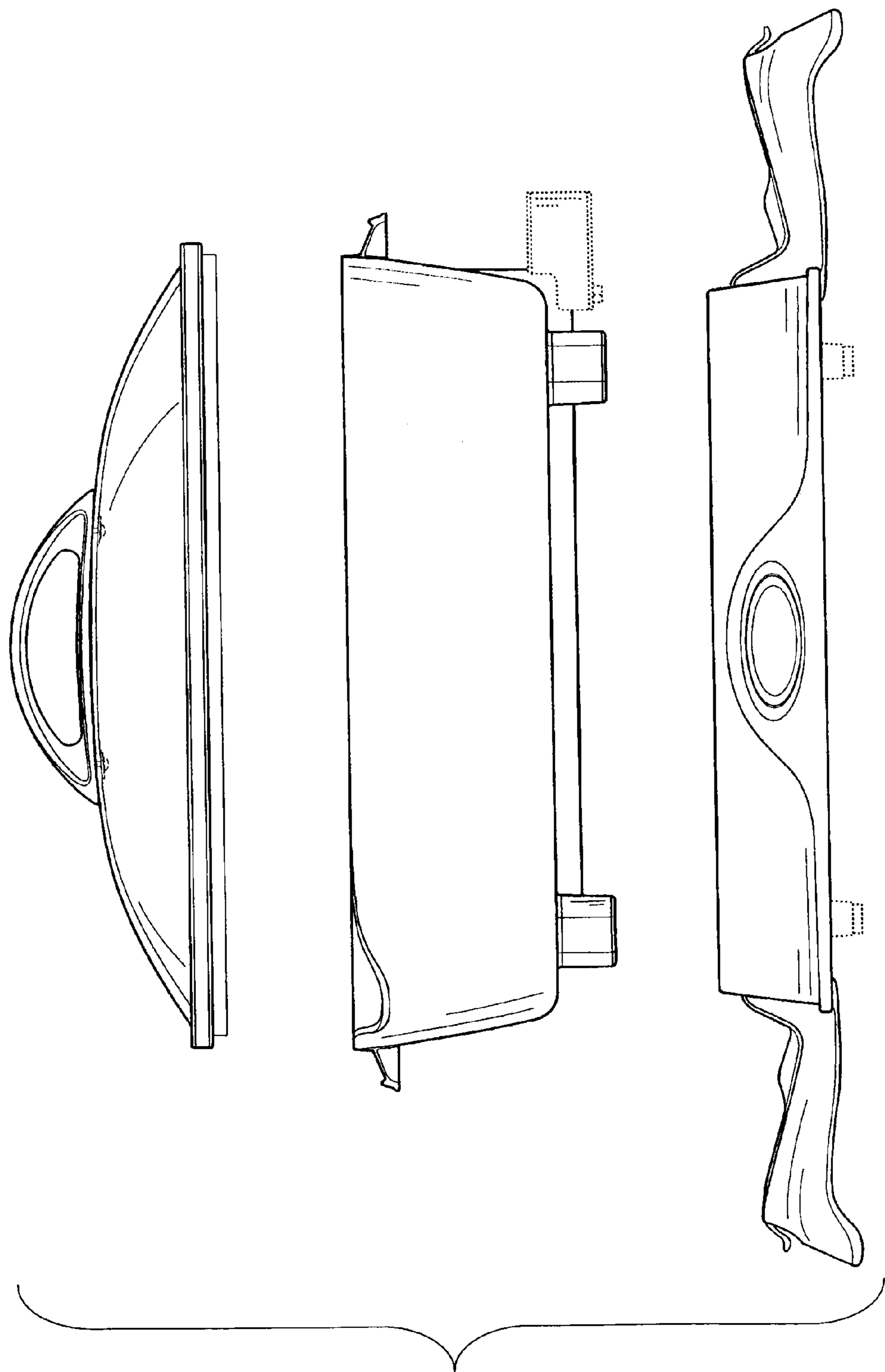


Fig. 16