

US00D658427S

(12) **United States Design Patent**
Cloutier et al.

(10) **Patent No.:** **US D658,427 S**

(45) **Date of Patent:** **** *May 1, 2012**

(54) **PERFORATED GRIDDLE**

(56) **References Cited**

(75) Inventors: **Andre Dean Cloutier**, Blaine, WA (US);
Adriana Phillips, Bellingham, WA
(US); **Debra Lynne Sasken-Duff**,
Blaine, WA (US)

(73) Assignee: **Magellan Group Ltd.**, Blaine, WA (US)

(*) Notice: This patent is subject to a terminal disclaimer.

(**) Term: **14 Years**

(21) Appl. No.: **29/396,707**

(22) Filed: **Jul. 6, 2011**

(51) **LOC (9) Cl.** **07-02**

(52) **U.S. Cl.** **D7/360**

(58) **Field of Classification Search** D3/306-307;
D7/323, 329-332, 337, 339, 346-347, 350.1-350.4,
D7/354-363, 391, 393, 395, 402, 408-409,
D7/505, 538, 542, 549, 587, 667; D23/261;
D30/161; 99/324-325, 331-332, 337-340,
99/396, 400-418, 425, 444-446, 450; 119/161,
119/166; 126/9 R, 25 A, 25 R, 41 R, 166,
126/275 R, 332, 380.1, 390.1; 206/501-505,
206/507-508; 219/400, 405, 435-442, 620-624,
219/725, 730-735; 220/485, 491, 573.1-573.5,
220/759, 912; 426/438, 441, 523

See application file for complete search history.

U.S. PATENT DOCUMENTS

201,959	A *	4/1878	Stockwell et al.	220/485
573,045	A *	12/1896	Snyder	126/275 R
D327,534	S *	6/1992	Manville et al.	D23/261
D351,489	S *	10/1994	Helfrick	D30/161
D395,548	S *	6/1998	Morissette	D3/307
D416,165	S *	11/1999	Zemel	D7/359
D426,684	S *	6/2000	Kenney	D30/161
D621,655	S *	8/2010	Zemel	D7/409
D624,787	S *	10/2010	Adams et al.	D7/409
D635,825	S *	4/2011	Borovicka et al.	D7/409
D636,998	S *	5/2011	Post et al.	D3/306
D639,603	S *	6/2011	Degnan	D7/360
D640,501	S *	6/2011	Zemel	D7/409

* cited by examiner

Primary Examiner — Ricky Pham

(74) *Attorney, Agent, or Firm* — Dwayne E. Rogge; Hughes Law Firm, PLLC

(57) **CLAIM**

The ornamental design for a perforated griddle, as shown and described.

DESCRIPTION

FIG. 1 is an isometric view of a perforated griddle showing our new design.

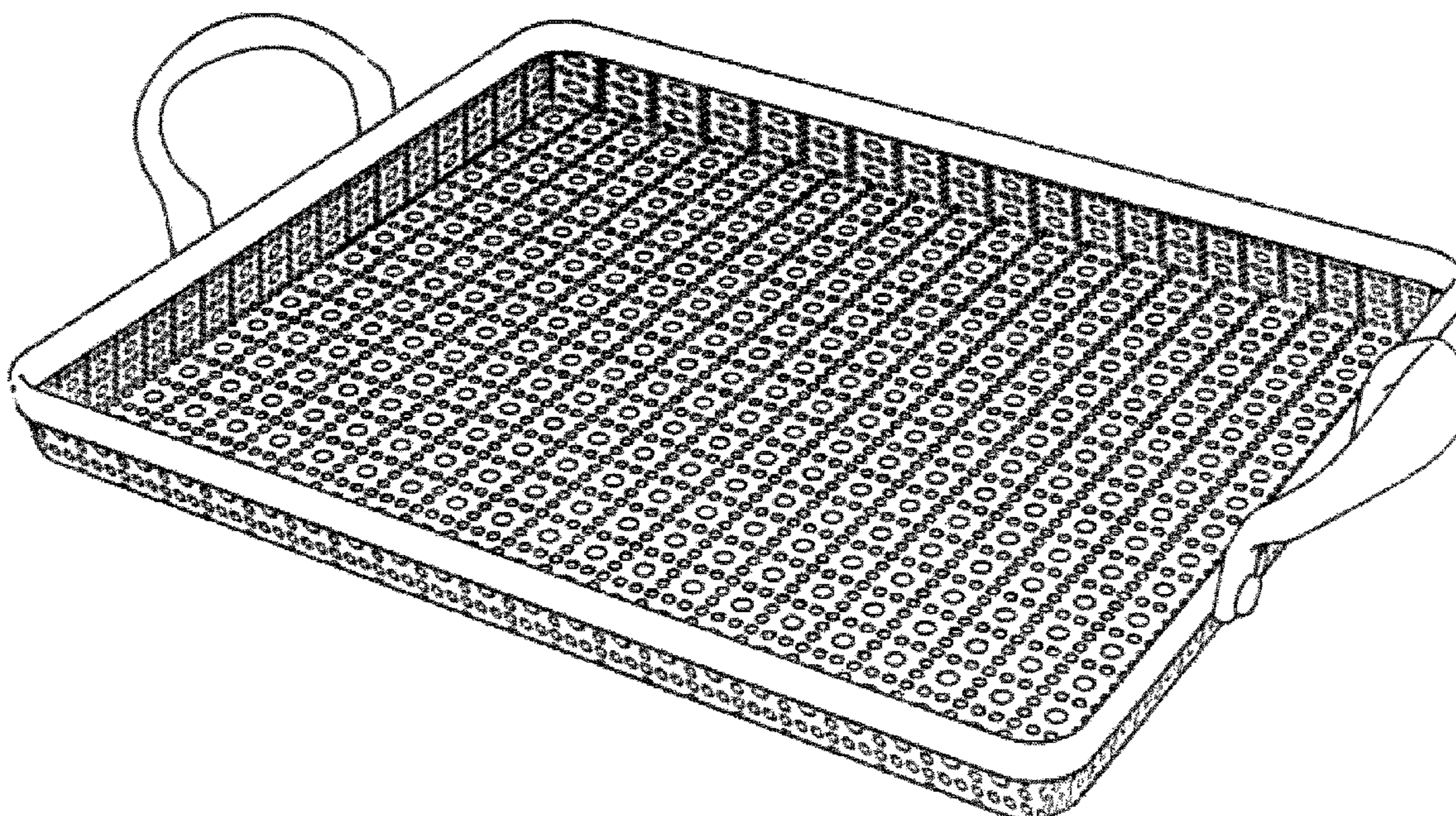
FIG. 2 is a top view thereof.

FIG. 3 is a bottom view thereof.

FIG. 4 is a side view thereof with both sides being substantially identical; and,

FIG. 5 is an end view thereof with both sides being substantially identical.

1 Claim, 5 Drawing Sheets



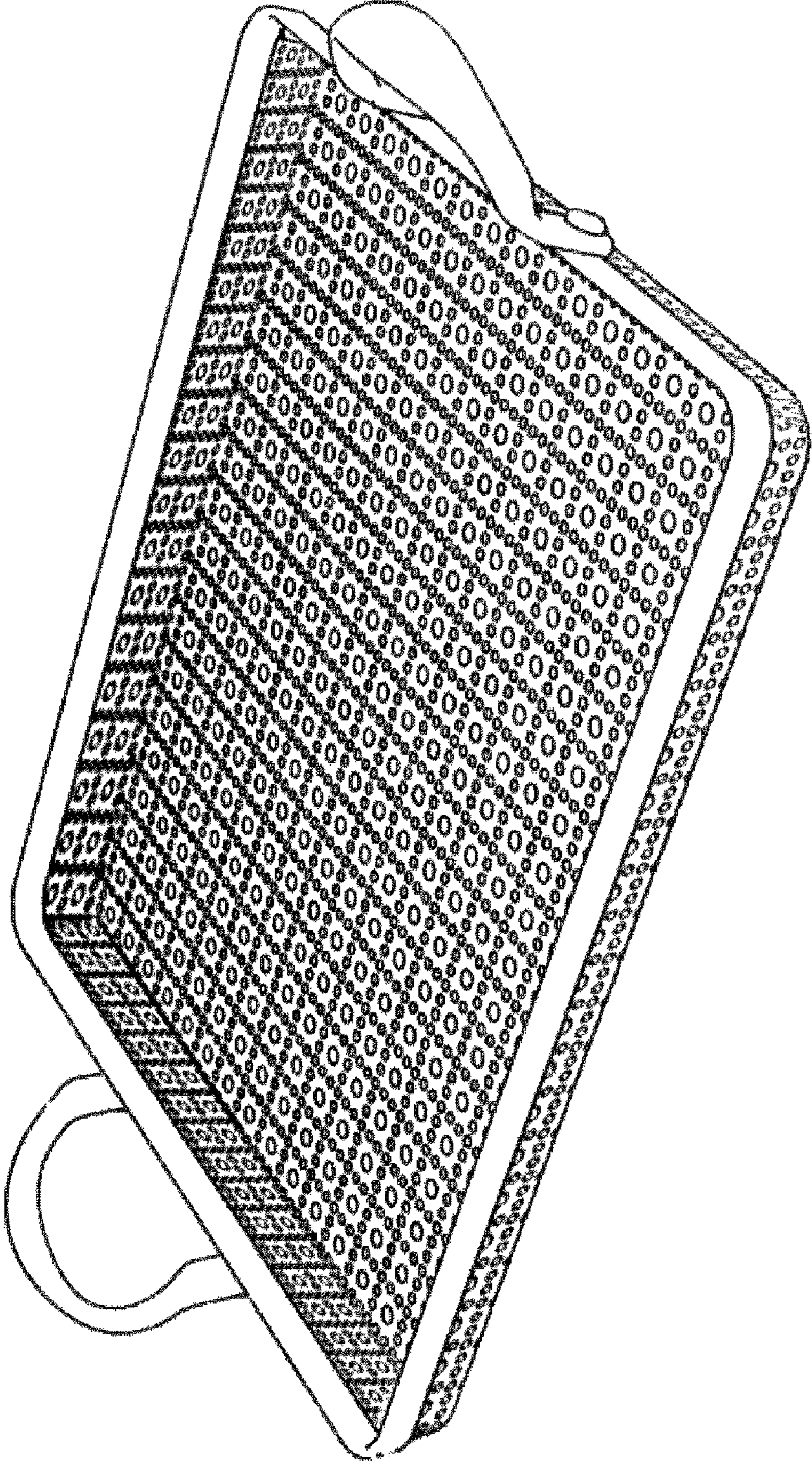


Fig. 1

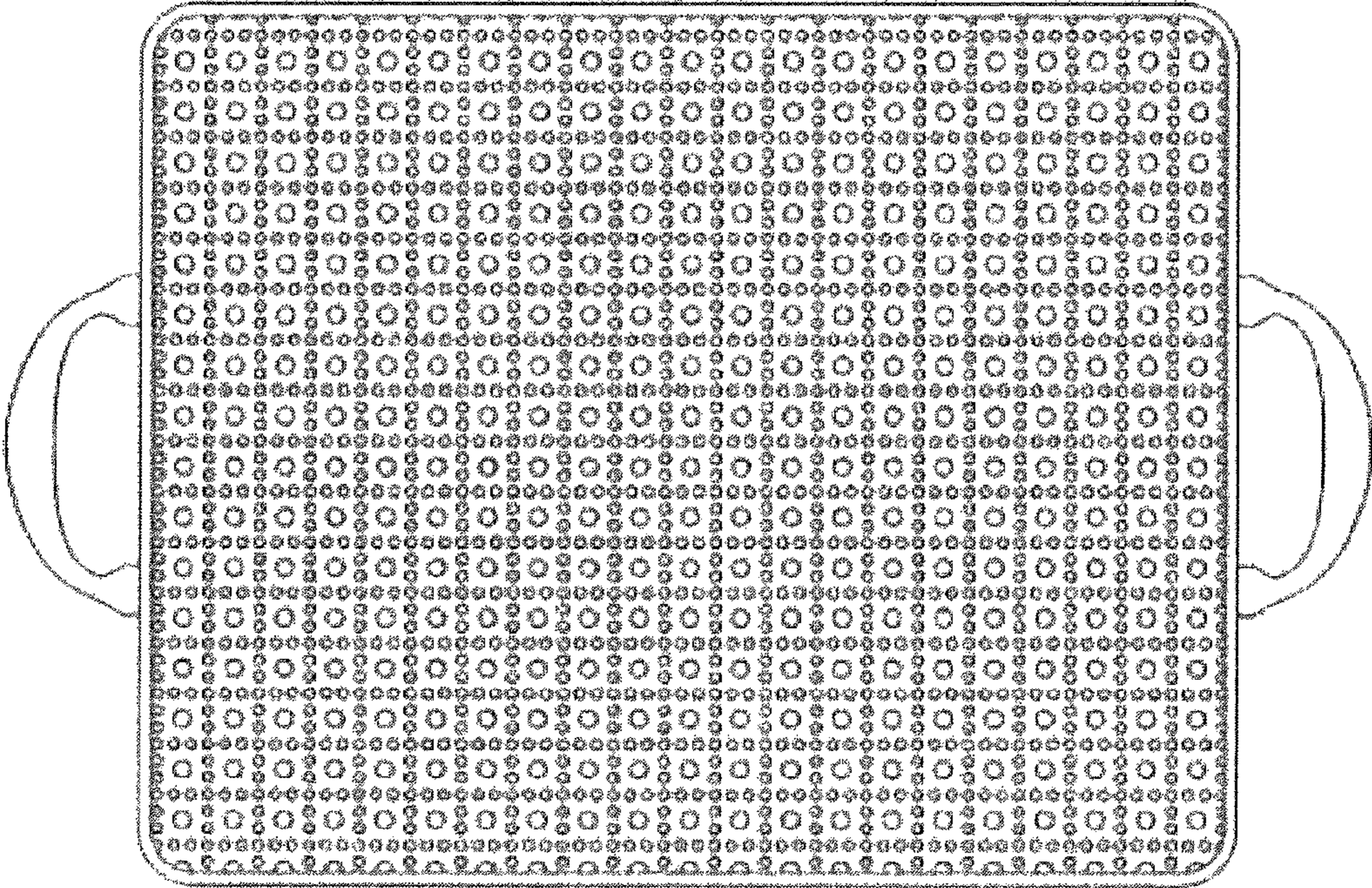


Fig. 2

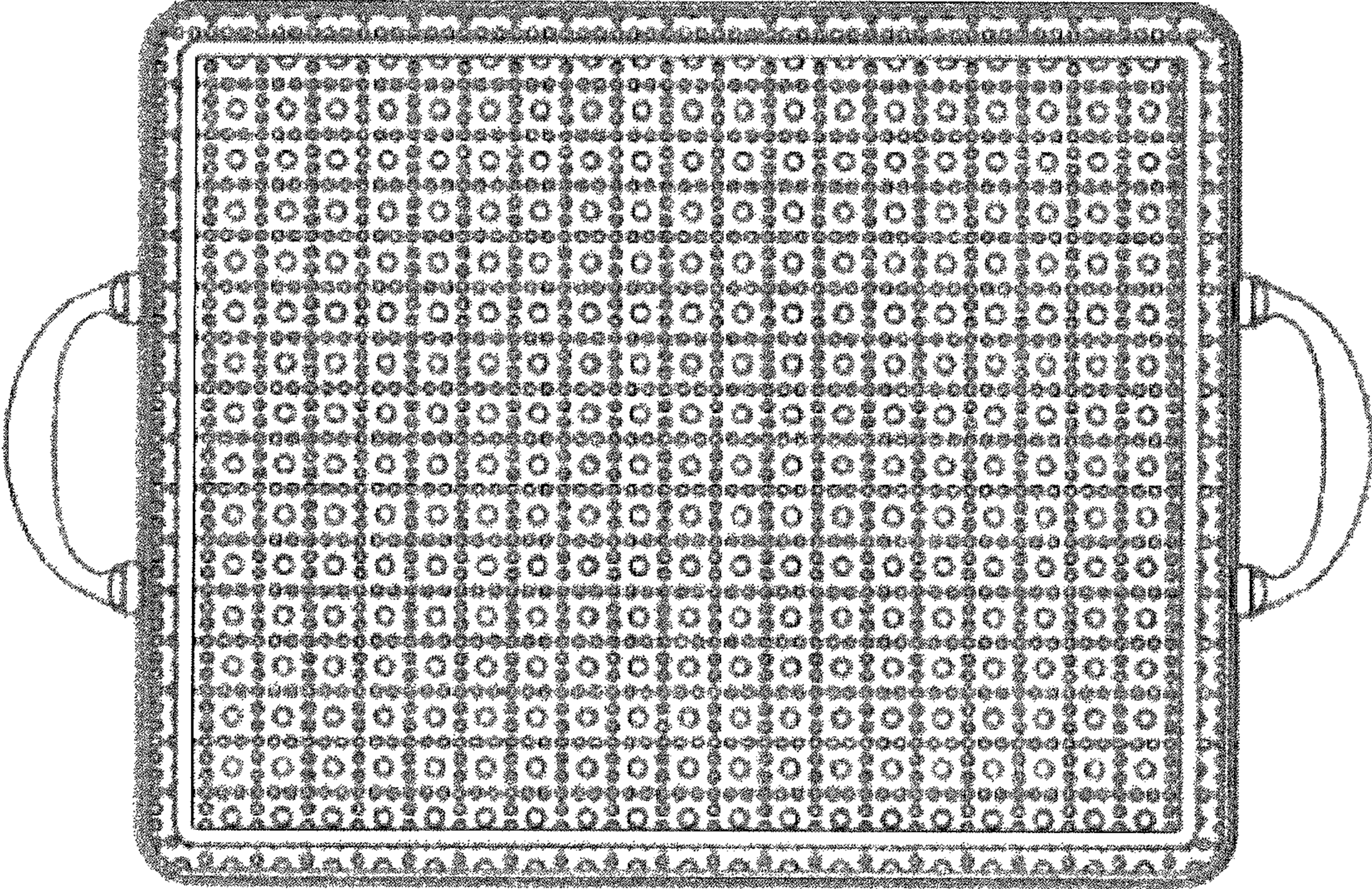


Fig. 3

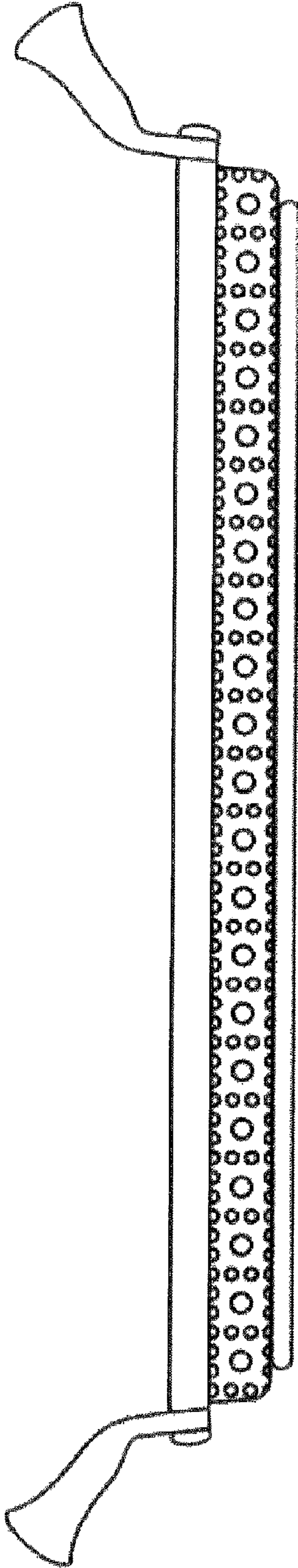


Fig. 4

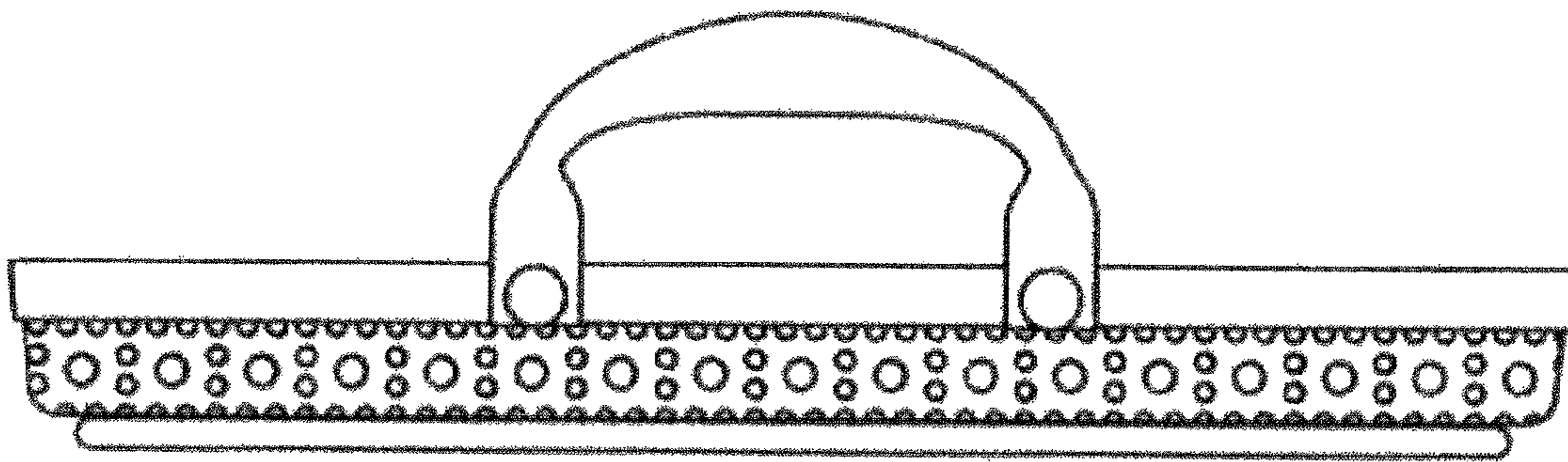


Fig. 5