



US00D658424S

(12) **United States Design Patent**
Difante

(10) **Patent No.:** **US D658,424 S**

(45) **Date of Patent:** **** May 1, 2012**

(54) **COMBINED COOKING DEVICE**

(76) Inventor: **Agostino Difante**, San Clemente, CA
(US)

(**) Term: **14 Years**

(21) Appl. No.: **29/395,088**

(22) Filed: **Nov. 21, 2011**

(51) **LOC (9) Cl.** **07-02**

(52) **U.S. Cl.** **D7/357; D7/354; D7/356**

(58) **Field of Classification Search** D7/307,
D7/323, 329–332, 339, 346–347, 350.1–350.4,
D7/353–367, 391, 393, 395, 402, 406, 409,
D7/538, 542; 99/324–325, 331–332, 337–343,
99/369, 400–418, 422, 425, 444, 451, 483;
126/37 R, 261, 374.1, 378.1; 206/501–505,
206/507–508; 219/400, 405, 429–442, 620–624,
219/725, 730–735; 220/203.05, 203.07,
220/203.09, 298, 315–316, 573.1–573.5,
220/912; 426/438, 441

See application file for complete search history.

(56) **References Cited**

U.S. PATENT DOCUMENTS

D130,253	S	*	11/1941	Pearce	D7/360
3,285,159	A	*	11/1966	Greene	99/343
3,508,485	A	*	4/1970	Munsey	99/331
D226,940	S	*	5/1973	Lax	D7/360
6,263,787	B1	*	7/2001	Tseng et al.	99/413
6,269,737	B1	*	8/2001	Rigney et al.	99/339
6,314,869	B1	*	11/2001	Bourgeois, Jr.	99/340
6,446,545	B2	*	9/2002	Rigney	99/339
D481,903	S	*	11/2003	Hester	D7/332
D486,348	S	*	2/2004	Zhu	D7/332
6,711,992	B1	*	3/2004	McLemore	99/413
D505,589	S	*	5/2005	Hoff et al.	D7/409
6,941,857	B2	*	9/2005	McLemore	99/413
7,112,764	B2	*	9/2006	Garcia	219/429

D552,410	S	*	10/2007	Hoff et al.	D7/356
D553,424	S	*	10/2007	Lin	D7/354
D563,719	S	*	3/2008	Fitzgerald	D7/356
D585,236	S	*	1/2009	McGinn	D7/360
D612,193	S	*	3/2010	Darling	D7/354

(Continued)

Primary Examiner — Ricky Pham

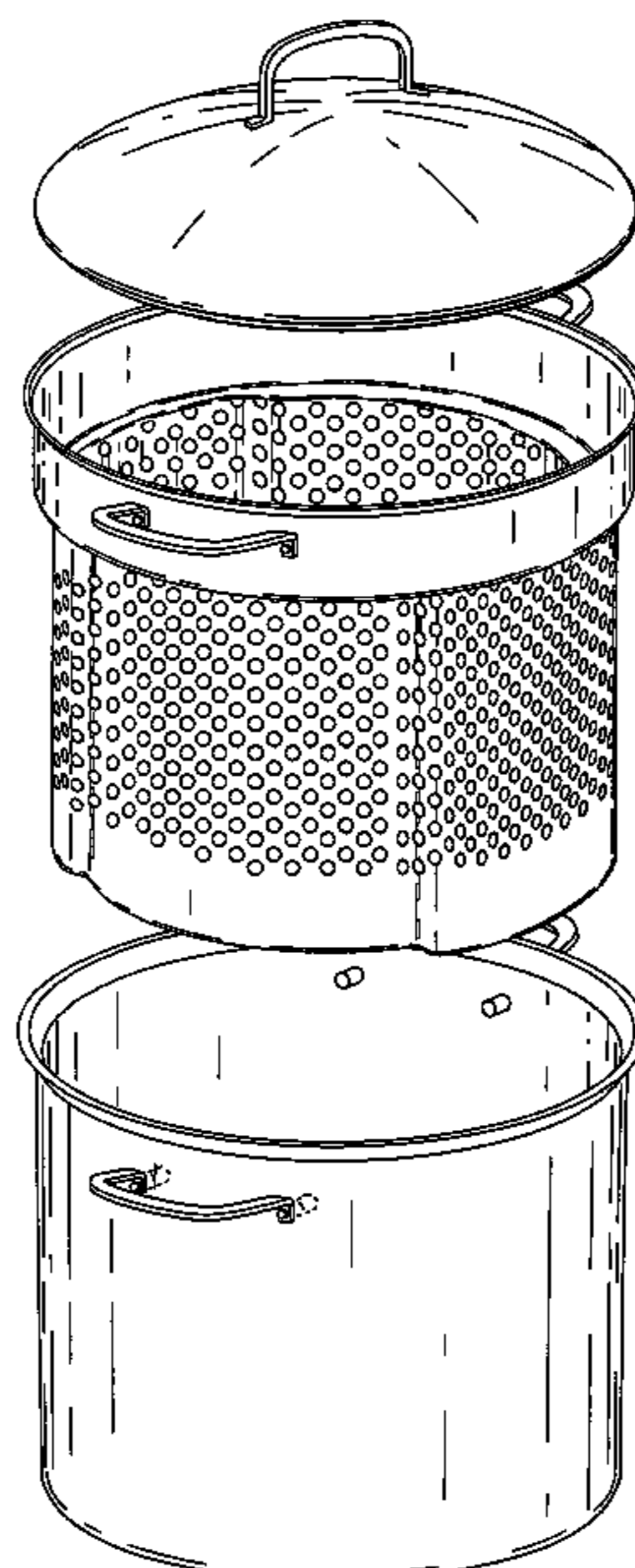
(57) **CLAIM**

The ornamental design for a combined cooking device, as shown and described.

DESCRIPTION

FIG. 1 is an exploded perspective view of a combined cooking device showing my new design;
 FIG. 2 is a perspective view of the assembled combined cooking device of my new design;
 FIG. 3 is a front elevational view of my design, the rear elevational view being a mirror image thereof;
 FIG. 4 is a right side elevational view of my design, the left side elevational view being a mirror image thereof;
 FIG. 5 is a top plan view of my design.
 FIG. 6 is bottom plan view of my design.
 FIG. 7 is a top view of the stock pot of my design with the lid removed;
 FIG. 8 is a top plan view of the lid of my design;
 FIG. 9 is a bottom plan view of the lid of my design;
 FIG. 10 is a front elevational view of the strainer of my design, the rear elevational view being a mirror image thereof;
 FIG. 11 is a right side elevational view of my design, the left side elevational view being a mirror image thereof;
 FIG. 12 is a top view of the strainer of my design; and,
 FIG. 13 is a bottom view of the strainer thereof.
 The broken lines shown in the drawings are for illustrative purposes only and form no part of the claimed design.

1 Claim, 8 Drawing Sheets



US D658,424 S

Page 2

U.S. PATENT DOCUMENTS

D612,658 S *	3/2010	Schenk	D7/307	8,067,716 B1 *	11/2011	Lloyd	219/439
D635,393 S *	4/2011	Nakatani	D7/360	D653,073 S *	1/2012	Difante	D7/357
D640,896 S *	7/2011	Molayem	D7/356	D653,074 S *	1/2012	Difante	D7/357
D642,421 S	8/2011	Difante		2002/0038802 A1 *	4/2002	Tersch	220/573.4

* cited by examiner

FIG. 1

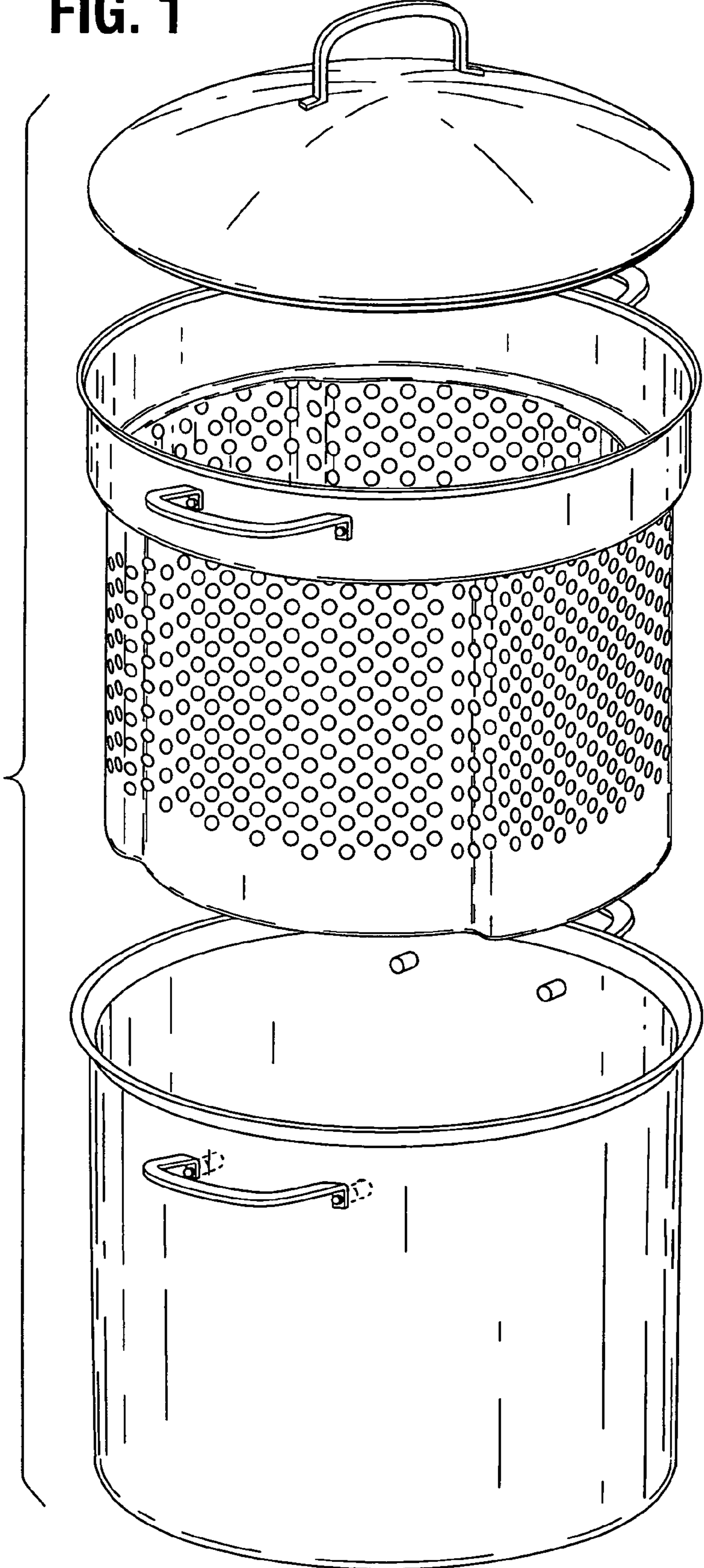


FIG. 2

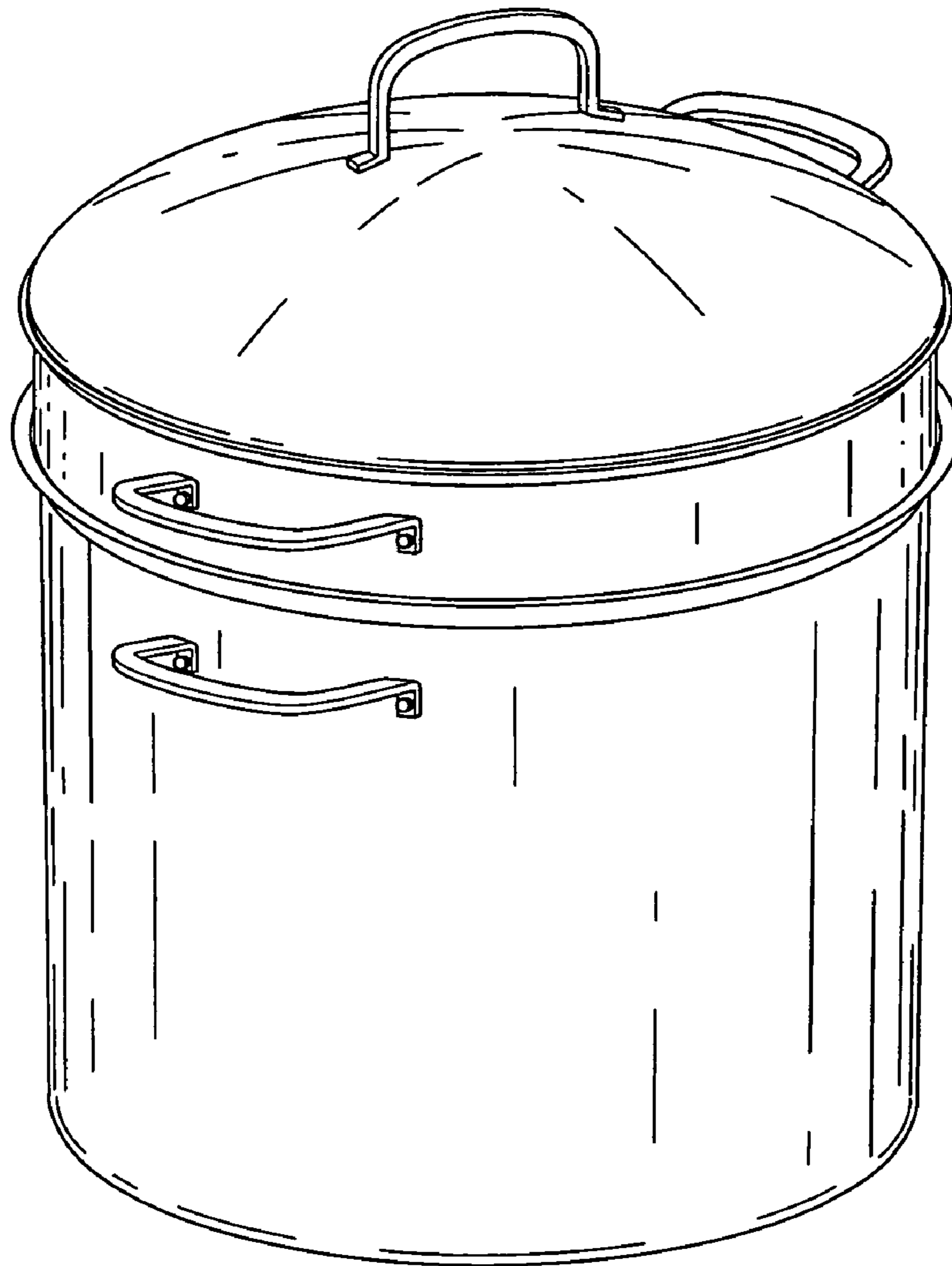


FIG. 4

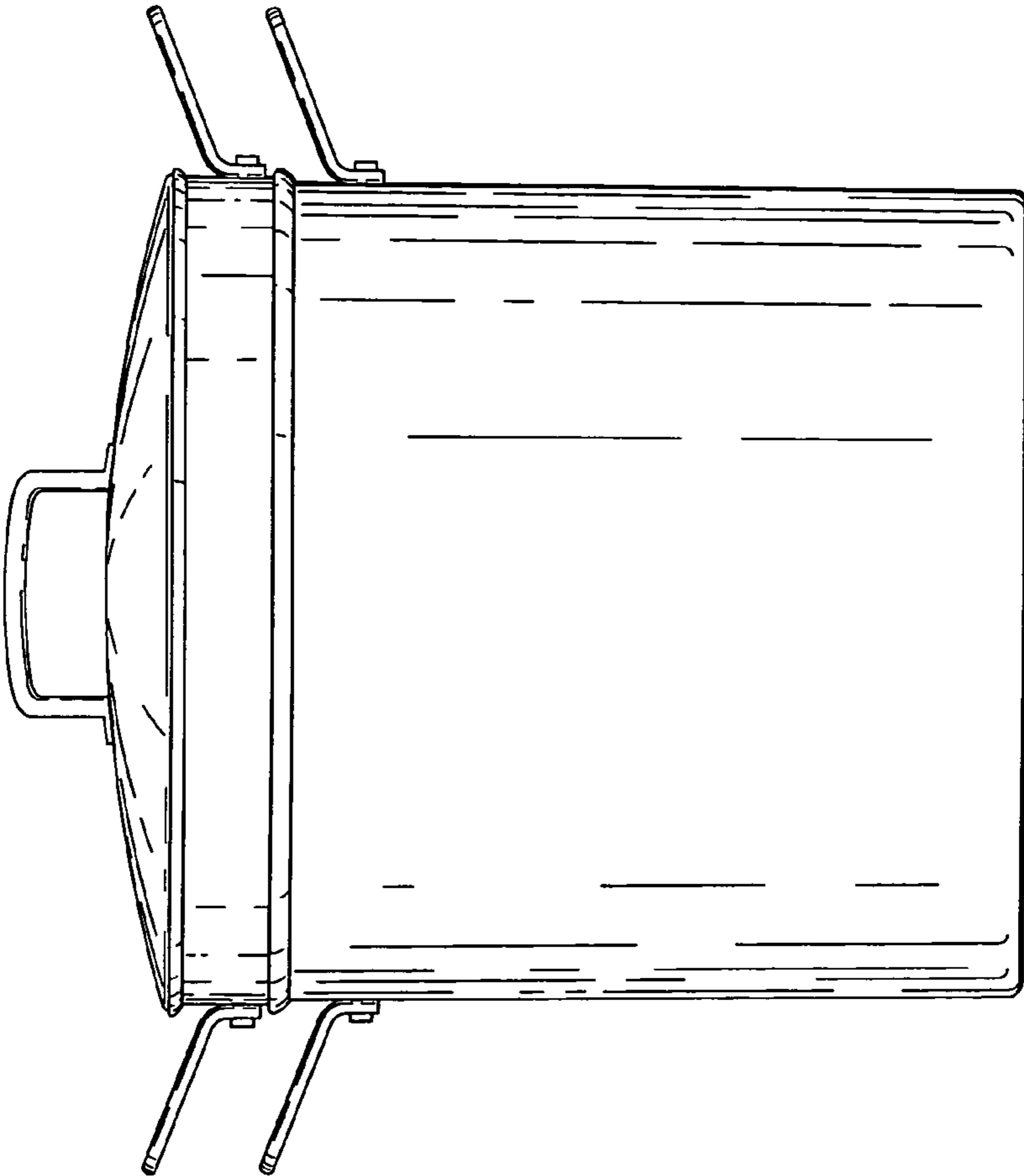


FIG. 3

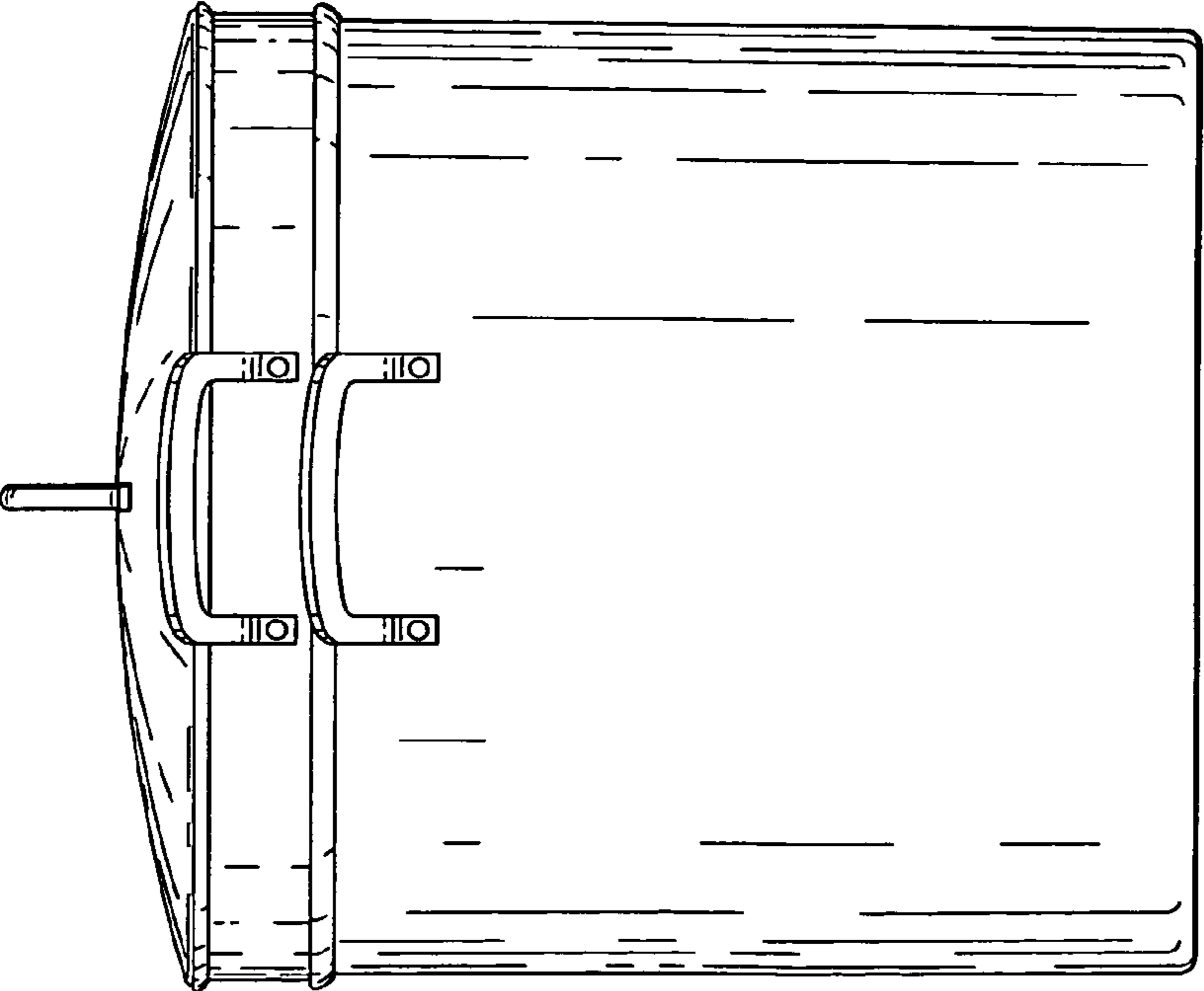


FIG. 5

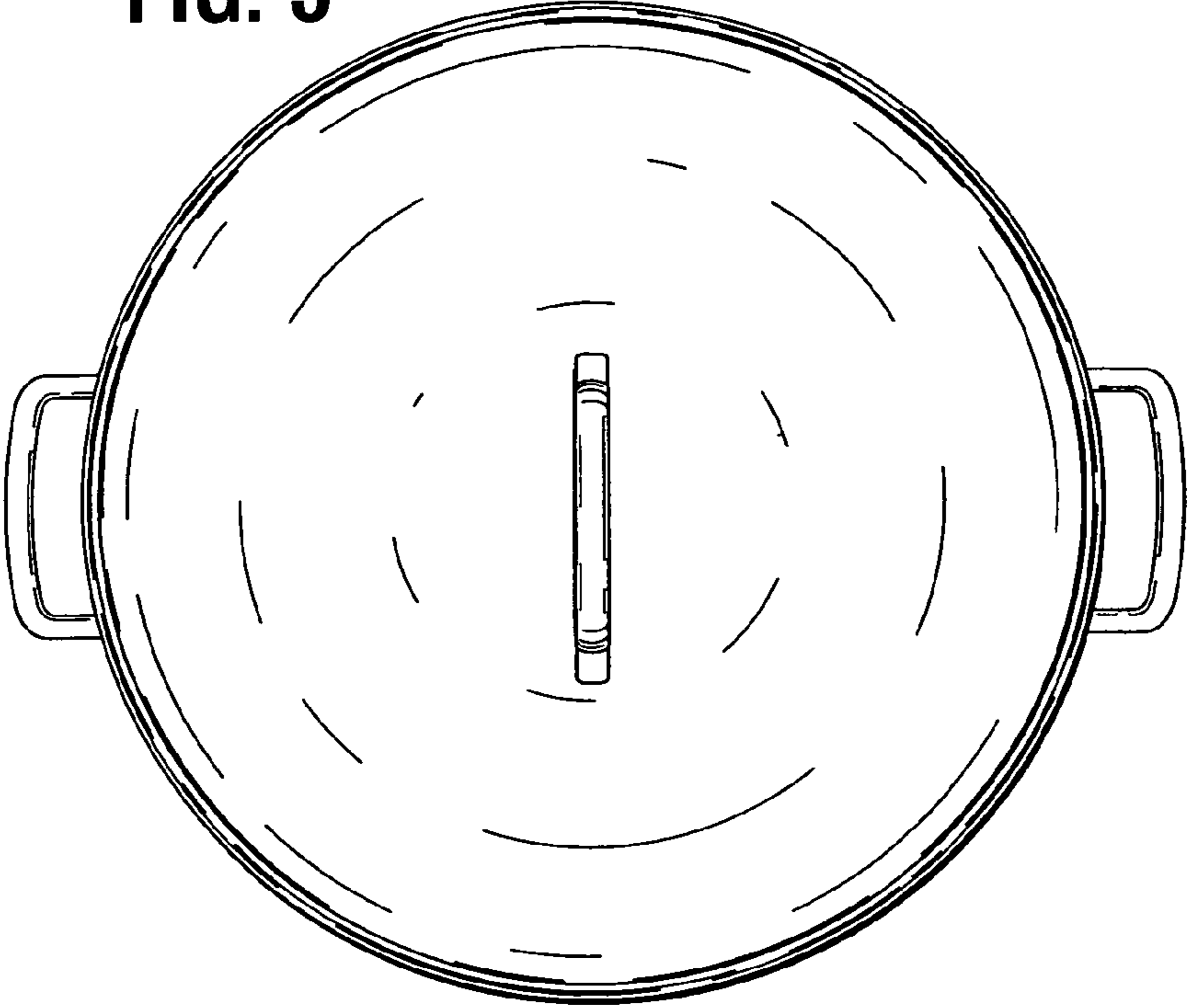


FIG. 6

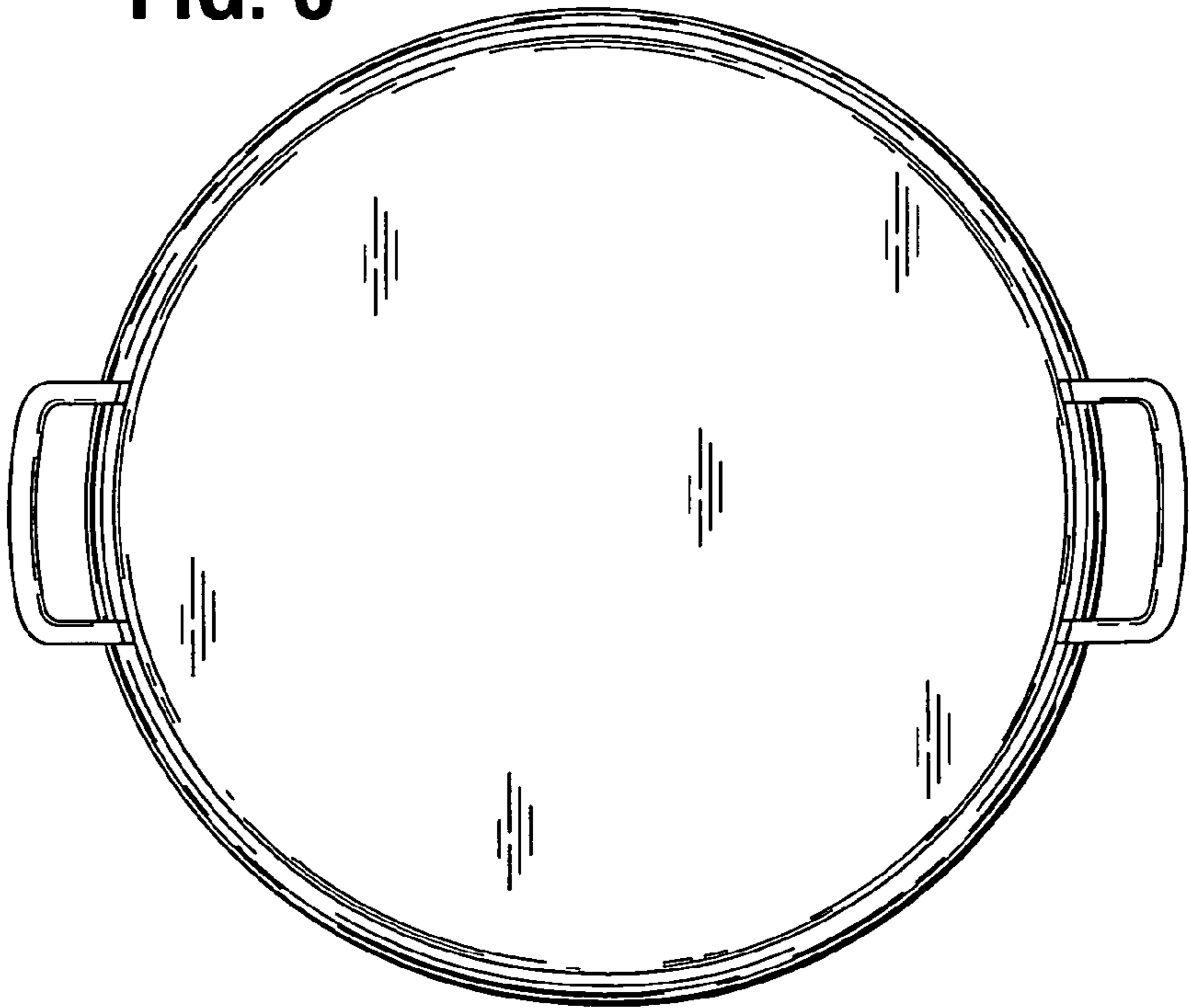


FIG. 7

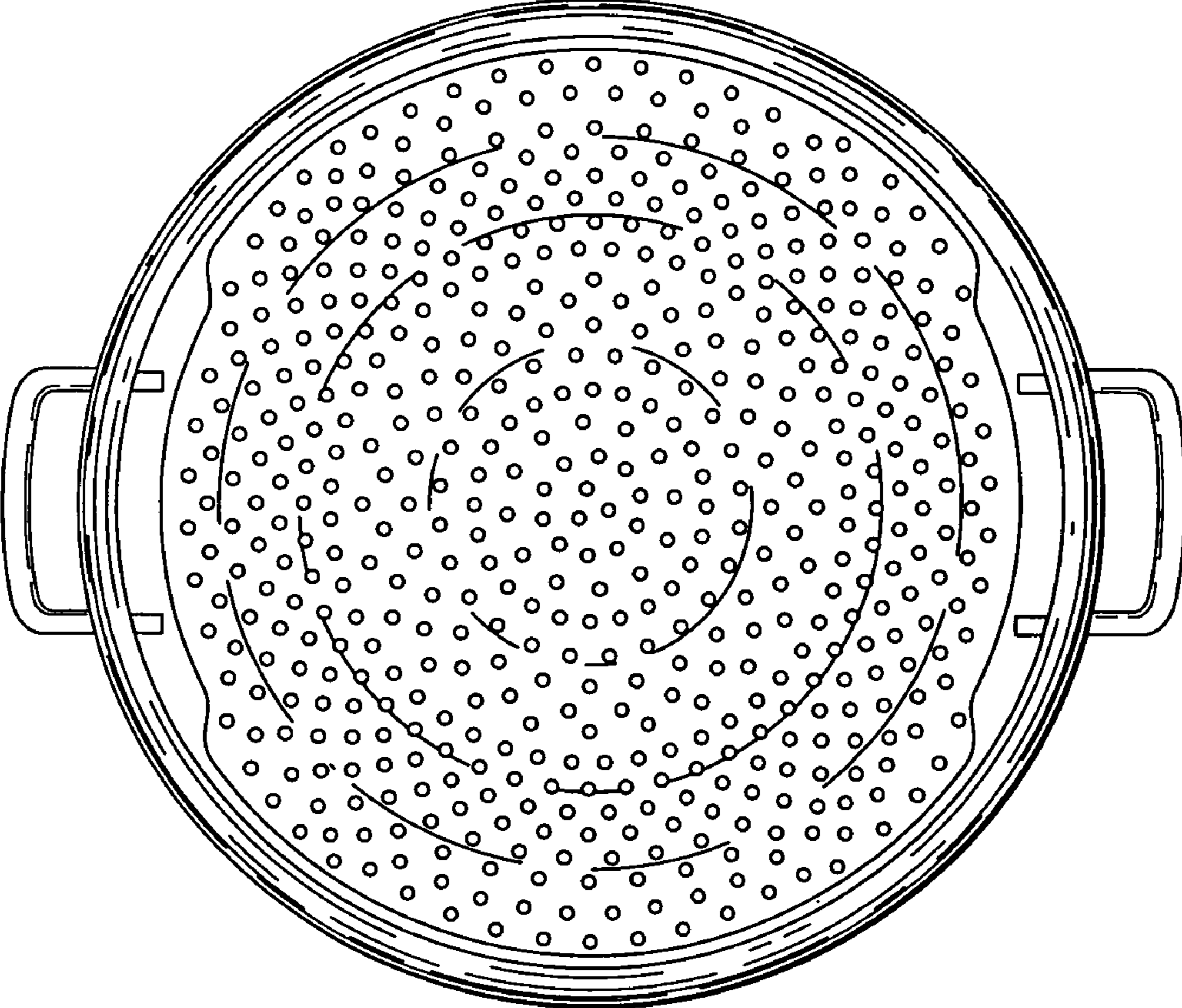


FIG. 8

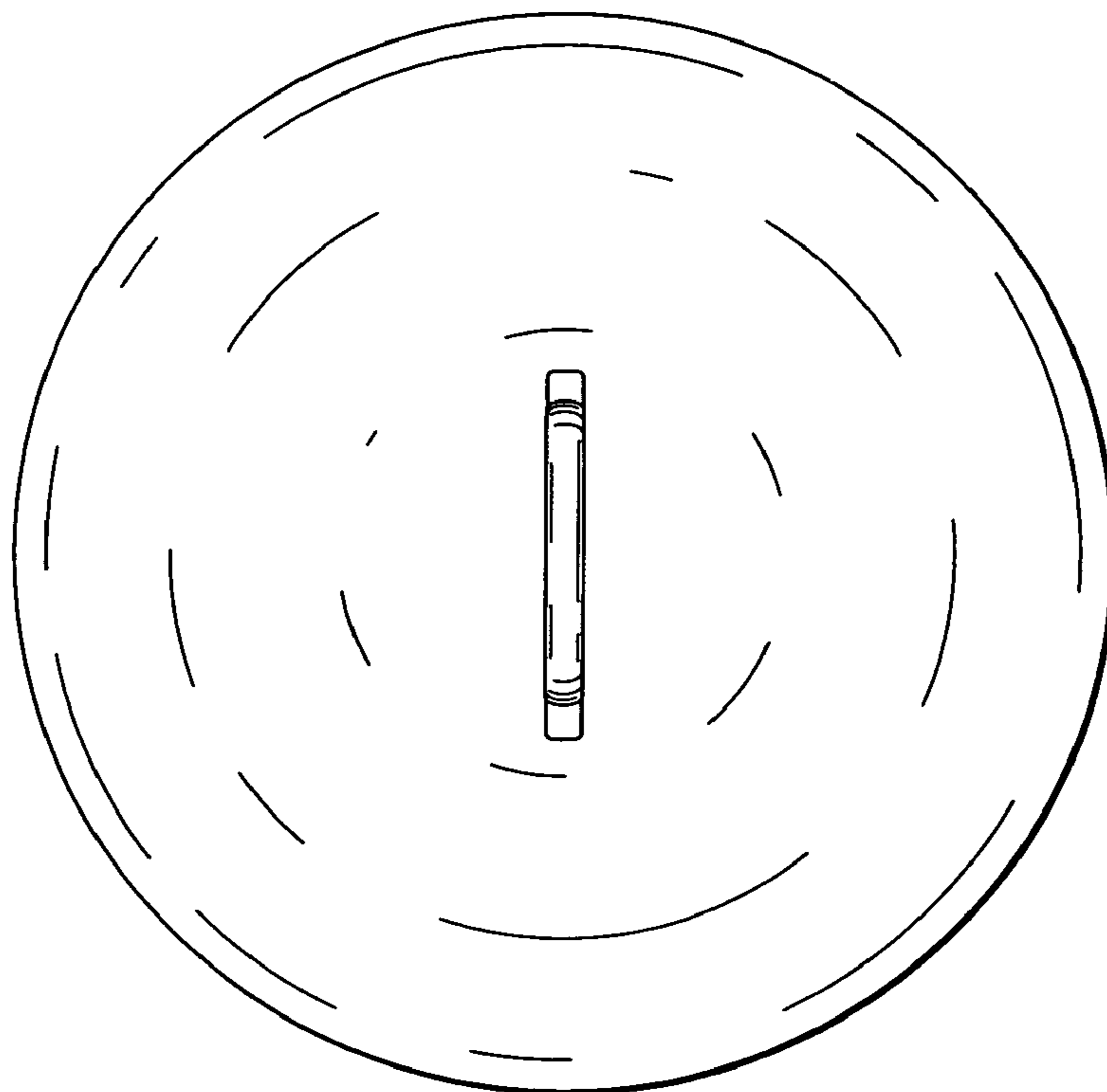


FIG. 9

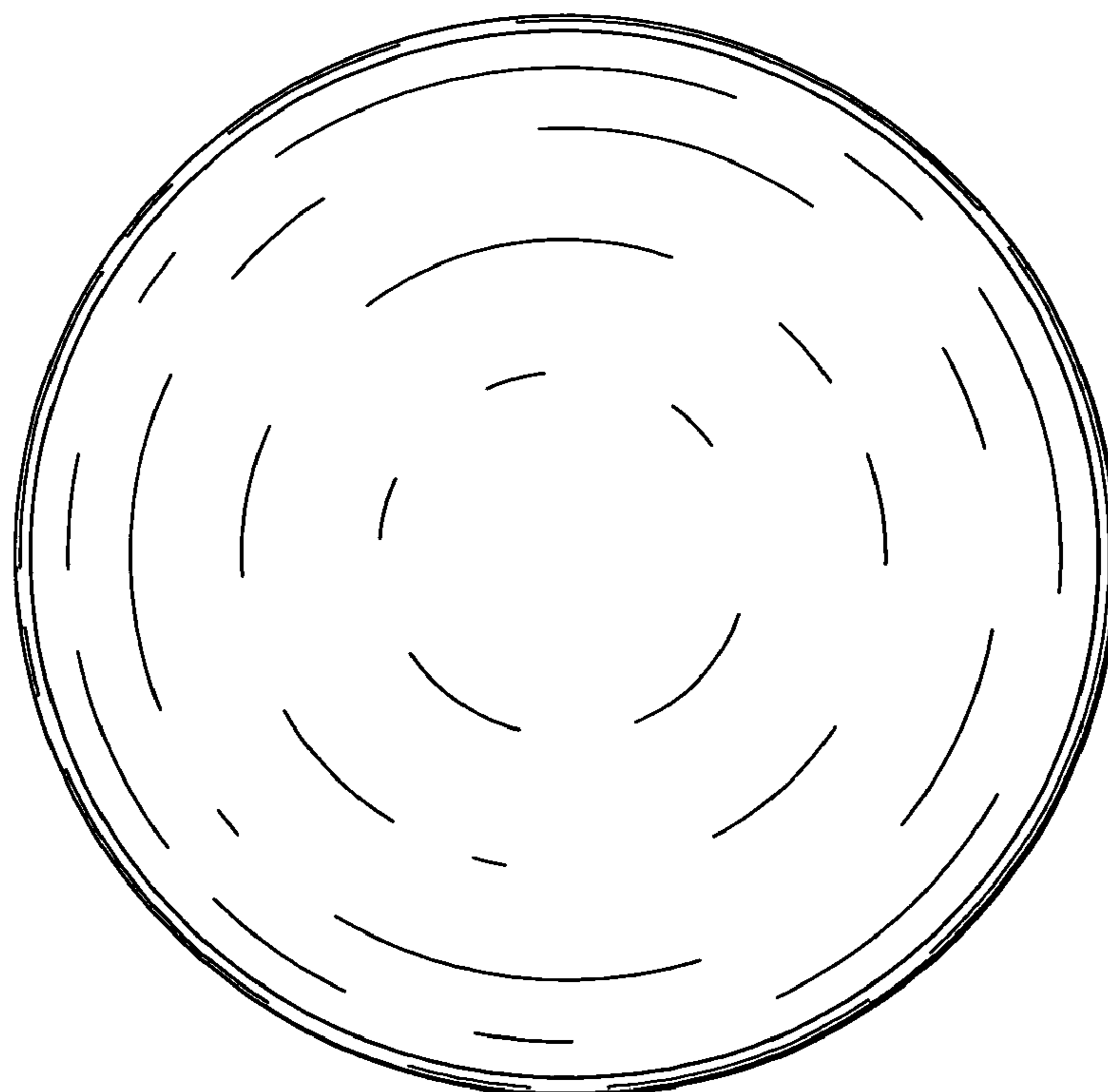


FIG. 10

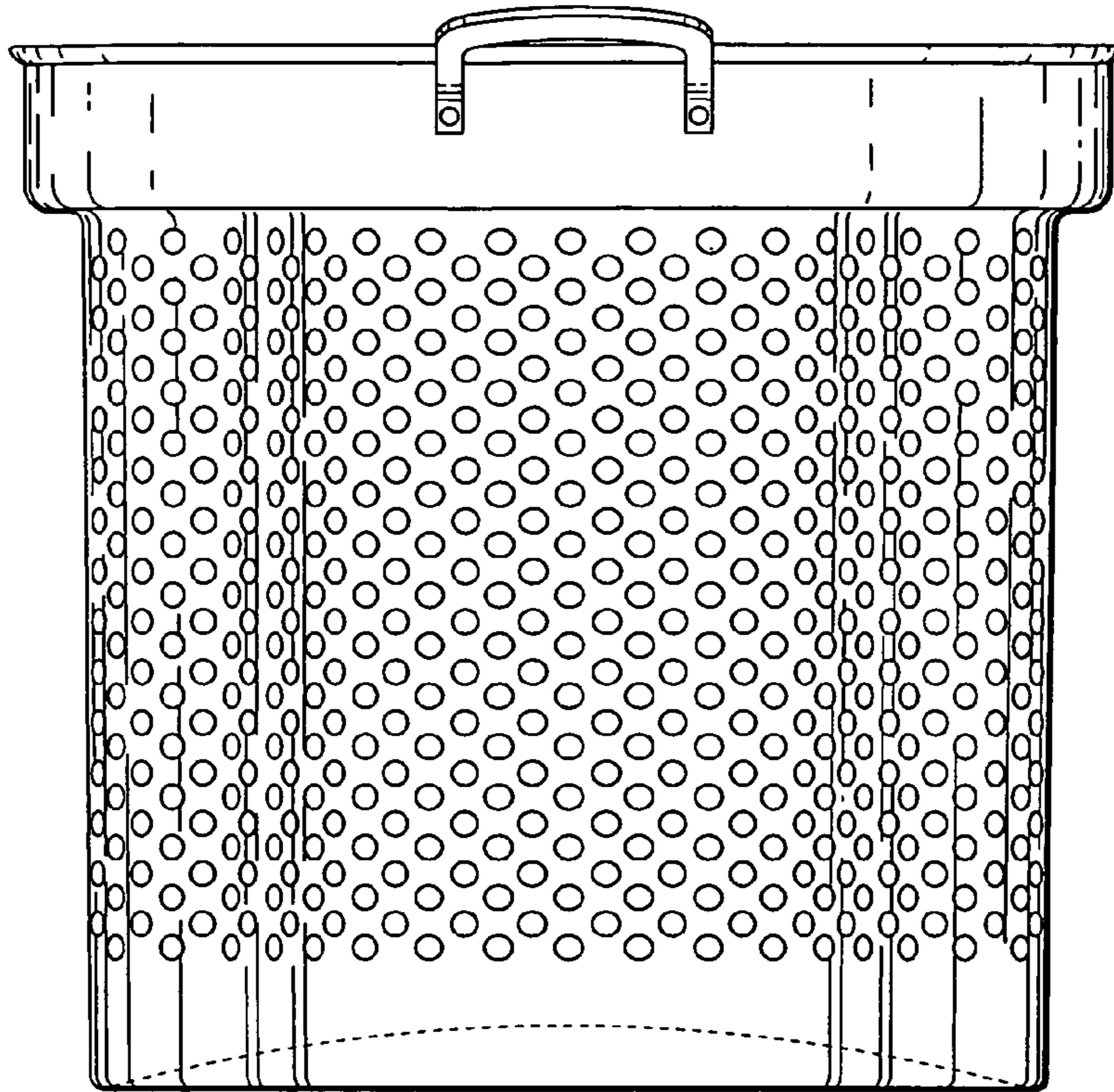


FIG. 11

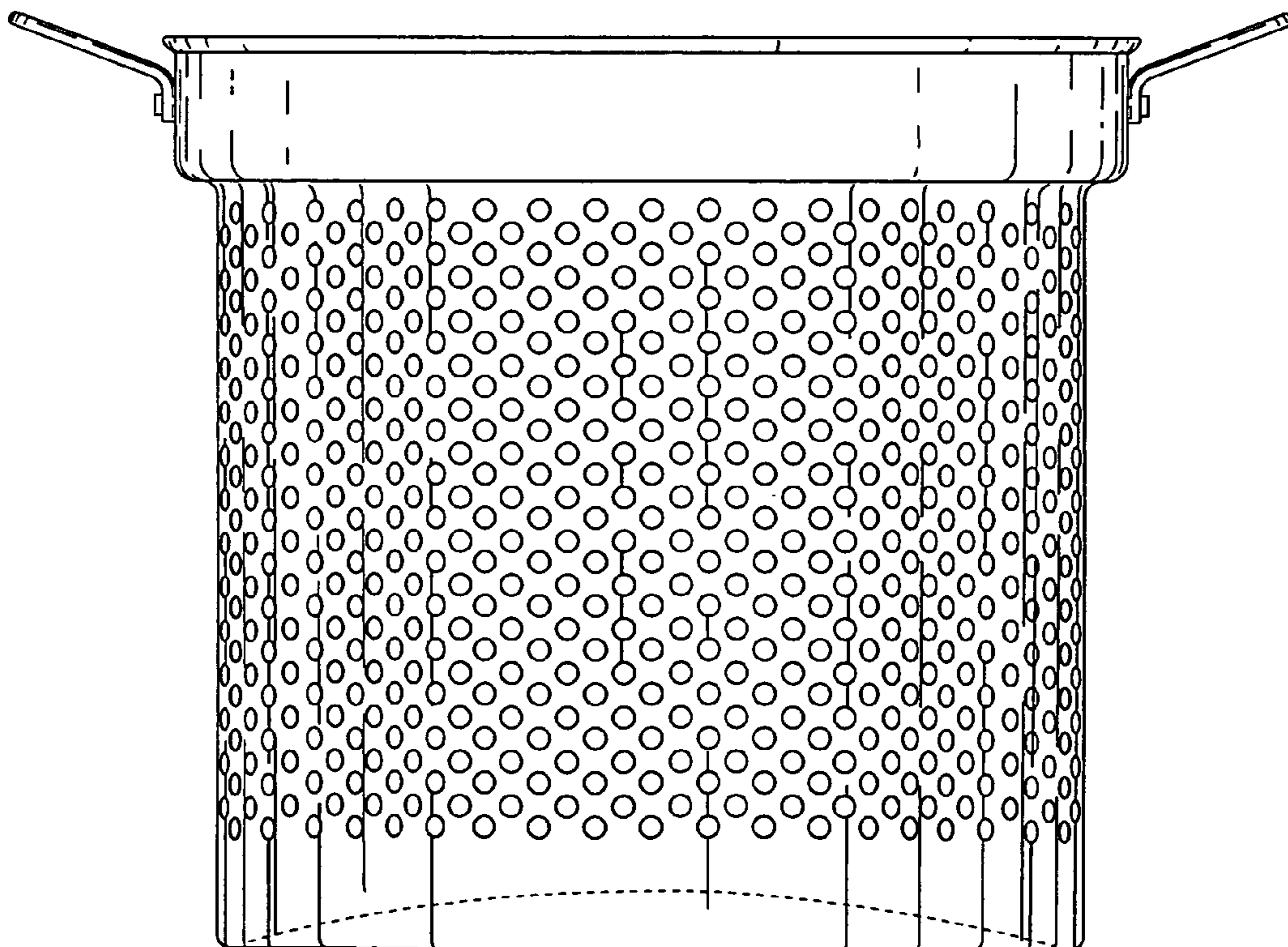


FIG. 12

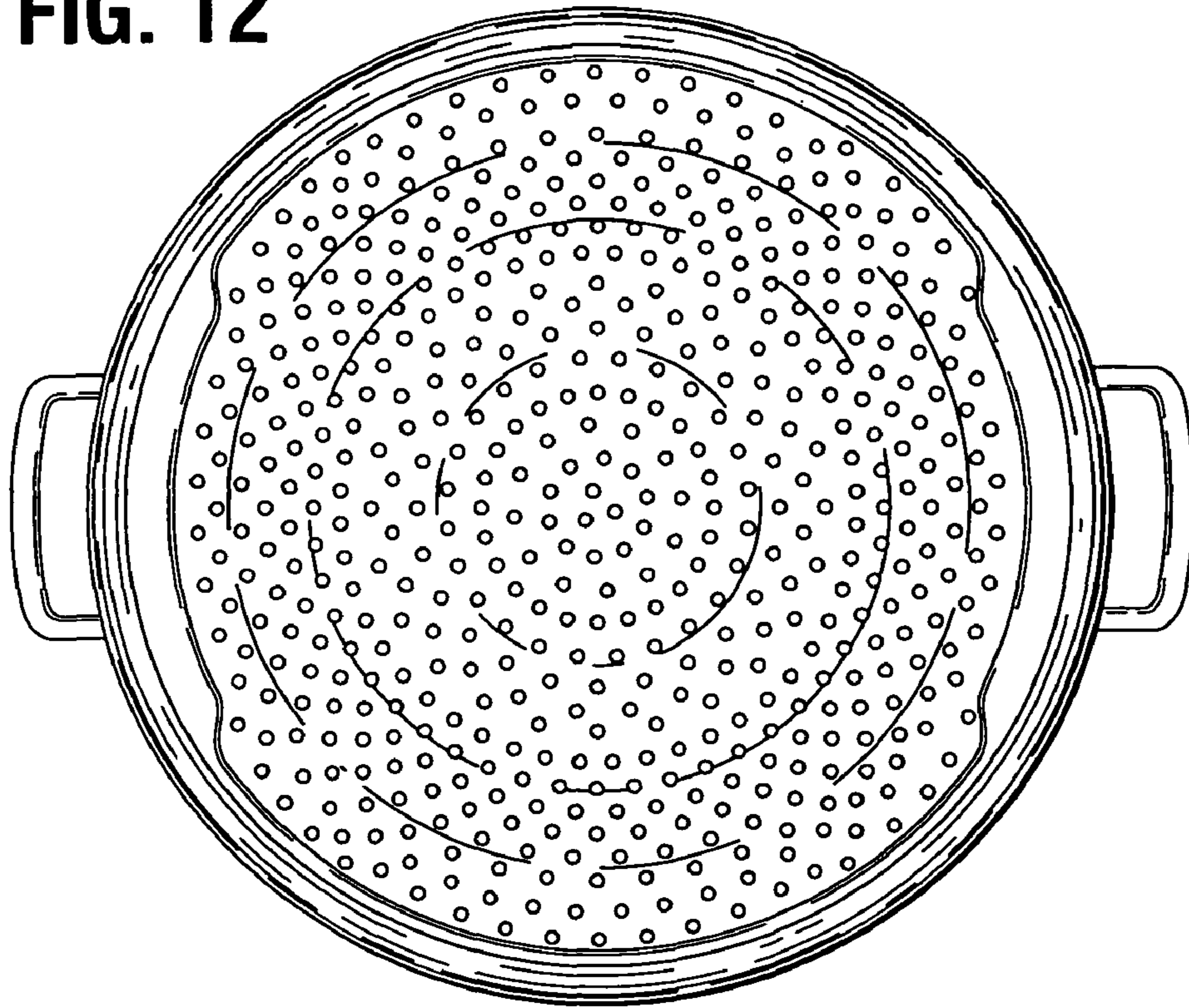


FIG. 13

