



US00D658421S

(12) **United States Design Patent**
Williams

(10) **Patent No.:** **US D658,421 S**

(45) **Date of Patent:** **** May 1, 2012**

(54) **INFLATABLE PILLOW**

(76) Inventor: **Margaret Ann Williams**, Wimberley,
TX (US)

(**) Term: **14 Years**

(21) Appl. No.: **29/402,586**

(22) Filed: **Sep. 23, 2011**

(51) **LOC (9) Cl.** **06-09**

(52) **U.S. Cl.** **D6/604**

(58) **Field of Classification Search** D6/595-601,
D6/604; 5/630, 632, 633, 636-640, 644-648,
5/651, 652, 654, 655, 655.3, 660; D21/803,
D21/804, 809; D24/183, 184; 128/845;
441/66, 80, 88, 129

See application file for complete search history.

(56) **References Cited**

U.S. PATENT DOCUMENTS

2,612,645 A * 10/1952 Boland 5/644
5,113,875 A * 5/1992 Bennett 5/648
D356,919 S * 4/1995 Nadeau D6/601
D375,989 S * 11/1996 Jacobs D21/809

D386,643 S * 11/1997 Farrell D6/601
D407,259 S * 3/1999 Jackson D6/604
7,168,115 B2 * 1/2007 Davis 5/655.3
D587,507 S * 3/2009 Martin D6/604
D651,840 S * 1/2012 Davis, III D6/601
2009/0223524 A1 * 9/2009 Davis, III 128/845

* cited by examiner

Primary Examiner — Mary Ann Calabrese

(74) *Attorney, Agent, or Firm* — Sinorica, LLC

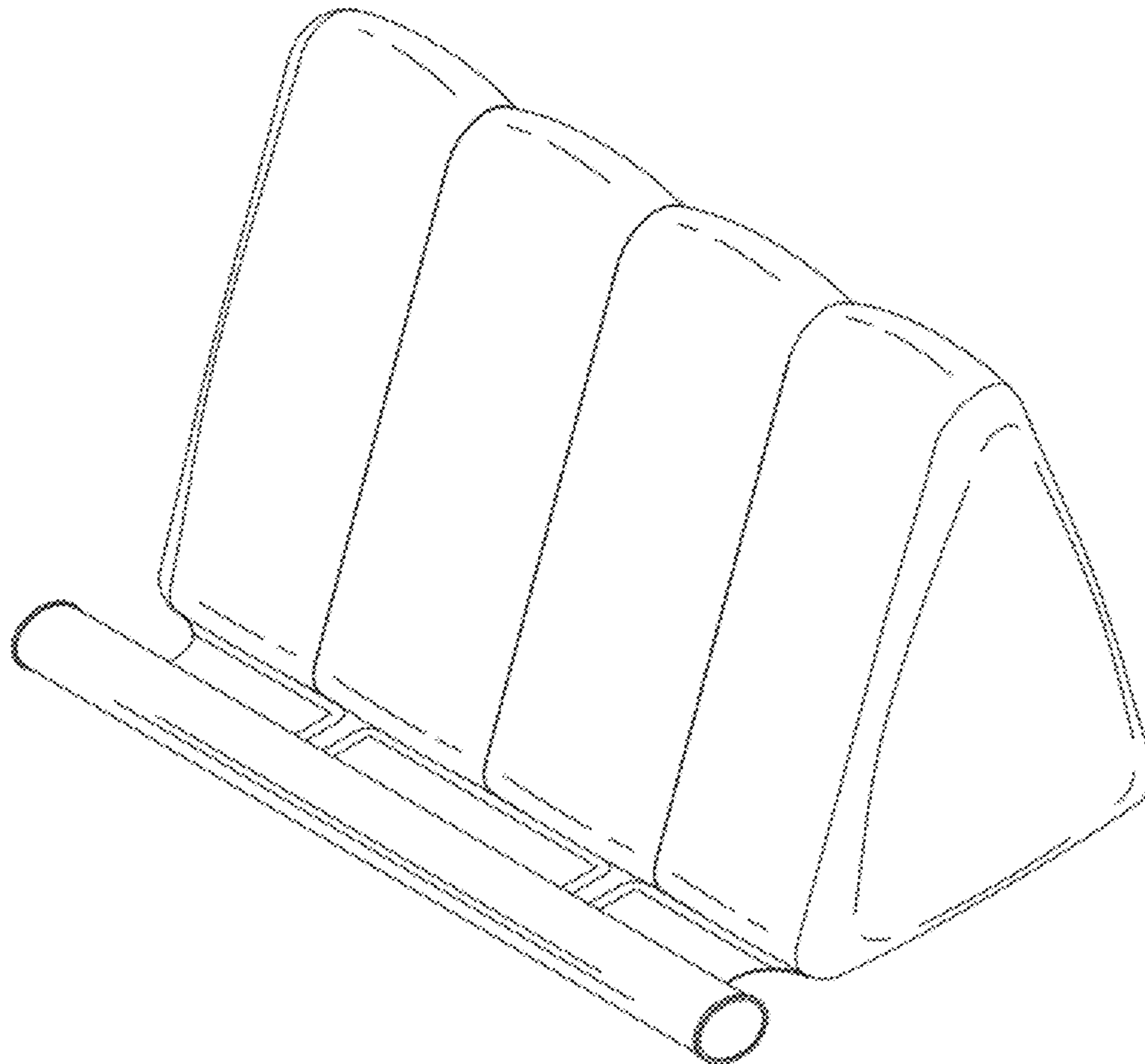
(57) **CLAIM**

The ornamental design for an inflatable pillow, as shown and described.

DESCRIPTION

FIG. 1 is a perspective view of an inflatable pillow;
FIG. 2 is a front elevational view thereof;
FIG. 3 is a rear elevational view thereof;
FIG. 4 is a right-side elevational view thereof, the left-side
elevational view being a mirror image;
FIG. 5 is a bottom plan view thereof;
FIG. 6 is a top plan view thereof; and,
FIG. 7 is an alternate perspective view thereof.

1 Claim, 7 Drawing Sheets



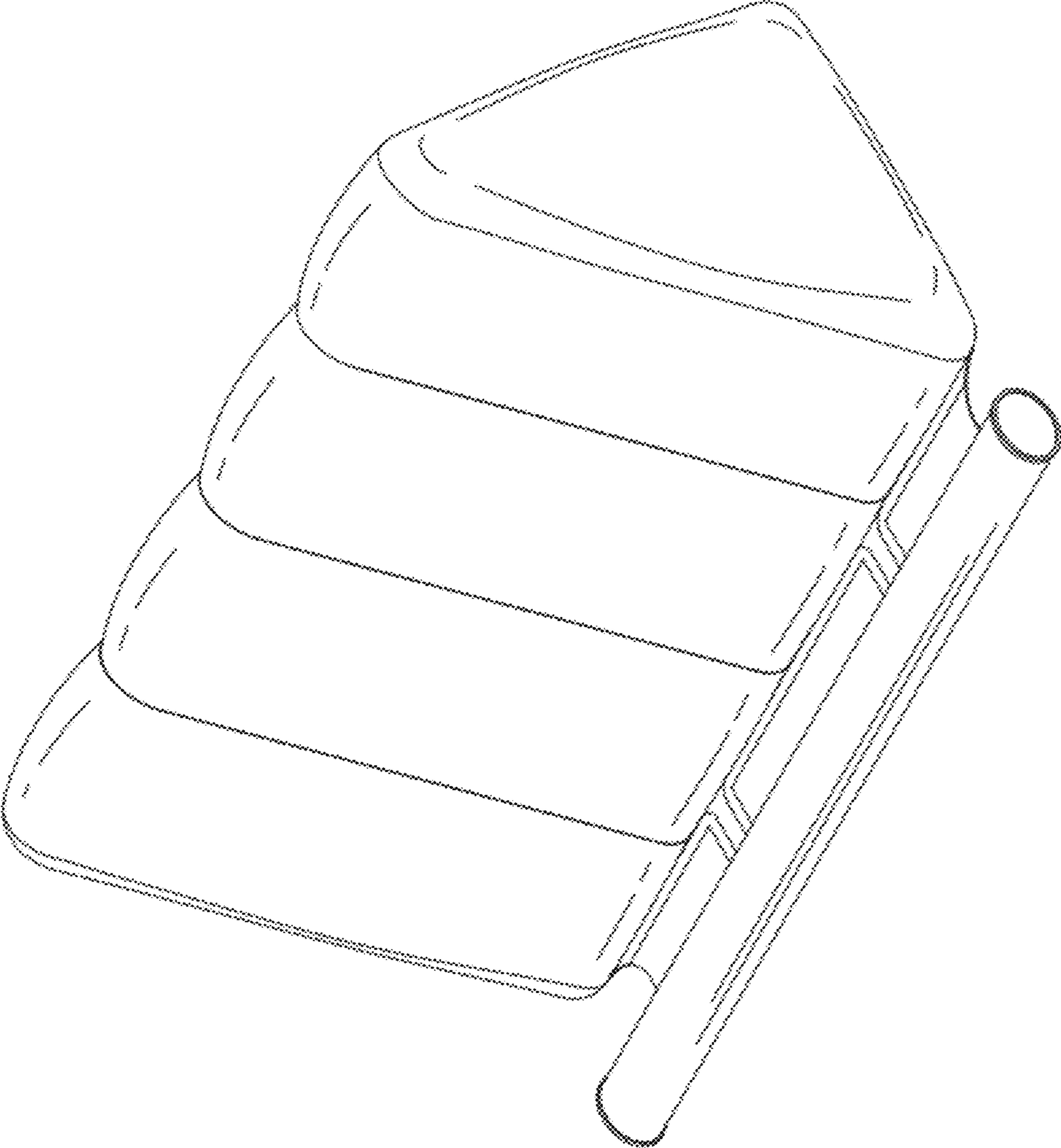


FIG. 1

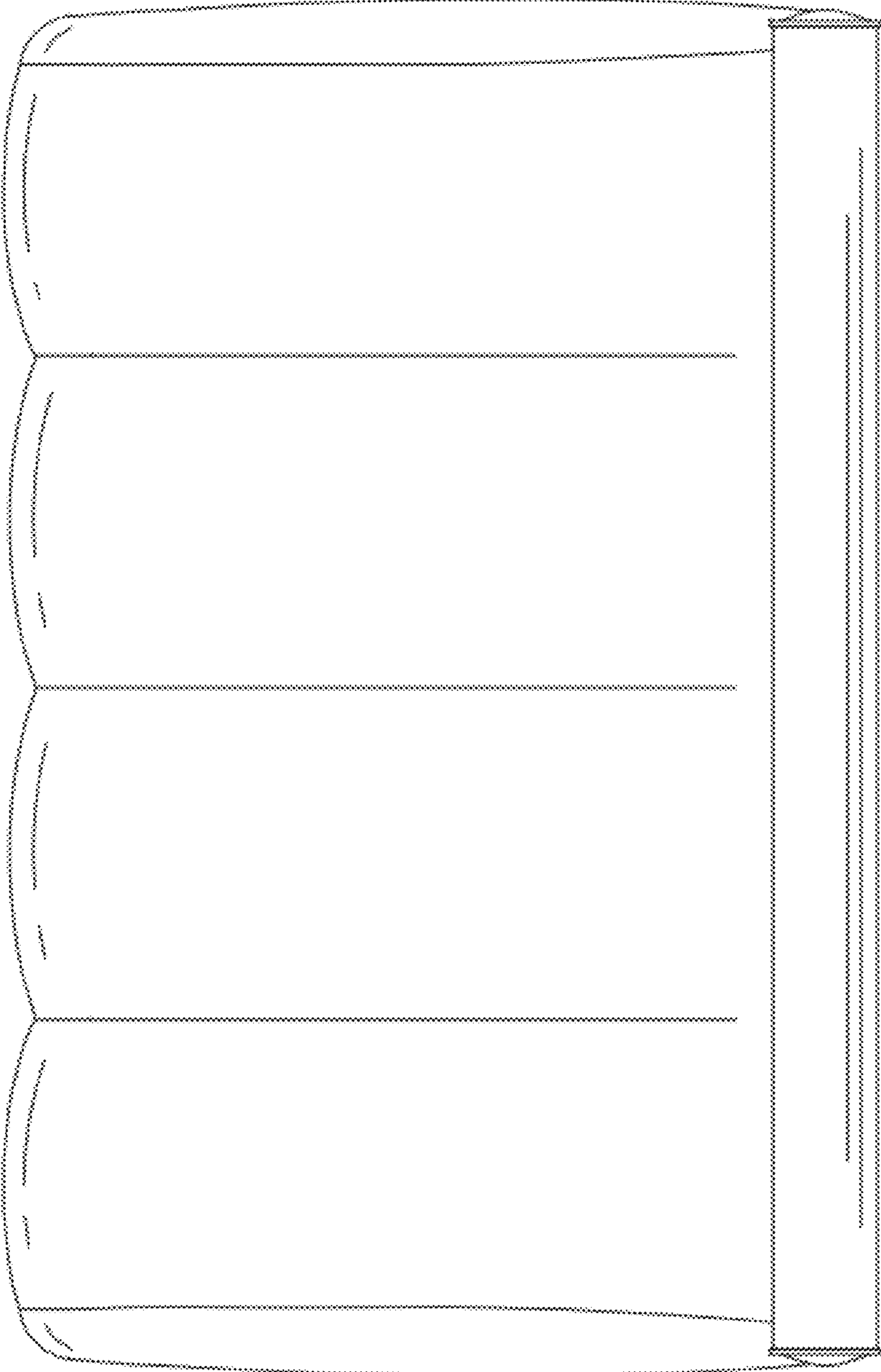


FIG. 2

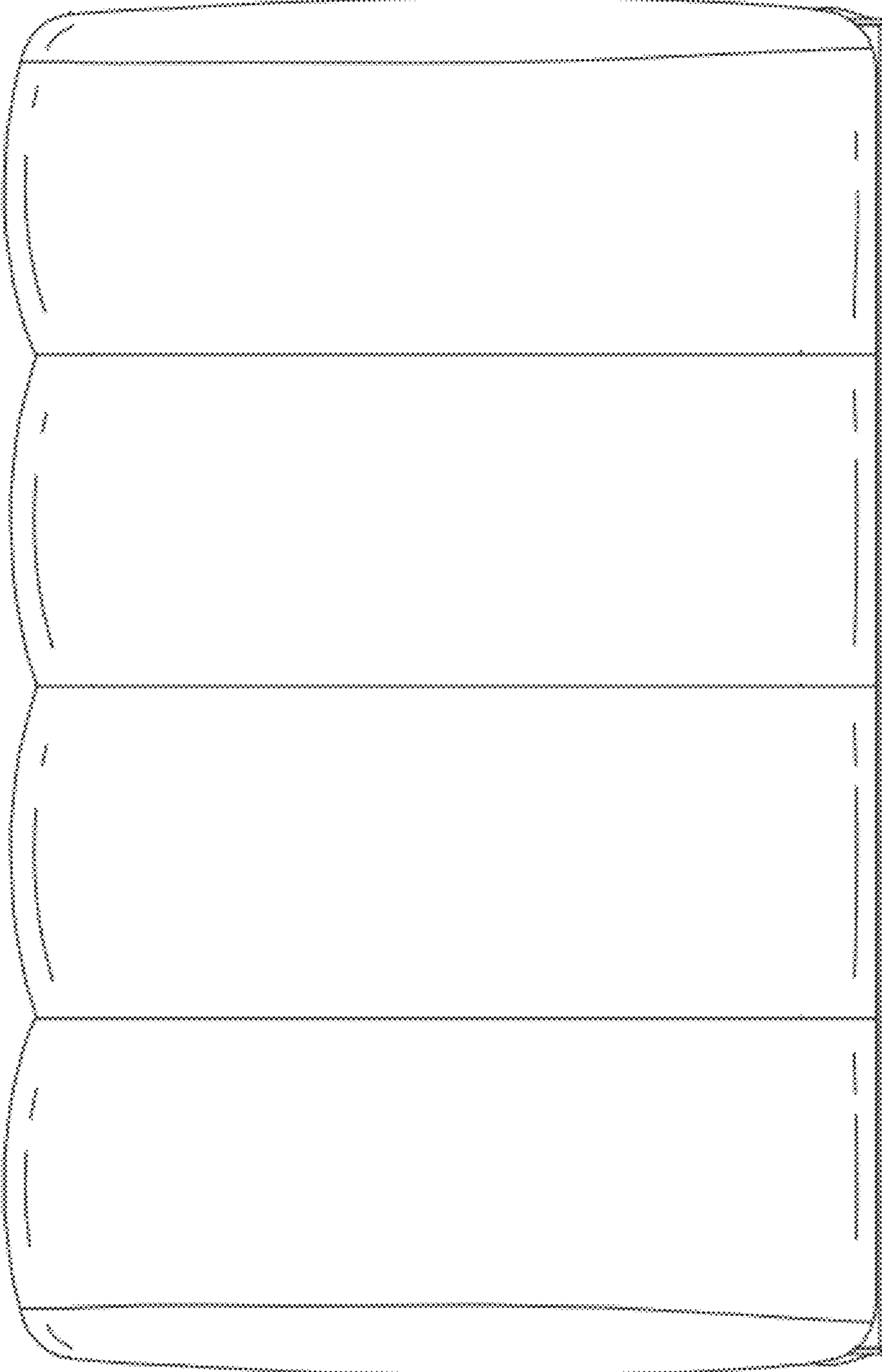


FIG. 3

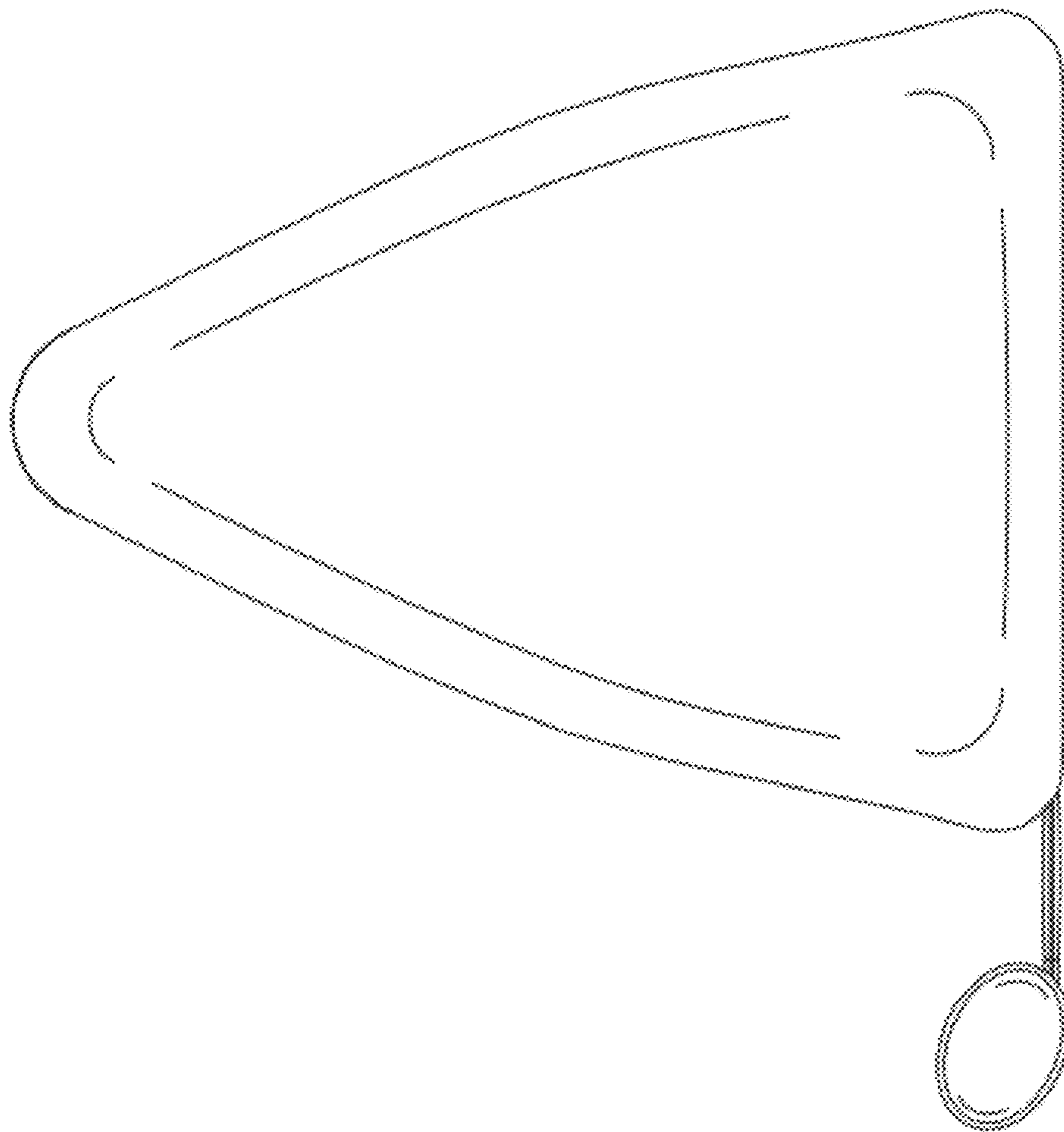


FIG. 4

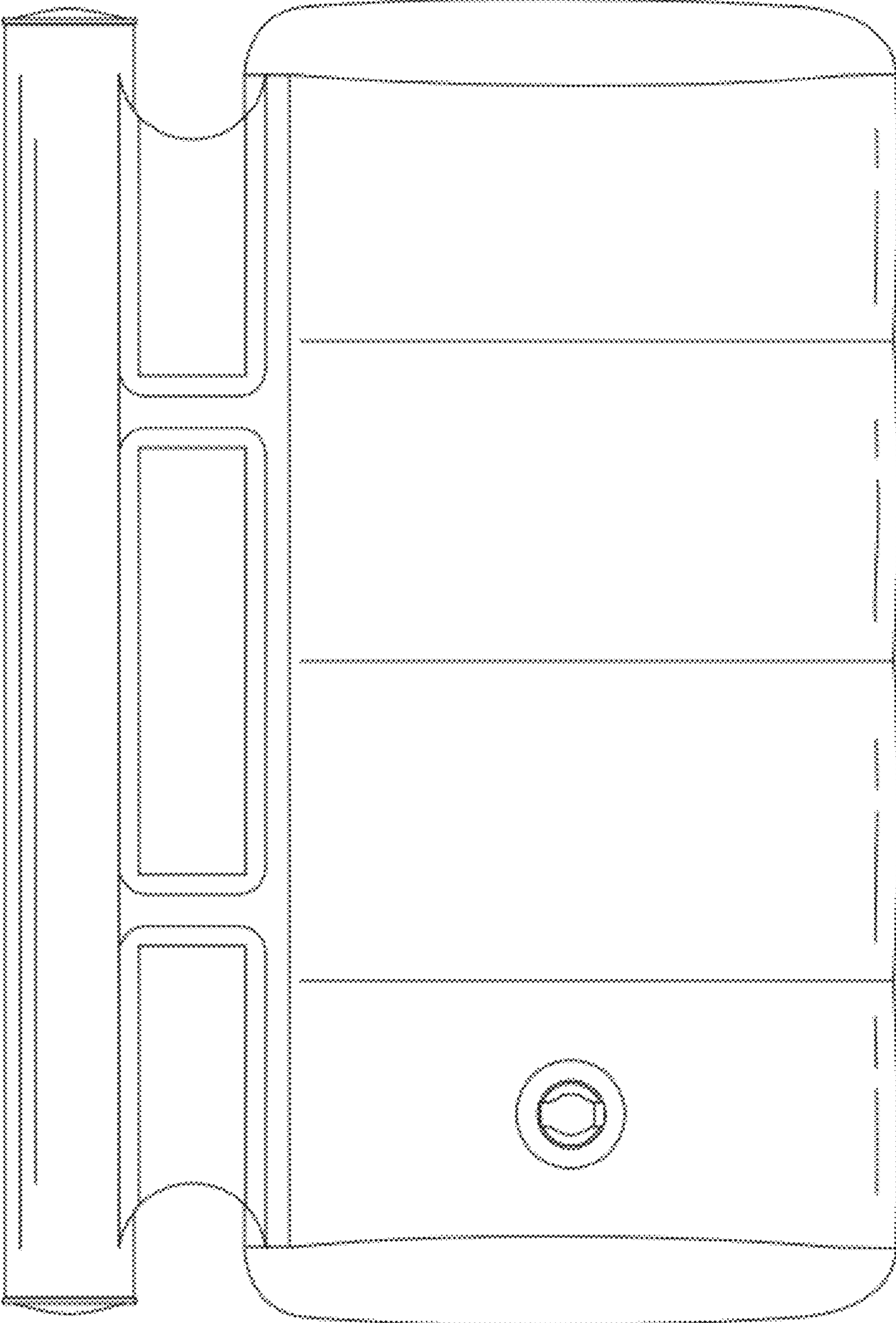


FIG. 5

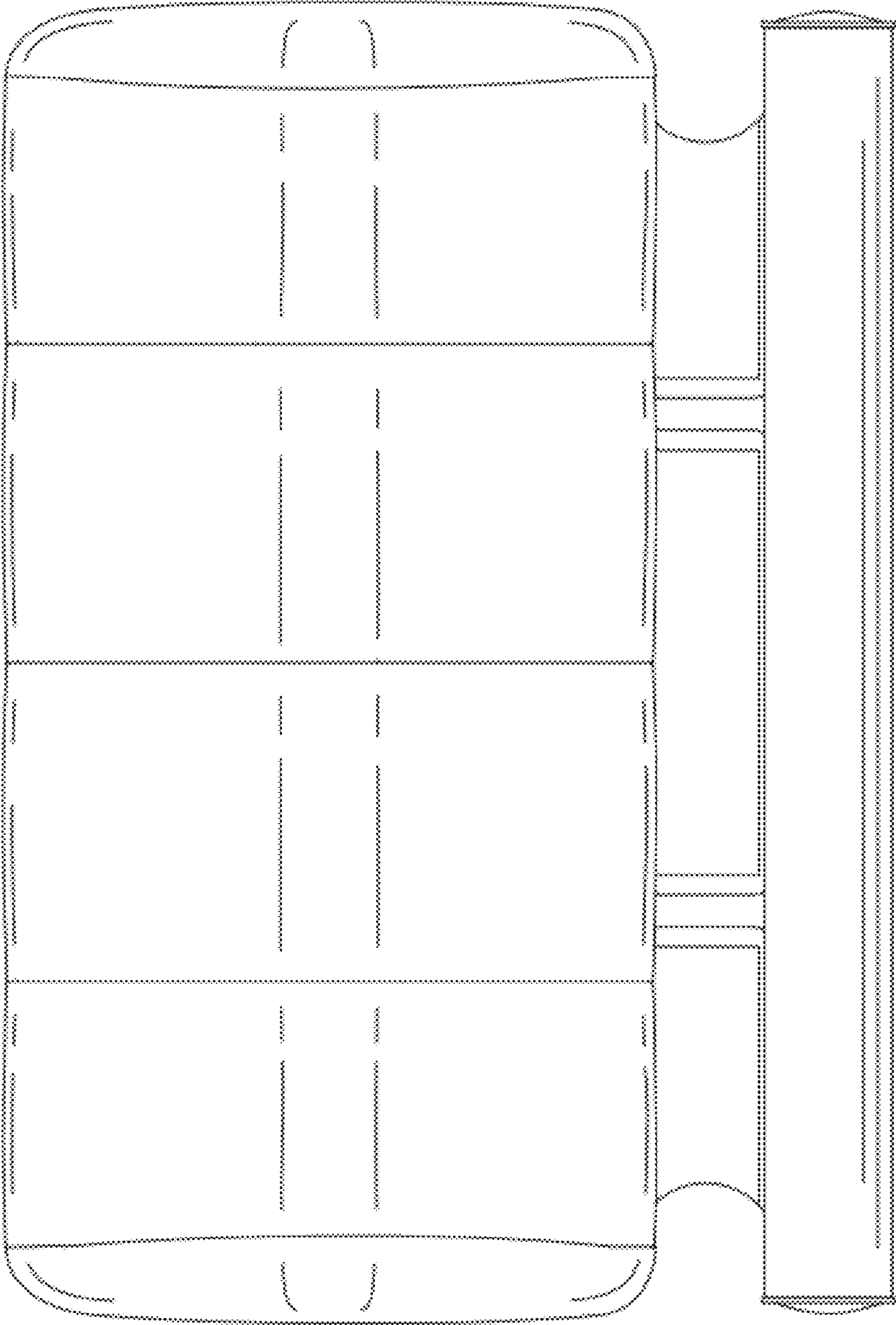


FIG. 6

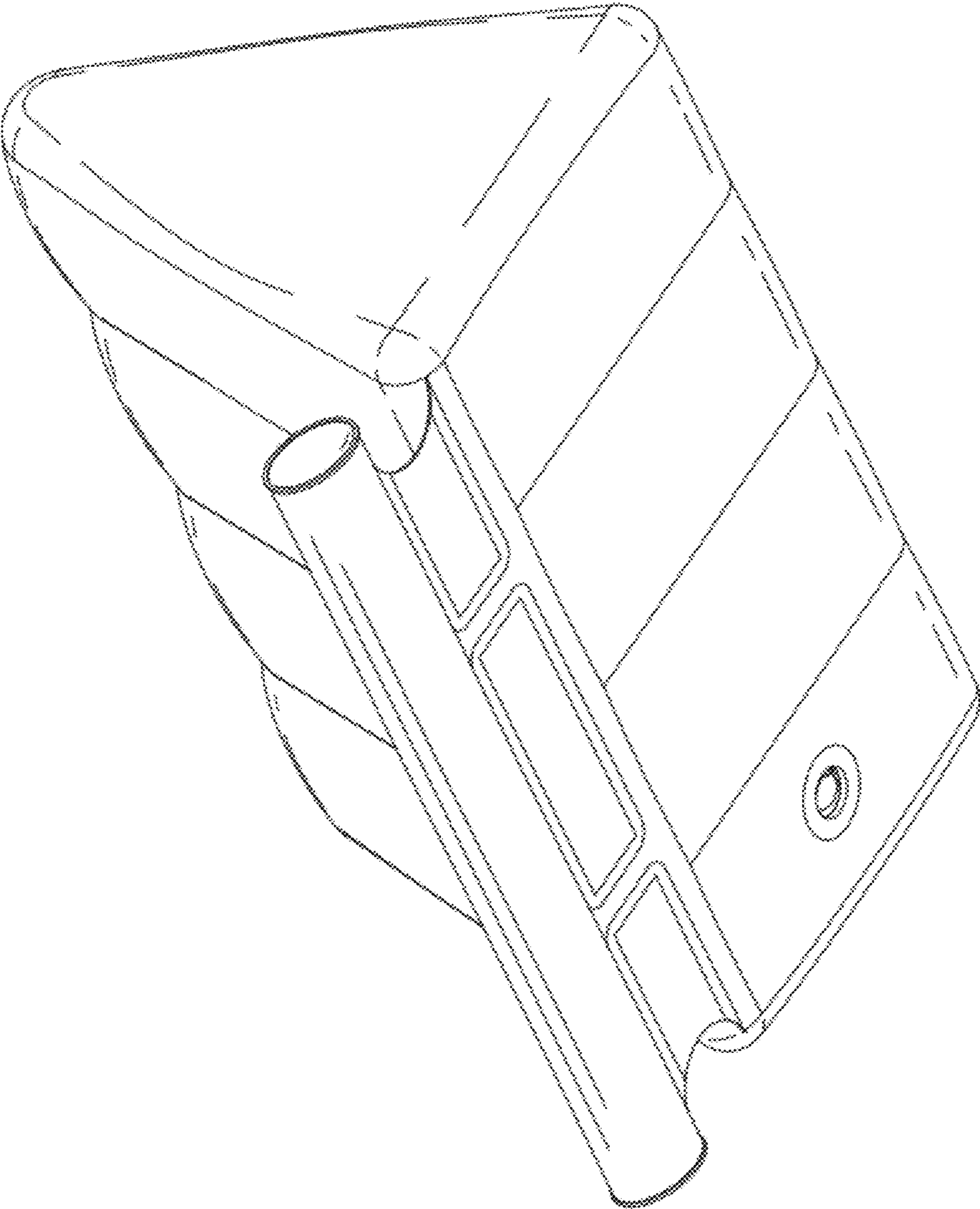


FIG. 7