

US00D658418S

(12) **United States Design Patent**  
**Ng**

(10) **Patent No.:** **US D658,418 S**

(45) **Date of Patent:** **\*\* May 1, 2012**

(54) **BARREL PLATE PORTION OF A ROLLER BLIND**

*Primary Examiner* — Susan Bennett Hattan

*Assistant Examiner* — Barbara B Lohr

(74) *Attorney, Agent, or Firm* — Elias Borges

(76) Inventor: **Philip Ng**, Thornhill (CA)

(\*\*) Term: **14 Years**

(57) **CLAIM**

The ornamental design for a barrel plate portion of a roller blind, as shown and described.

(21) Appl. No.: **29/353,526**

(22) Filed: **Jan. 11, 2010**

**DESCRIPTION**

(51) **LOC (9) Cl.** ..... **06-10**

(52) **U.S. Cl.** ..... **D6/580**

(58) **Field of Classification Search** ..... D6/580,  
D6/581; 160/291, 307, 313, 324, 319, 321,  
160/323.1, 903; 248/251–270, 221.11  
See application file for complete search history.

FIG. 1 is a perspective view of the front portion of the barrel plate portion of a roller blind.

FIG. 2 is a perspective view of the back portion of the barrel plate portion of a roller blind.

FIG. 3 is a front view of the barrel plate portion of a roller blind.

FIG. 4 is a back view of the barrel plate portion of a roller blind.

FIG. 5 is a top view of the barrel plate portion of a roller blind.

FIG. 6 is a right side view of the barrel plate portion of a roller blind; and,

FIG. 7 is a left side view of the barrel plate portion of a roller blind.

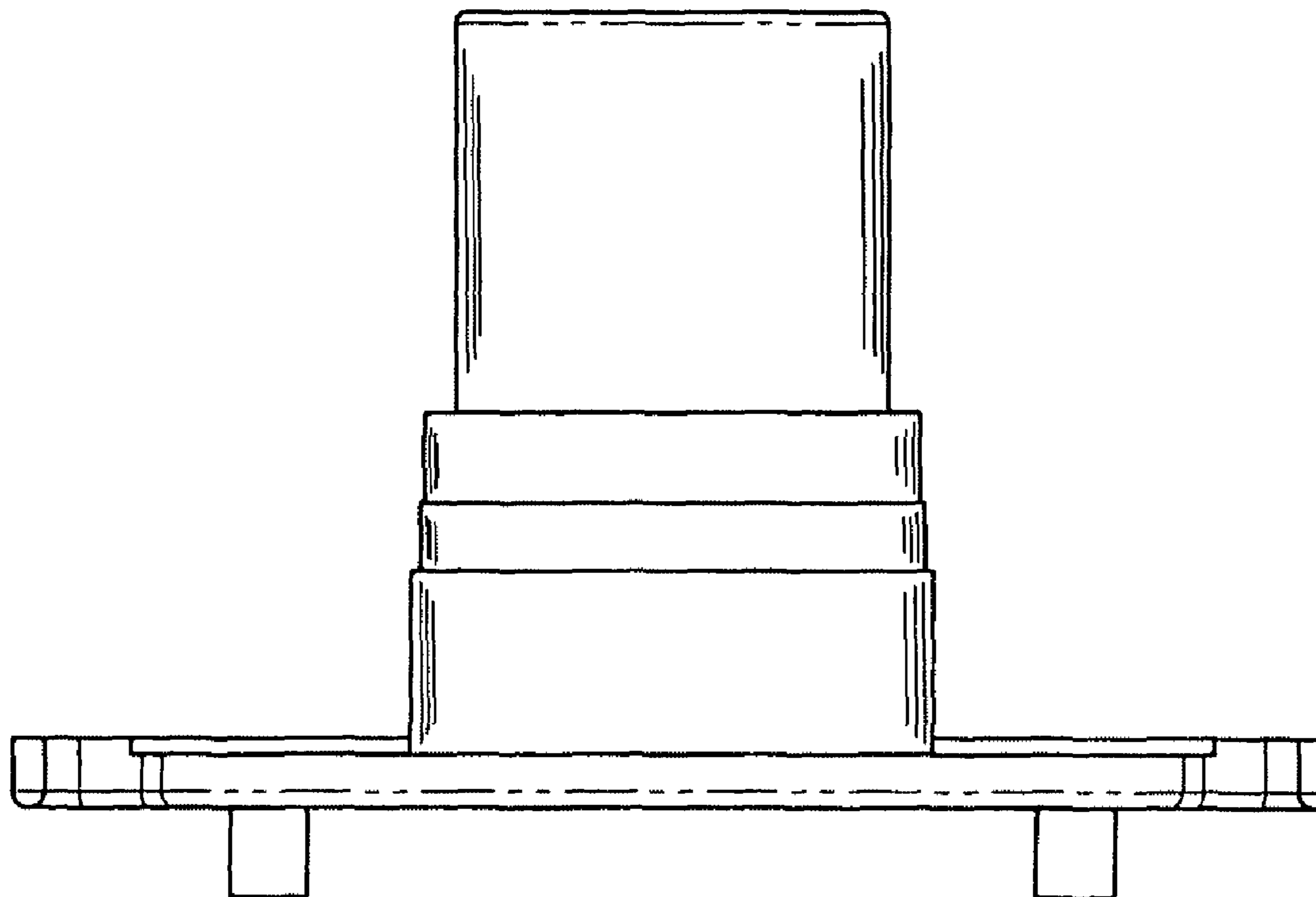
(56) **References Cited**

U.S. PATENT DOCUMENTS

5,975,186	A *	11/1999	Day	.....	160/321
D509,092	S *	9/2005	Allsopp	.....	D6/580
D512,256	S *	12/2005	Allsopp	.....	D6/580
D596,435	S *	7/2009	Wills	.....	D6/581
7,677,293	B2 *	3/2010	Allsopp	.....	160/323.1

\* cited by examiner

**1 Claim, 7 Drawing Sheets**



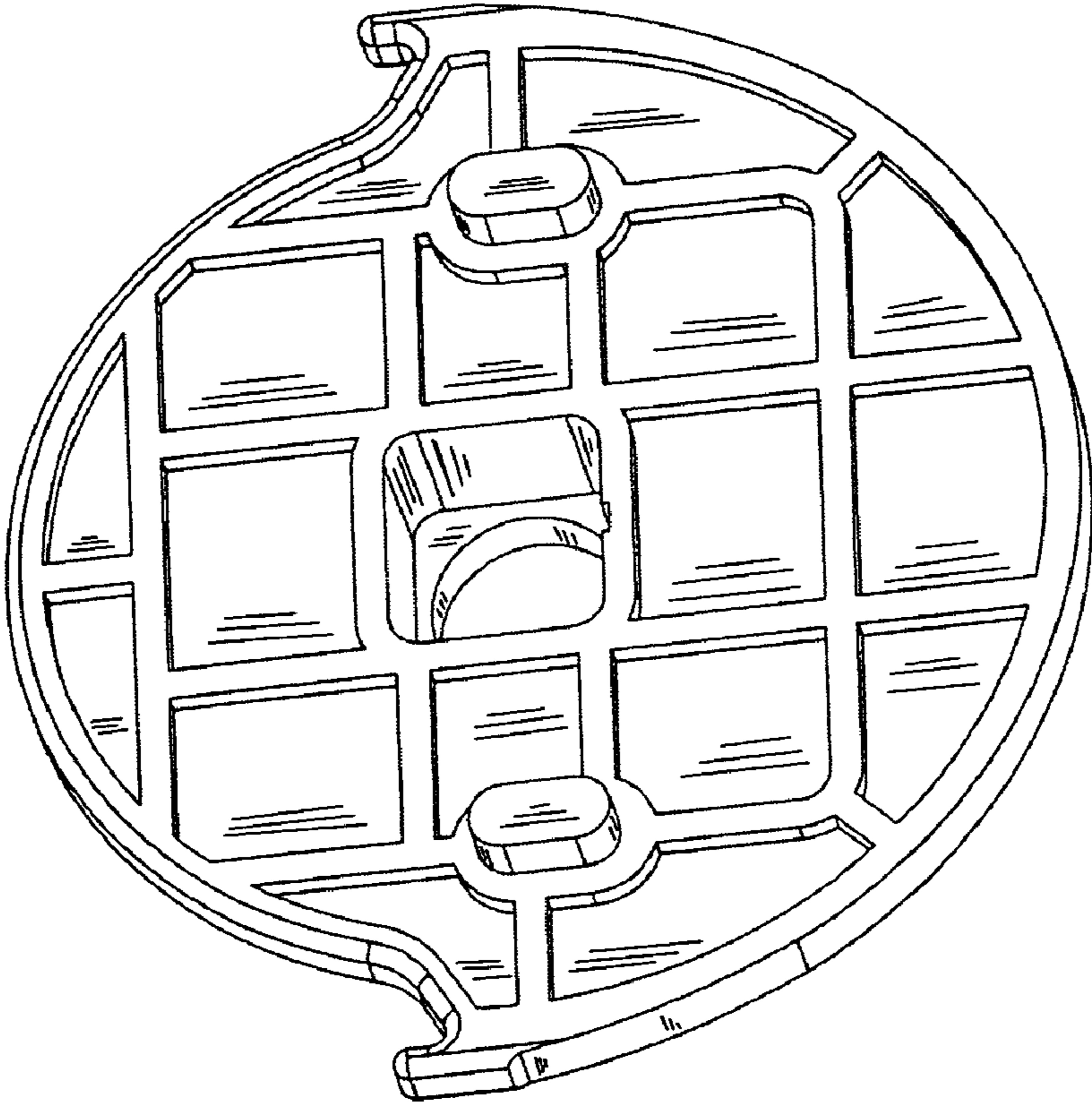


Fig. 1

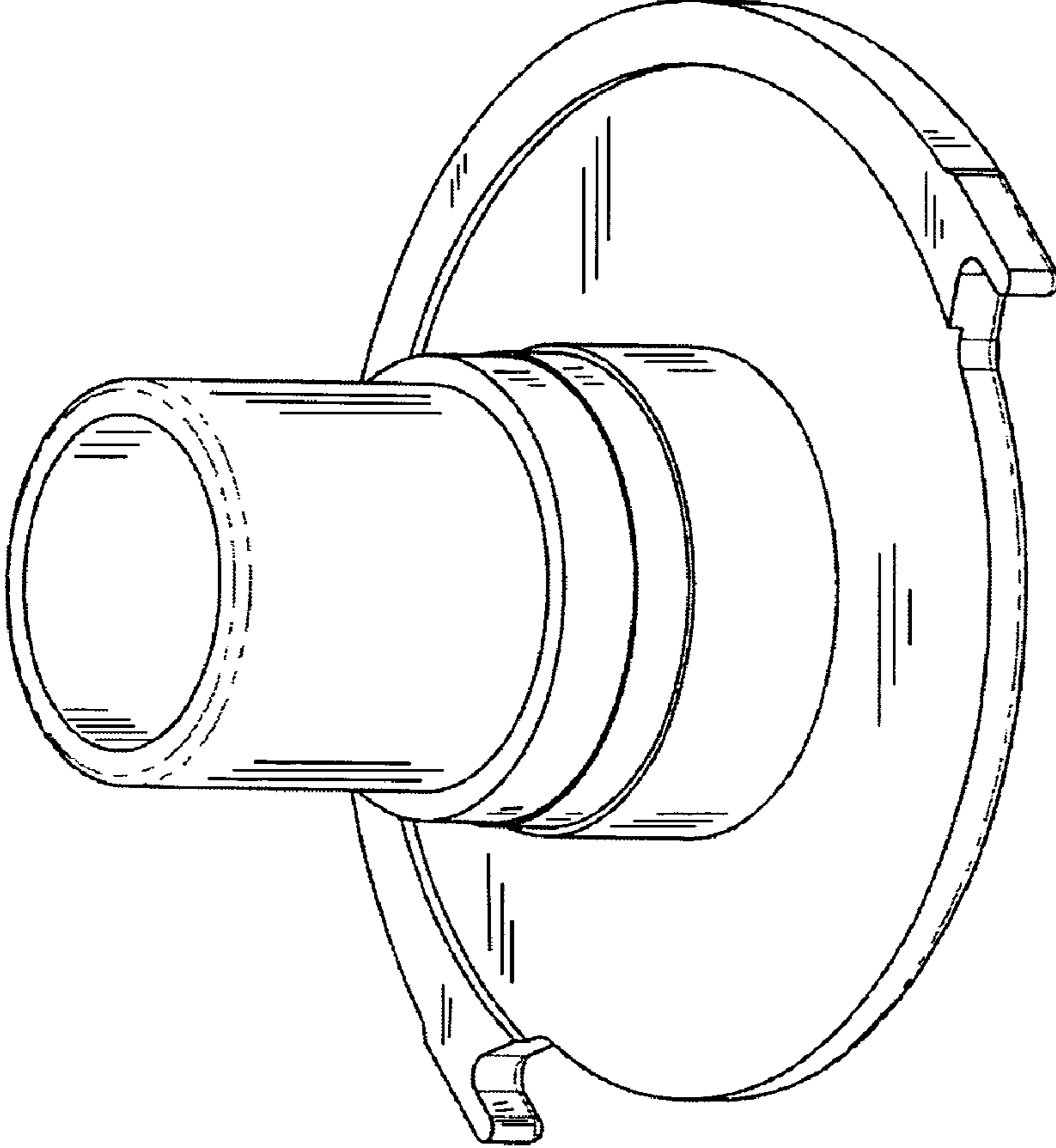


Fig. 2

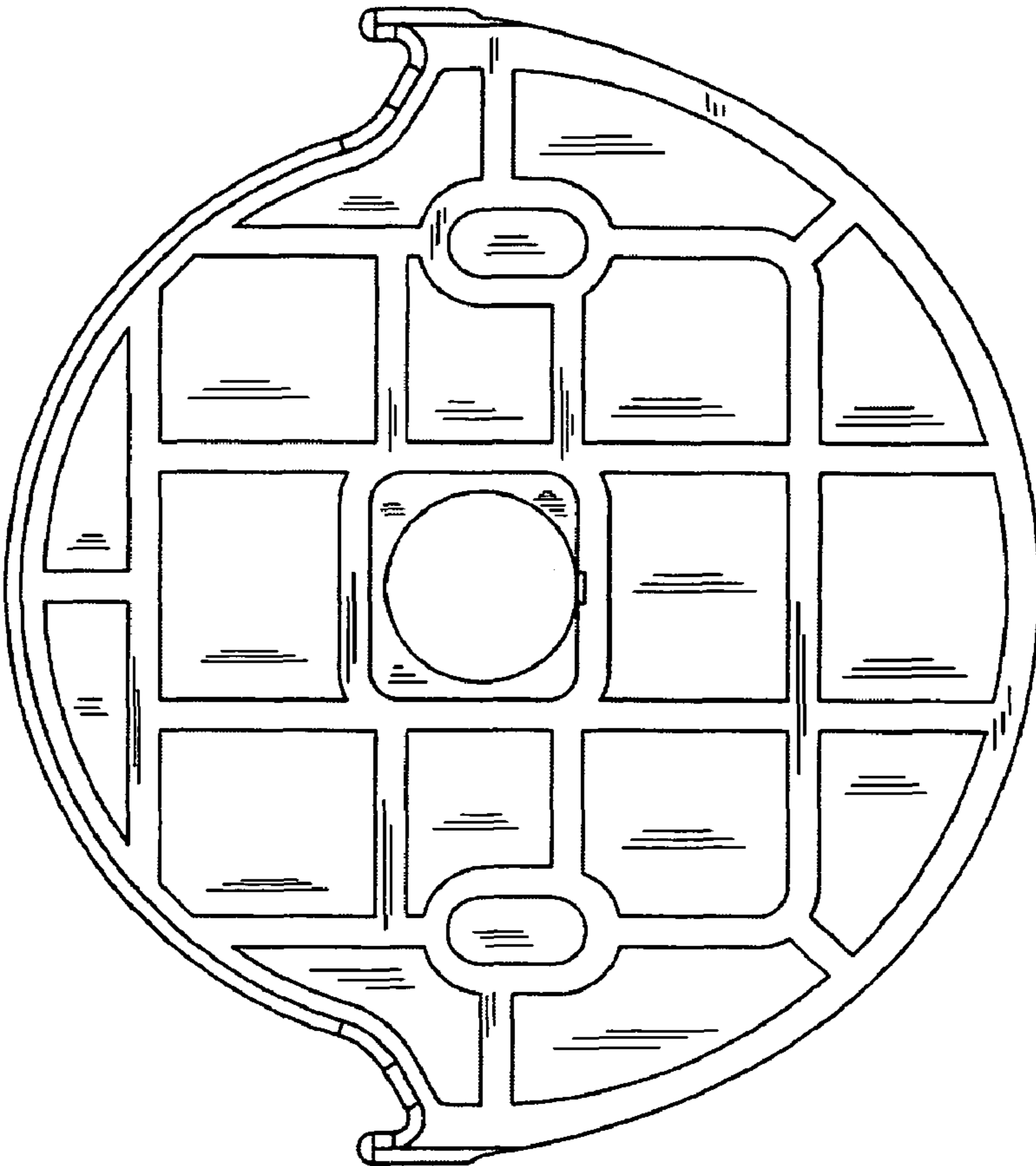


Fig. 3

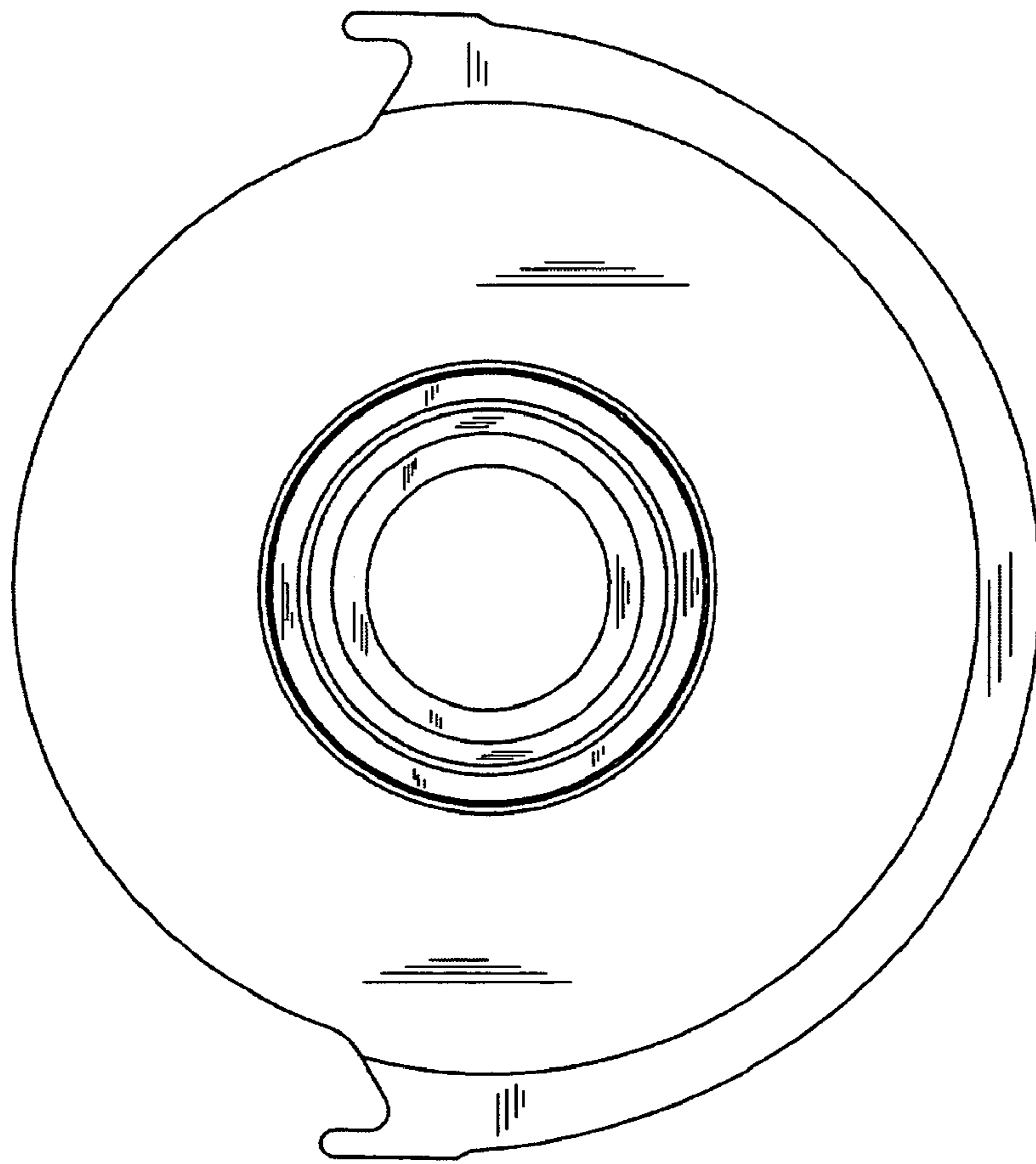


Fig. 4

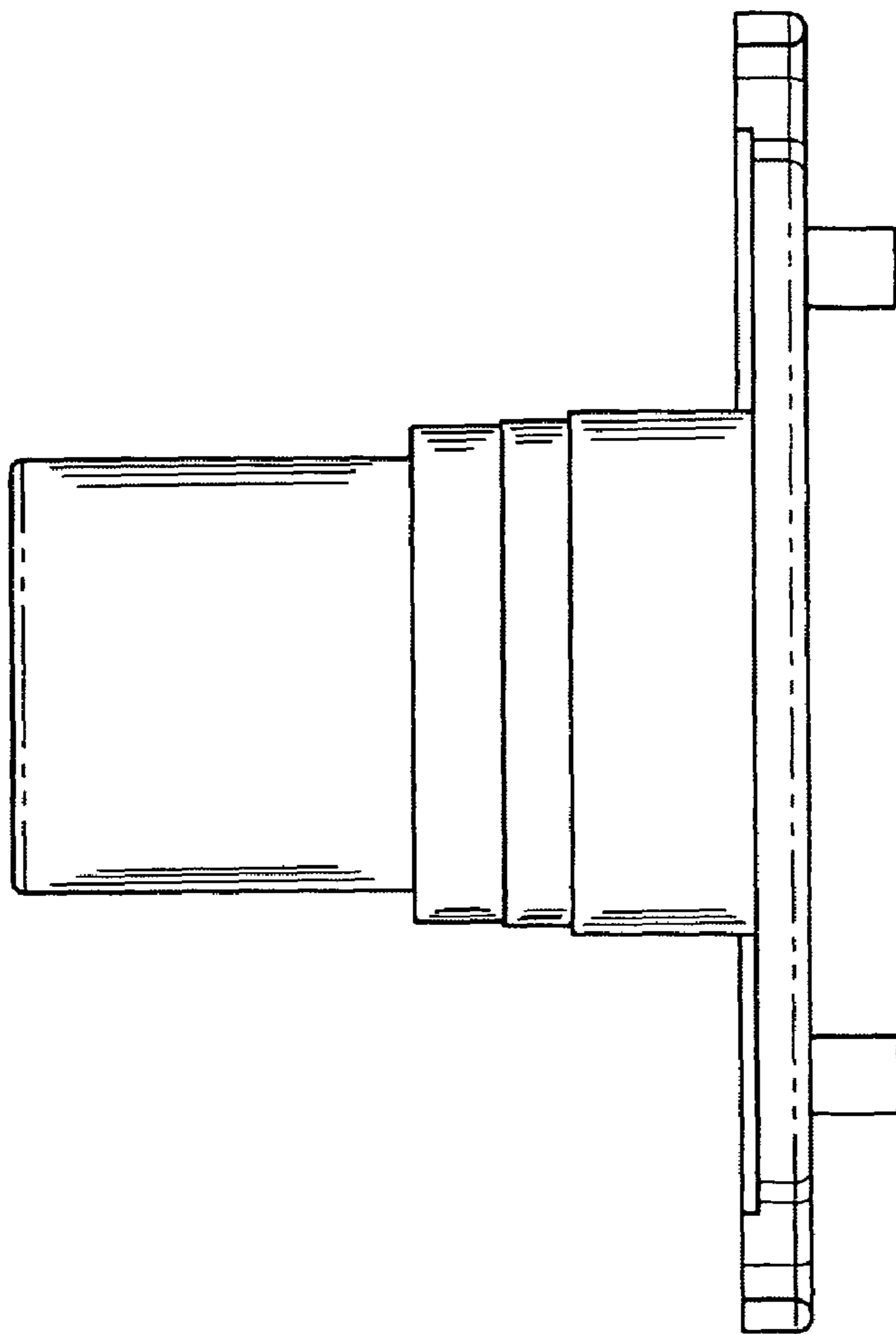


Fig. 5

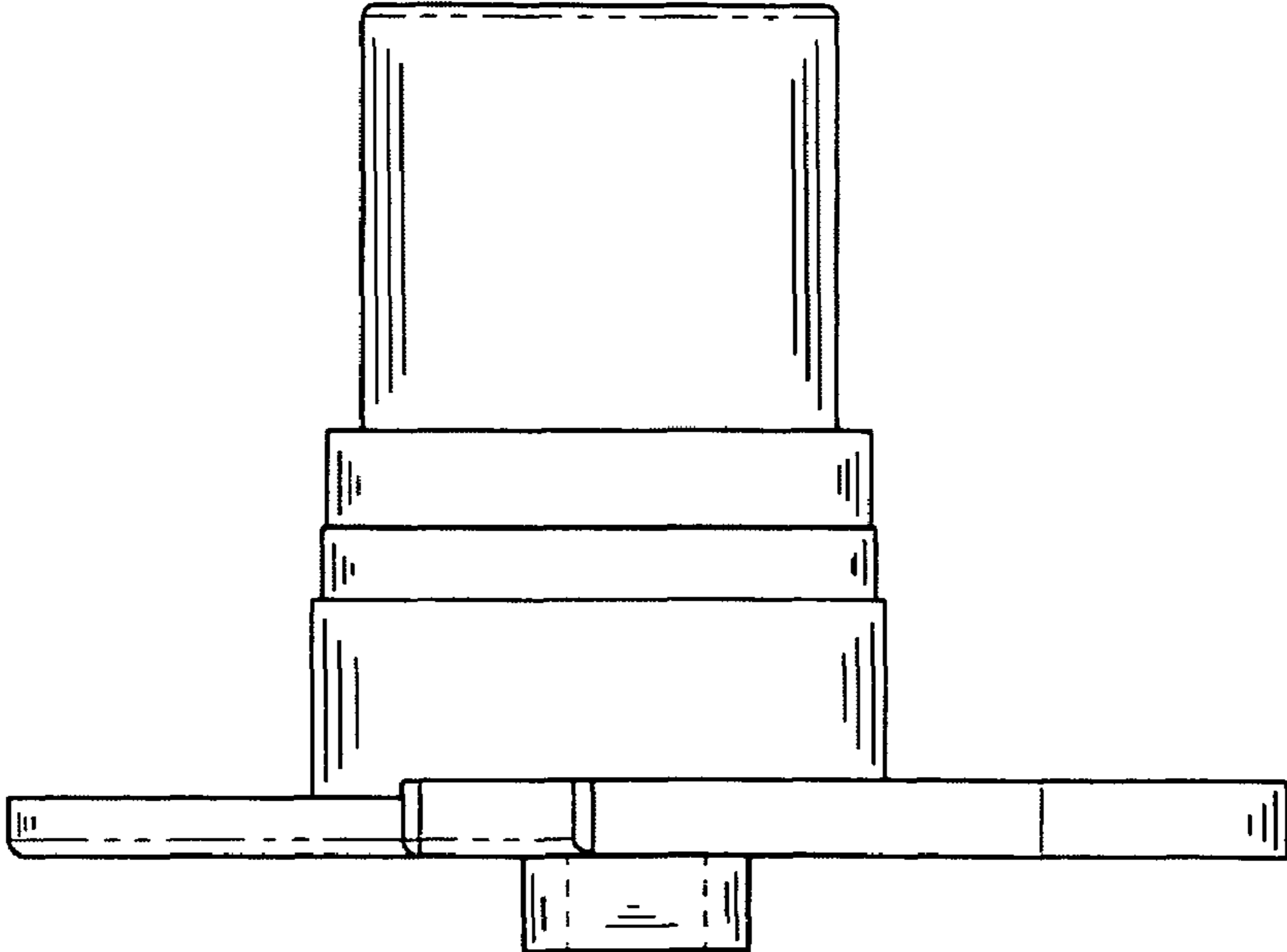


Fig. 6

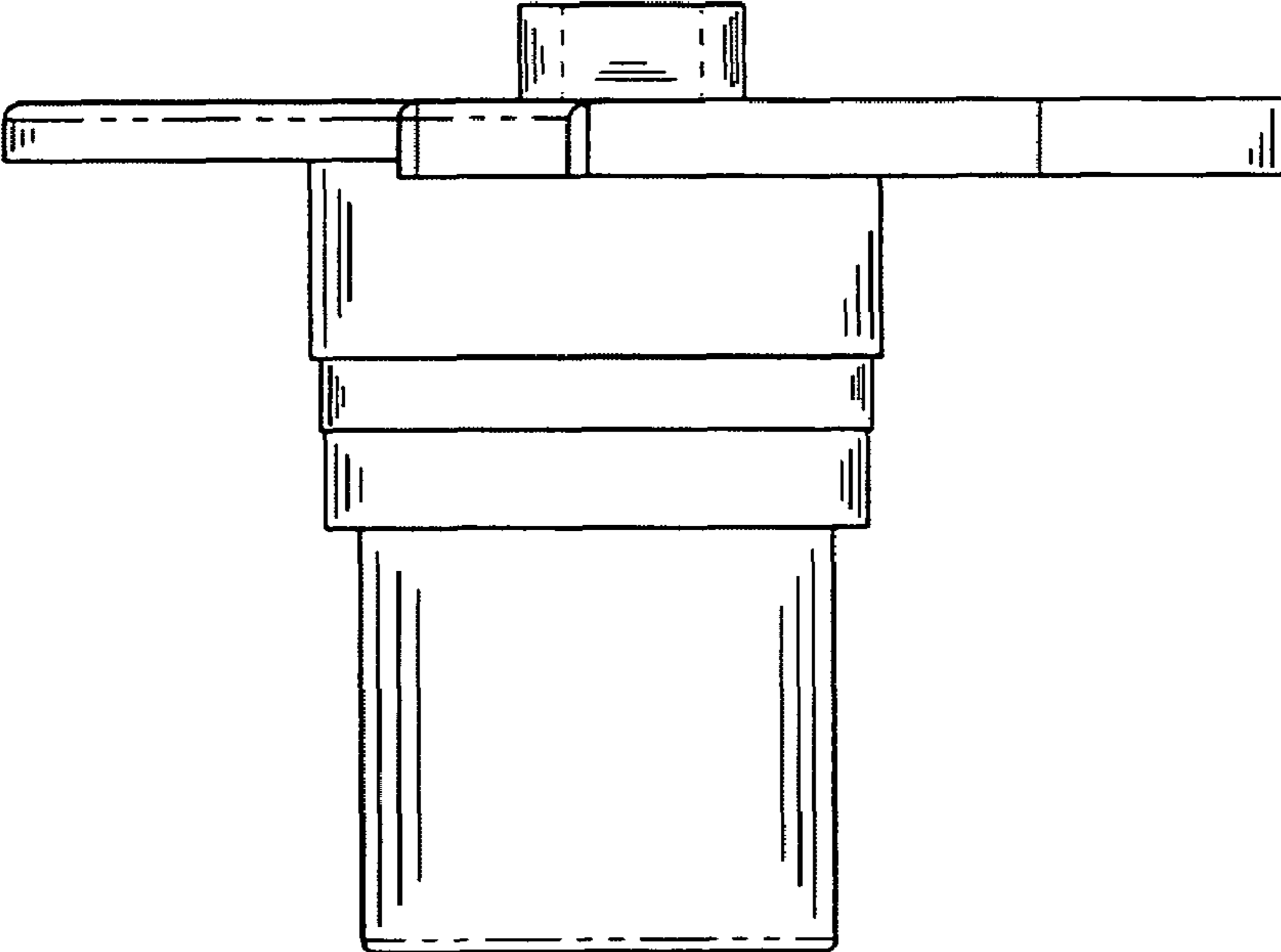


Fig. 7