



US00D658417S

(12) **United States Design Patent**
Kusmer et al.

(10) **Patent No.:** **US D658,417 S**

(45) **Date of Patent:** **** May 1, 2012**

(54) **JEWELRY RACK**

(75) Inventors: **Raymond J. Kusmer**, Escondido, CA (US); **Laura J. Milani**, Chicago, IL (US)

(73) Assignee: **American Innotek, Inc.**, Escondido, CA (US)

(**) Term: **14 Years**

(21) Appl. No.: **29/394,884**

(22) Filed: **Jun. 22, 2011**

(51) **LOC (9) Cl.** **06-04**

(52) **U.S. Cl.** **D6/567**

(58) **Field of Classification Search** D3/304, D3/306; 206/202, 513, 557; 211/13.1, 41.3, 211/41.4, 86.01, 88.01, 134, 126.1, 181.1; 248/302; 220/485, 488; D6/513, 553, 567, D6/525

See application file for complete search history.

(56) **References Cited**

U.S. PATENT DOCUMENTS

D335,232 S *	5/1993	Whitlock	D6/525
D365,232 S *	12/1995	Briault	D6/513
D392,804 S *	3/1998	Wilkening et al.	D6/513
D451,054 S *	11/2001	Thom et al.	D6/513
7,080,416 B1 *	7/2006	Portnell	D6/525
D608,574 S *	1/2010	Goodman et al.	D6/513
D636,198 S *	4/2011	Gibbs	D6/567
D639,092 S *	6/2011	Lundy	D6/513

OTHER PUBLICATIONS

AAC-Brown—Wall Mount Earring Holder—Hanging Jewelry Organizer—Necklace Storage Rack Display—Closet Organizer for Jewelry—Angelynn’s Accessory Angel.

ATH2—Satin Nichel Silver—Angelynn’s Wall Mount Long Necklace Holder—Hanging Jewelry Organizer—Hook or Hoop Earring Storage Rack—Display Stand—Closet Organizer for Jewelry. Wall Mounted Jewelry Organizer Klutter Killer by Kevinearle. Overdoor Jewelry Organizer by Longstem Productions. Wall Mount Earrings Bracelets Necklace Ring Hanger/Jewelry Organizer.

* cited by examiner

Primary Examiner — Brian N Vinson

(74) *Attorney, Agent, or Firm* — Gordon & Rees LLP

(57) **CLAIM**

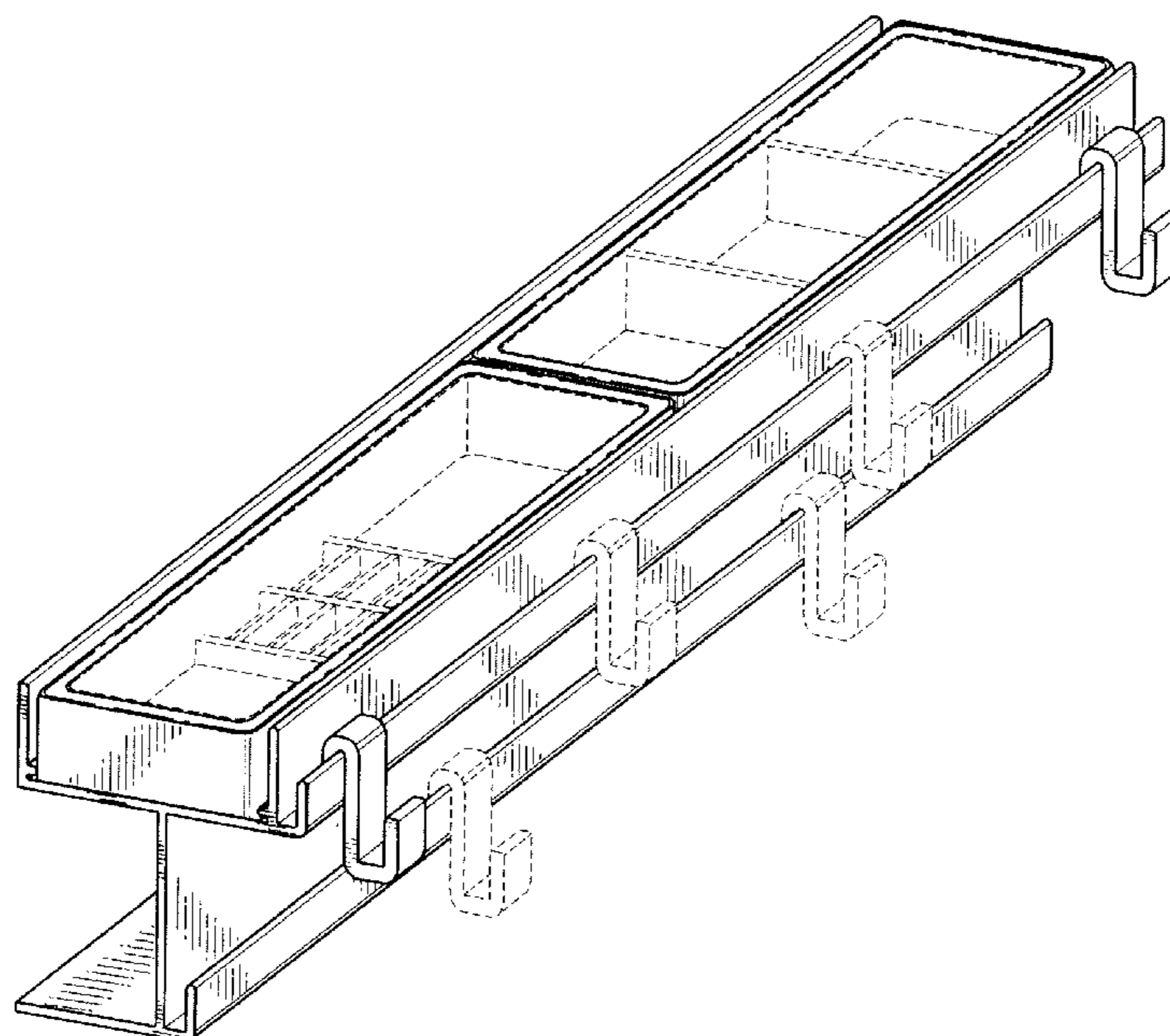
The ornamental design for a jewelry rack, as shown and described.

DESCRIPTION

FIG. 1 is a perspective view of a jewelry rack showing our new design;
FIG. 2 is an additional perspective view thereof;
FIG. 3 is a top plan view thereof;
FIG. 4 is a bottom plan view thereof;
FIG. 5 is a front elevational view thereof;
FIG. 6 is a rear elevational view thereof;
FIG. 7 is a left side elevational view thereof; and,
FIG. 8 is a right side elevation view thereof.

The broken-line disclosure in the views is understood to represent portions of the article in which the claimed design is embodied, but which form no part of the claimed design as well as environmental structure shown for illustrative purposes only and also forming no part of the claimed design.

1 Claim, 5 Drawing Sheets



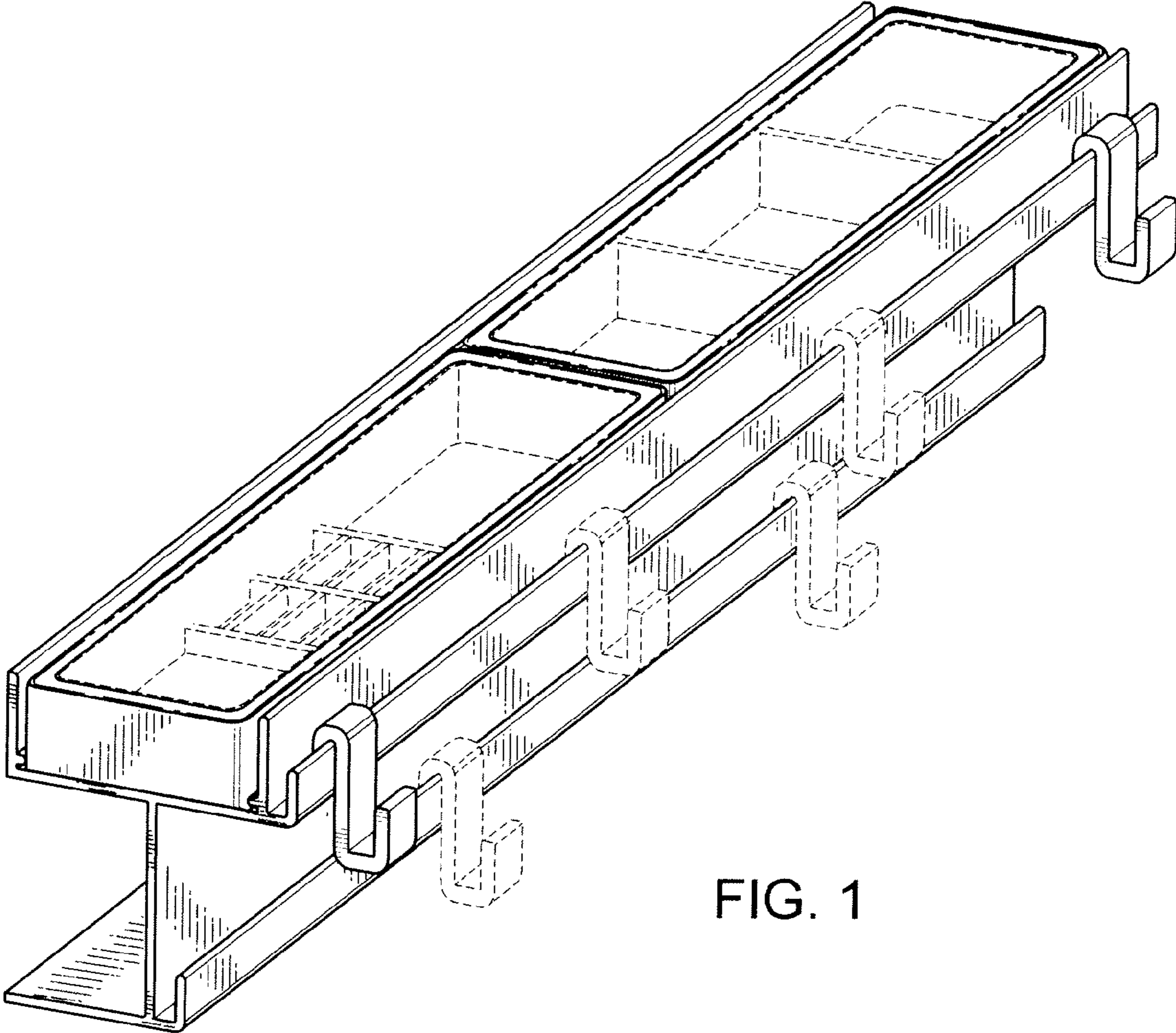


FIG. 1

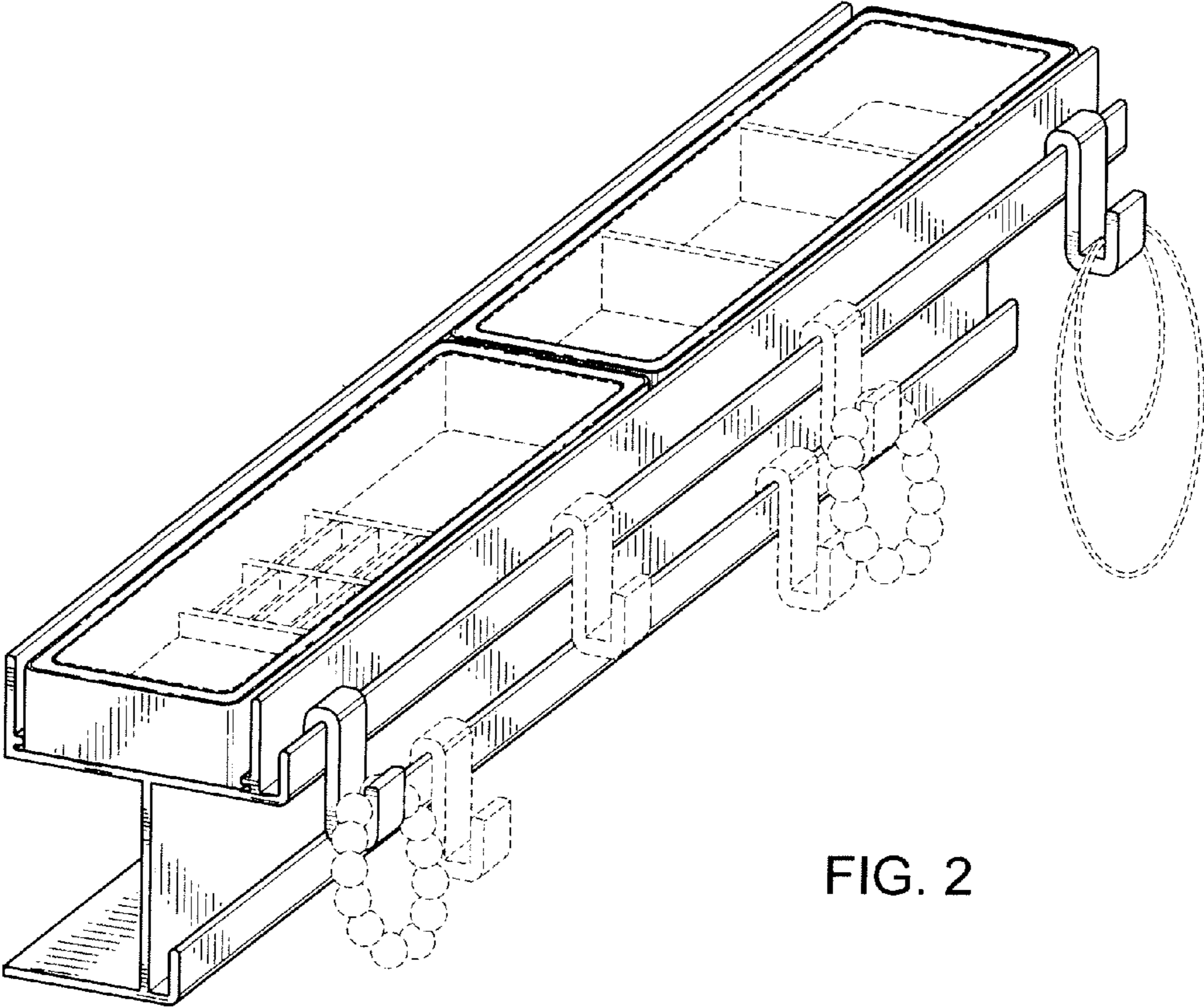


FIG. 2

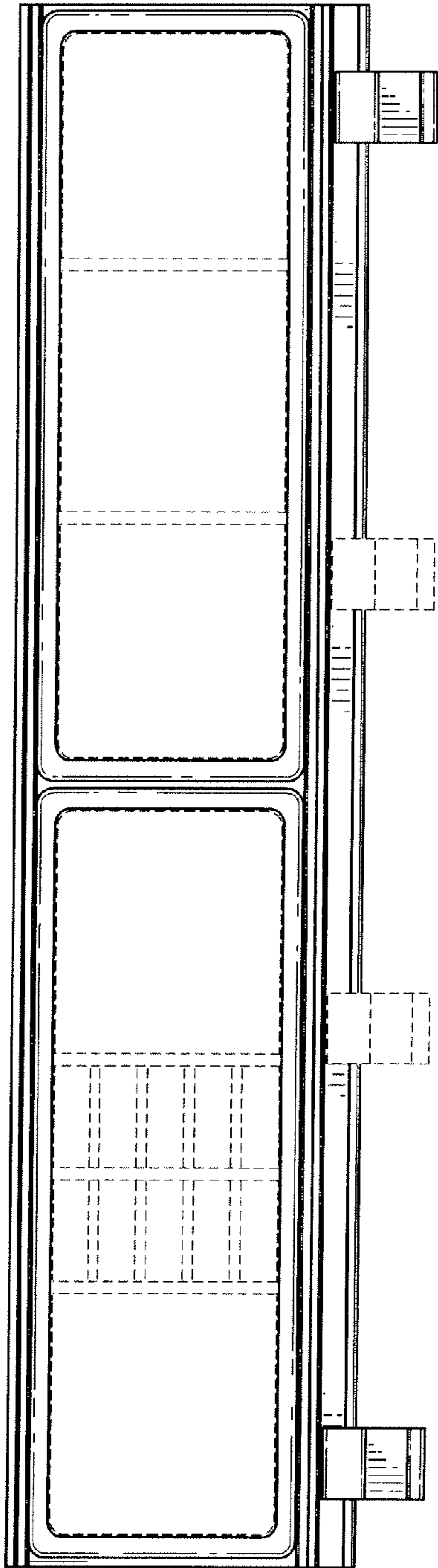


FIG. 3

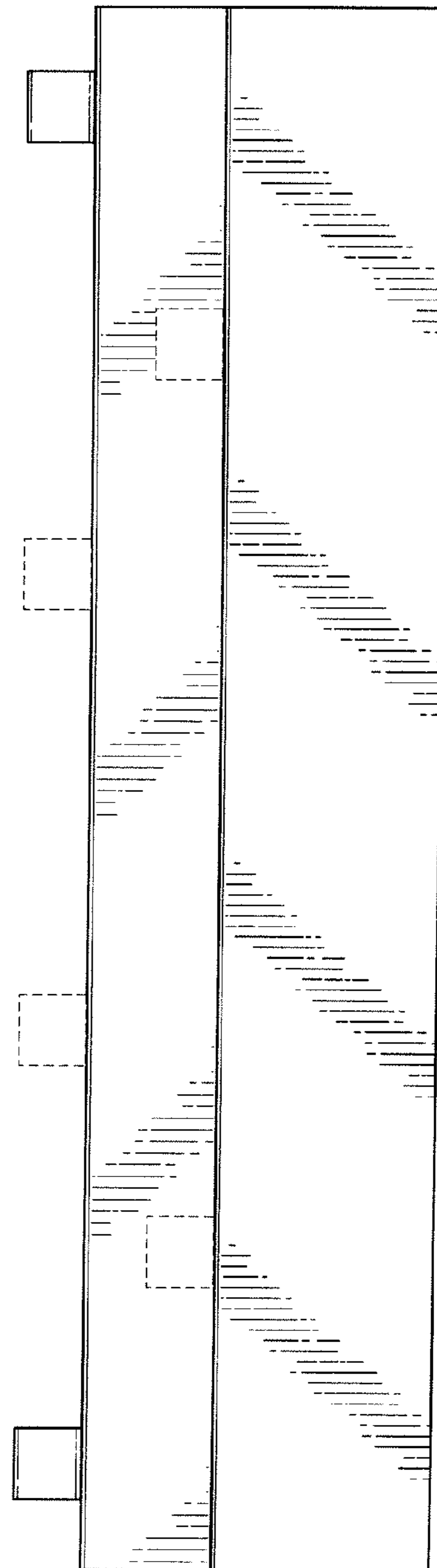


FIG. 4

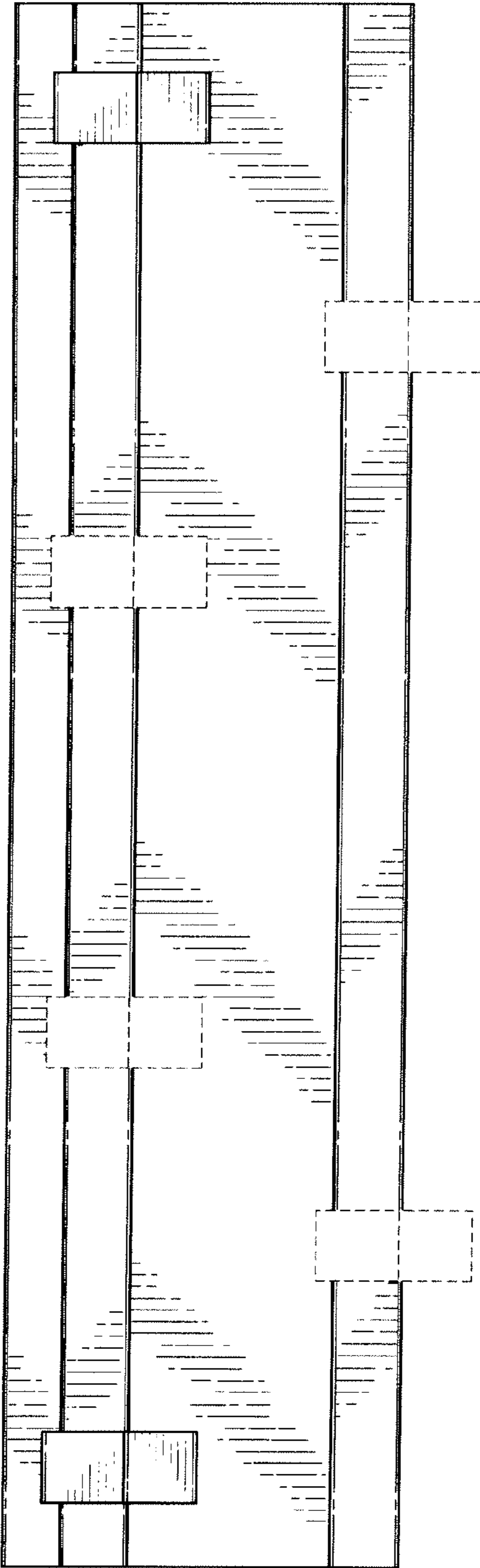


FIG. 5

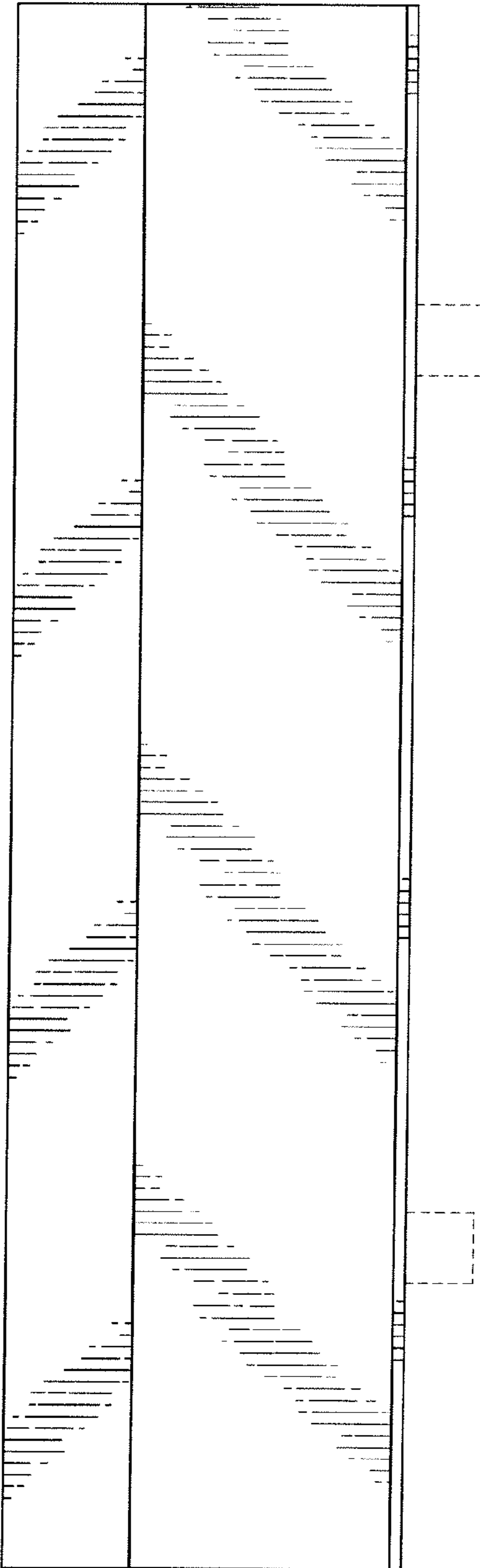


FIG. 6

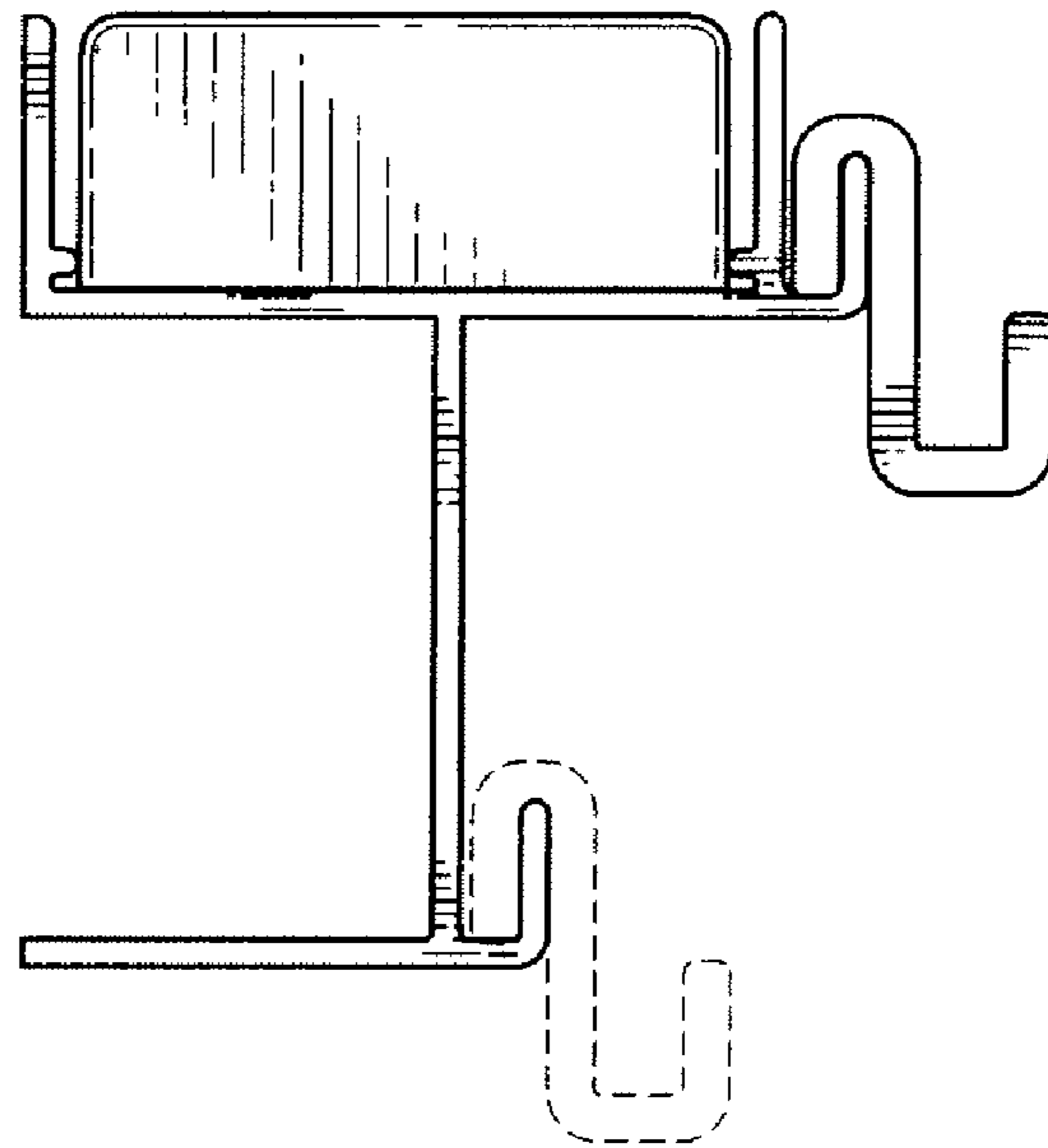


FIG. 7

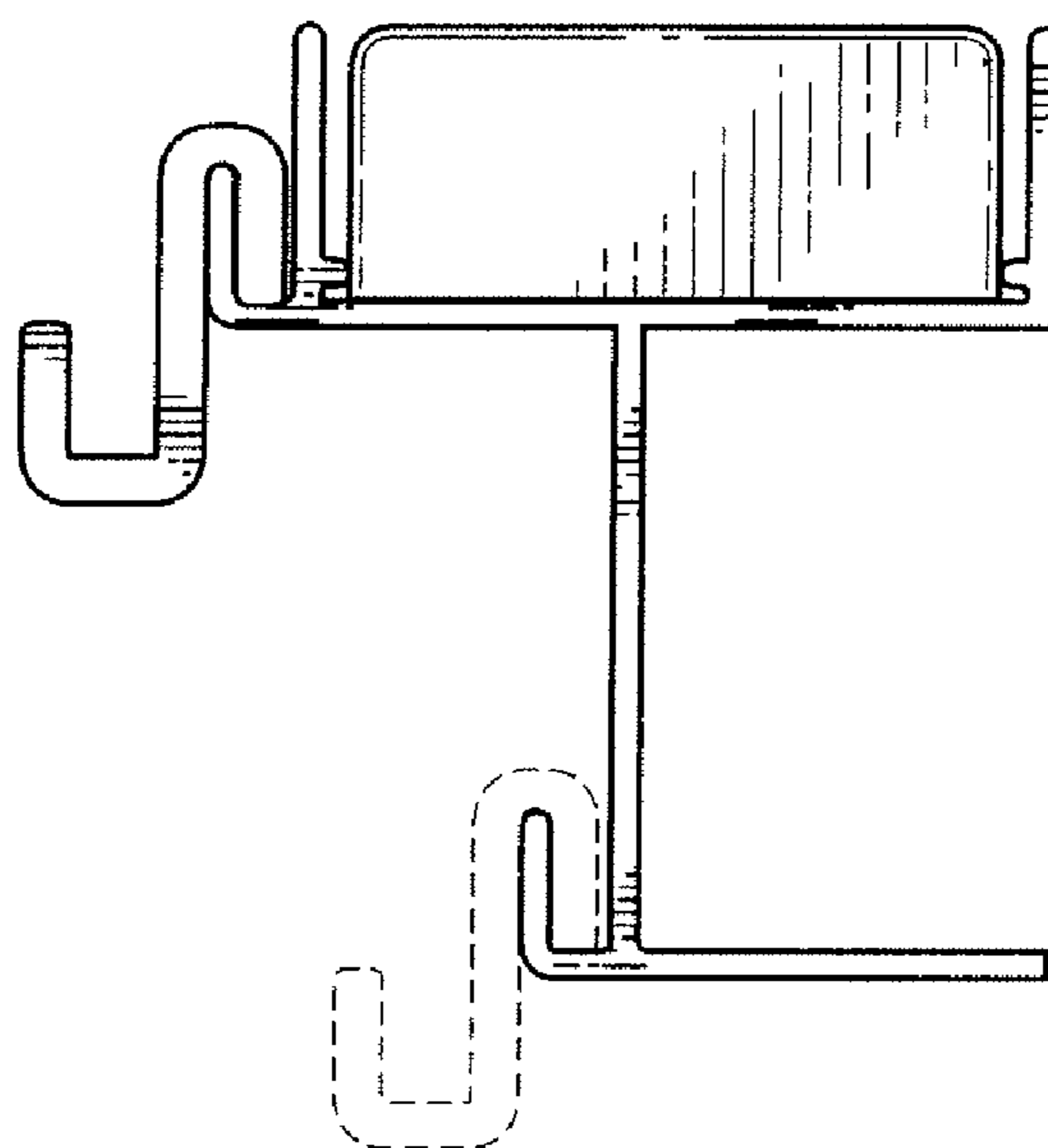


FIG. 8