



US00D658416S

(12) **United States Design Patent**
Strickland

(10) **Patent No.:** **US D658,416 S**

(45) **Date of Patent:** **** May 1, 2012**

(54) **MODULAR LAMP SHADE HOLDER**

(75) Inventor: **Jerry Strickland**, Jonesboro, AR (US)

(73) Assignee: **Mastercraft International Ltd.**, Hong Kong (HK)

(**) Term: **14 Years**

(21) Appl. No.: **29/388,976**

(22) Filed: **Apr. 5, 2011**

(51) **LOC (9) Cl.** **06-04**

(52) **U.S. Cl.** **D6/553**

(58) **Field of Classification Search** D6/512,
D6/553, 567; 206/77.1; 211/13.1, 86.01,
211/87.01; D8/349, 354, 363, 373, 394
See application file for complete search history.

(56) **References Cited**

U.S. PATENT DOCUMENTS

| | | | | |
|--------------|---------|-----------------|-------|--------|
| D438,415 S * | 3/2001 | Pohl | | D6/567 |
| D482,557 S * | 11/2003 | Shih | | D6/553 |
| D520,794 S * | 5/2006 | Grover | | D6/567 |
| D544,273 S * | 6/2007 | Greggs | | D6/553 |
| D587,947 S * | 3/2009 | Valiulis et al. | | D6/553 |
| D607,252 S * | 1/2010 | Meyer | | D6/567 |

* cited by examiner

Primary Examiner — Brian N Vinson

(74) *Attorney, Agent, or Firm* — Dennis B. Haase

(57) **CLAIM**

The ornamental design for a modular lamp shade holder, as shown and described.

DESCRIPTION

FIG. 1 is a top, front, and left side perspective view of a first embodiment of a modular lamp shade holder showing my new design;

FIG. 2 is a top, rear, and left side perspective view of a second embodiment of a modular lamp shade holder, the only difference from the first embodiment residing in the presence of a recess in the horizontal member which would permit the vertical member to be retracted;

FIG. 3 is a top plan view of the first embodiment thereof;

FIG. 4 is a front elevational view of the first embodiment thereof;

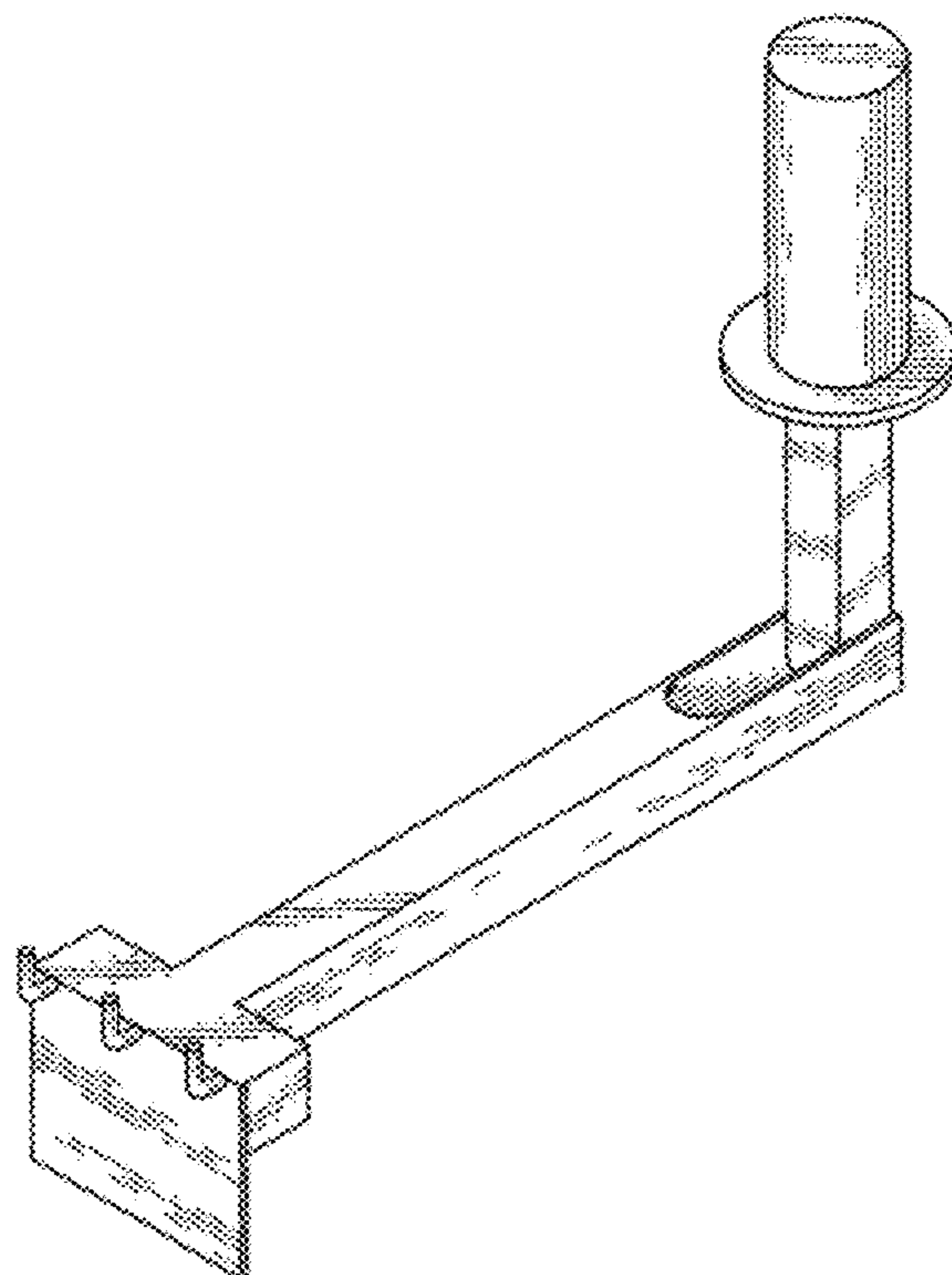
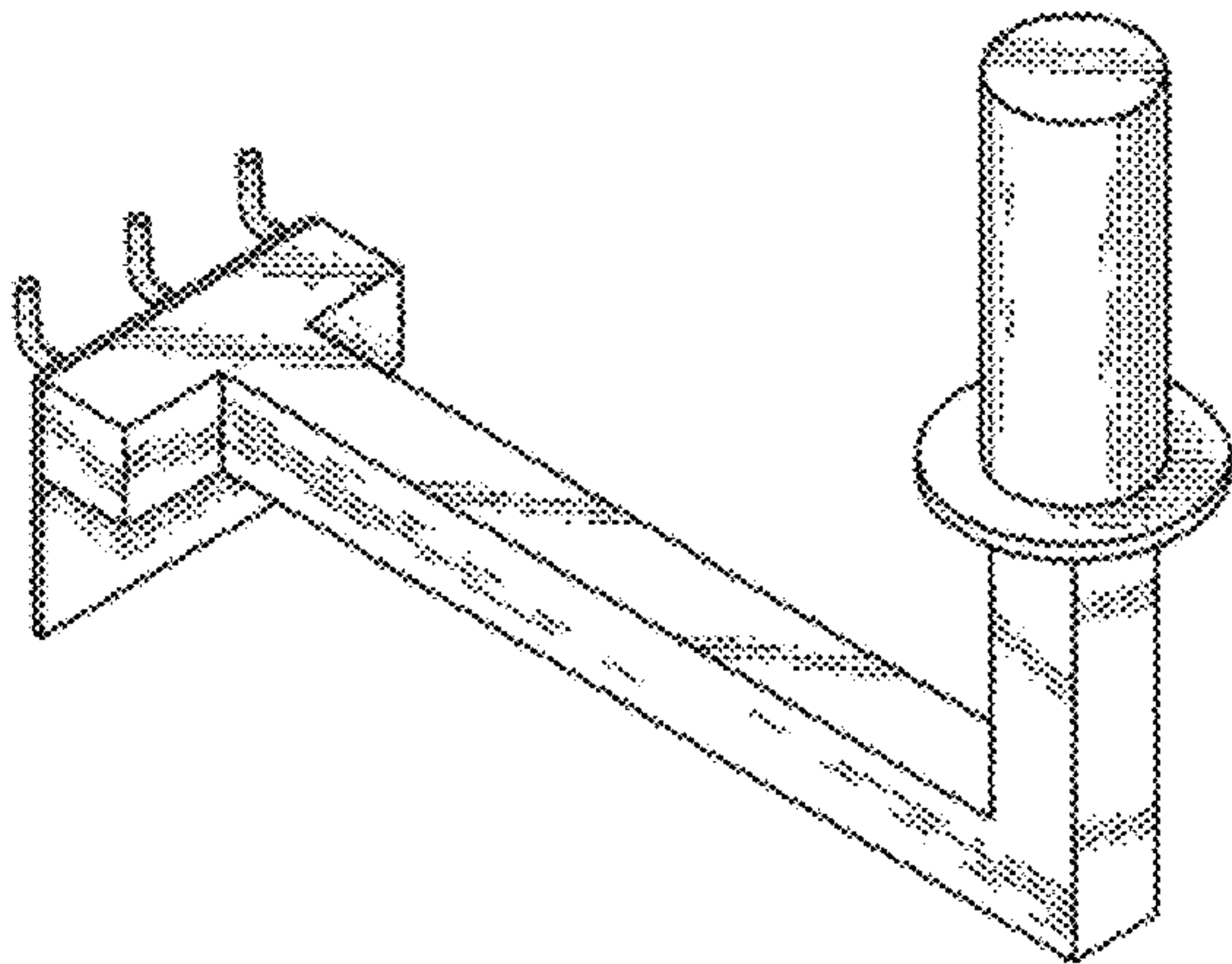
FIG. 5 is a rear elevational view of the first embodiment thereof;

FIG. 6 is a bottom plan view of the first embodiment thereof;

FIG. 7 is a left side elevational view of the first embodiment thereof; and,

FIG. 8 is an additional top, front, and left side perspective view of the first embodiment thereof, with the broken-line disclosure of a fragment of a pegboard and lamp shade being for illustrative purposes only and forming no part of the claimed design.

1 Claim, 3 Drawing Sheets



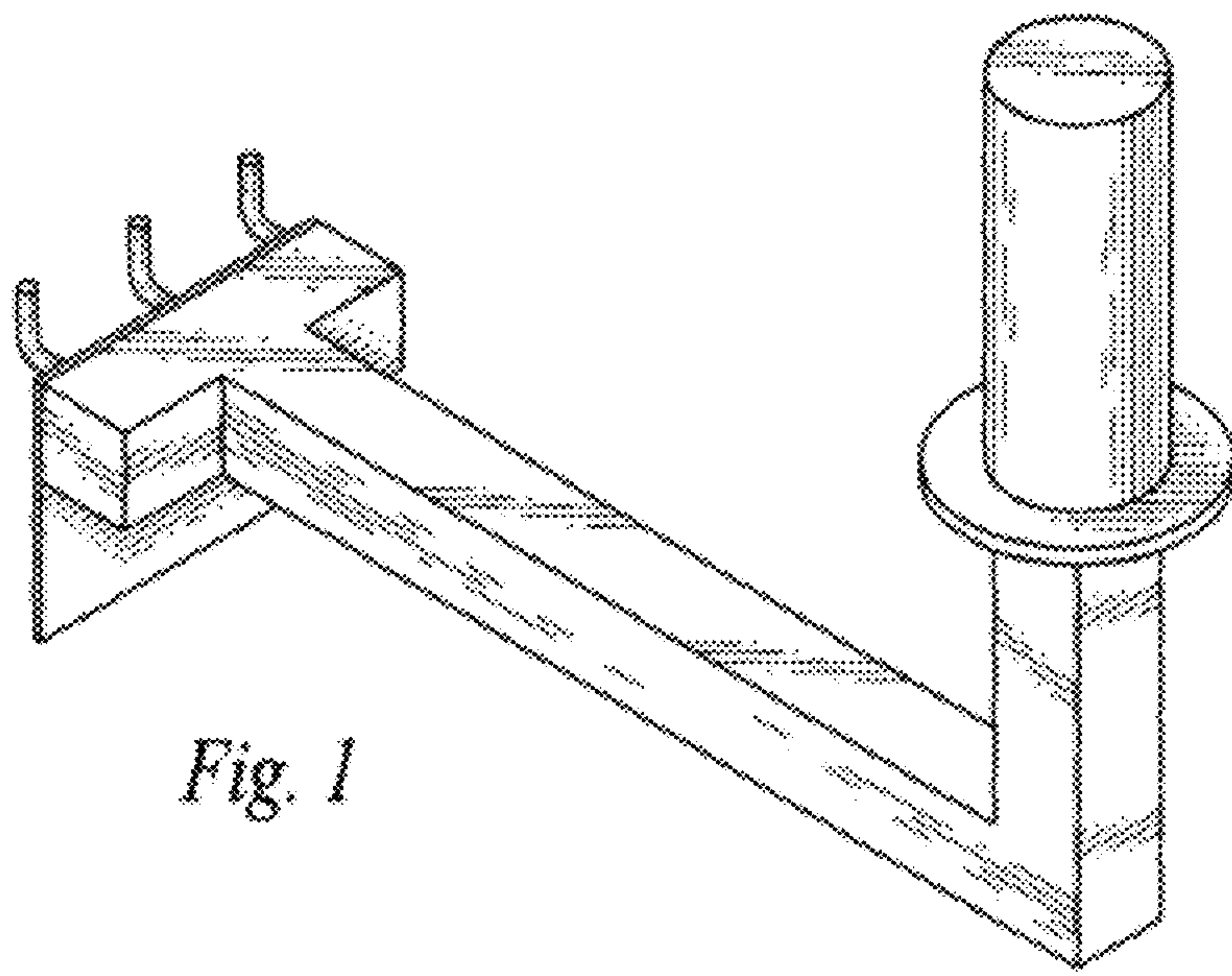


Fig. 1

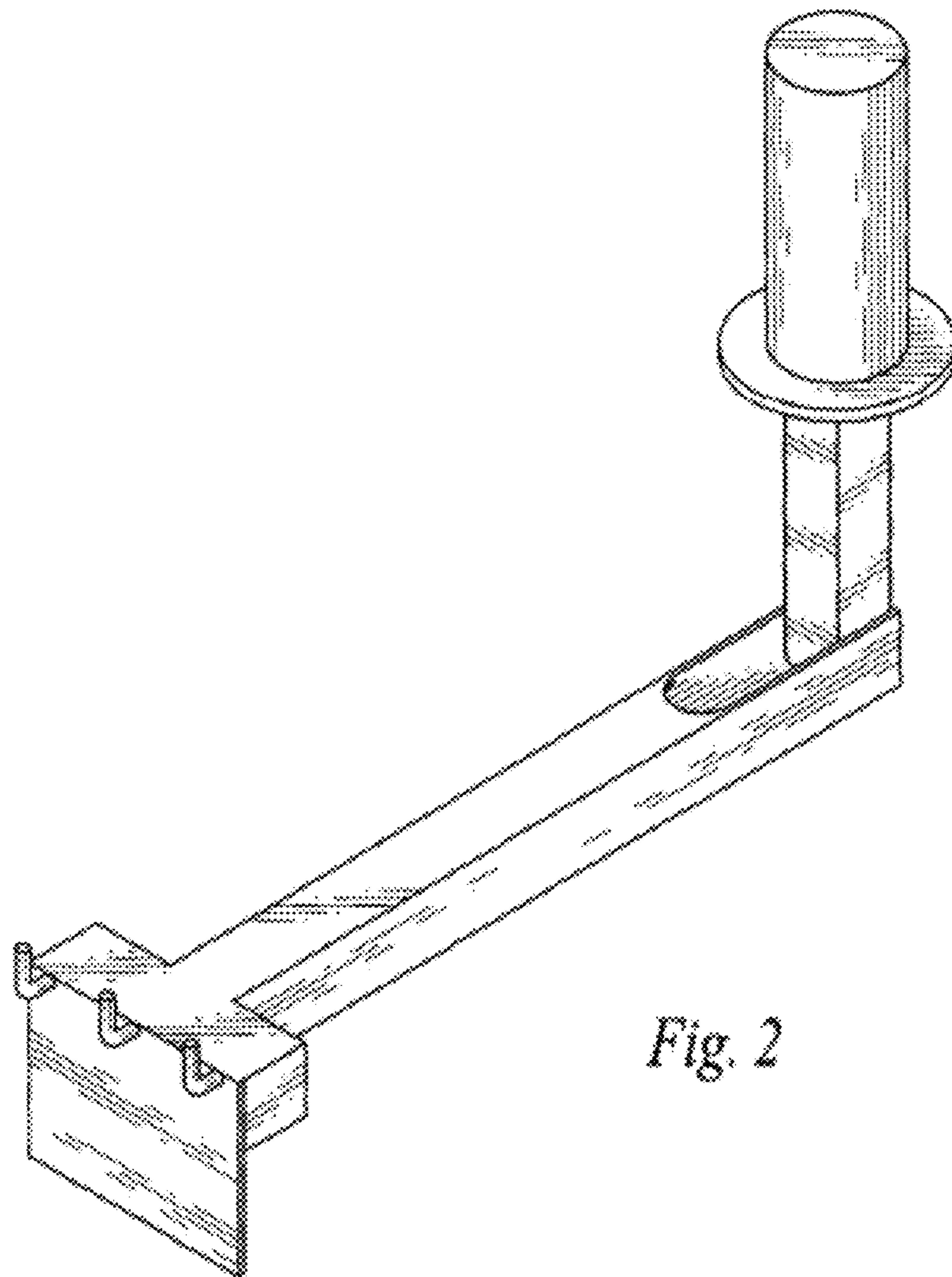


Fig. 2

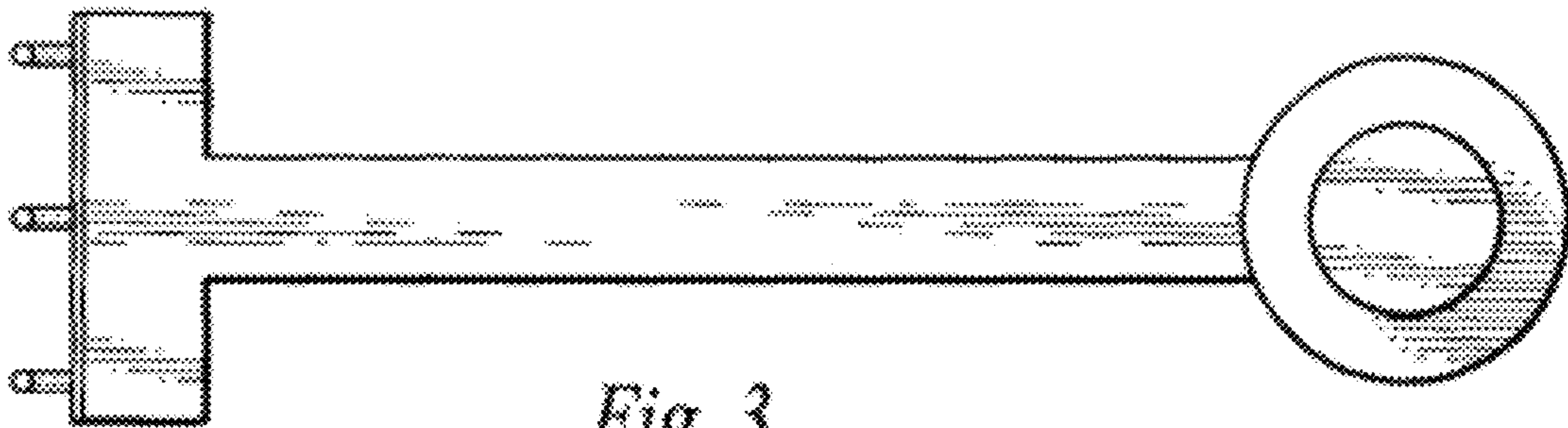


Fig. 3

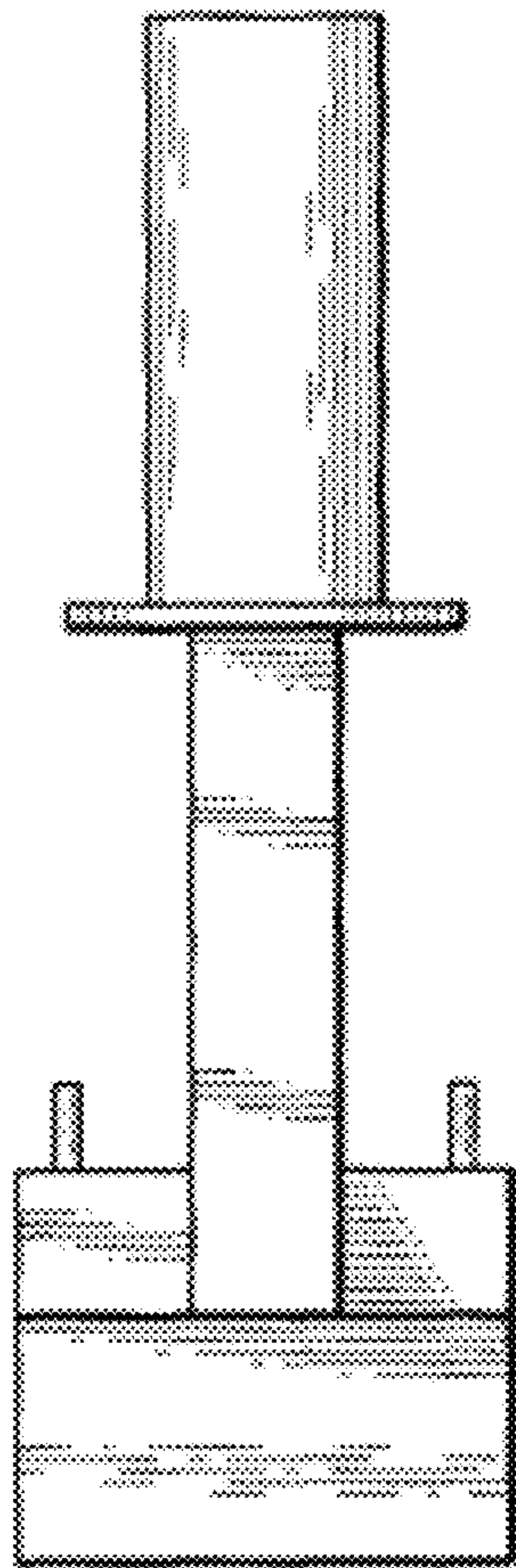


Fig. 4

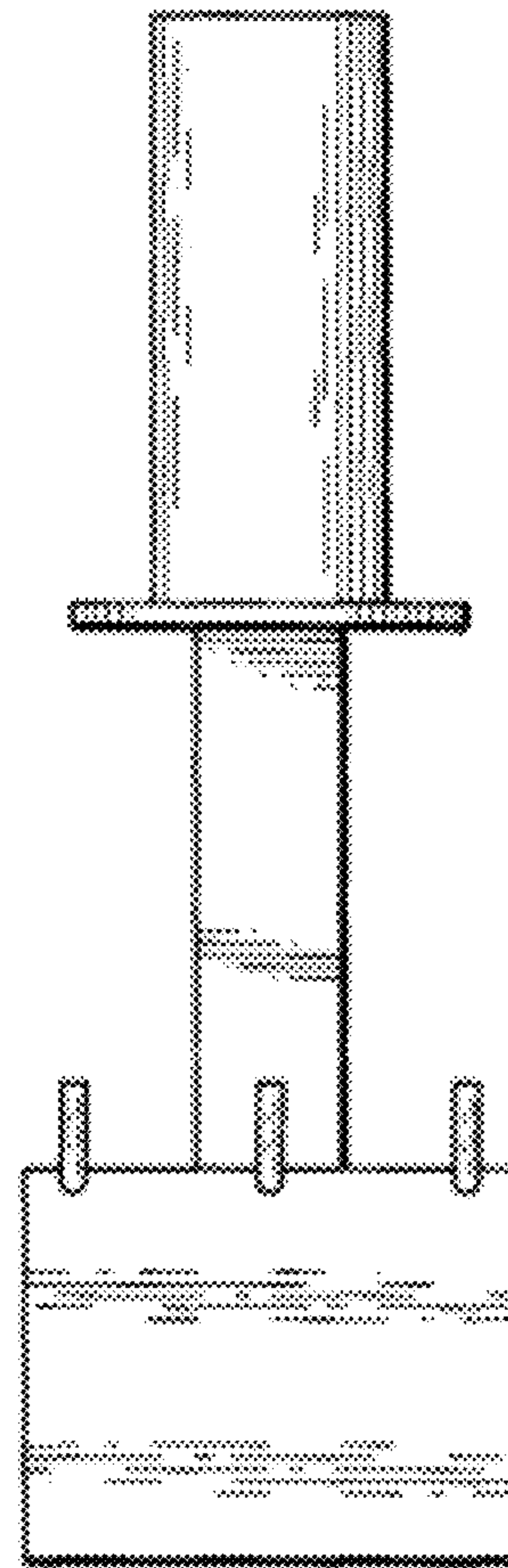


Fig. 5

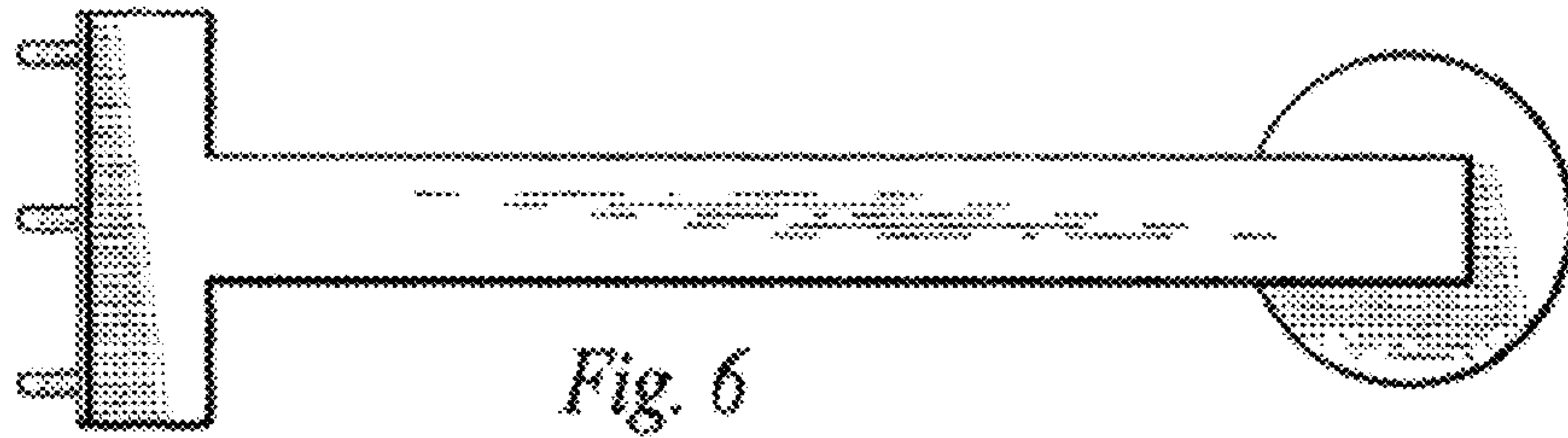


Fig. 6

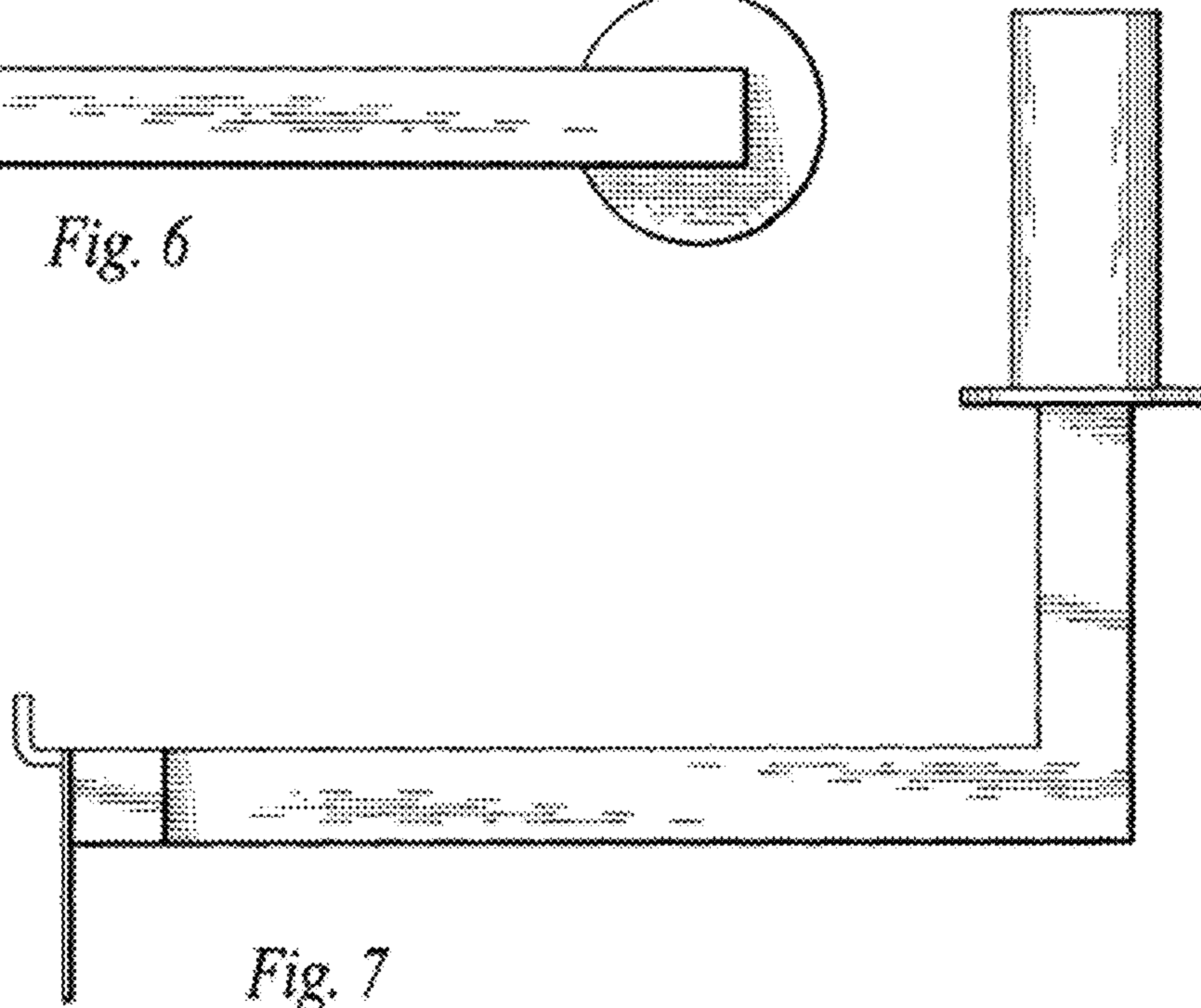


Fig. 7

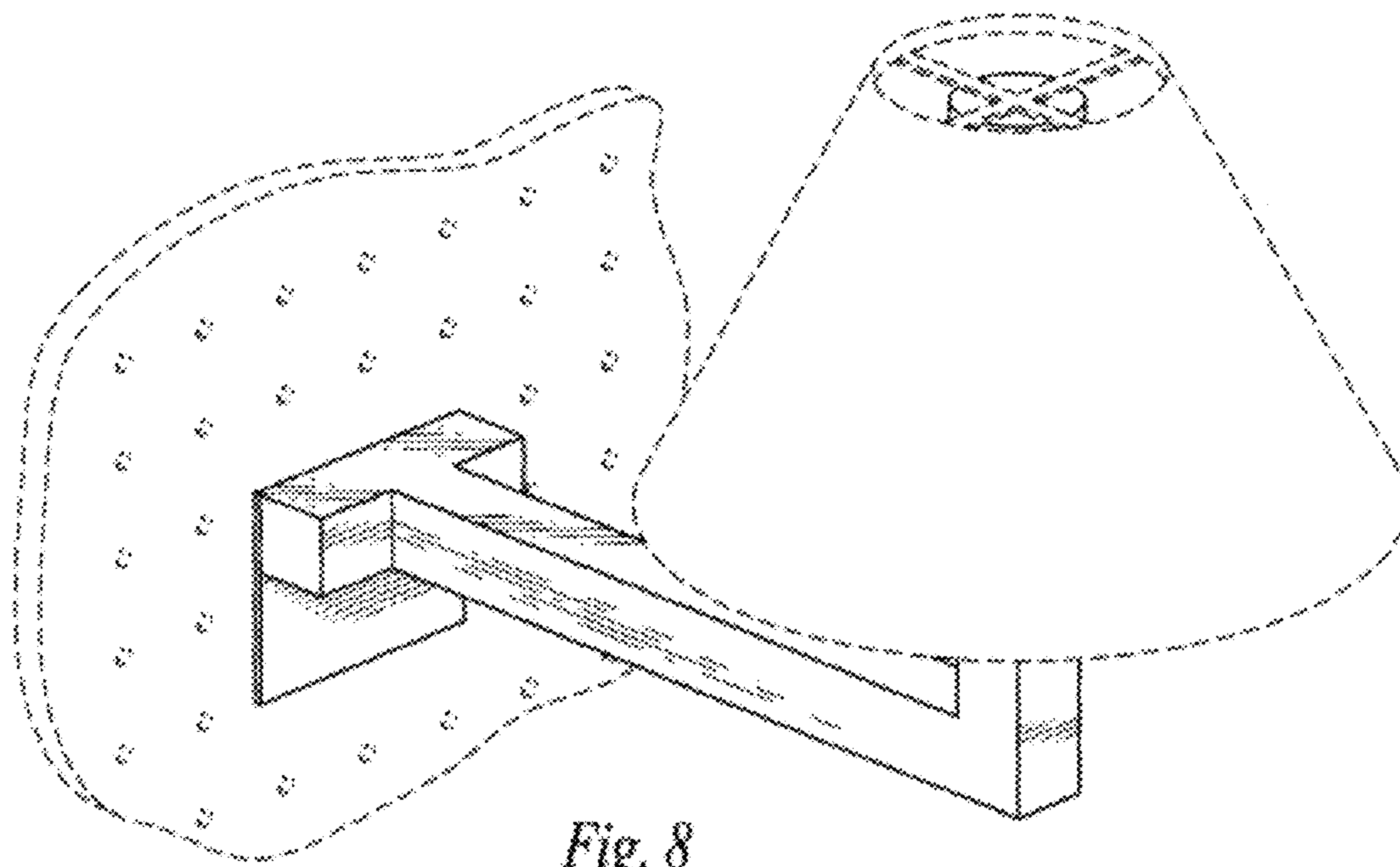


Fig. 8