



US00D658415S

(12) **United States Design Patent**  
**Li**

(10) **Patent No.:** **US D658,415 S**

(45) **Date of Patent:** **\*\* May 1, 2012**

(54) **SHOWER GEL CONTAINER**

(76) Inventor: **Kun-Yi Li**, Tainan (TW)

(\*\*) Term: **14 Years**

(21) Appl. No.: **29/389,186**

(22) Filed: **Apr. 7, 2011**

(51) **LOC (9) Cl.** ..... **23-02**

(52) **U.S. Cl.** ..... **D6/542**

(58) **Field of Classification Search** ..... D6/542-545,  
D6/524, 527-528, 530-531; 221/282; 222/14,  
222/173, 146.3, 628, 251, 181.1, 181.3; D9/682,  
D9/688, 690, 691, 448, 449, 549, 564  
See application file for complete search history.

(56) **References Cited**

U.S. PATENT DOCUMENTS

D311,653 S *	10/1990	Lindauer	.....	D6/542
D406,482 S *	3/1999	Kerr	.....	D6/542
D483,588 S *	12/2003	Ellis	.....	D6/542
D550,011 S *	9/2007	Kennard	.....	D6/542
D605,045 S *	12/2009	Lablaine	.....	D9/564
D611,820 S *	3/2010	Dodge et al.	.....	D9/549

D631,364 S *	1/2011	Da Vinci et al.	.....	D9/564
D643,731 S *	8/2011	Booth et al.	.....	D9/564
D650,687 S *	12/2011	Schriner et al.	.....	D9/564

\* cited by examiner

*Primary Examiner* — Brian N Vinson

(74) *Attorney, Agent, or Firm* — WPAT, P.C.; Anthony King

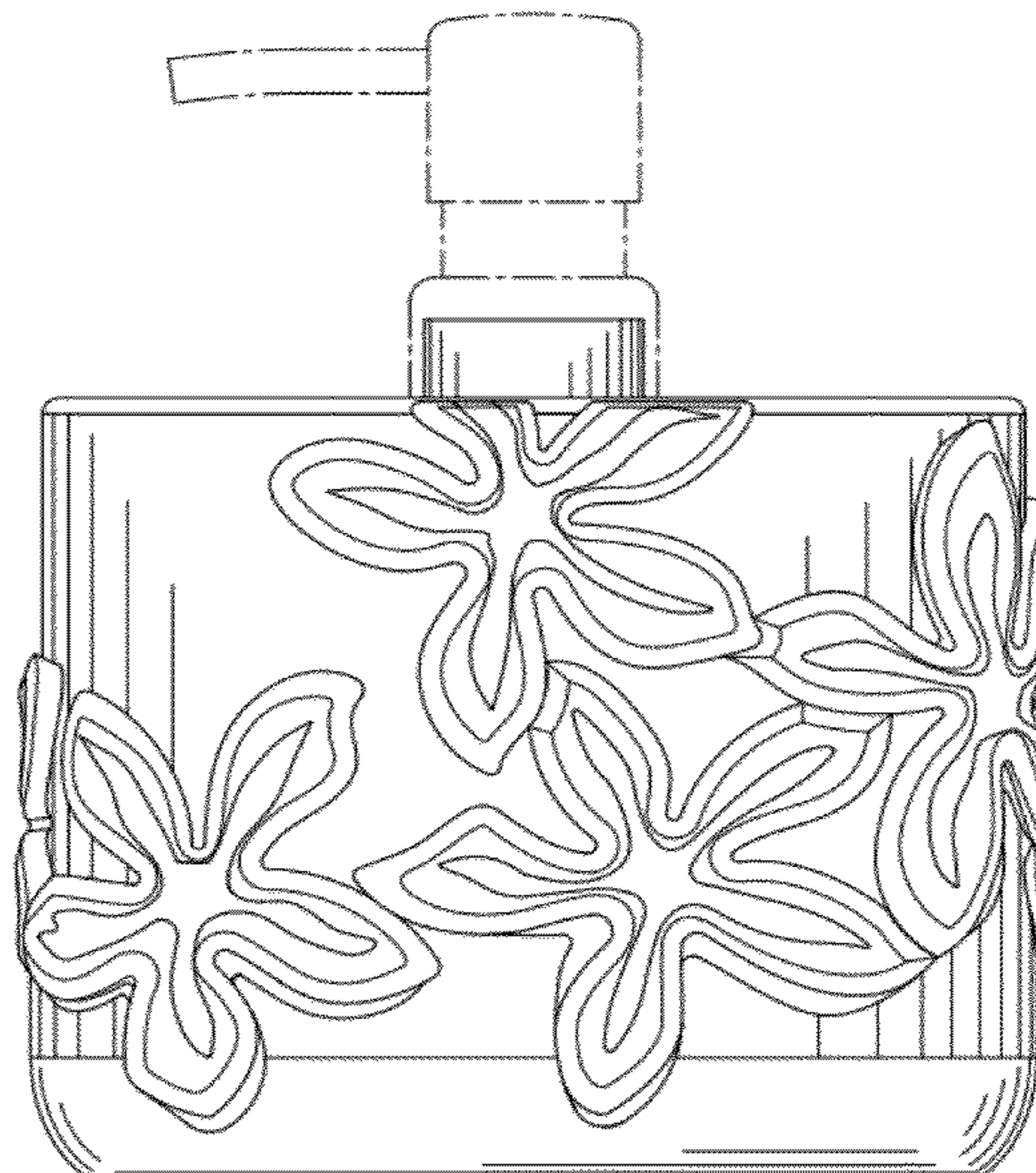
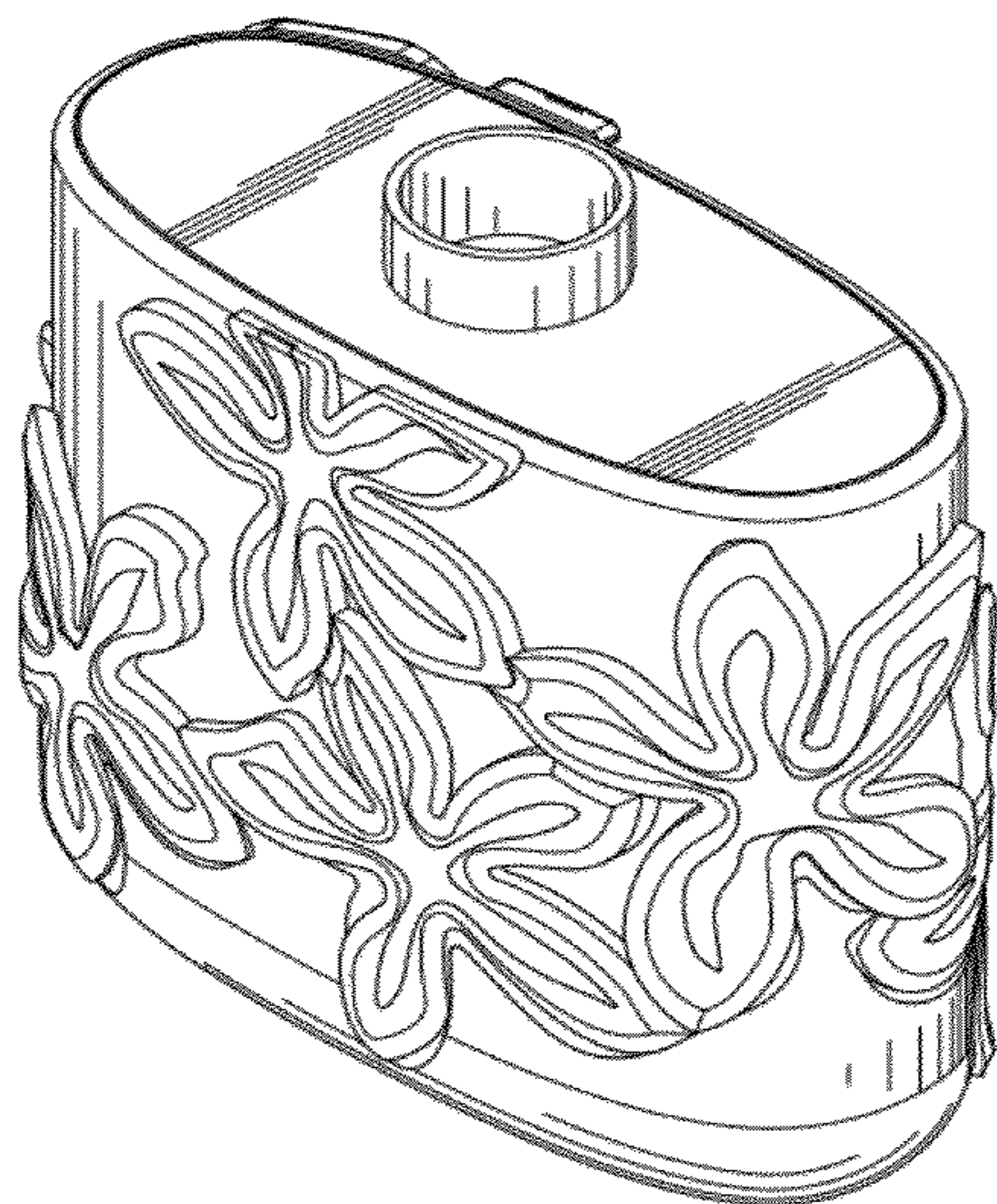
(57) **CLAIM**

The ornamental design for a shower gel container, as shown and described.

**DESCRIPTION**

FIG. 1 is a top and front perspective view of a shower gel container showing my present design; FIG. 2 is a front elevational view thereof; FIG. 3 is a rear elevational view thereof; FIG. 4 is a left side elevational view thereof; FIG. 5 is a right side elevational view thereof; FIG. 6 is a top plan view thereof; FIG. 7 is a bottom plan view thereof; and, FIG. 8 is an additional front elevational view thereof, the broken-line disclosure being for illustrative purposes only and forming no part of the claimed design.

**1 Claim, 6 Drawing Sheets**



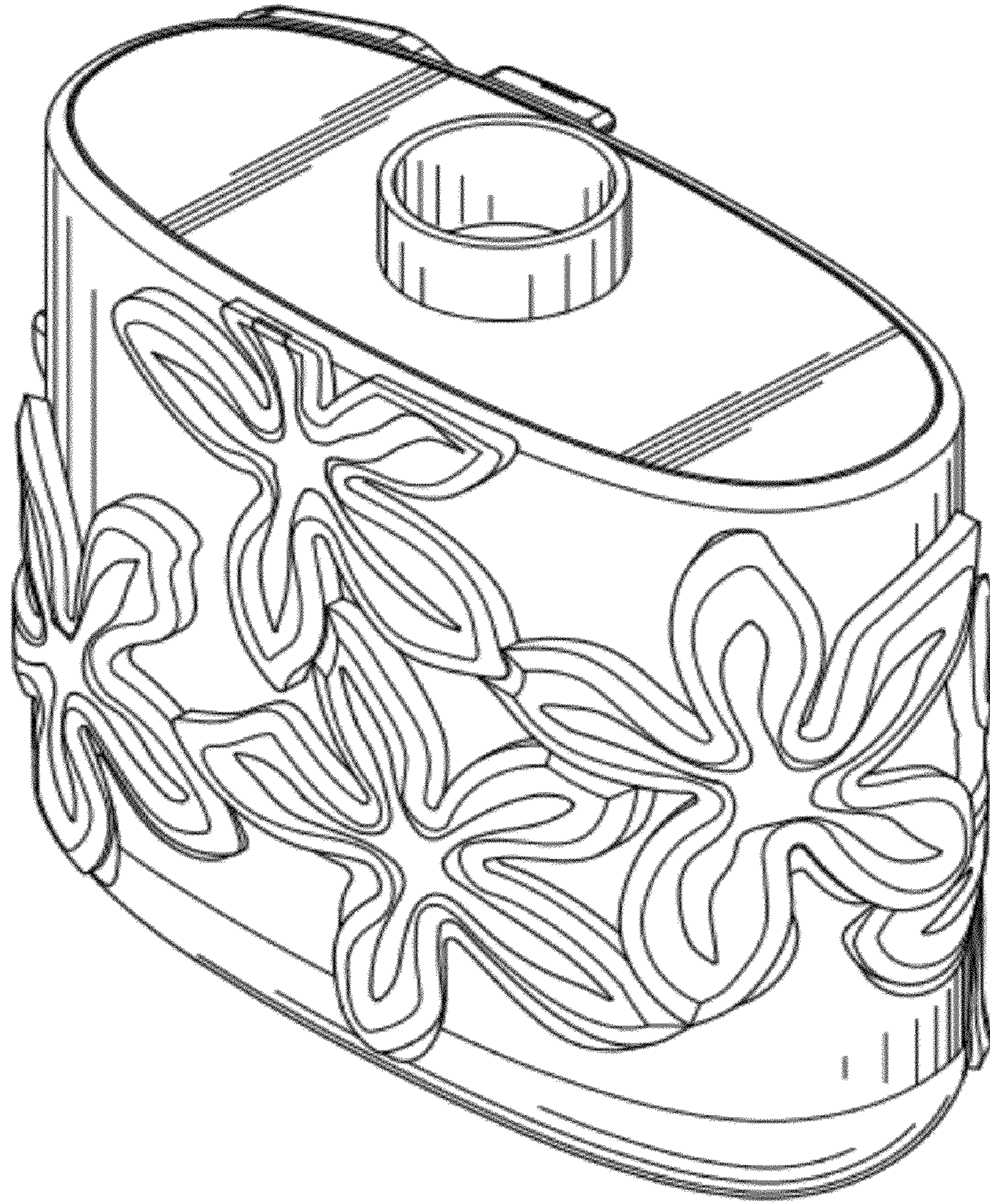


FIG. 1

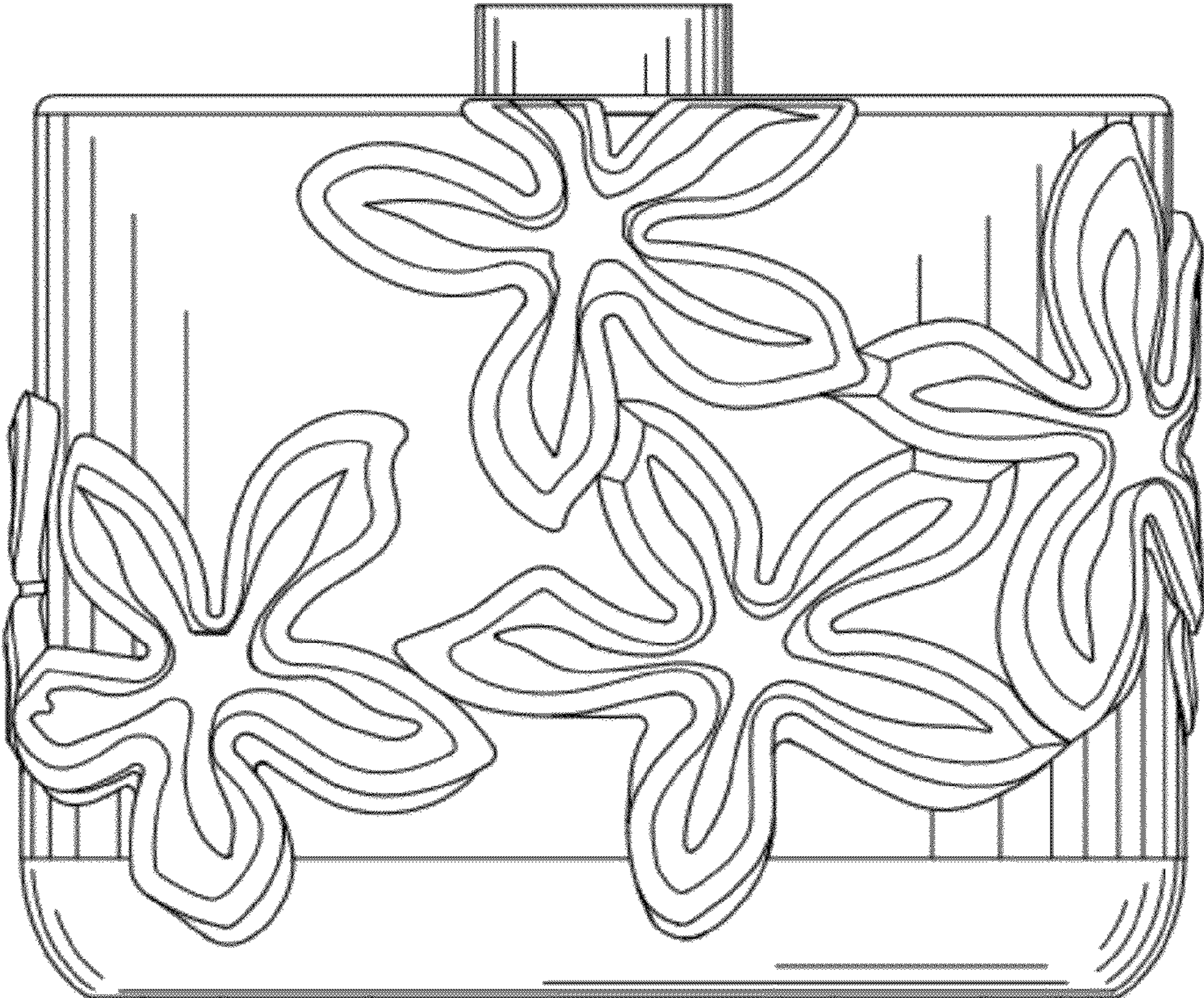


FIG . 2

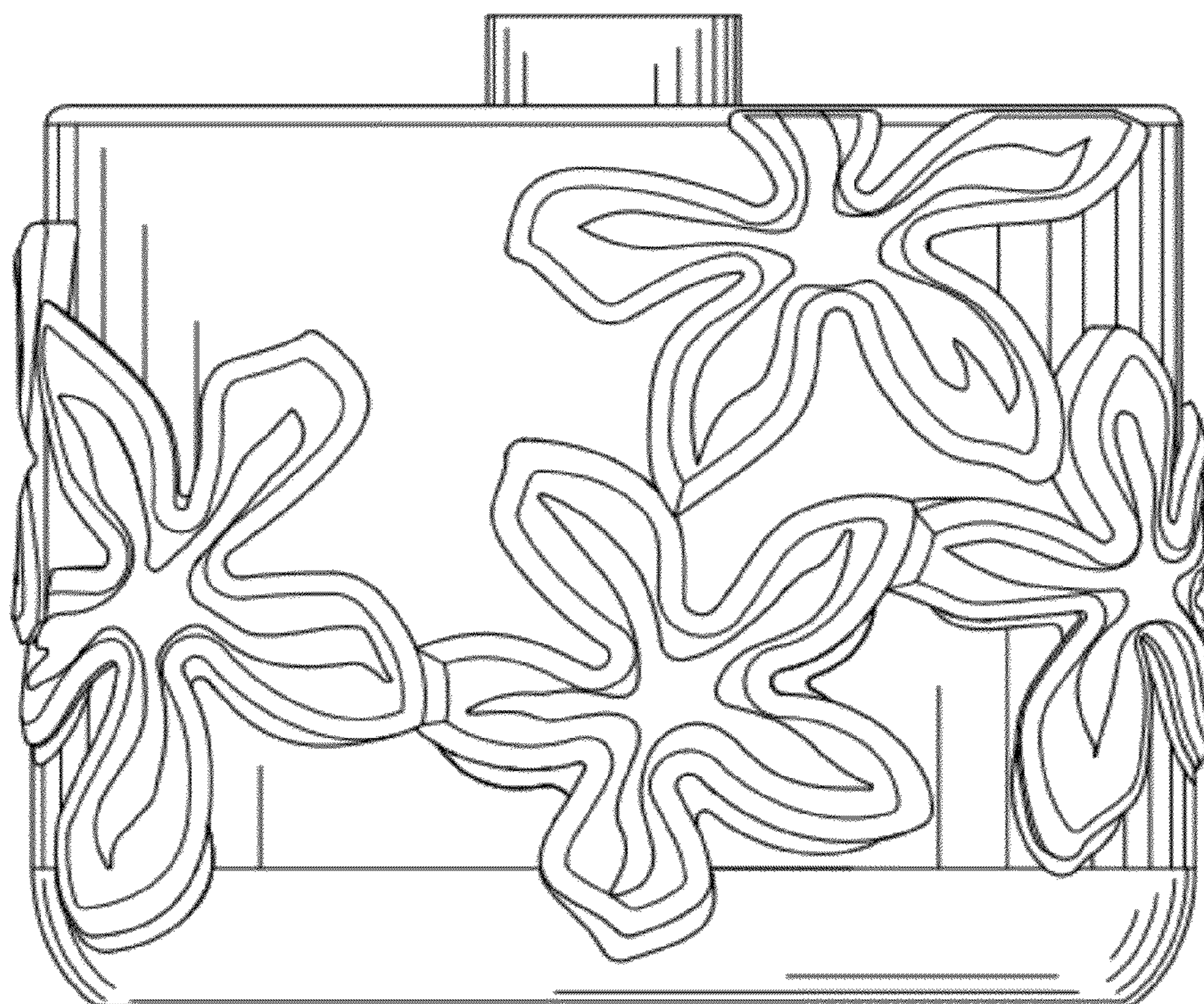


FIG. 3



FIG. 4



FIG. 5

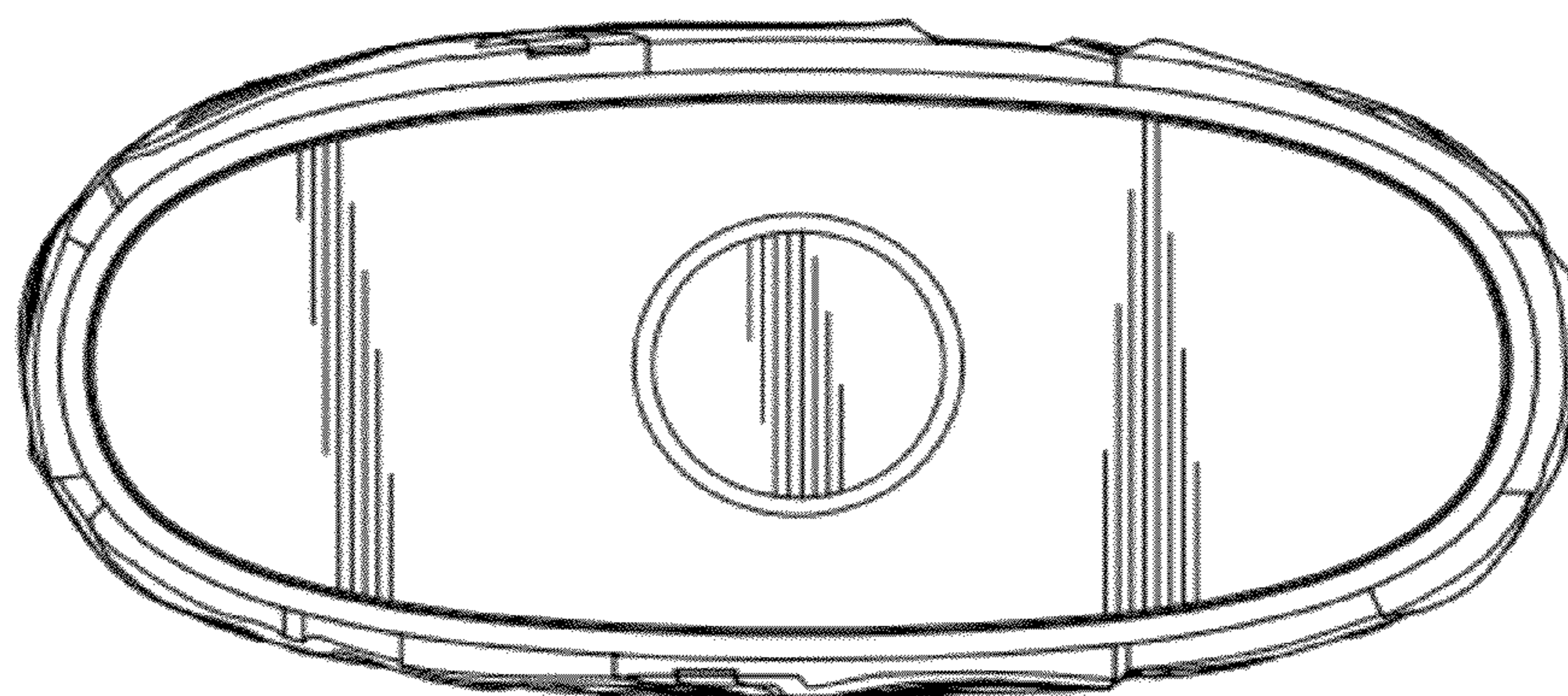


FIG. 6

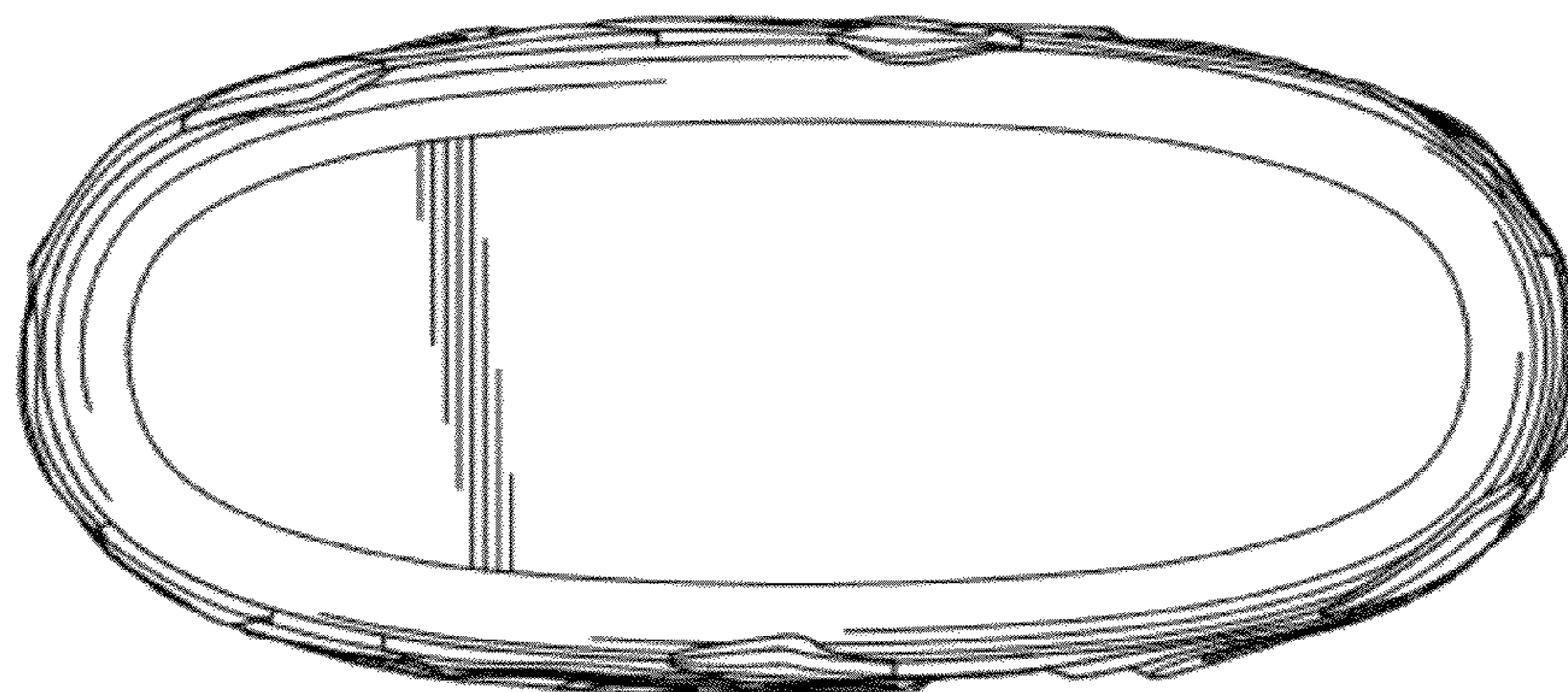


FIG. 7

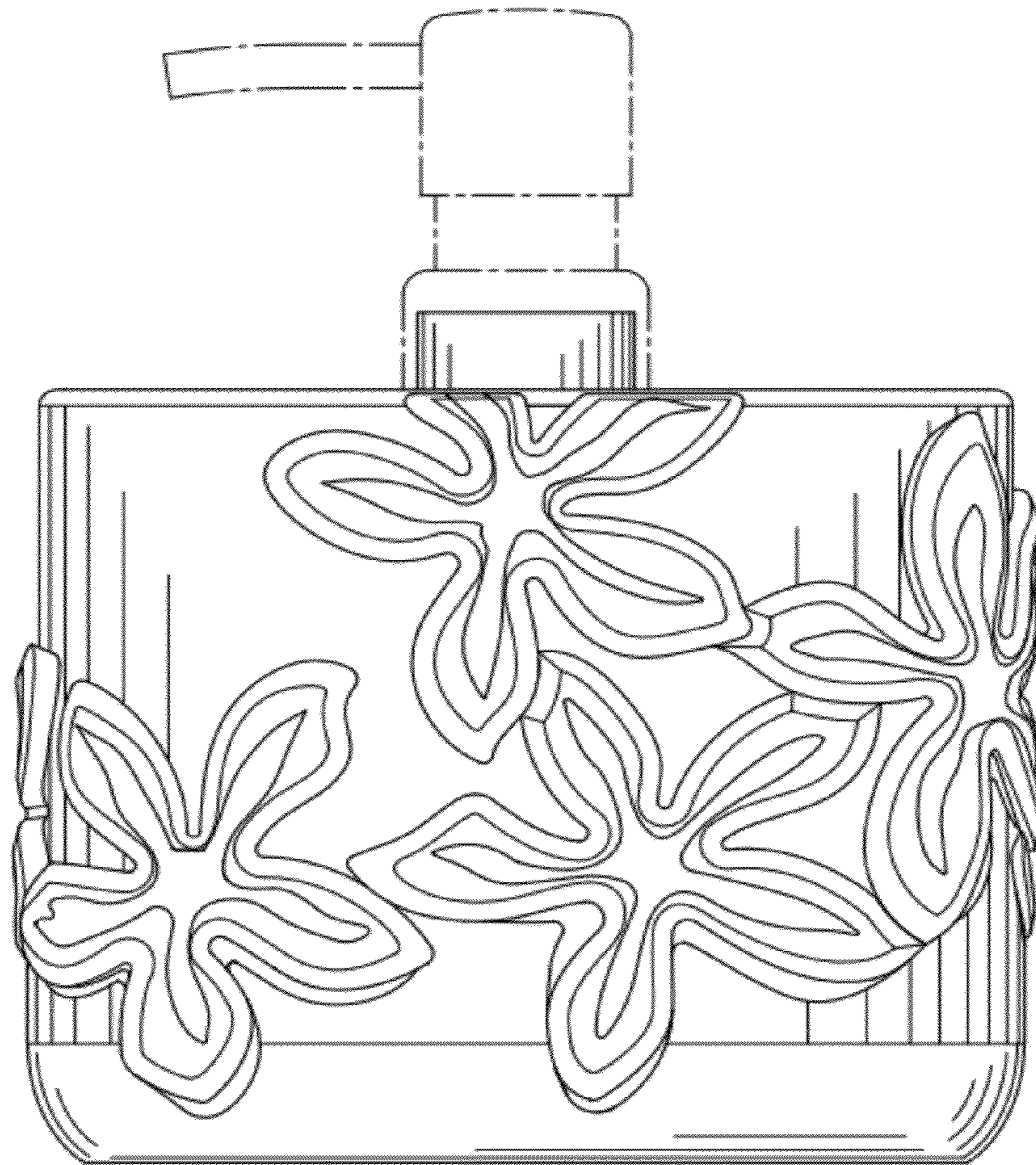


FIG . 8