



US00D658412S

(12) **United States Design Patent**
Hoyord et al.

(10) **Patent No.:** **US D658,412 S**
(45) **Date of Patent:** **** May 1, 2012**

(54) **CHAISE**

(75) Inventors: **Daniel J. Hoyord**, St. Paul, MN (US);
Joshua A. Hughes, Delano, MN (US);
Stephanie A. Grotta, Minneapolis, MN
(US); **Sara L. Pedersen**, Minneapolis,
MN (US)

(73) Assignee: **Target Brands, Inc.**, Minneapolis, MN
(US)

(**) Term: **14 Years**

(21) Appl. No.: **29/398,370**

(22) Filed: **Jul. 29, 2011**

(51) **LOC (9) Cl.** **06-01**

(52) **U.S. Cl.** **D6/502**

(58) **Field of Classification Search** D6/334-335,
D6/353, 361-362, 367, 369-370, 500-502;
297/396-398, 410, 452.29, 452.31, 452.32,
297/452.33, 452.63

See application file for complete search history.

(56) **References Cited**

U.S. PATENT DOCUMENTS

D225,704	S	1/1973	Geddings	
3,737,926	A	6/1973	Hermanson	
3,994,468	A *	11/1976	Carter et al.	248/370
D278,392	S	4/1985	Bayly	
D298,490	S *	11/1988	Pomeroy et al.	D6/347
D302,768	S *	8/1989	Grosfillex	D6/361
D306,804	S *	3/1990	Frinier	D6/361
D307,523	S *	5/1990	Pomeroy et al.	D6/347

(Continued)

OTHER PUBLICATIONS

Target, "Smith & Hawken Solenti Teak Chaise," pp. 1-3, <http://www.target.com/Smith-Hawken-Solenti-Teak-Chaise/dp/B004FS1OSK/>

ref=sr_1_1?ie=UTF8&searchView=grid5
&keywords=teak%20chaise&fromGsearch=true&sr=1-1
&qid=1311878660&rh=&searchRank=target104545
&id=Smith%20Hawken%20Solenti%20Teak%20Chaise
&node=1038576|1287991011&searchSize=30&searchPage=1
&searchNodeID=1038576|1287991011
&searchBinNameList=subjectbin.

(Continued)

Primary Examiner — Kelley Donnelly

(74) *Attorney, Agent, or Firm* — Leanne Taveggia Farrell;
Westman, Champlin & Kelly, P.A.

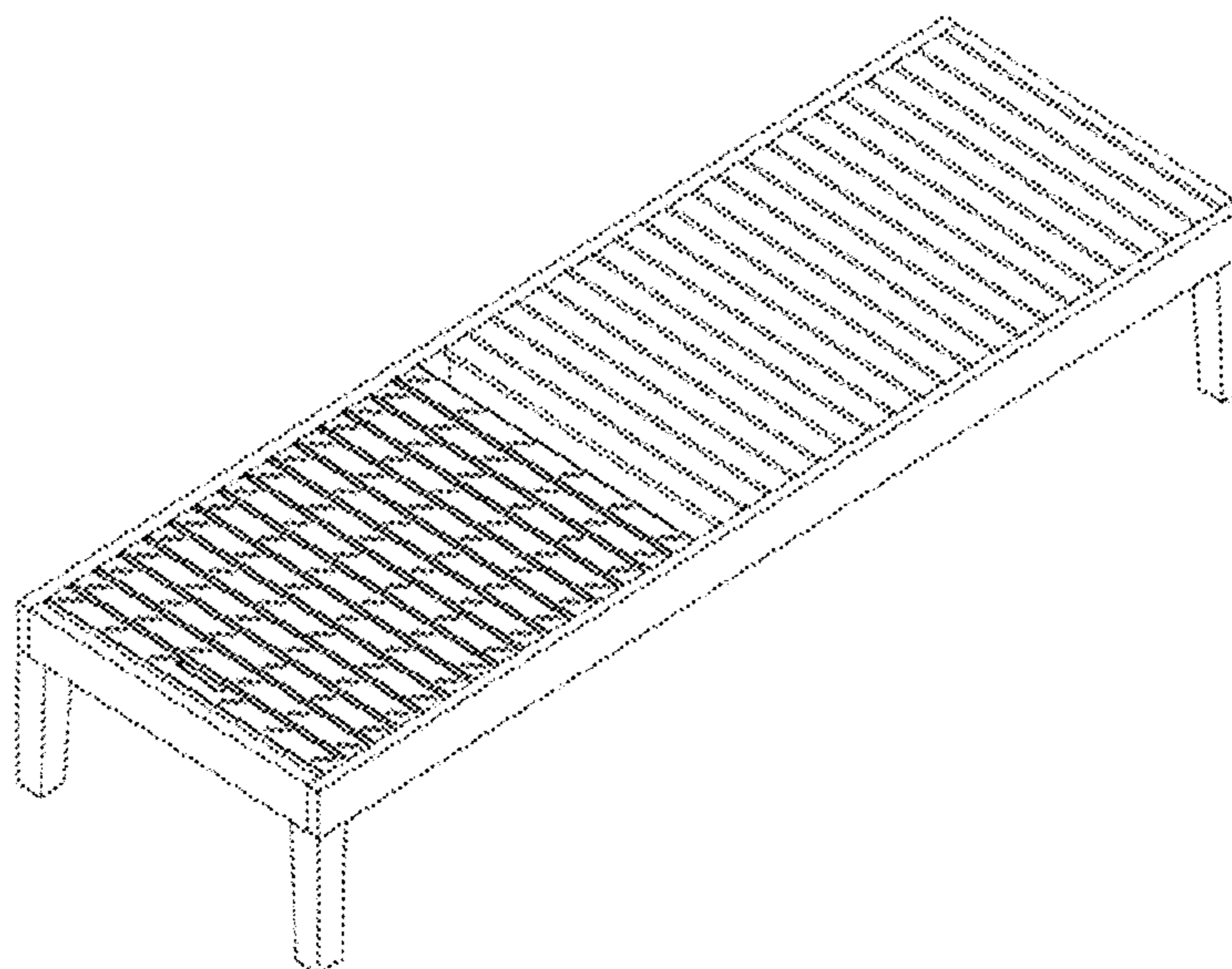
(57) **CLAIM**

The ornamental design for a chaise, as shown and described.

DESCRIPTION

FIG. 1 is a perspective view of the chaise;
FIG. 2 is a back view of the chaise illustrated in FIG. 1;
FIG. 3 is a front view of the chaise illustrated in FIG. 1;
FIG. 4 is a left side view of the chaise illustrated in FIG. 1;
FIG. 5 is a right side view of the chaise illustrated in FIG. 1;
FIG. 6 is a top view of the chaise illustrated in FIG. 1;
FIG. 7 is a bottom view of the chaise illustrated in FIG. 1;
FIG. 8 is a perspective view of the chaise shown in an alter-
nate position;
FIG. 9 is back view of the chaise illustrated in FIG. 8;
FIG. 10 is a front view of the chaise illustrated in FIG. 8;
FIG. 11 is a left side view of the chaise illustrated in FIG. 8;
FIG. 12 is a right side view of the chaise illustrated in FIG. 8;
FIG. 13 is a top view of the chaise illustrated in FIG. 8; and,
FIG. 14 is a bottom view of the chaise illustrated in FIG. 8.
The broken lines shown in FIGS. 1-14 are included for the
purpose of illustrating environment of the design and form no
part of the claimed design.

1 Claim, 11 Drawing Sheets



US D658,412 S

Page 2

U.S. PATENT DOCUMENTS

D327,377 S * 6/1992 Grosfillex D6/361
D328,197 S * 7/1992 Braxton, III D6/347
D332,705 S * 1/1993 Rougerie D6/361
D343,069 S 1/1994 Trudo et al.
D350,855 S * 9/1994 Pomeroy et al. D6/344
D358,496 S * 5/1995 Walters D6/361
D361,673 S * 8/1995 Pomeroy et al. D6/344
D404,582 S * 1/1999 Robertson et al. D6/361
D411,378 S * 6/1999 Van Rhiene D6/361
D414,049 S * 9/1999 van Rhiene D6/361
D425,718 S * 5/2000 van Valderen D6/370
D432,323 S * 10/2000 Pomeroy et al. D6/344
D439,757 S * 4/2001 Saad Rionda D6/361
D450,937 S * 11/2001 Pomeroy et al. D6/344
D457,342 S * 5/2002 Muller D6/370
D467,741 S * 12/2002 Pomeroy et al. D6/346
D470,318 S * 2/2003 Barber D6/370
D470,667 S * 2/2003 Barber D6/361
D473,388 S 4/2003 Hutton
D486,969 S 2/2004 Weaver
D489,910 S * 5/2004 Noll D6/344
D490,995 S * 6/2004 Hutton D6/370
D497,726 S * 11/2004 White D6/347
D511,901 S * 11/2005 Mohundro D6/370
D513,369 S * 1/2006 Cross D6/370
D514,336 S 2/2006 Spector et al.
D535,829 S * 1/2007 Goldstein D6/349
D540,552 S * 4/2007 Good D6/361
D541,547 S * 5/2007 Goldstein D6/381

D543,397 S * 5/2007 Loew et al. D6/502
D545,075 S 6/2007 Hunziker
D562,580 S * 2/2008 Knudsen D6/361
D569,639 S * 5/2008 Swanson D6/370
D571,112 S * 6/2008 Henderson D6/362
D584,520 S * 1/2009 Messina D6/361
D591,523 S * 5/2009 White et al. D6/370
D591,540 S * 5/2009 Lu D6/500
D610,843 S * 3/2010 Ballendat D6/502
D645,682 S * 9/2011 Nakamura et al. D6/502
D647,714 S 11/2011 Hoyord et al.

OTHER PUBLICATIONS

Land's End, "Teak Chaise Chair," pp. 1-2, http://www.landsend.com/pp/TeakChaiseChair~182230_-1.html?bcc=y&a (last visited on Feb. 8, 2011).

Ikea, "Applaro Chaise lounge," pp. 1-2, <http://www.ikea.com/us/en/catalog/products/60063508> (last visited on May 16, 2011).

Pending design application No. 29/396,953, filed Jun. 8, 2011, entitled Chaise Lounge, pp. 1-9.

Charles and Hudson Chaise, 1 page, http://www.charlesandhudson.com/archives/2008/04/need_new_furniture.htm (last visited Jun. 16, 2011).

Crate & Barrel, "Regatta Chaise Lounge," 1 page, <http://www.crateandbarrel.com/outdoor-furniture/outdoor-lounging/regatta-chaiselounge/s162356> (last visited Feb. 8, 2011).

* cited by examiner

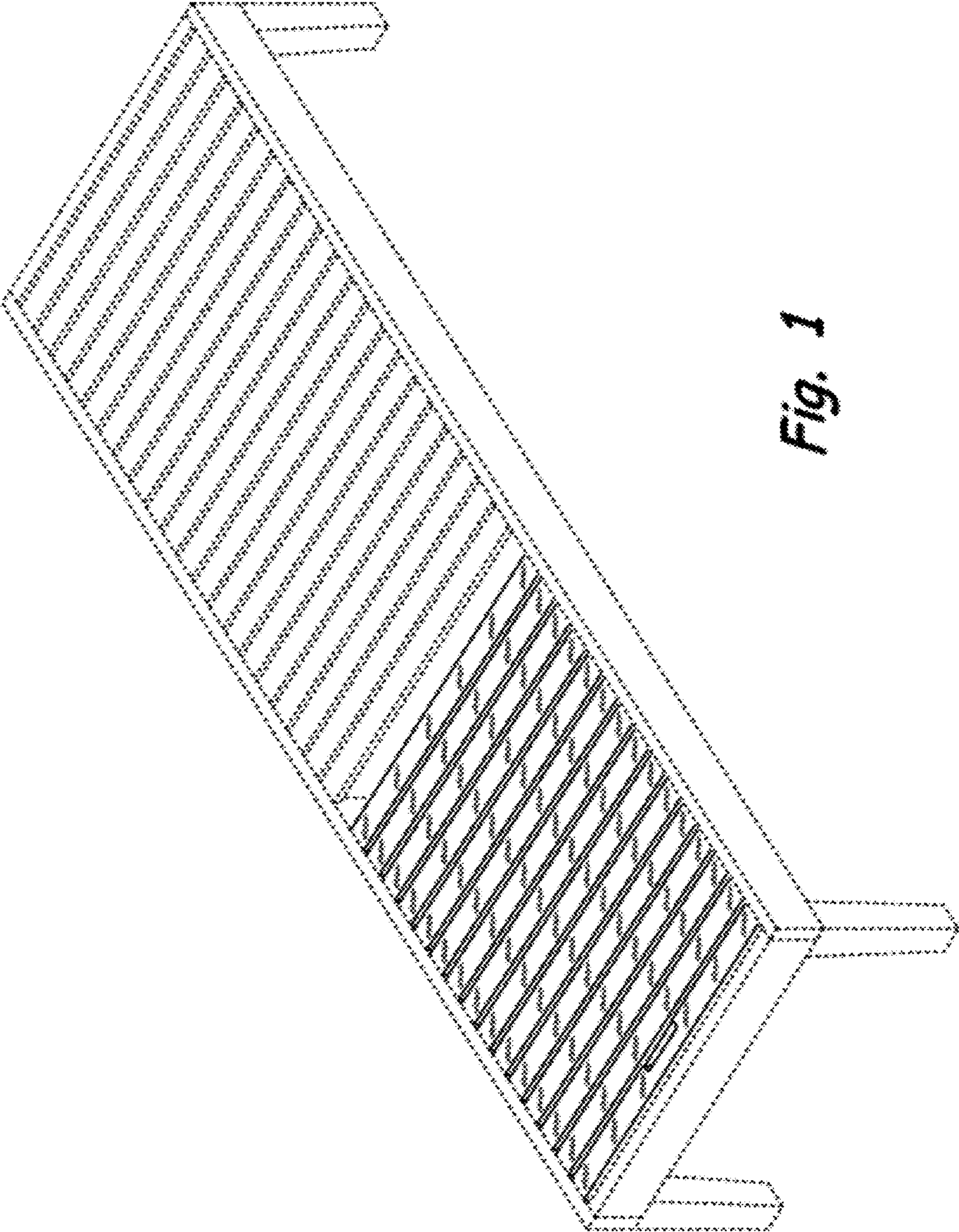


Fig. 1

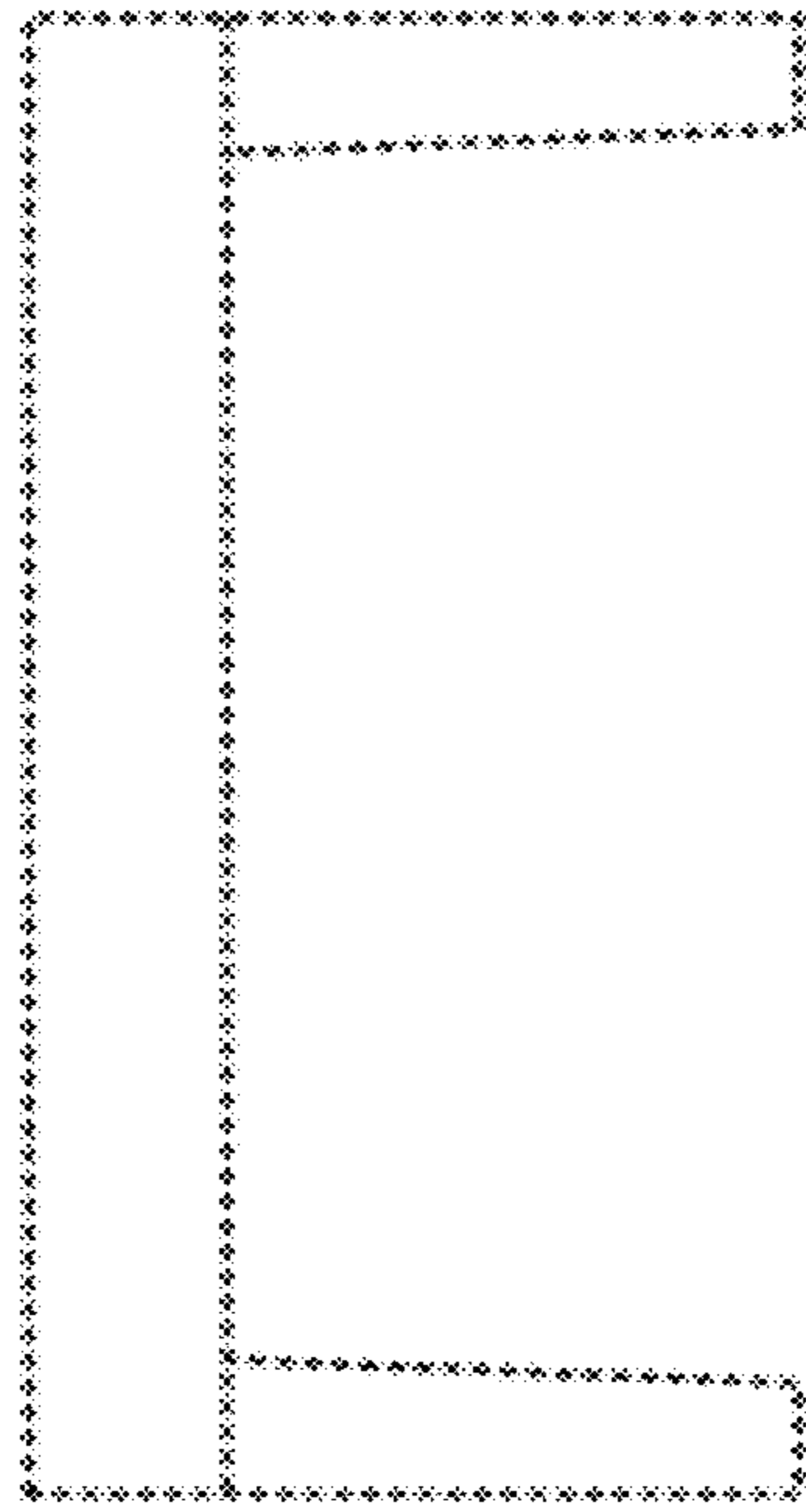


Fig. 3

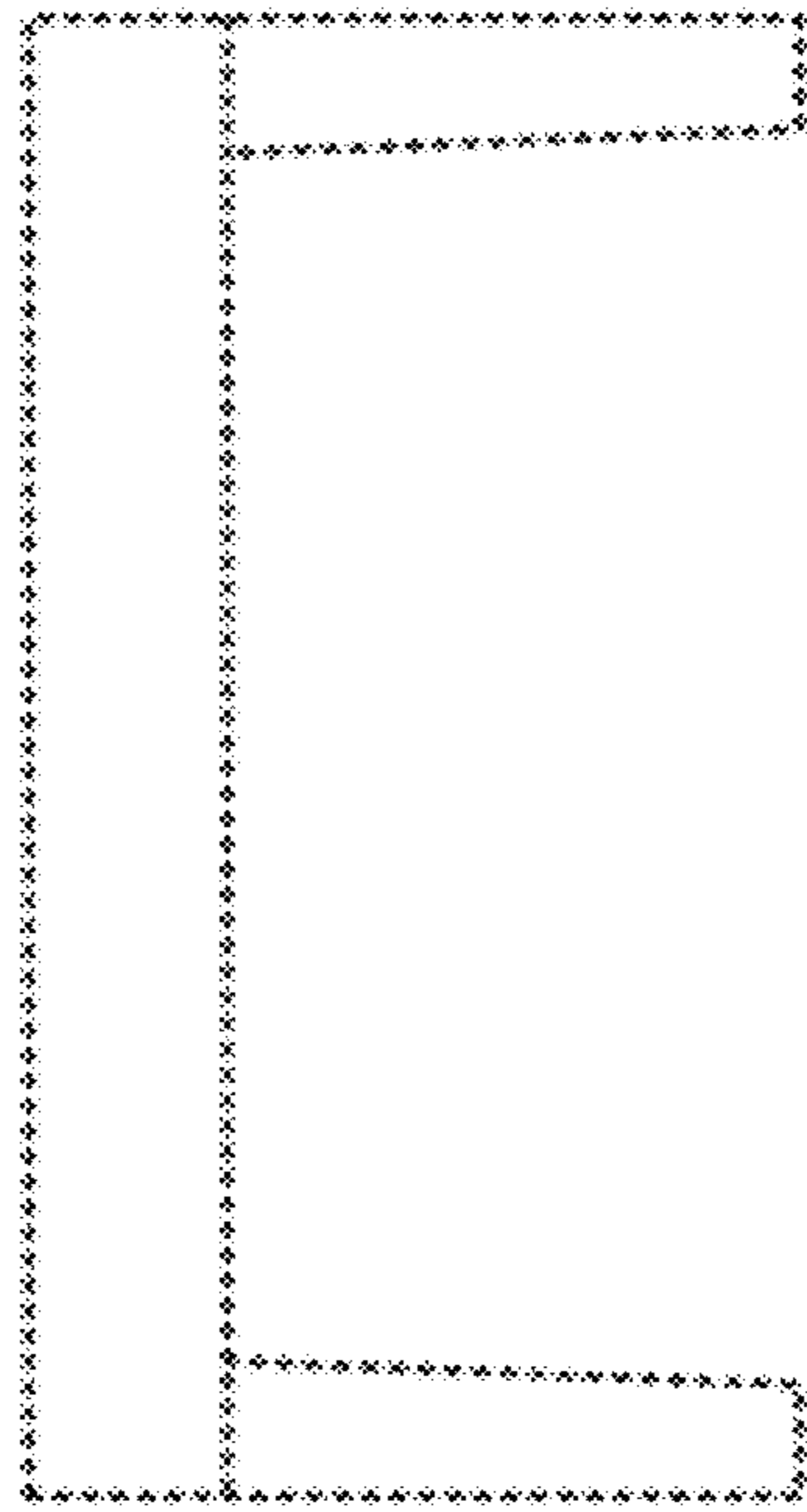


Fig. 2

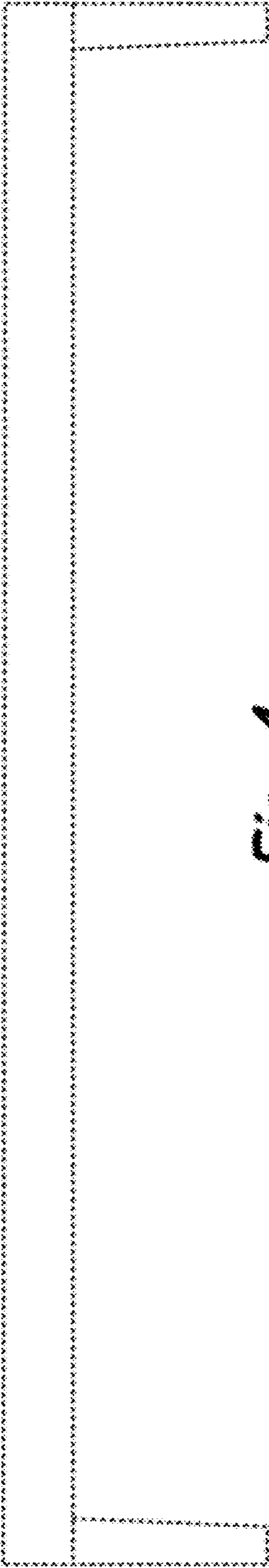


Fig. 4

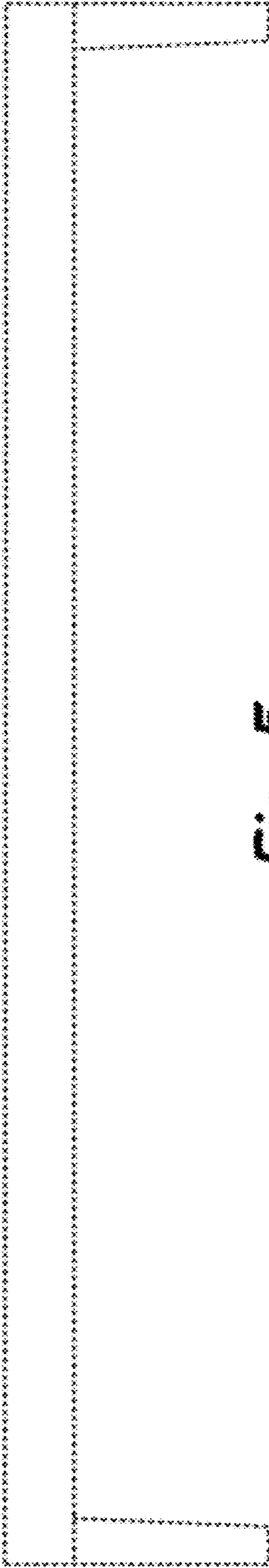


Fig. 5

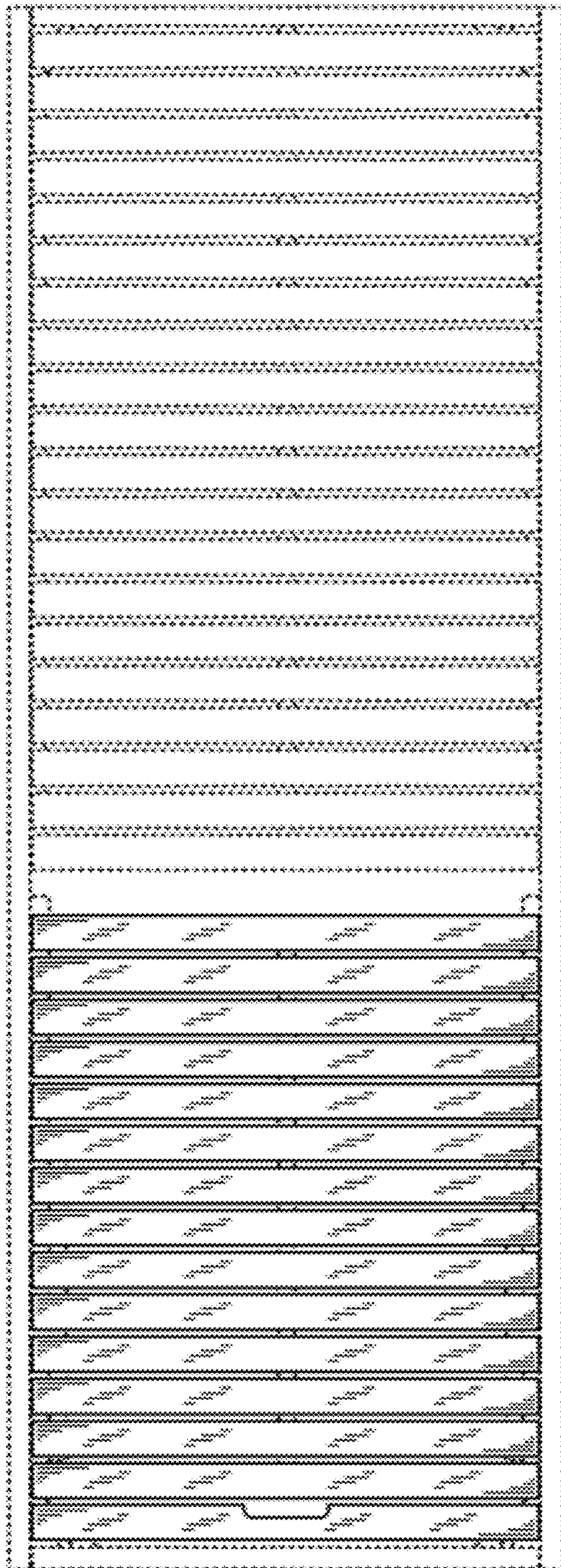


Fig. 6

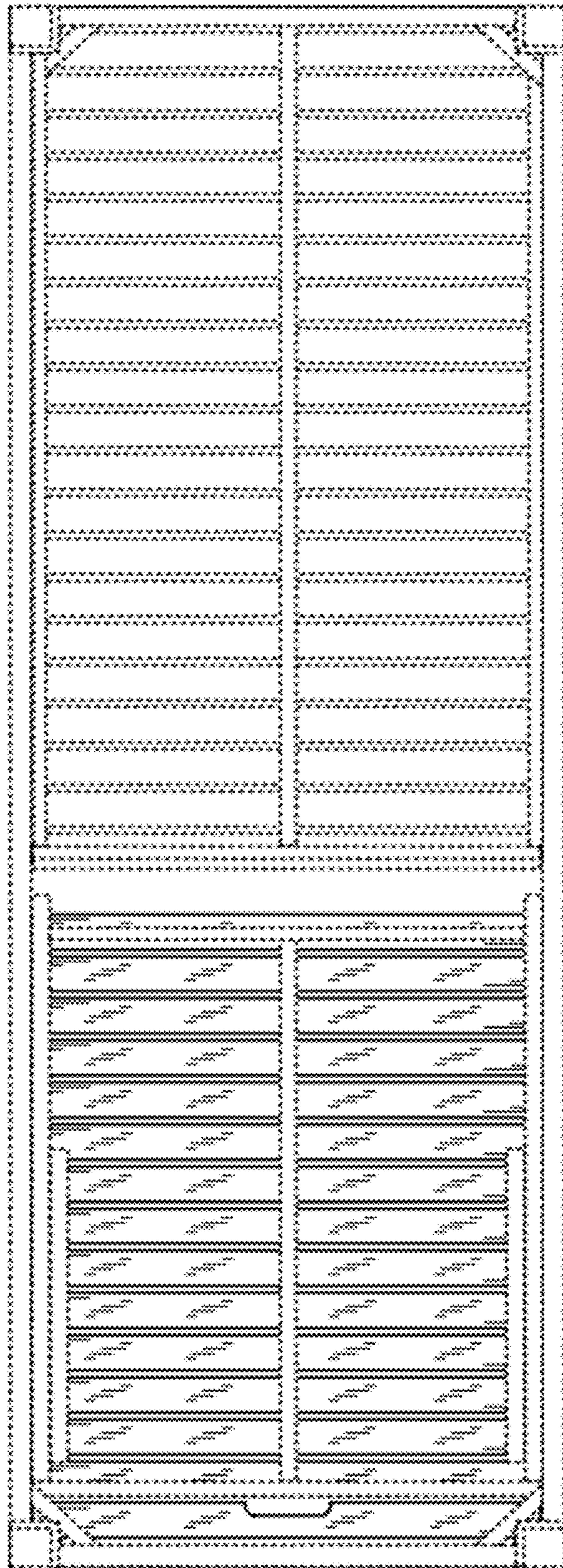
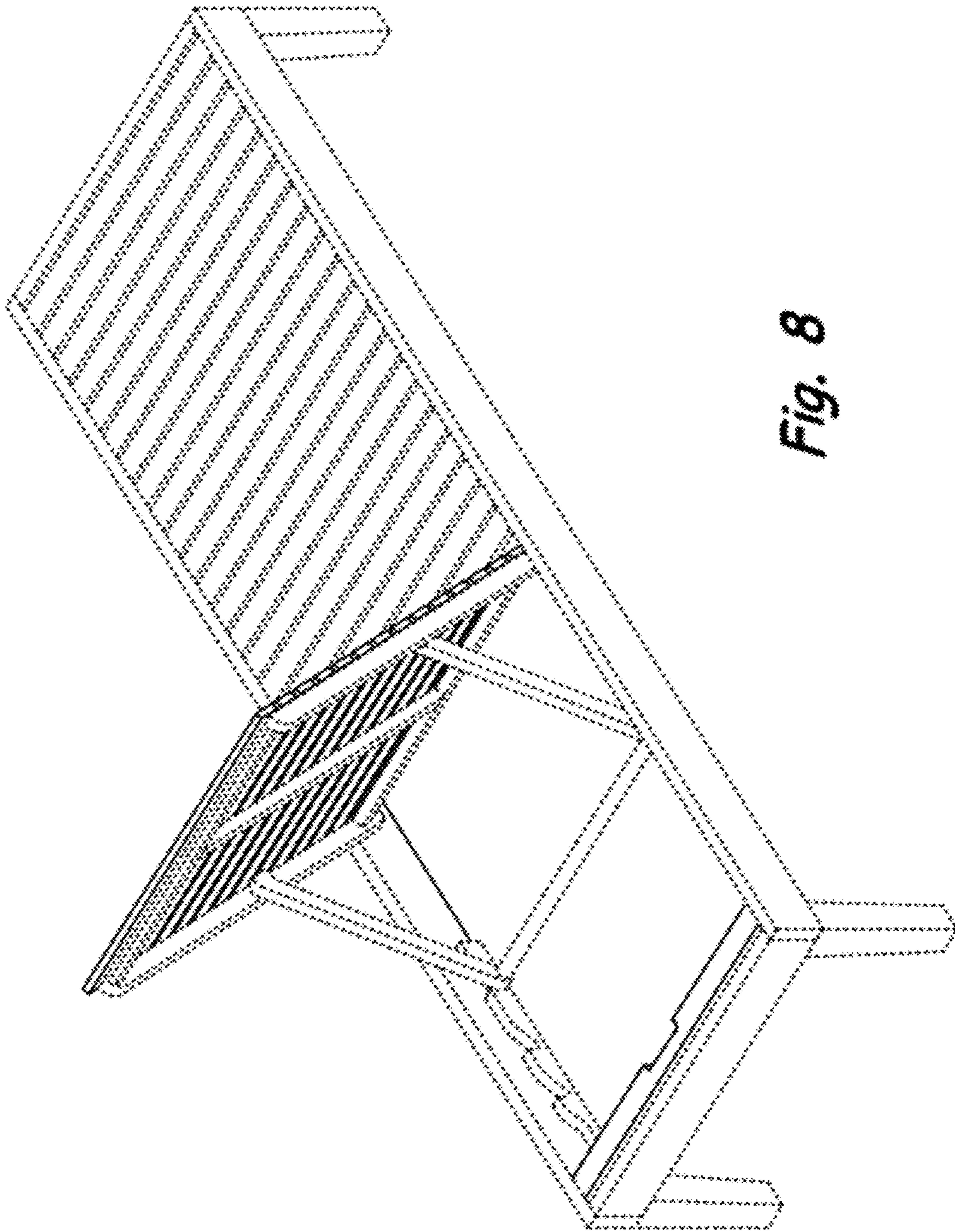


Fig. 7



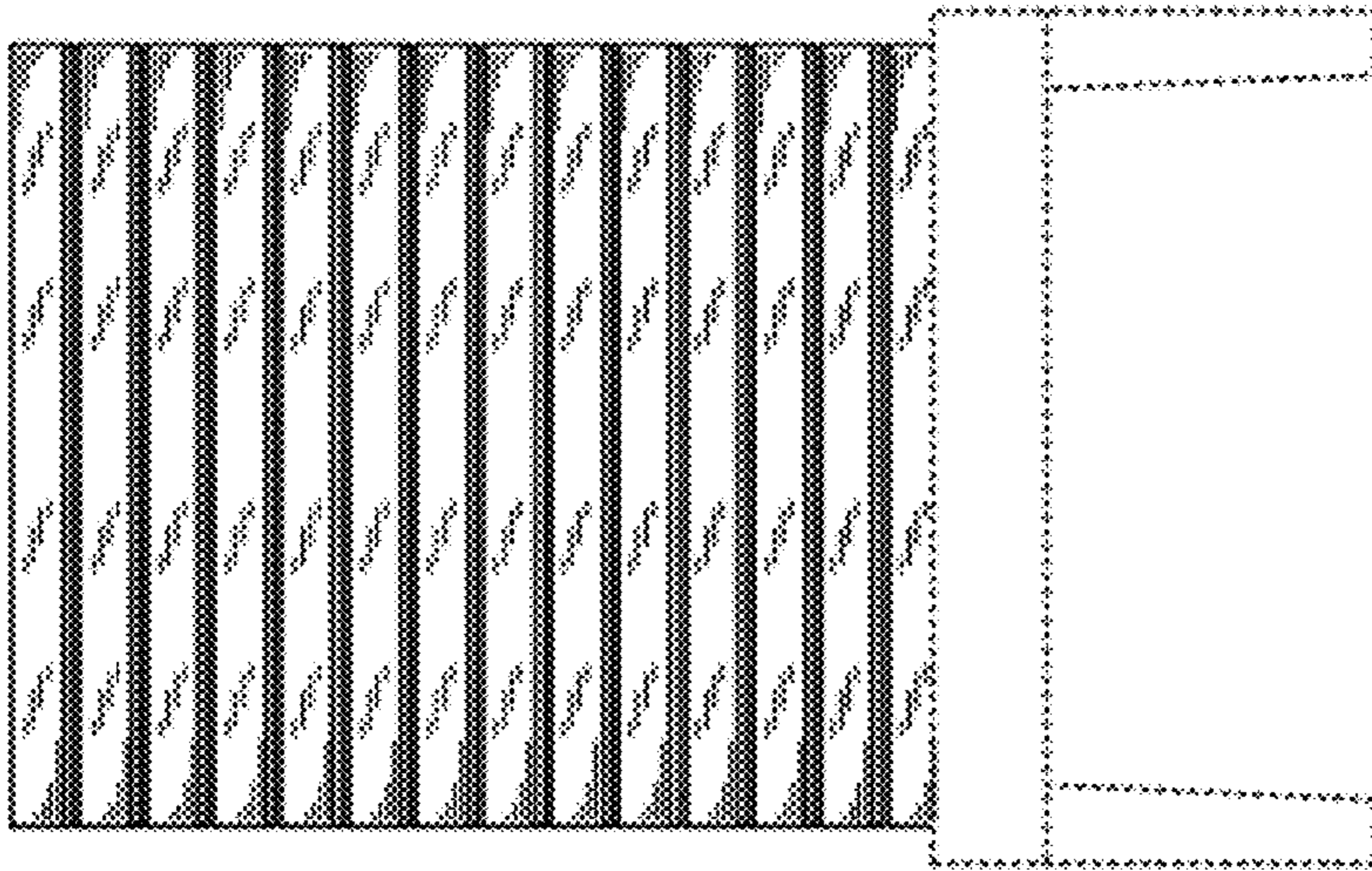


Fig. 10

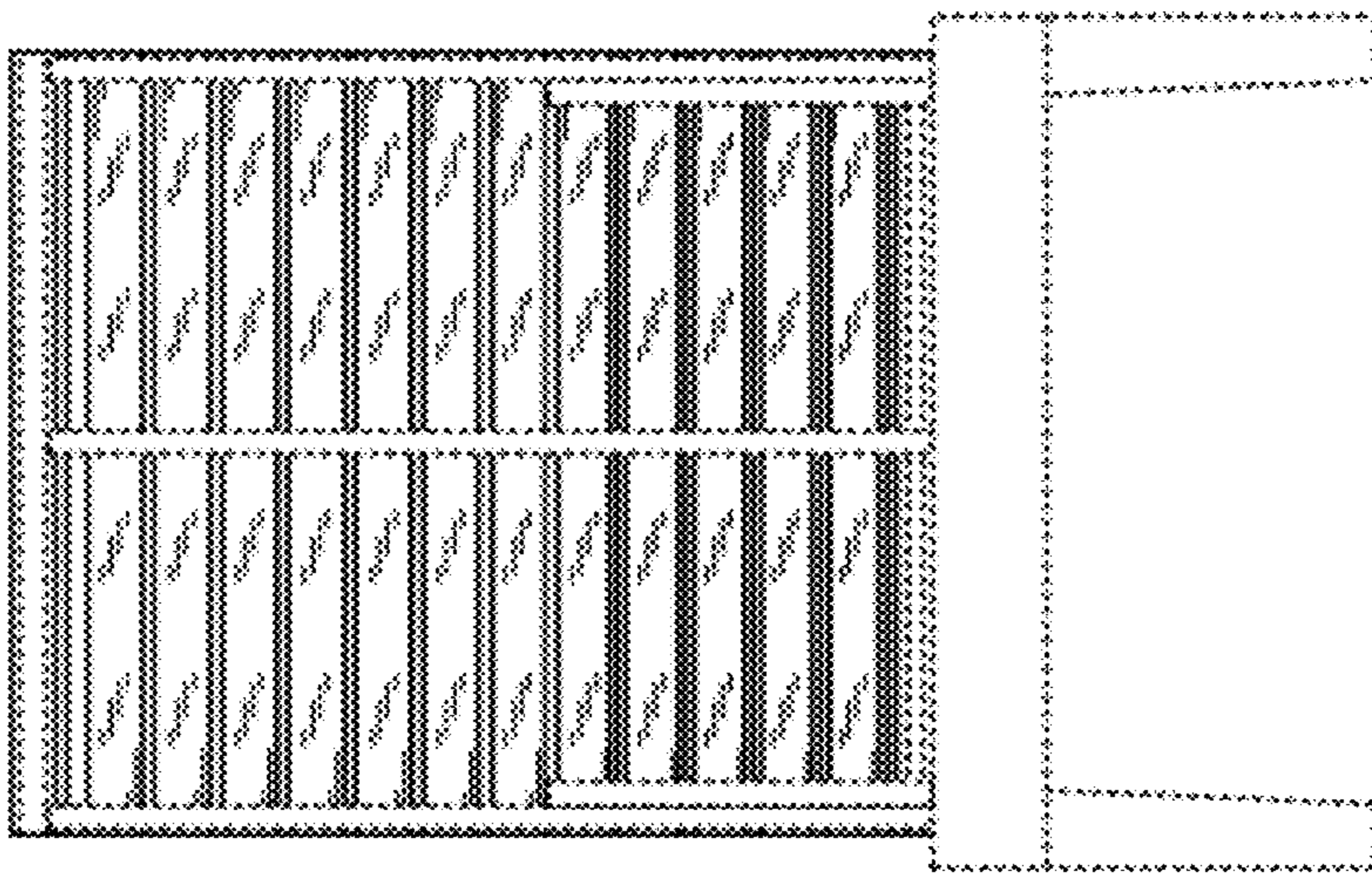


Fig. 9

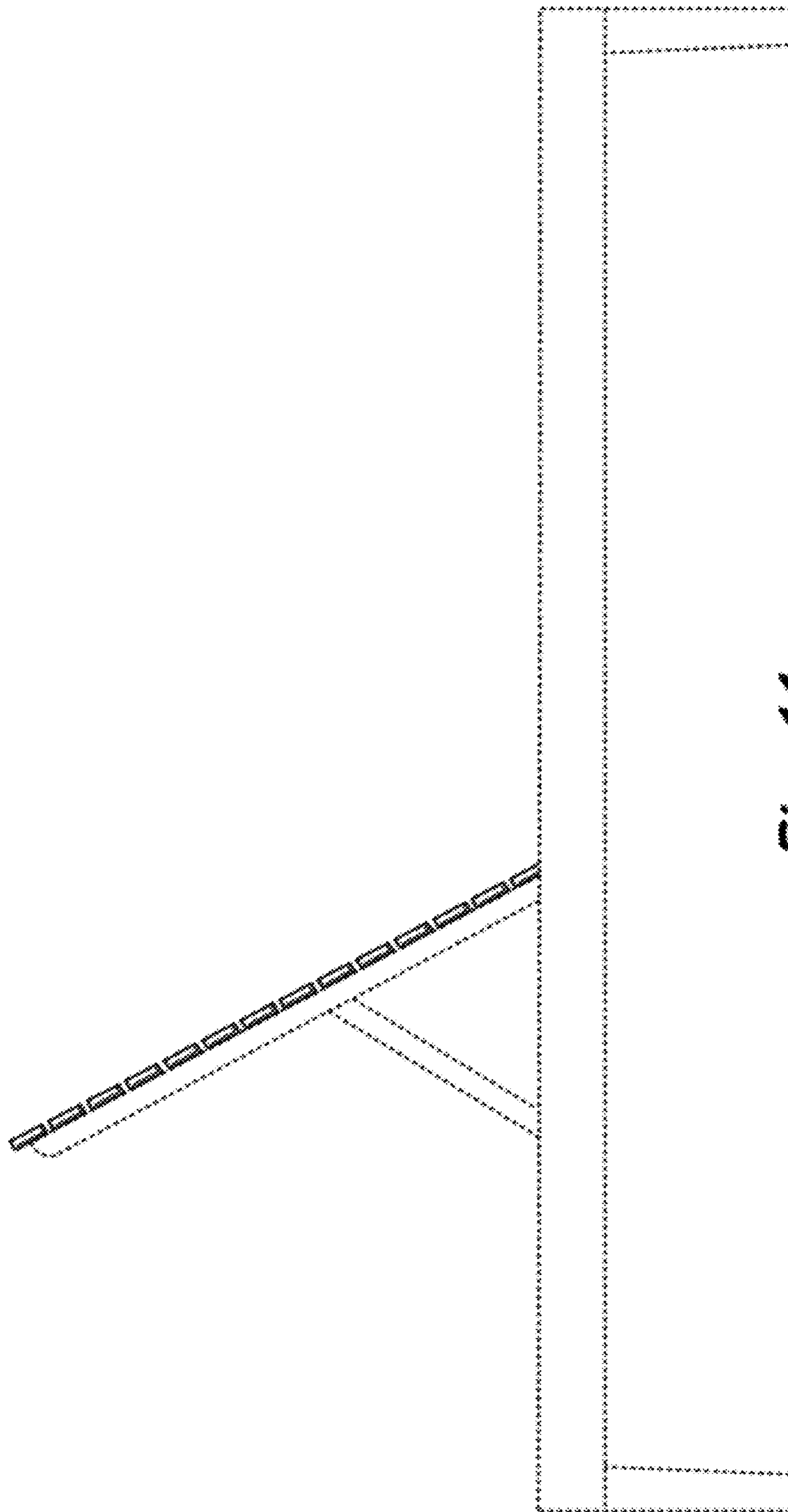


Fig. 11

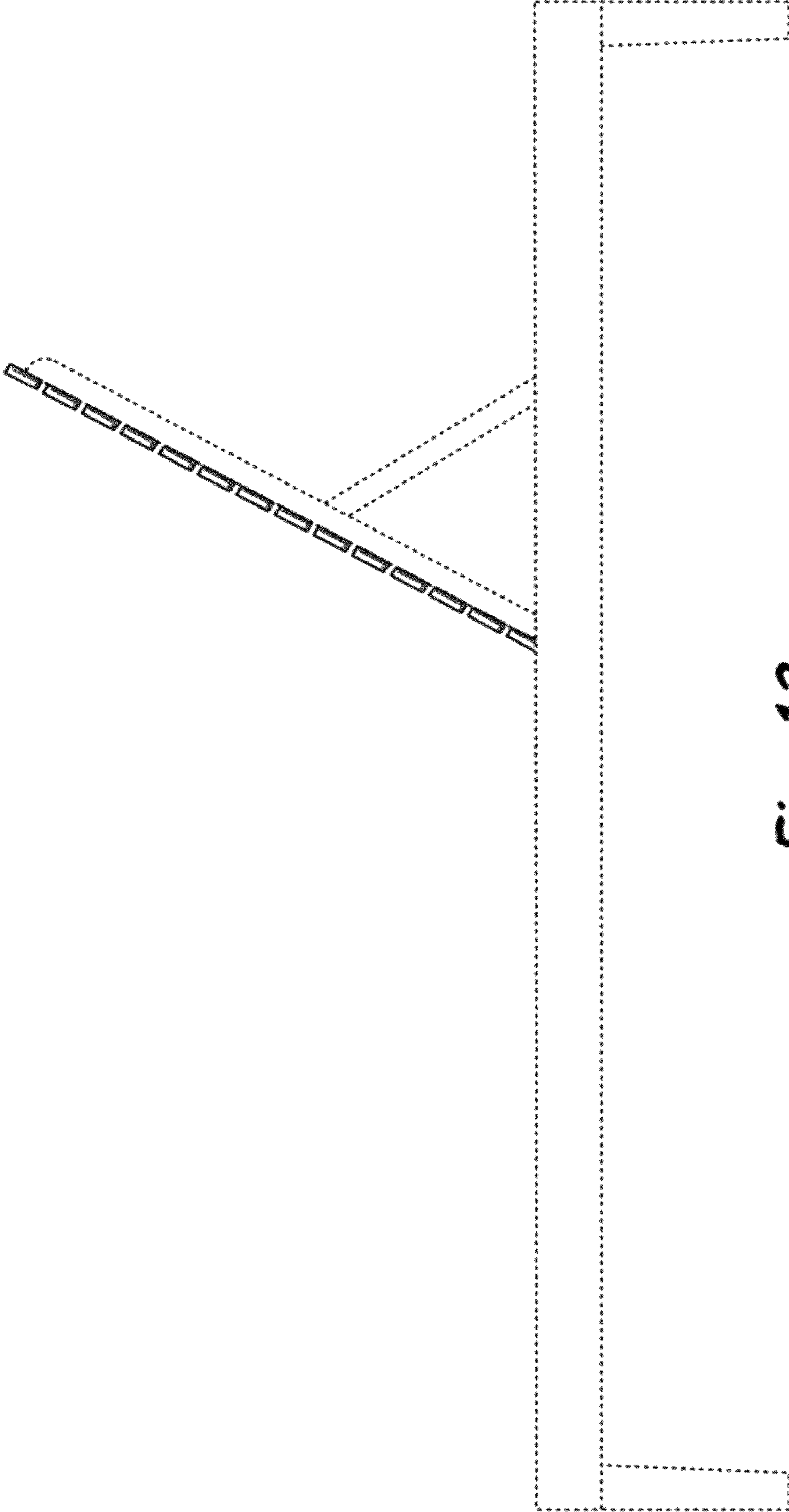


Fig. 12

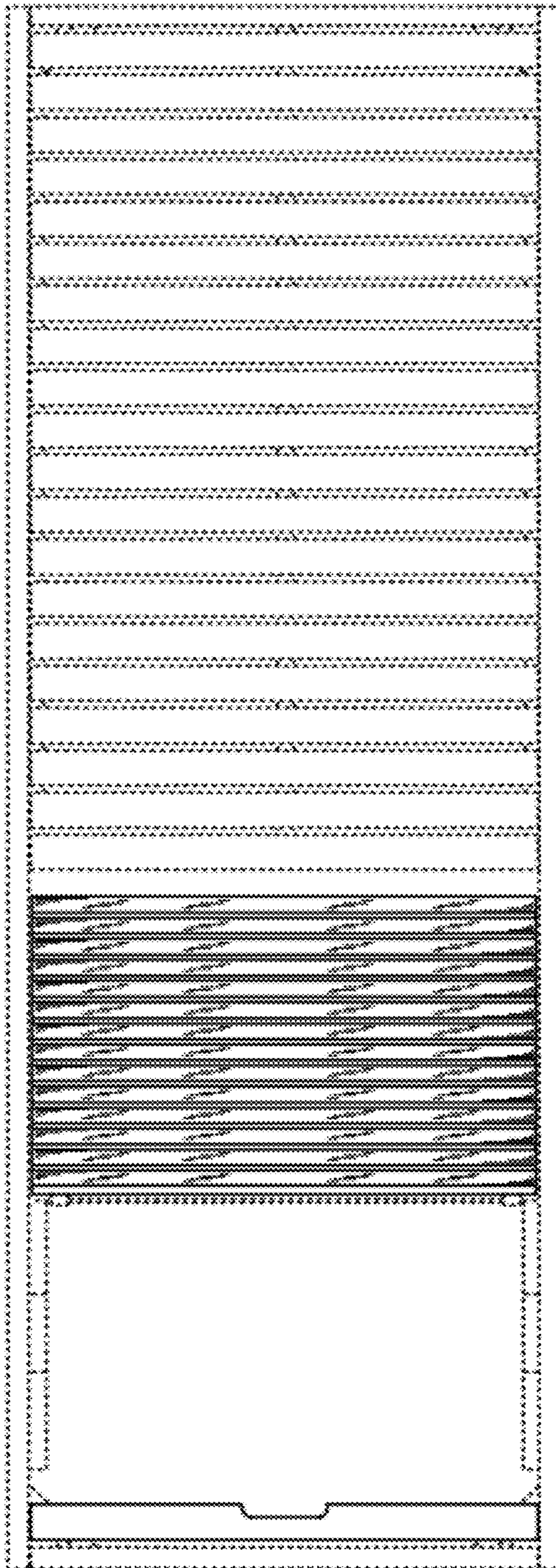


Fig. 13

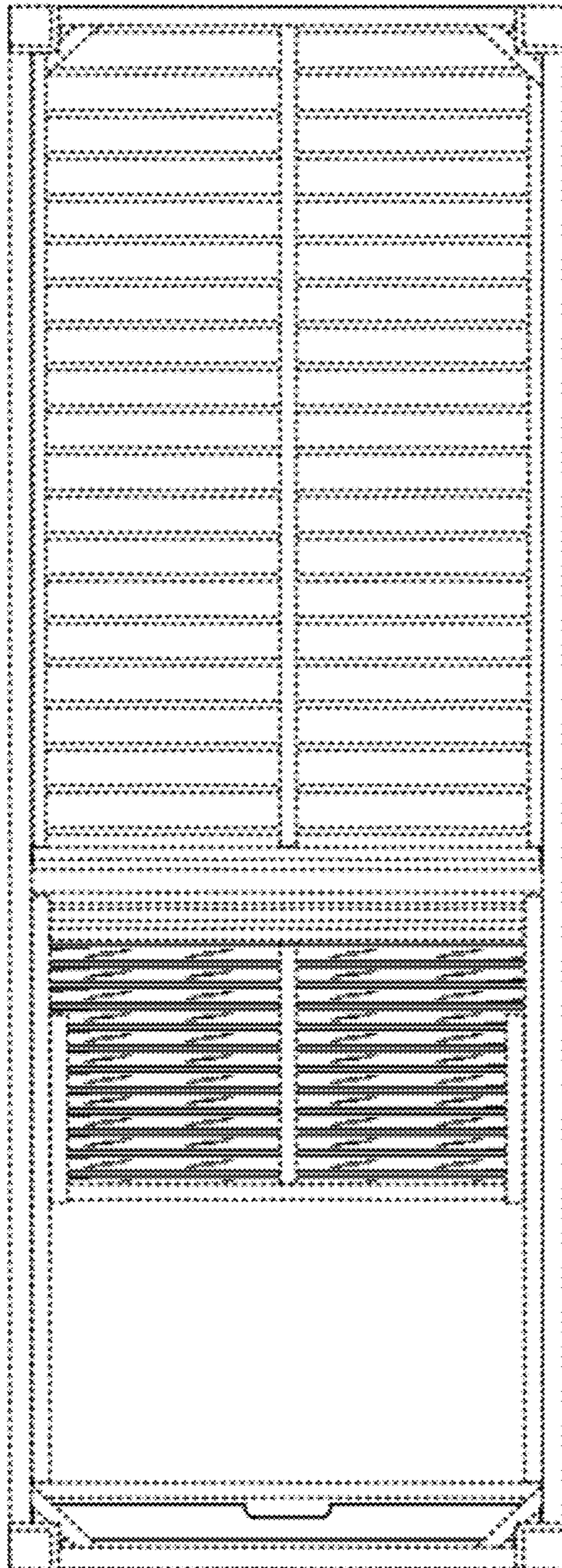


Fig. 14