



US00D658411S

(12) **United States Design Patent**  
**Lee**

(10) **Patent No.:** **US D658,411 S**

(45) **Date of Patent:** **\*\* May 1, 2012**

(54) **CHAIR BACK**

(76) Inventor: **Lawrence K. Lee**, Houston, TX (US)

(\*\*) Term: **14 Years**

(21) Appl. No.: **29/369,908**

(22) Filed: **Sep. 15, 2010**

(51) **LOC (9) Cl.** ..... **06-01**

(52) **U.S. Cl.** ..... **D6/502**

(58) **Field of Classification Search** ..... D6/334-336,  
D6/344, 347, 368, 369, 370, 374, 376, 379,  
D6/380, 499, 500-502; 297/440.15, 411.43,  
297/445.1, 446.1, 447.4, 452.63, 452.64

See application file for complete search history.

(56) **References Cited**

**U.S. PATENT DOCUMENTS**

|           |   |   |         |                |       |            |
|-----------|---|---|---------|----------------|-------|------------|
| D68,027   | S | * | 8/1925  | Wurdack        | ..... | D6/370     |
| 1,691,262 | A | * | 11/1928 | Wurdack        | ..... | 297/411.43 |
| D109,239  | S | * | 4/1938  | Wolpin         | ..... | D6/370     |
| D114,478  | S | * | 4/1939  | Terker         | ..... | D6/370     |
| 2,490,884 | A | * | 12/1949 | Rau            | ..... | 297/440.15 |
| D289,234  | S | * | 4/1987  | Hoult          | ..... | D6/348     |
| 5,000,514 | A | * | 3/1991  | Hanson         | ..... | 297/440.13 |
| D329,757  | S | * | 9/1992  | Meeker         | ..... | D6/348     |
| D335,224  | S | * | 5/1993  | Freeman et al. | ..... | D6/348     |
| D358,495  | S | * | 5/1995  | Miles          | ..... | D6/348     |

|          |   |   |        |       |       |        |
|----------|---|---|--------|-------|-------|--------|
| D538,086 | S | * | 3/2007 | Shake | ..... | D6/502 |
| D566,975 | S | * | 4/2008 | Lee   | ..... | D6/348 |
| D577,520 | S | * | 9/2008 | Lee   | ..... | D6/502 |

\* cited by examiner

*Primary Examiner* — Mimosa De

(74) *Attorney, Agent, or Firm* — Egbert Law Offices PLLC

(57) **CLAIM**

The ornamental design for a chair back, as shown and described.

**DESCRIPTION**

FIG. 1 is a perspective view of a first embodiment of the chair back showing my design.

FIG. 2 is a front view thereof;

FIG. 3 is a back view thereof;

FIG. 4 is a side view thereof;

FIG. 5 is an opposite side view thereof;

FIG. 6 is a top view thereof;

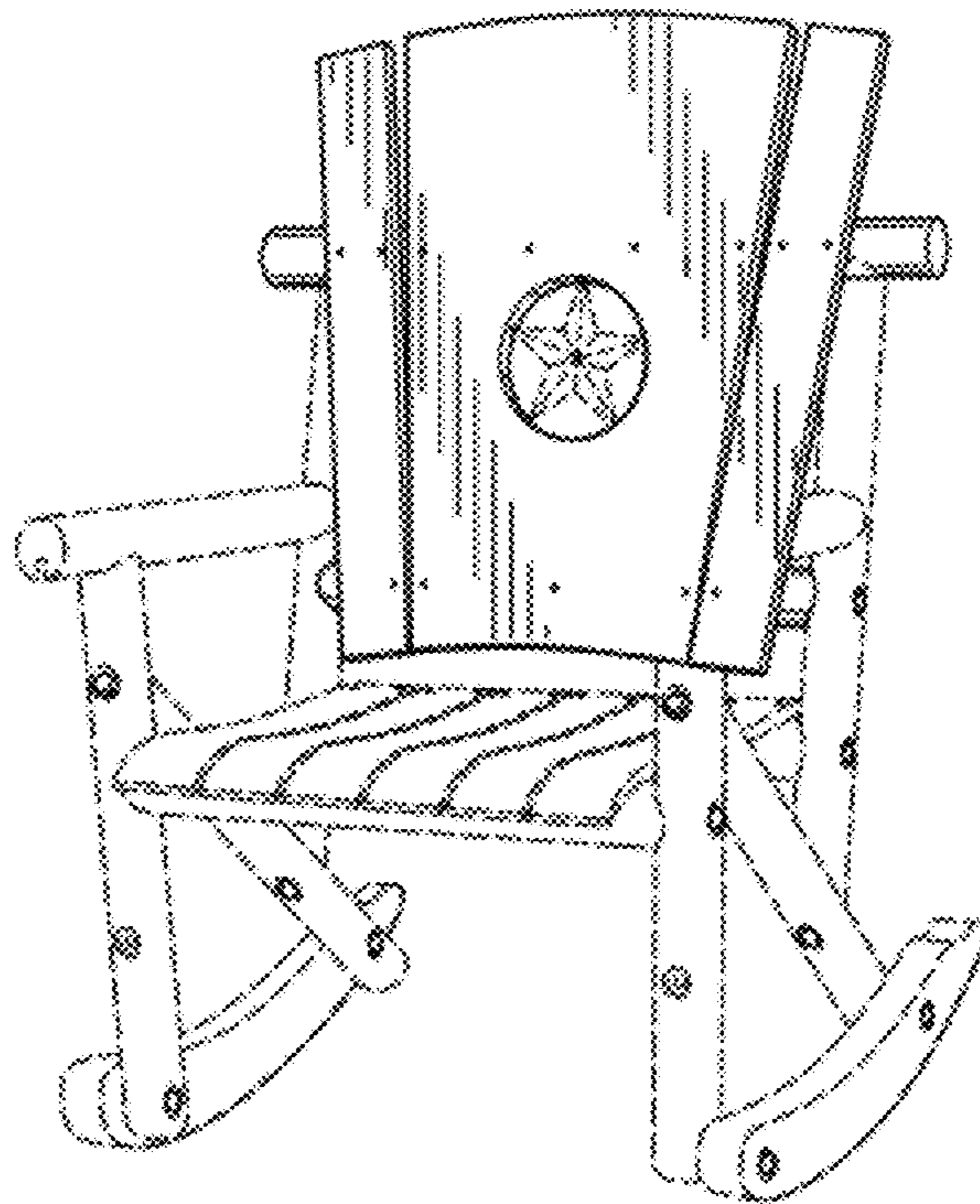
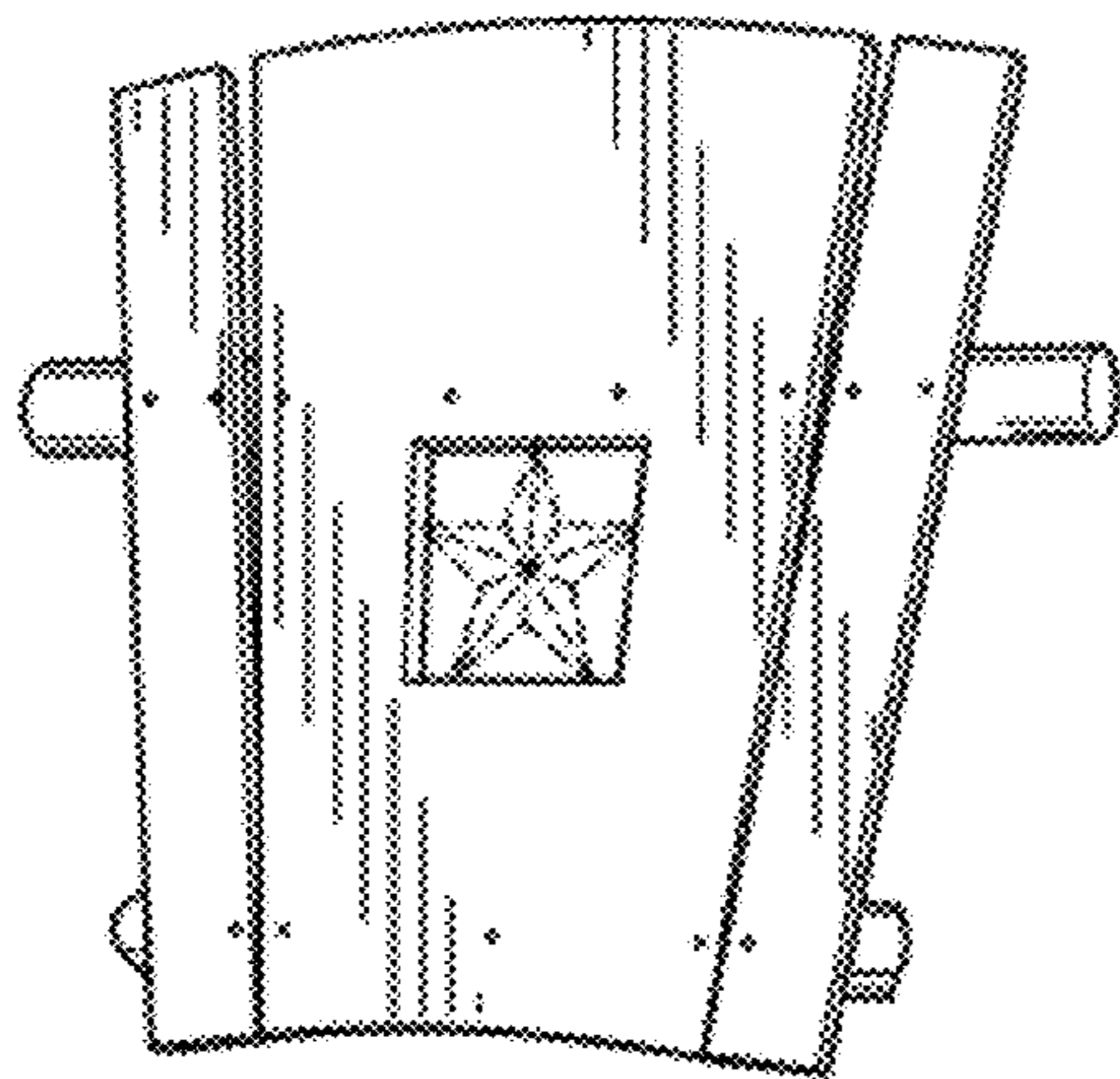
FIG. 7 is a bottom view thereof;

FIG. 8 is a perspective view thereof of a second embodiment wherein the chair back has a square cut-out; and,

FIG. 9 is a perspective view showing the chair back positioned on a chair.

The features presented in broken lines are for environmental purposes only and form no part of the claimed design.

**1 Claim, 2 Drawing Sheets**



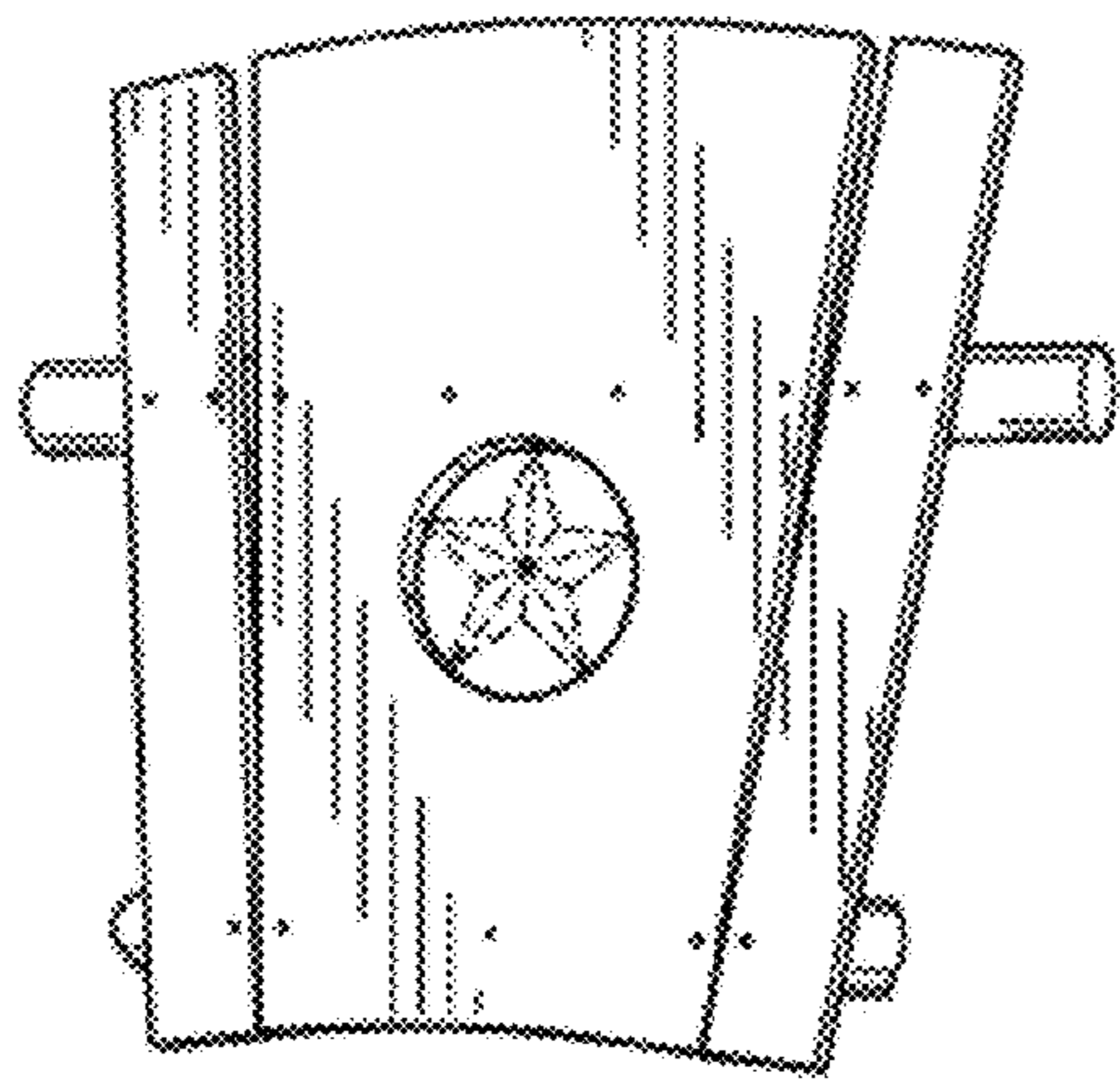


FIG. 1

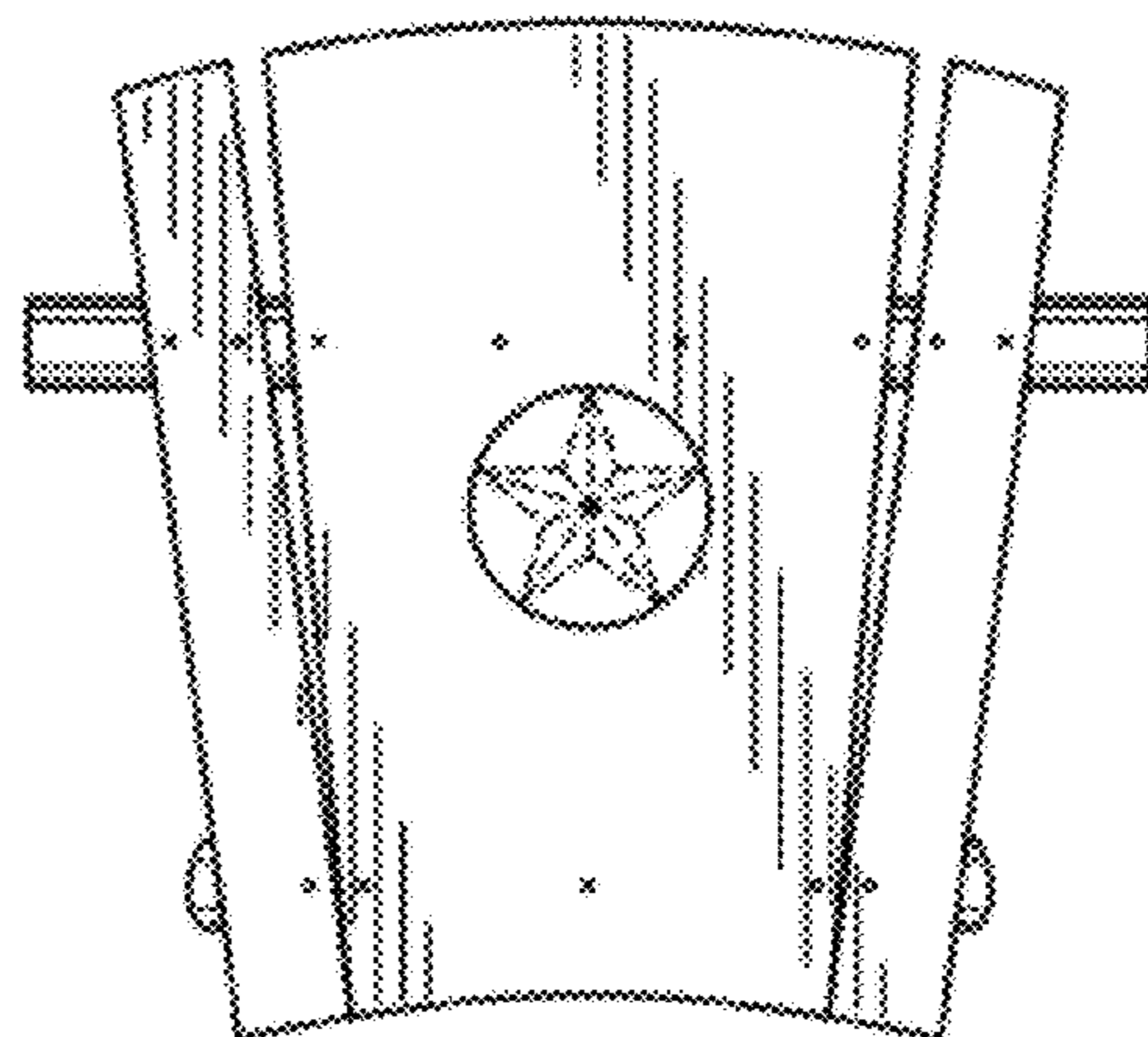


FIG. 2

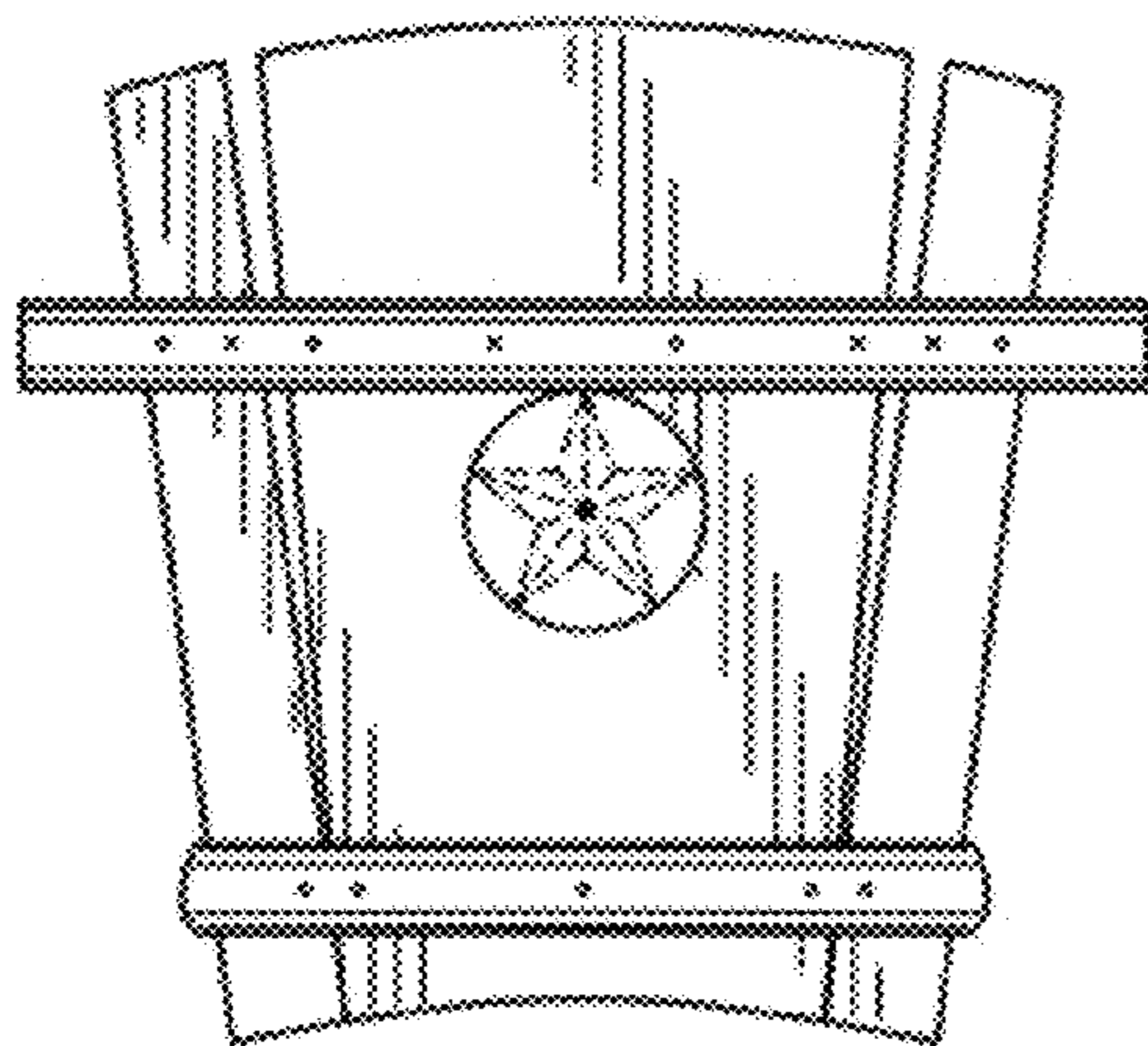


FIG. 3

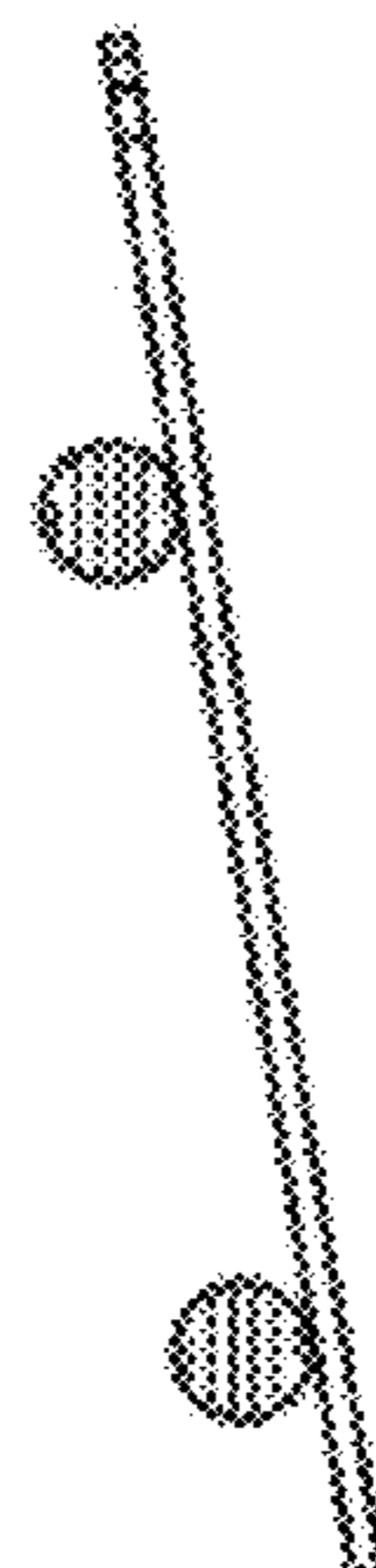


FIG. 4

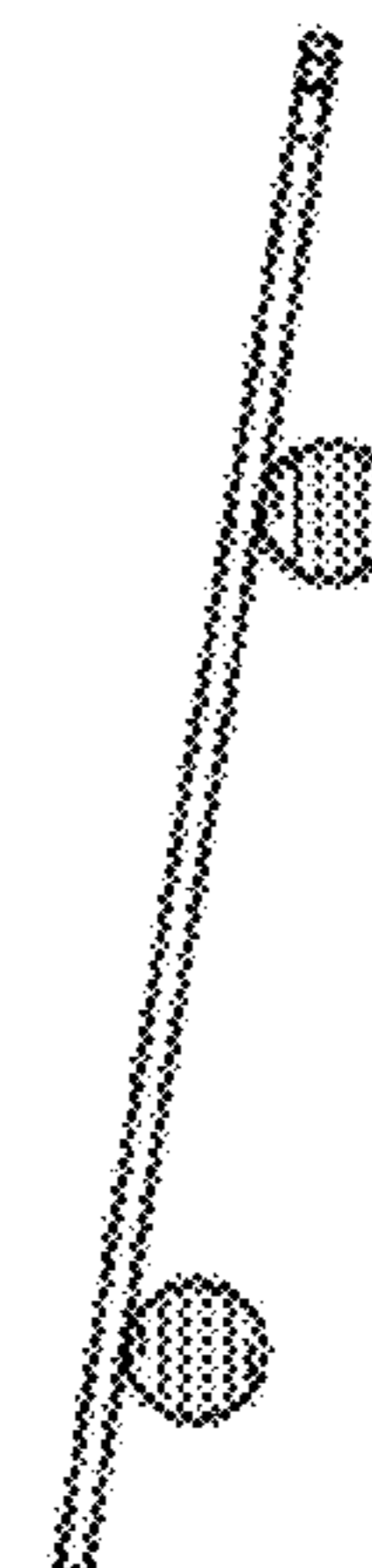


FIG. 5

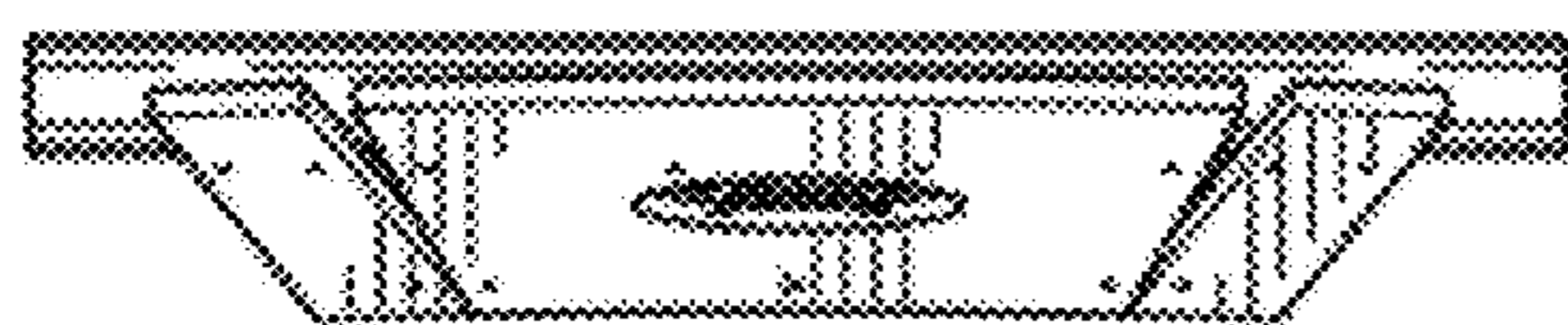


FIG. 6



FIG. 7

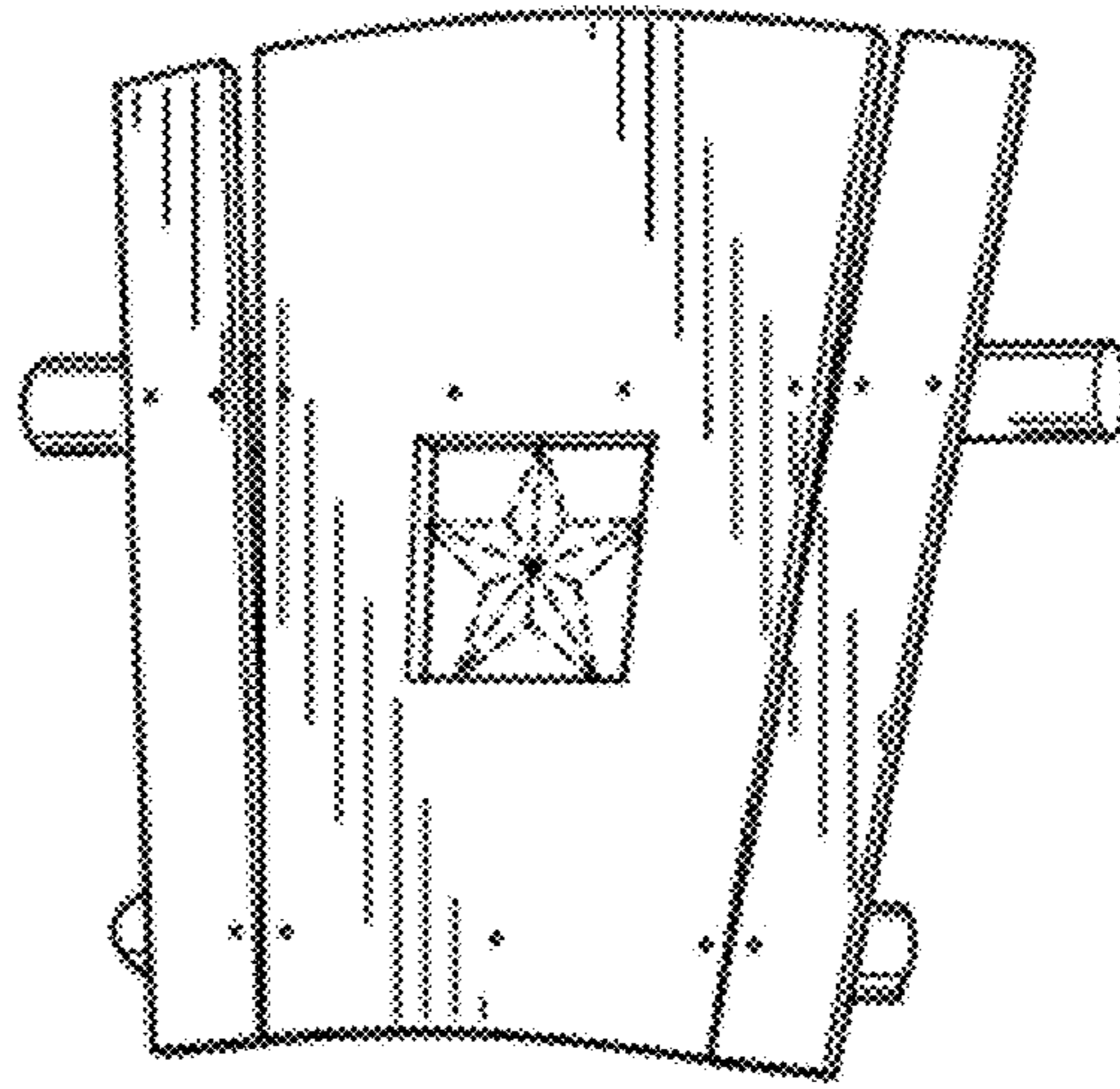


FIG. 8

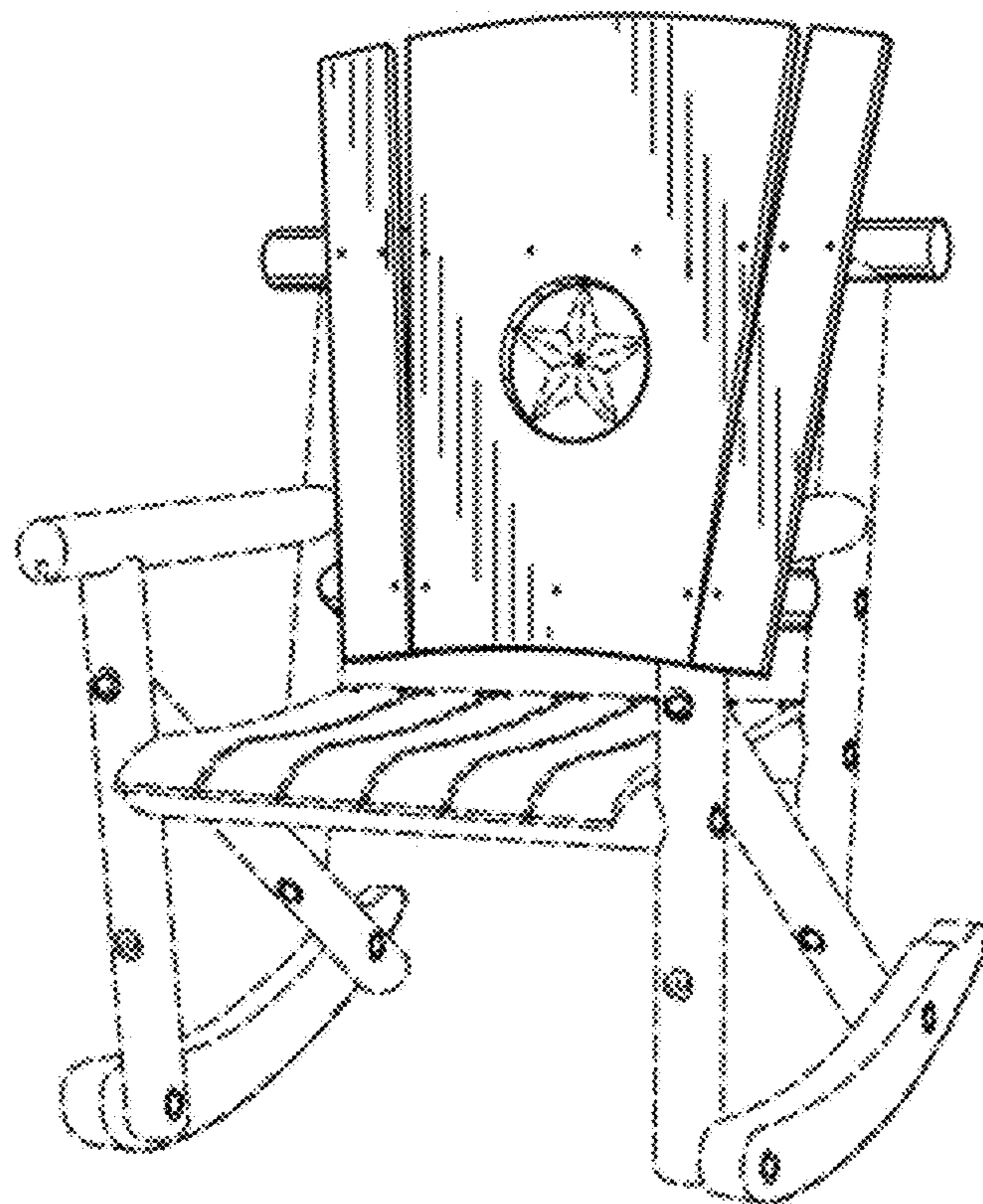


FIG. 9