



US00D658410S

(12) **United States Design Patent**
Geivett

(10) **Patent No.:** **US D658,410 S**

(45) **Date of Patent:** **** May 1, 2012**

(54) **ROCKER ATTACHMENT FOR A BABY CAR SEAT SEAT**

D618,926 S * 7/2010 Holbrook D6/339
D622,070 S * 8/2010 Holbrook D6/333
D645,279 S * 9/2011 Sprinkle D6/495

(76) Inventor: **James Geivett**, North Highlands, CA
(US)

* cited by examiner

(**) Term: **14 Years**

Primary Examiner — Caron D Veynar

Assistant Examiner — Abraham Bahta

(21) Appl. No.: **29/395,082**

(74) *Attorney, Agent, or Firm* — Mark C. Jacobs

(22) Filed: **Nov. 21, 2011**

(57) **CLAIM**

The ornamental design for a rocker attachment for a baby car seat, as shown and described.

(51) **LOC (9) Cl.** **06-01**

(52) **U.S. Cl.** **D6/500**

(58) **Field of Classification Search** D6/334–336,
D6/344, 348, 370–371, 373–376, 379–380,
D6/491, 495–499, 500–502; D8/395–396,
D8/499; D21/694, 688; 297/258.1, 271.5,
297/252, 352, 448.2, 463.2, 344.1, 259.3,
297/282, 452.18, 265.1, 270.1, 344.21;
472/102–103; 474/220; 482/130

DESCRIPTION

See application file for complete search history.

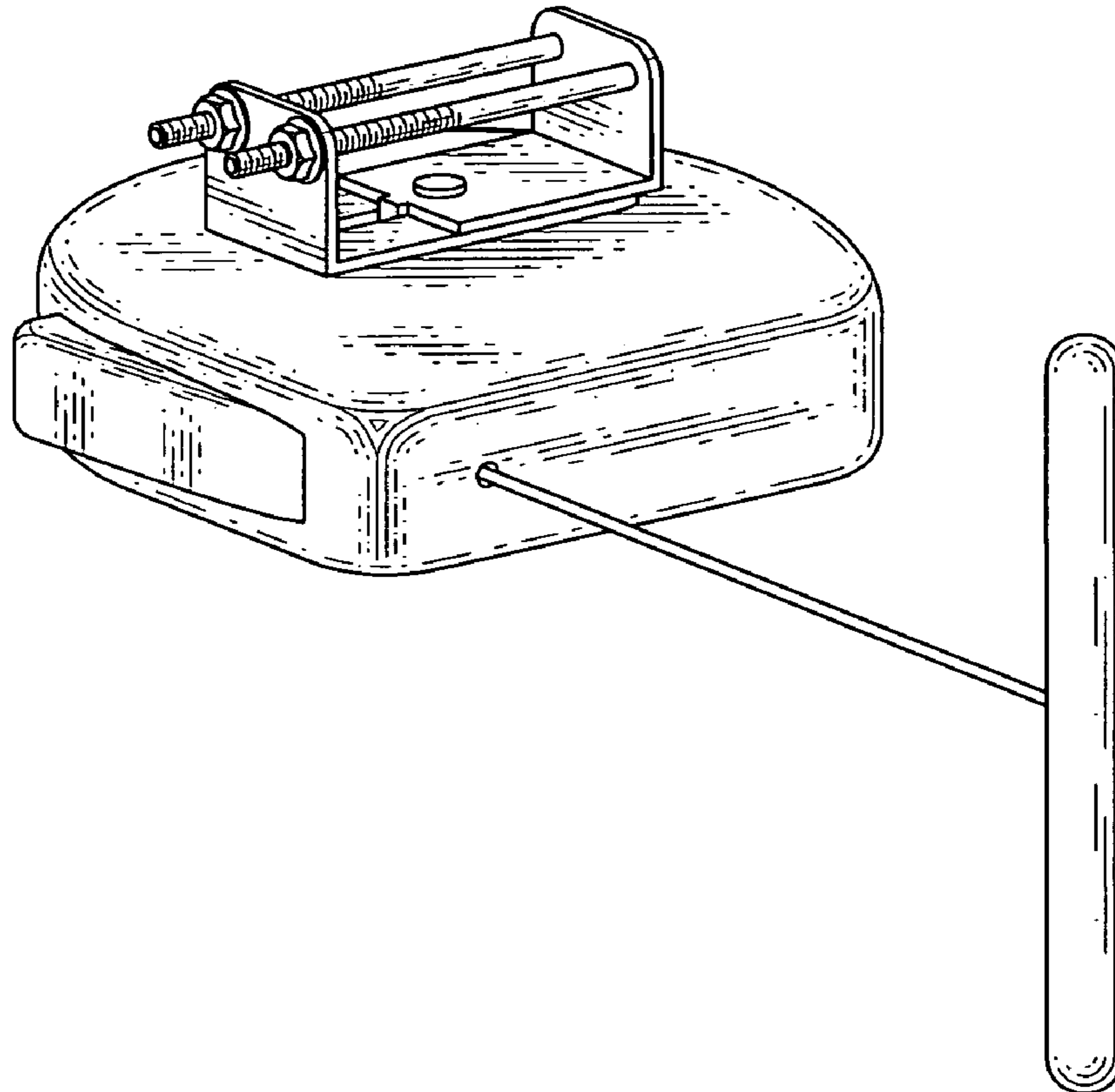
FIG. 1 is a top perspective view of the rocker attachment for a baby car seat showing my new design;
FIG. 2 is a left side elevational view thereof;
FIG. 3 is a bottom plan view thereof;
FIG. 4 is a front elevational thereof;
FIG. 5 is a rear elevational view thereof;
FIG. 6 is a top plan view thereof;
FIG. 7 is a right side elevational view thereof;
FIG. 8 is a top plan view thereof, with the flange expanded and rotated and the pull cord retracted;
FIG. 9 is a left side elevational view of the rocker attachment for a baby car seat in an operating condition; and,
FIG. 10 is another left side elevational view of the rocker attachment for a baby car seat in an operating condition.

(56) **References Cited**

U.S. PATENT DOCUMENTS

3,912,327 A * 10/1975 Johnson 297/272.1
4,372,606 A * 2/1983 Faull 297/265.1
D380,633 S * 7/1997 Shaw D6/495
D467,760 S * 12/2002 Marshall et al. D6/500
D491,736 S * 6/2004 Kane et al. D6/348
D598,681 S * 8/2009 Musschoot D6/501

1 Claim, 3 Drawing Sheets



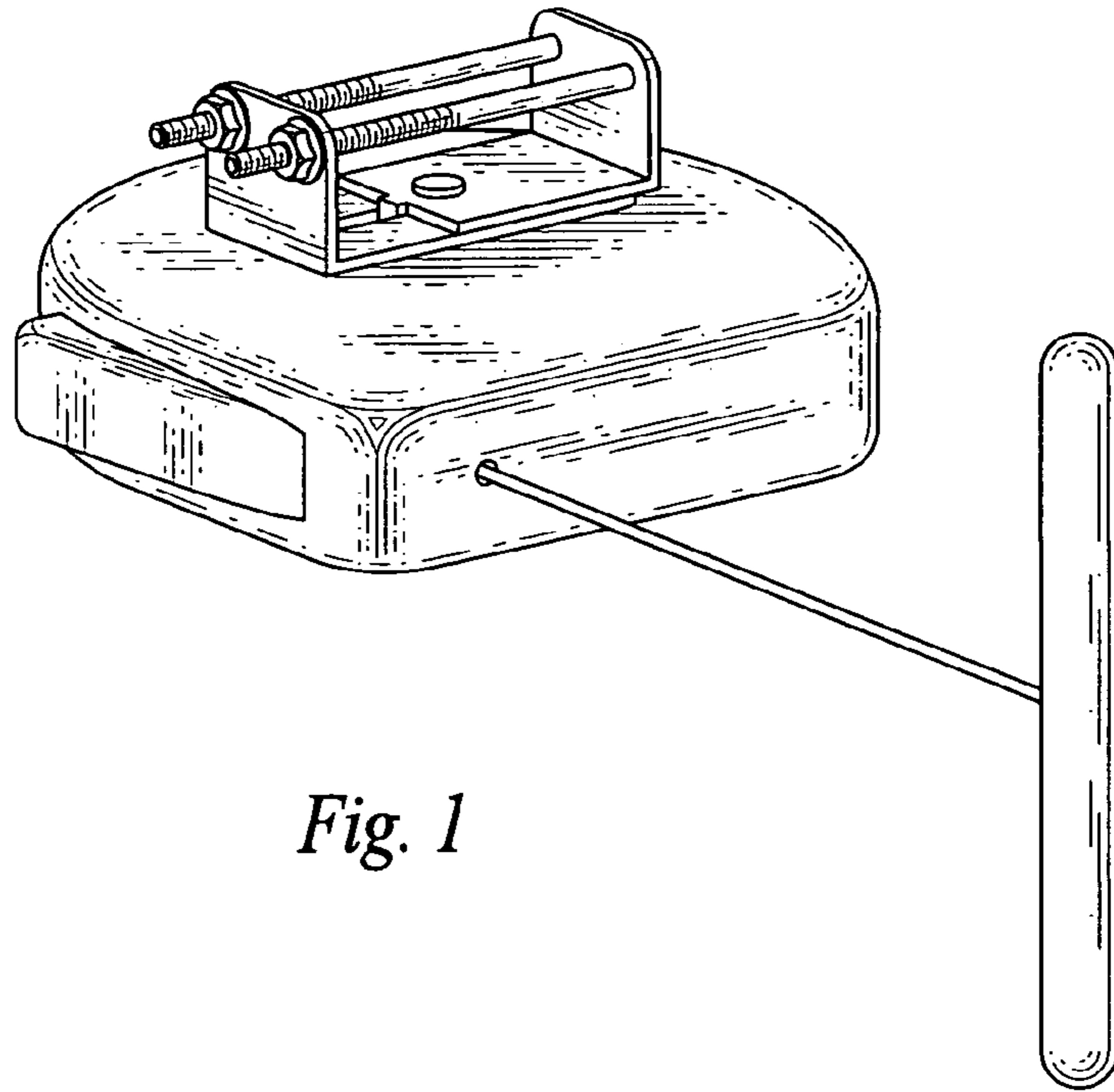


Fig. 1

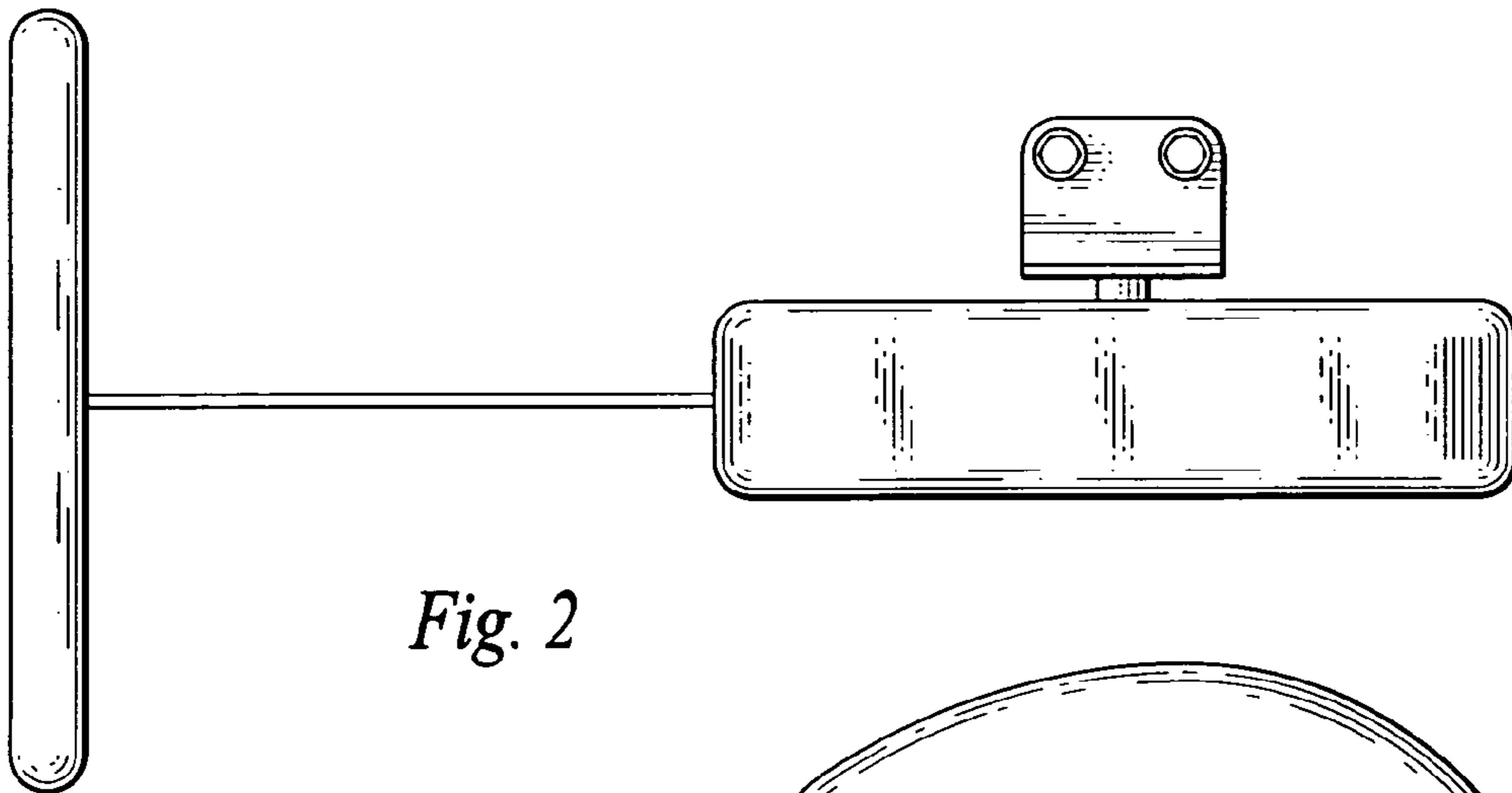


Fig. 2

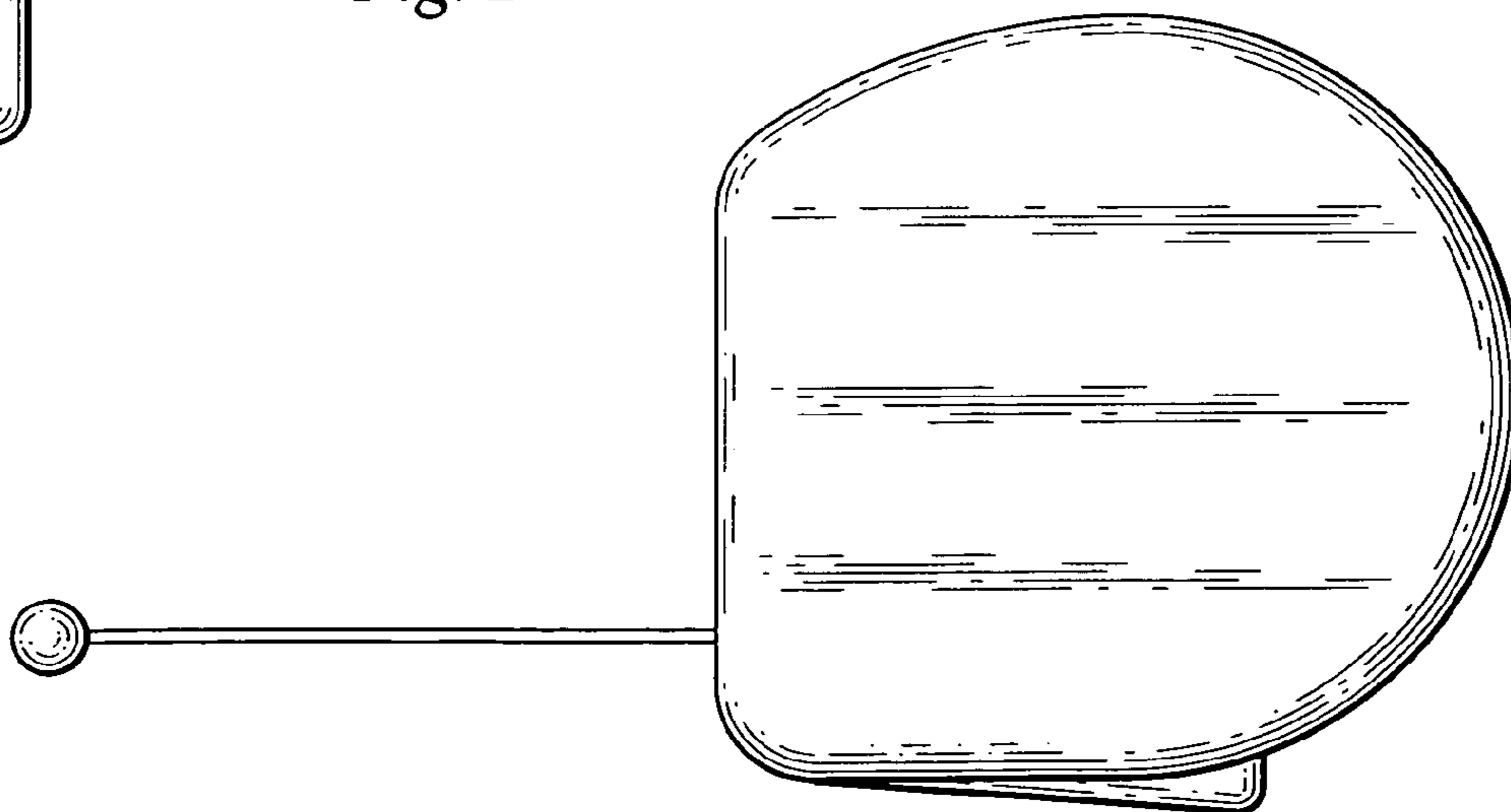


Fig. 3

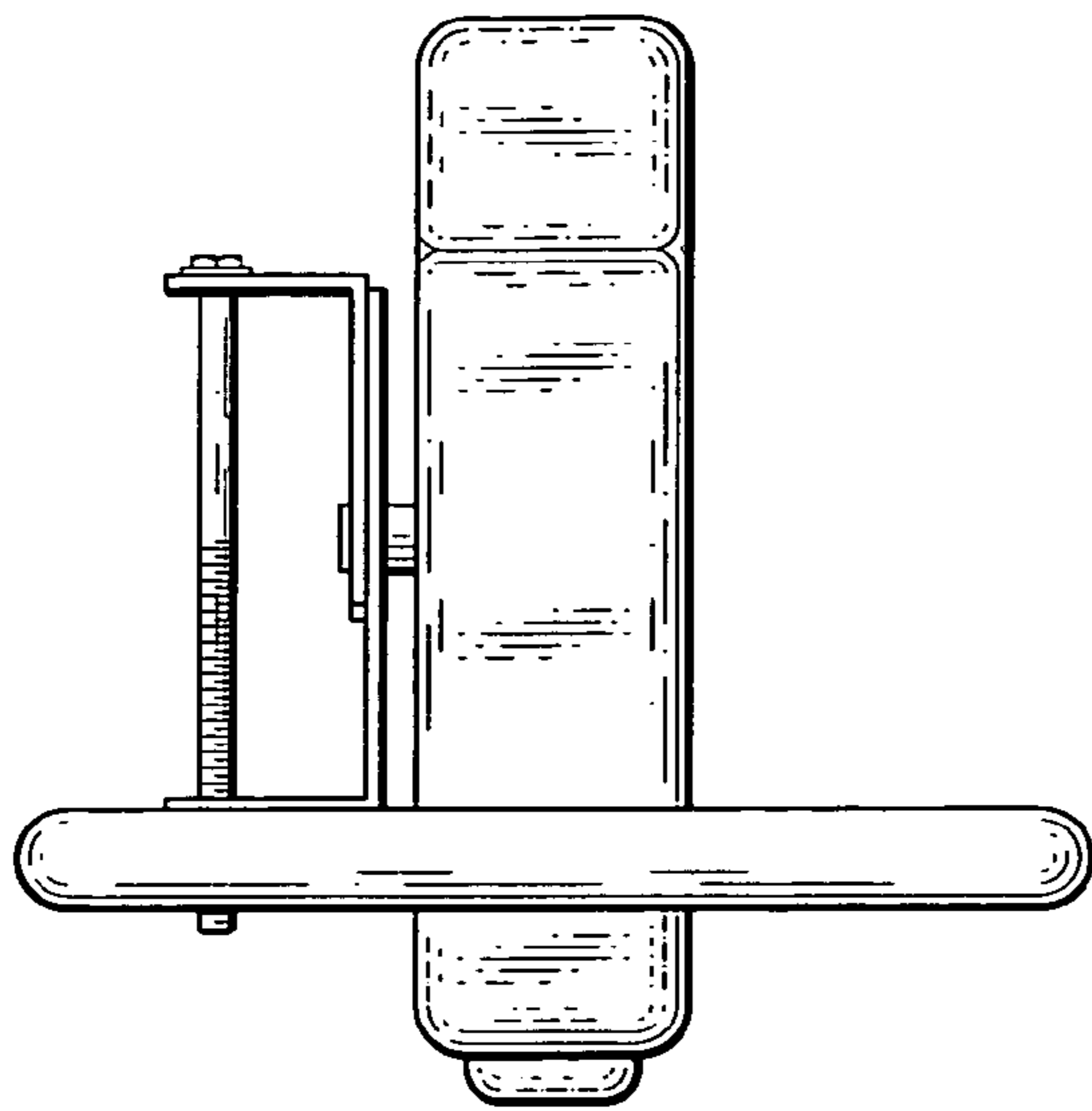


Fig. 4

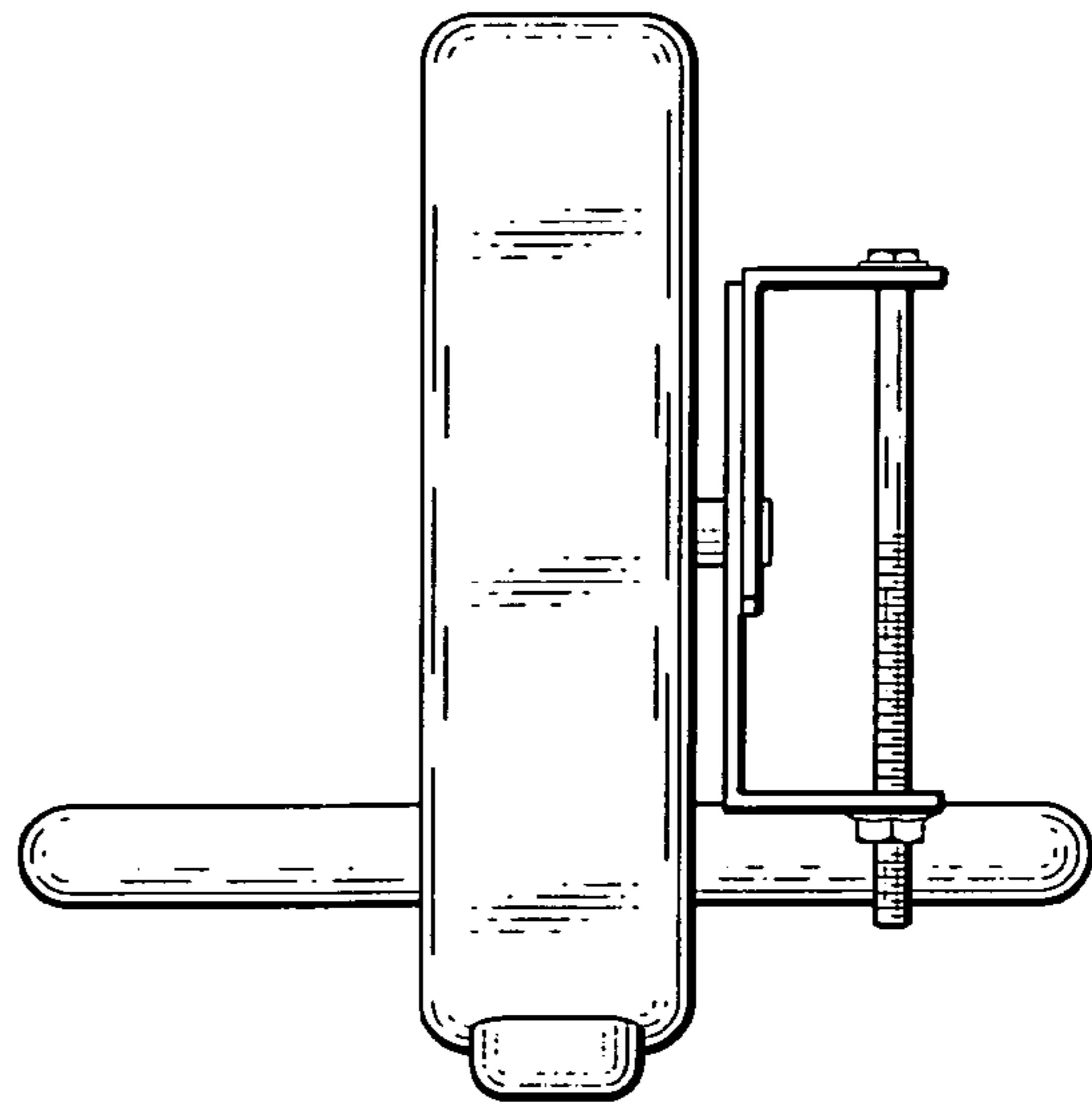


Fig. 5

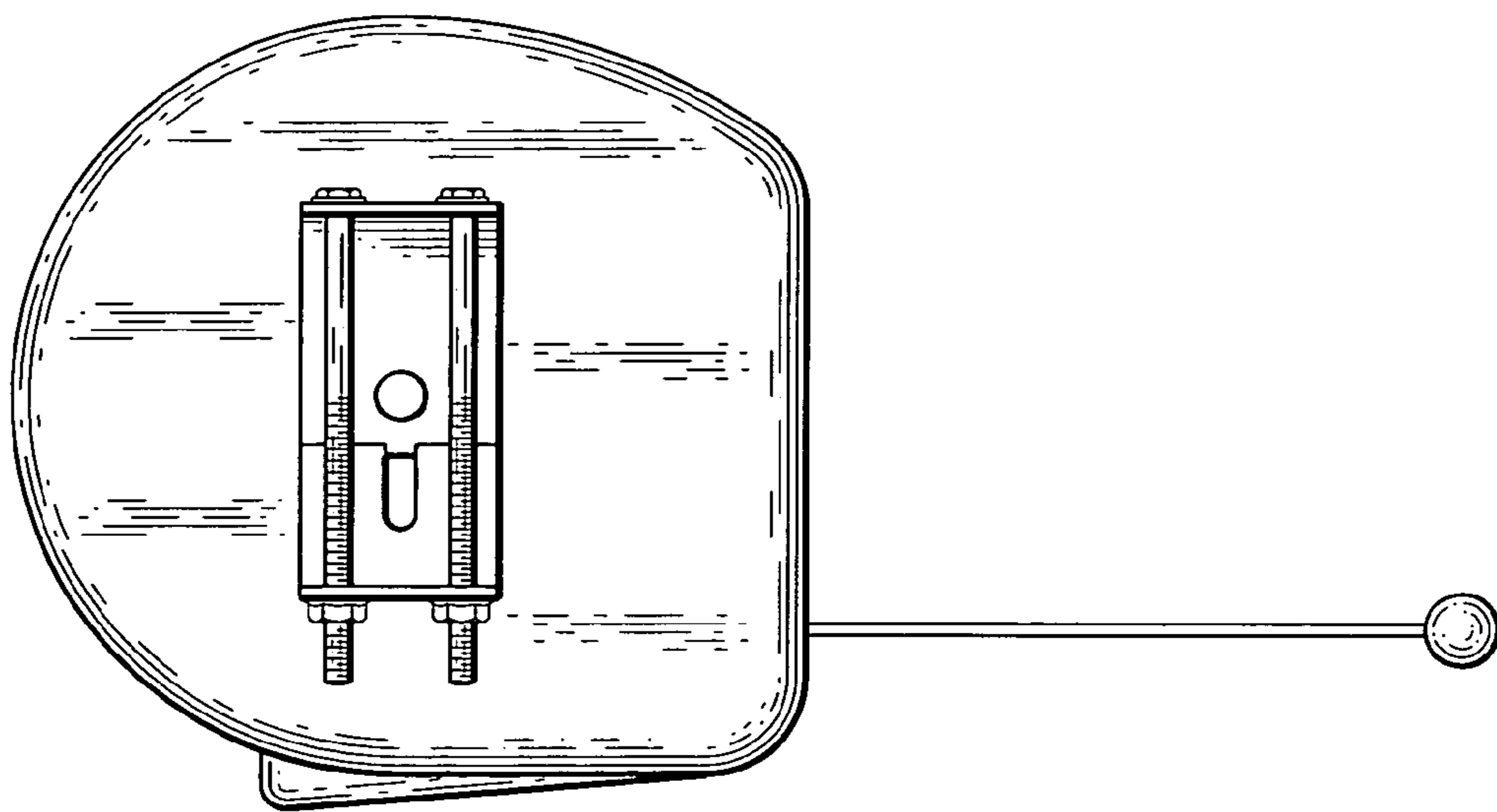


Fig. 6

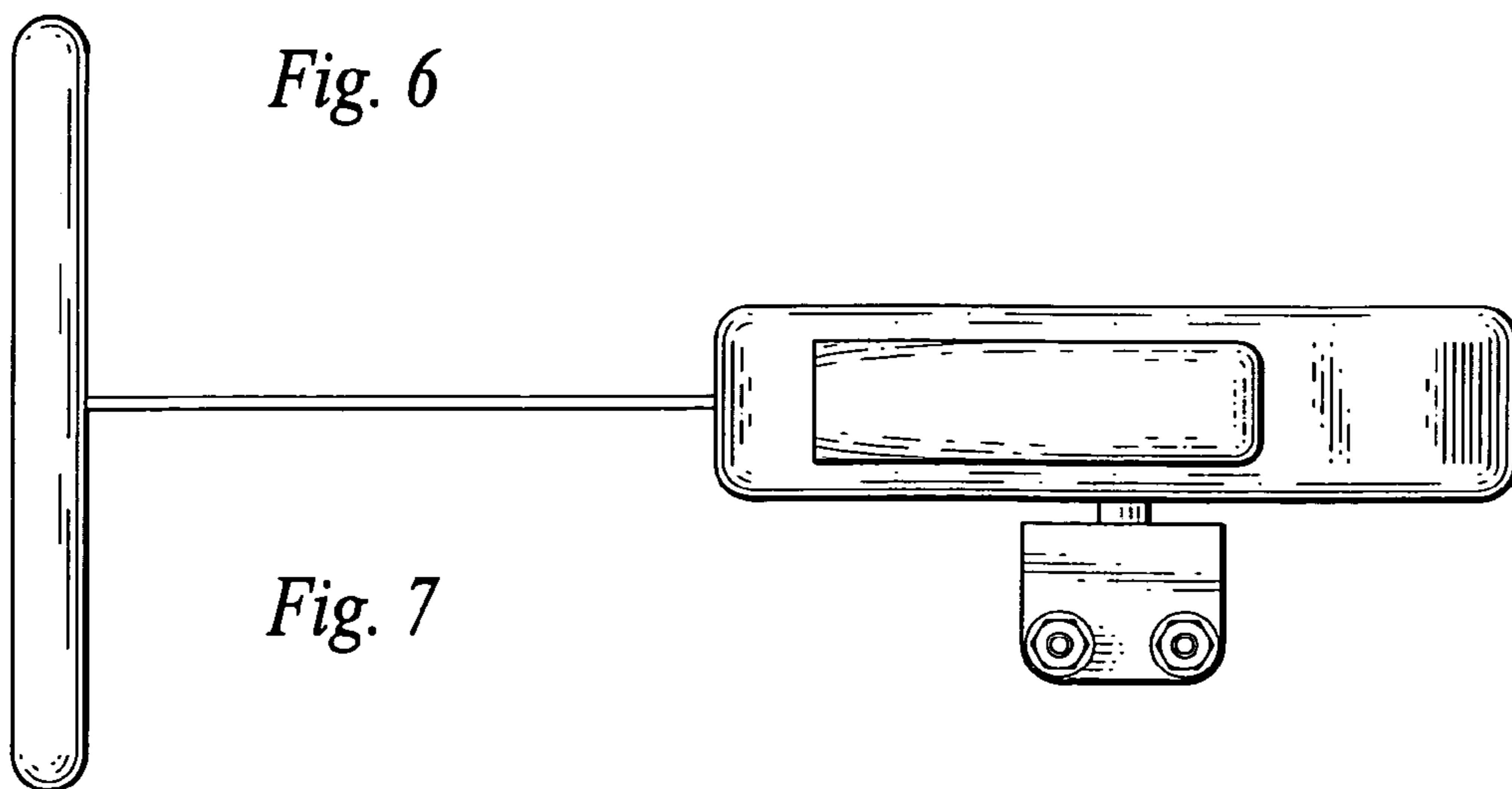


Fig. 7

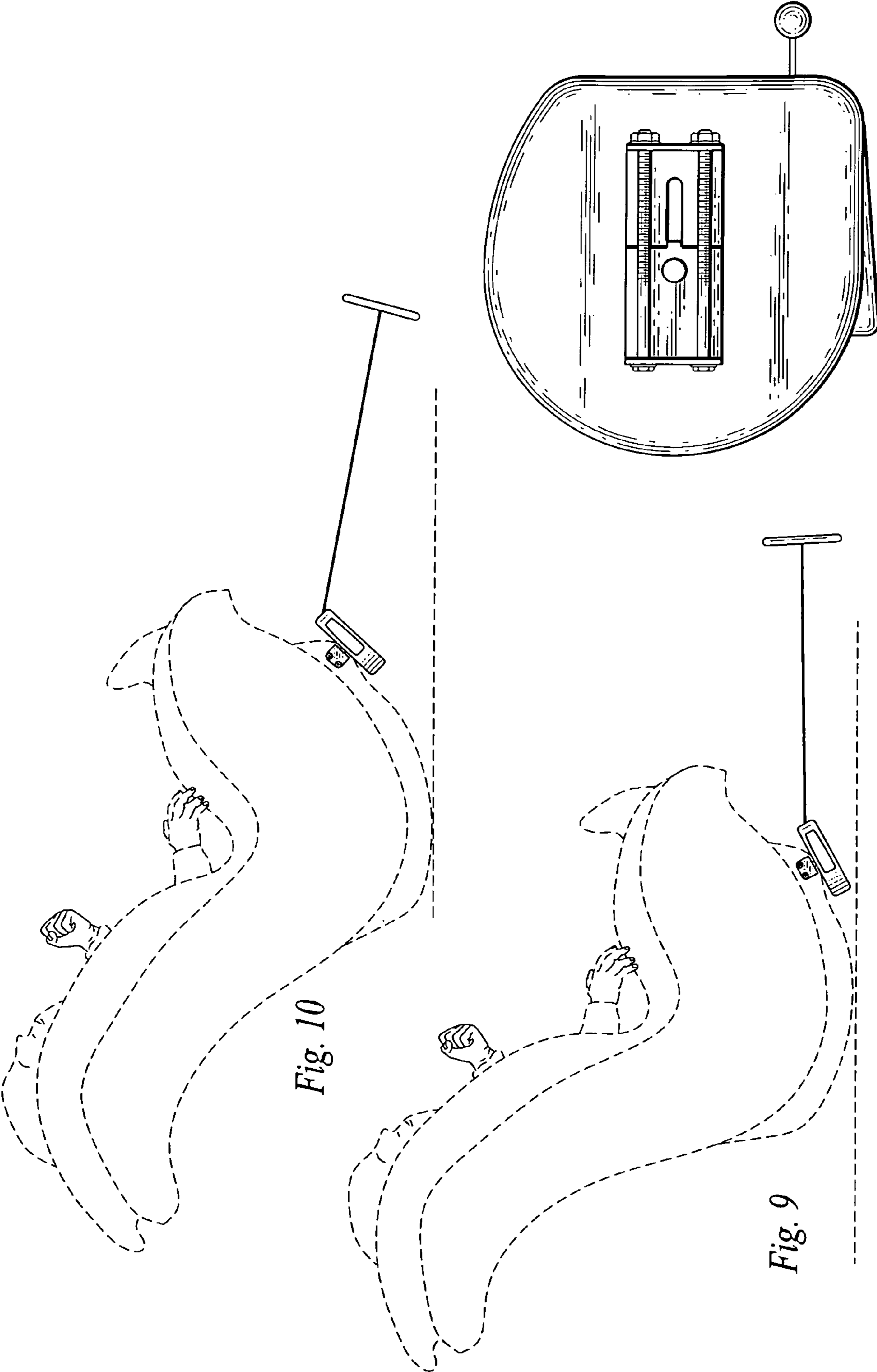


Fig. 8

Fig. 10

Fig. 9