



US00D658408S

(12) **United States Design Patent**
Spurgeon

(10) **Patent No.:** **US D658,408 S**

(45) **Date of Patent:** **** May 1, 2012**

(54) **PATTERNED INLAY STRIP**

FOREIGN PATENT DOCUMENTS

(76) Inventor: **Daniel A. Spurgeon**, Raytown, MO
(US)

DE 3310281 A1 10/1984

(**) Term: **14 Years**

OTHER PUBLICATIONS

Benissimo Systems, "Benissimo Systems," from website www.
benissimosystems.com (printed Apr. 17, 2009).

(21) Appl. No.: **29/341,908**

(Continued)

(22) Filed: **Aug. 14, 2009**

Primary Examiner — Doris Clark

(51) **LOC (9) Cl.** **06-06**

(74) *Attorney, Agent, or Firm* — Hovey Williams LLP

(52) **U.S. Cl.** **D6/491**

(58) **Field of Classification Search** D6/491,
D6/481; D25/138, 136, 158; 52/802.1, 801.1,
52/800.1, 800.11, 796.12, 797.1, 716.1, 309.1,
52/108, 290, 312, 392, 417
See application file for complete search history.

(57) **CLAIM**

The ornamental design for a patterned inlay strip, as shown
and described.

(56) **References Cited**

U.S. PATENT DOCUMENTS

1,396,554 A	11/1921	Breese
1,485,810 A	3/1924	Parker, Jr. et al.
2,037,294 A	4/1936	Williamson
3,077,012 A	2/1963	Speraw
3,343,645 A	9/1967	Doerfling
3,511,738 A	5/1970	McGuire
3,623,599 A	11/1971	Tillman
3,647,043 A	3/1972	Garetto
3,740,513 A	6/1973	Peters, Jr. et al.
3,842,488 A	10/1974	Mitchell
3,878,030 A	4/1975	Cook
3,950,202 A	4/1976	Hodges
D240,221 S	6/1976	Hluz
4,139,882 A	2/1979	Schneider
4,253,559 A	3/1981	Myers et al.
4,257,513 A	3/1981	Siarto
4,320,374 A	3/1982	Narancic et al.
4,333,288 A	6/1982	Coombs
4,364,672 A	12/1982	Shibuya et al.
4,570,782 A	2/1986	Cargill et al.
4,640,850 A	2/1987	Marocco
4,640,947 A	2/1987	Berg et al.
4,814,220 A	3/1989	Brathwaite

(Continued)

DESCRIPTION

This application is being filed with application for U.S. Let-
ters Patent Ser. No. 12/540,221, entitled Stone Article With
Patterned Trim, which is hereby incorporated in its entirety by
reference herein.

FIG. 1 is a front perspective view of a patterned inlay strip
showing my new design. The broken lines are for illustrative
purposes only and form no part of the claimed design.

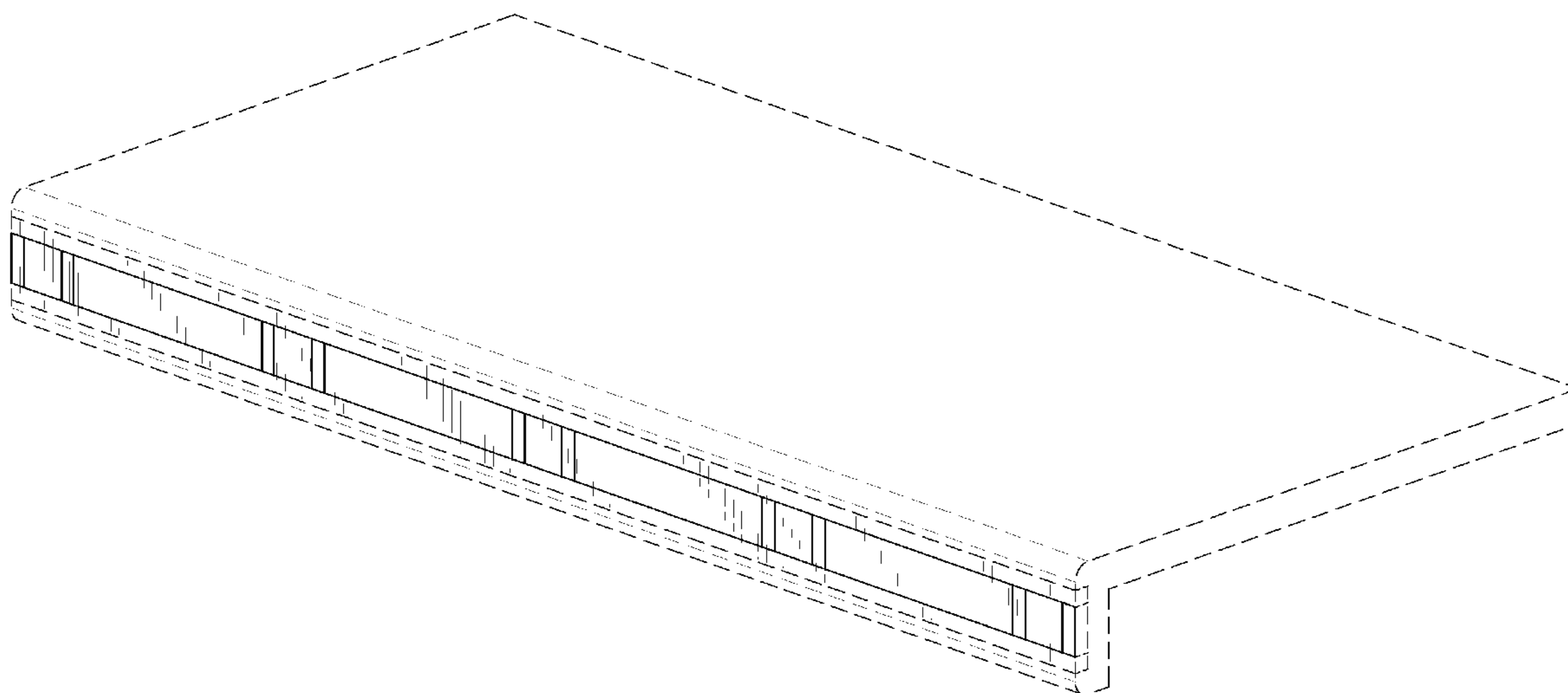
FIG. 2 is a rear perspective of the patterned inlay assembly
shown in FIG. 1;

FIG. 3 is a front elevation of the patterned inlay assembly
shown in FIGS. 1 and 2, with the rear elevation being a mirror
image thereof;

FIG. 4 is a top view of the patterned inlay assembly shown in
FIGS. 1-3, with the bottom view being a mirror image
thereof; and,

FIG. 5 is a side elevation of the patterned inlay assembly
shown in FIGS. 1-4, with the opposite side elevation being a
mirror image thereof.

1 Claim, 2 Drawing Sheets



U.S. PATENT DOCUMENTS

4,822,661 A 4/1989 Battaglia
 4,843,524 A 6/1989 Krent et al.
 4,931,331 A 6/1990 Owens
 4,940,000 A 7/1990 Horvath et al.
 4,956,030 A 9/1990 Baskin
 5,075,254 A 12/1991 Robinson et al.
 5,085,027 A 2/1992 McClung et al.
 5,157,891 A 10/1992 Nelson
 5,208,086 A 5/1993 Owens
 5,253,932 A 10/1993 Nesovic
 5,273,620 A 12/1993 Lamberti
 5,286,290 A 2/1994 Risley
 5,310,435 A * 5/1994 Kelly 156/182
 5,330,262 A 7/1994 Peters
 5,364,672 A 11/1994 Schultze-Kraft
 5,444,956 A * 8/1995 Searer et al. 52/312
 D362,707 S 9/1995 Massey
 5,452,666 A 9/1995 Peters
 5,469,685 A 11/1995 Nelson
 5,476,895 A 12/1995 Ghahary
 5,511,899 A 4/1996 Pavelek, II
 5,536,345 A 7/1996 Lingart
 5,538,742 A 7/1996 McHale et al.
 5,613,342 A 3/1997 Nelson
 5,640,947 A 6/1997 Shute
 5,670,007 A 9/1997 Toncelli
 5,697,413 A 12/1997 Fuller
 5,709,453 A 1/1998 Krent et al.
 5,787,667 A 8/1998 Sheahan et al.
 5,789,032 A 8/1998 Le Cong et al.
 5,792,524 A 8/1998 Lingart et al.
 5,797,238 A 8/1998 Berntsson et al.
 D412,076 S * 7/1999 Cain D6/491
 5,924,253 A * 7/1999 Walker 52/415
 6,006,735 A 12/1999 Schlough et al.
 D418,352 S 1/2000 Cadorette
 D433,157 S 10/2000 Whitson
 6,179,434 B1 1/2001 Saraiji
 6,183,585 B1 2/2001 Kelley
 6,205,727 B1 3/2001 Toncelli
 6,258,190 B1 7/2001 Sciarrino et al.
 D446,867 S 8/2001 Saalburg
 6,286,577 B1 9/2001 Douglas et al.
 D449,118 S 10/2001 Saalburg
 6,336,290 B1 1/2002 Callan
 6,378,257 B1 4/2002 Guerri
 6,413,337 B2 7/2002 Sciarrino et al.
 6,478,135 B1 11/2002 Coakley et al.
 6,517,897 B1 2/2003 Bordener
 6,547,419 B1 4/2003 Brackman
 6,772,748 B2 8/2004 Cleary
 6,792,934 B2 9/2004 Benyovits
 D497,012 S 10/2004 Bearden
 D498,544 S 11/2004 Mignone
 6,886,304 B1 5/2005 Godi et al.
 D509,598 S 9/2005 Hsu

6,945,006 B2 9/2005 Stoffer
 6,958,367 B2 10/2005 Milic et al.
 7,021,786 B1 4/2006 Sandor, Sr.
 7,090,380 B2 8/2006 Gerfers, III
 7,094,136 B2 8/2006 Nomoto et al.
 7,166,369 B2 1/2007 Sturley
 7,182,080 B1 2/2007 O'Neal
 7,221,104 B2 5/2007 Lys et al.
 7,229,203 B2 6/2007 Lath
 7,232,276 B2 6/2007 Oka et al.
 7,374,472 B2 5/2008 Zheng
 7,409,800 B2 8/2008 Budge
 2002/0006313 A1 1/2002 Pas
 2002/0124525 A1 9/2002 Stoffer
 2003/0047176 A1 3/2003 Benyovits
 2003/0070670 A1 4/2003 Cleary
 2003/0070671 A1 4/2003 Cleary
 2004/0150306 A1 8/2004 Steedly
 2004/0213946 A1 10/2004 Miller
 2004/0228144 A1 11/2004 Squicciarini
 2005/0006379 A1 1/2005 Sullivan
 2005/0035693 A1 2/2005 Reamer
 2005/0073224 A1 4/2005 Livingston et al.
 2006/0154015 A1 7/2006 Miller et al.
 2006/0179791 A1 8/2006 Shaw
 2006/0198128 A1 9/2006 Piegras et al.
 2006/0217044 A1 9/2006 Volponi
 2007/0003791 A1 1/2007 Rochette
 2007/0231427 A1 10/2007 Ream

OTHER PUBLICATIONS

Alibaba.com Corp, "Jiangxi Hongtai Industry Group Co., Inc.," from website www.hongtai.en.alibaba.com (printed Mar. 28, 2007).
 Marblemaster, "Microthin Granite Panels," from website www.marblemaster.com (printed Mar. 28, 2007).
 Lyman Associates, Inc., "Home Page," from website www.lymanassociates.com (printed Mar. 31, 2007).
 Auto 'V' Grooving, Inc. "Auto 'V' Grooving Inc.," from website www.vgrooving.com (printed Apr. 1, 2007).
 Auto 'V' Grooving Inc., "ST-SS-2-FT Automatic Lineal 'V' Groover for Natural and Engineered Stone Plus Solid Surface," from web site www.vgrooving.com (printed Apr. 1, 2007).
 SEClay, About Precision Stone Inlays at <http://www.seclay.com/aboutinlays/aboutinlays.htm> (dated Oct. 2, 2007).
 SEClay, Cabinetry at <http://www.seclay.com/cabinetry/cab.htm> (dated Oct. 2, 2007).
 SEClay, Inlay Catalogue at <http://www.seclay.com/catalog/cat> (dated Oct. 2, 2007).
 Prussiani Engineering, General Catalog at 24 (dated Oct. 2007).
 Joe Dowd, Countertop Innovation Takes Firm to New Level, Kitchen and Bath Design News; Jan. 2007; at 38, 40.
 Office Action from U.S. Appl. No. 29/303,747 (dated Mar. 2, 2010).
 Office Action from U.S. Appl. No. 29/303,747 (dated Oct. 19, 2010).

* cited by examiner

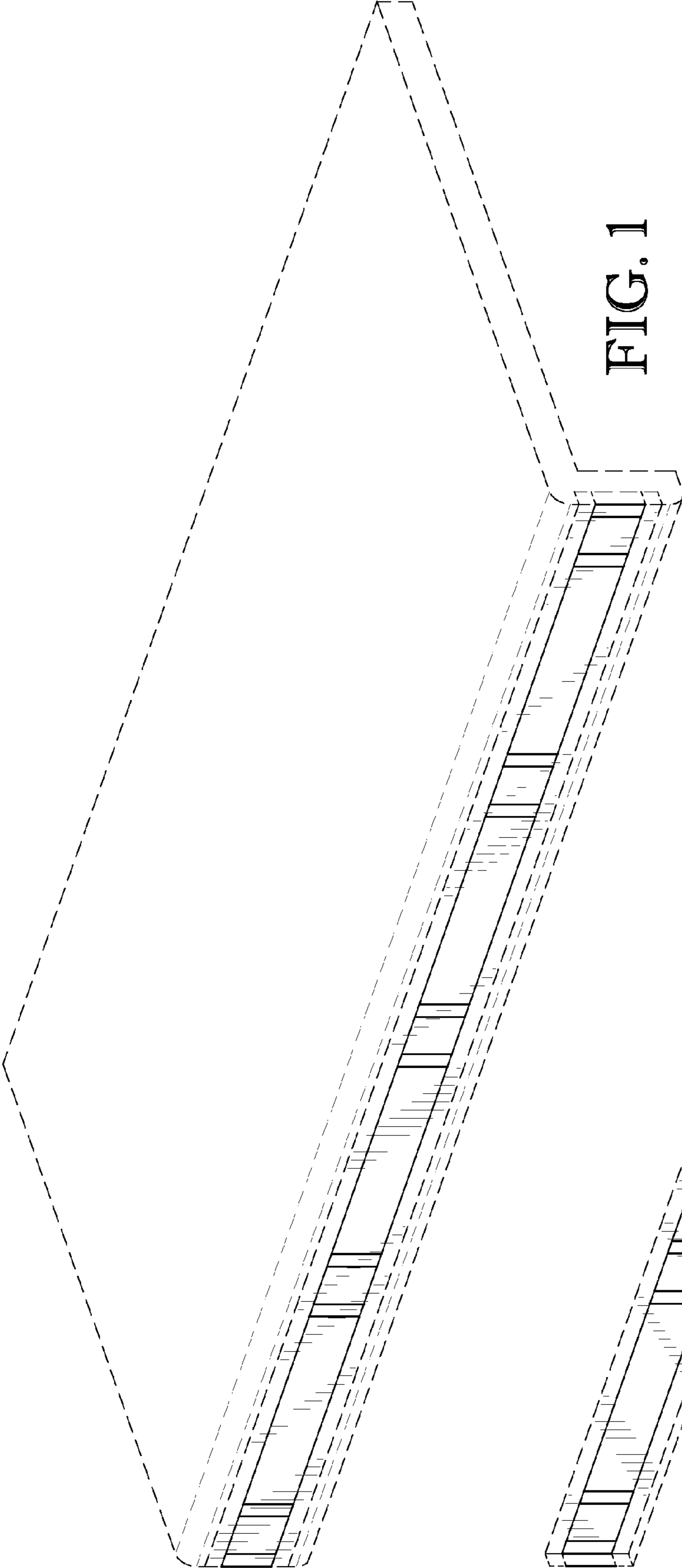


FIG. 1

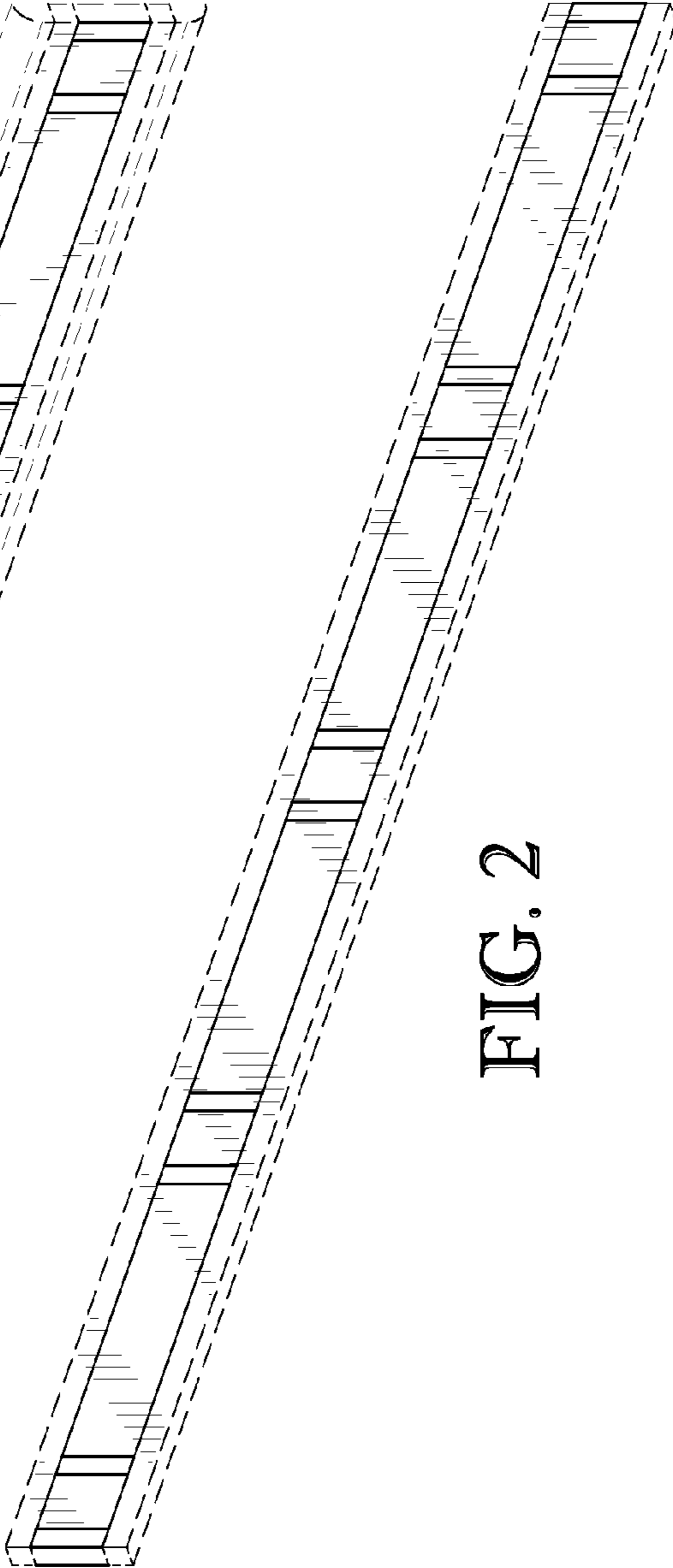


FIG. 2

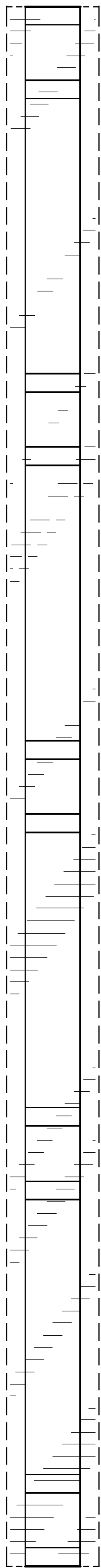


FIG. 3



FIG. 4

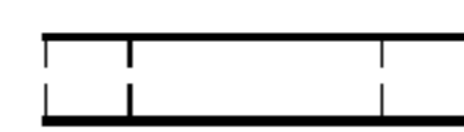


FIG. 5