



US00D658407S

(12) **United States Design Patent**
Pung et al.

(10) **Patent No.:** **US D658,407 S**

(45) **Date of Patent:** **** May 1, 2012**

(54) **STACKABLE TRAY**

(76) Inventors: **Michael Pung**, Midwest City, OK (US);
Stevan Wilcox, Arvada, CO (US)

(**) **Term:** **14 Years**

(21) **Appl. No.:** **29/374,785**

(22) **Filed:** **Oct. 5, 2011**

(51) **LOC (9) Cl.** **06-06**

(52) **U.S. Cl.** **D6/479**

(58) **Field of Classification Search** D6/474-476,
D6/462-468, 626-630, 449-450; D19/90,
D19/92; 312/9.1, 9.64; D32/55, 58; 211/40,
211/41.1, 41.2-41.4, 42, 41.12, 34, 41.18,
211/37

See application file for complete search history.

5,785,182 A	7/1998	Ashcraft	
D473,072 S *	4/2003	Seeley	D6/449
D485,713 S *	1/2004	Boron et al.	D6/511
D486,018 S *	2/2004	Bidwell et al.	D6/511
6,799,681 B1	10/2004	Warren	
D511,632 S *	11/2005	Lown	D6/440
D515,114 S *	2/2006	Grobleben	D15/89
7,012,209 B2	3/2006	Loewen	
D519,278 S *	4/2006	Boerma	D3/304
D519,279 S *	4/2006	Krebs et al.	D3/304
D577,489 S *	9/2008	Debowiecki	D3/315
7,438,188 B2	10/2008	Stolworthy	
D639,563 S *	6/2011	Chilewich et al.	D3/313
D649,192 S *	11/2011	Beukema et al.	D19/75
2010/0193406 A1	8/2010	Alderson	

* cited by examiner

Primary Examiner — Elizabeth Albert

Assistant Examiner — Kelley Donnelly

(74) *Attorney, Agent, or Firm* — Randal D. Homburg

(56) **References Cited**

U.S. PATENT DOCUMENTS

525,983 A	9/1894	Irvin	
801,968 A	10/1905	Clark	
849,614 A	4/1907	Holmes	
2,174,925 A	10/1939	McKeever	
D176,366 S *	12/1955	McFadyen	D19/78
3,151,792 A *	10/1964	Garland, Jr.	294/32
3,941,690 A	3/1976	Powers	
3,970,551 A	7/1976	Wright	
4,199,441 A	4/1980	Ross	
4,253,943 A	3/1981	Thrasher	
D260,568 S *	9/1981	Cherry	D3/314
4,290,527 A	9/1981	Wright	
4,319,985 A	3/1982	Hibbard	
4,525,270 A	6/1985	McCann	
D289,061 S *	3/1987	Klodt	D19/92
D326,200 S *	5/1992	Allen et al.	D6/479
D344,838 S *	3/1994	Hakansson	D3/304
D363,840 S *	11/1995	Weshler	D6/476
D364,513 S *	11/1995	Andrews	D6/411
D366,903 S *	2/1996	Baggott	D19/78
D385,287 S *	10/1997	Westcott	D15/89

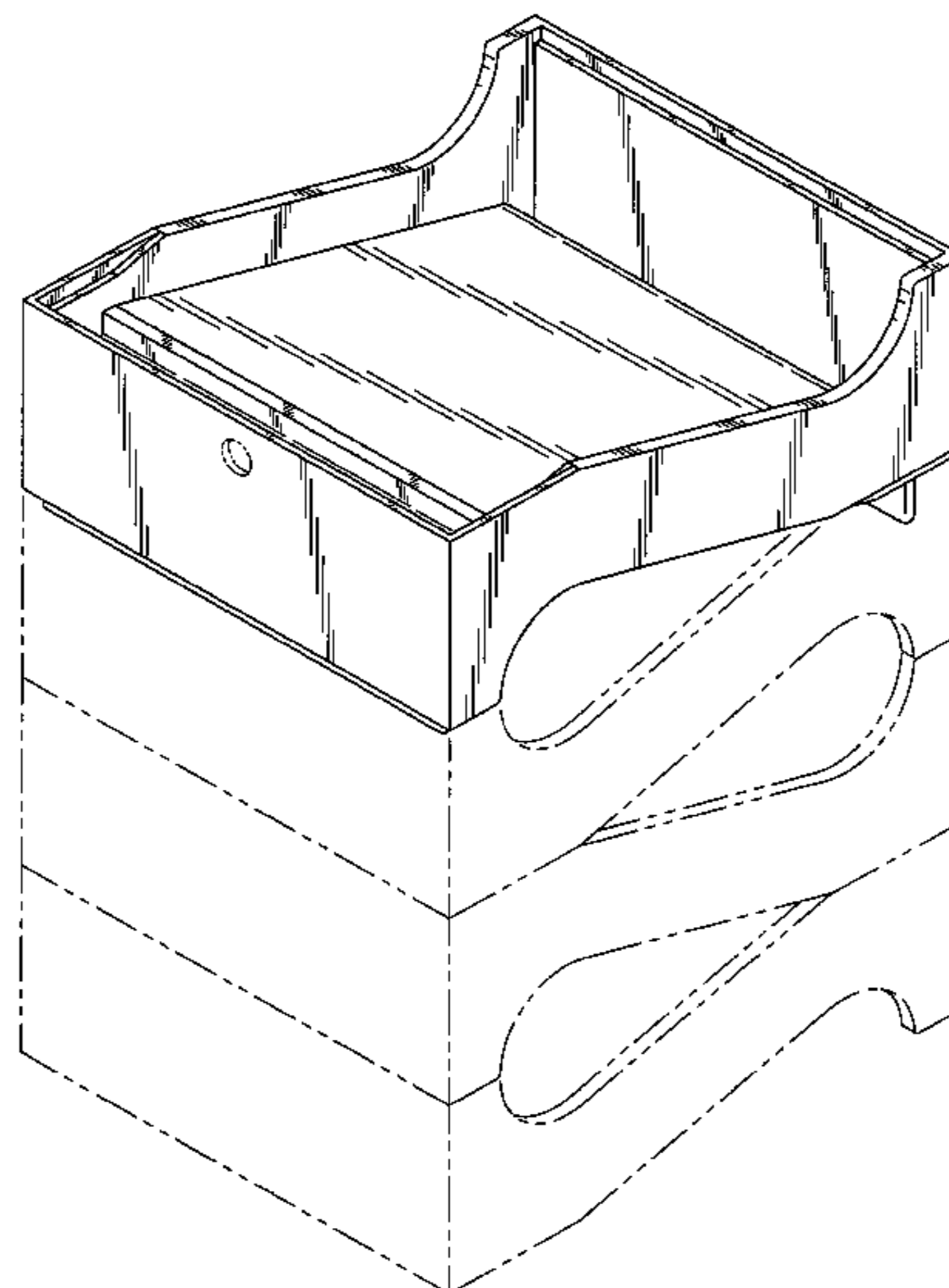
(57) **CLAIM**

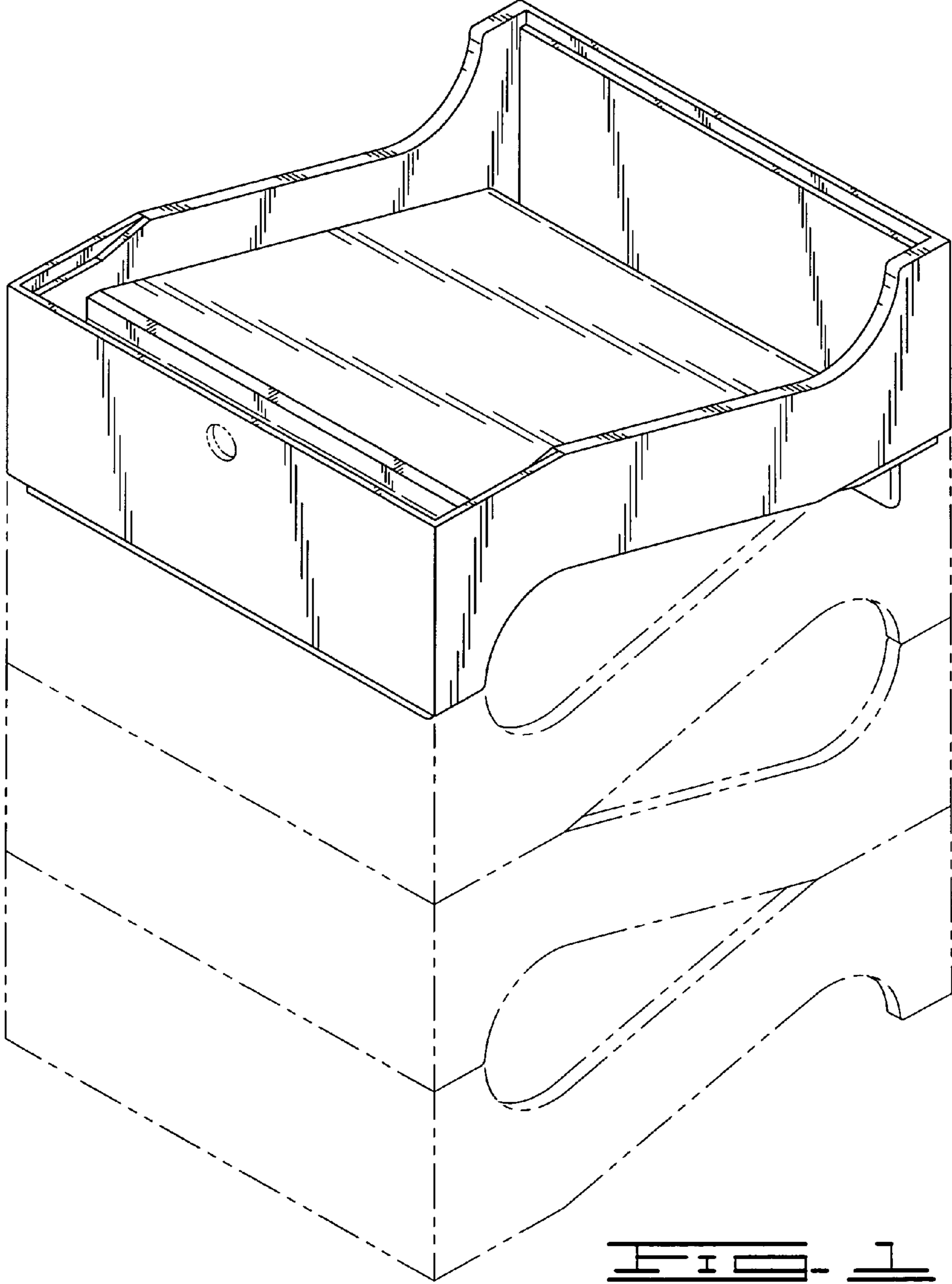
The ornamental design for a stackable tray, as shown and described.

DESCRIPTION

FIG. 1 is an upper perspective view of a stackable tray;
 FIG. 2 is a lower perspective view thereof; showing the stackable tray in the reverse position;
 FIG. 3 is a top view thereof;
 FIG. 4 is a bottom view thereof;
 FIG. 5 is a left side view thereof;
 FIG. 6 is a right side view thereof;
 FIG. 7 is a rear end view thereof;
 FIG. 8 is a front end view thereof; and,
 FIG. 9 is a left side cross-sectional view of FIG. 3.
 The broken lines showing is included for the purpose of illustrating environment and forms no part of the claimed design.

1 Claim, 7 Drawing Sheets





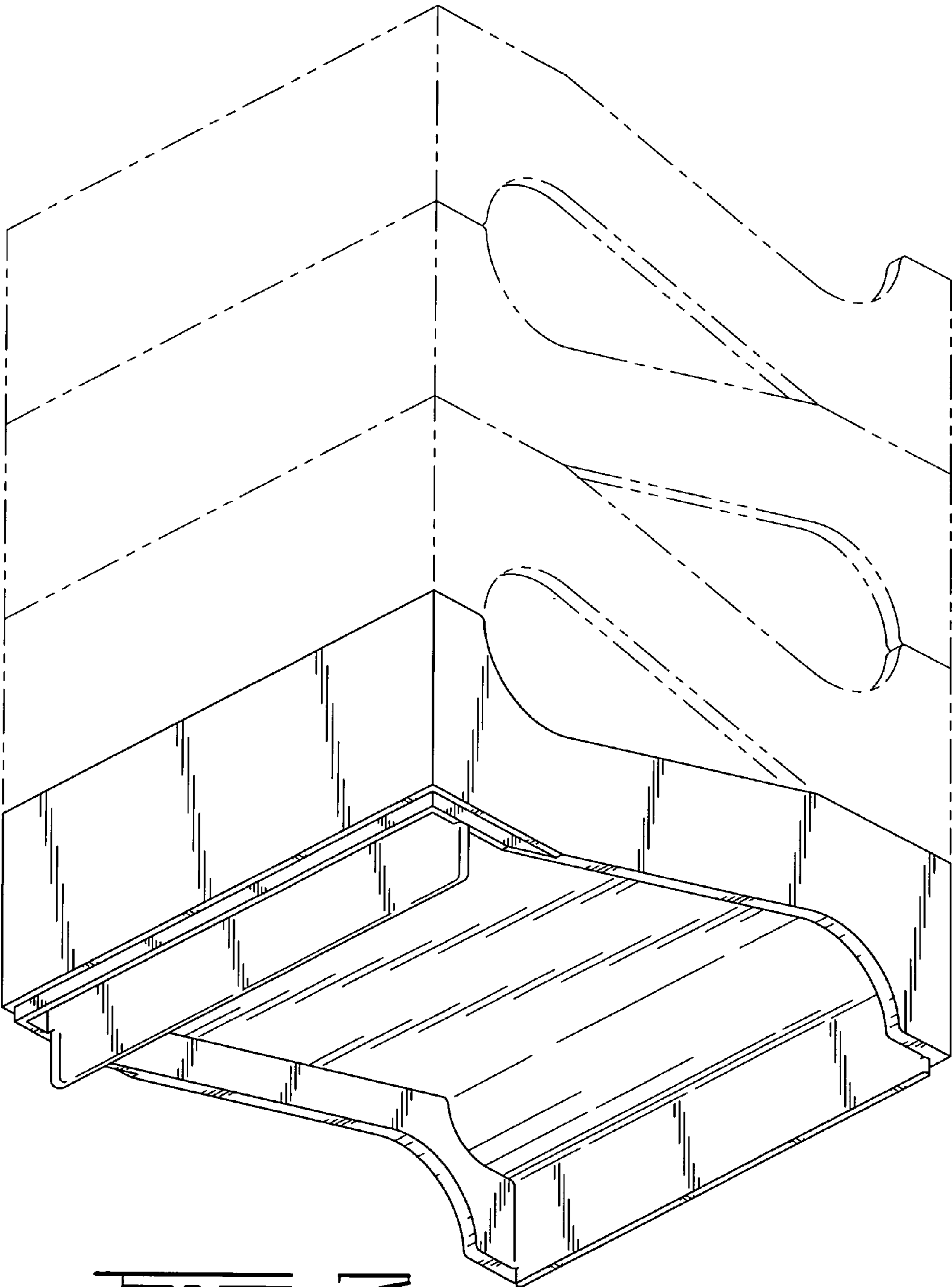
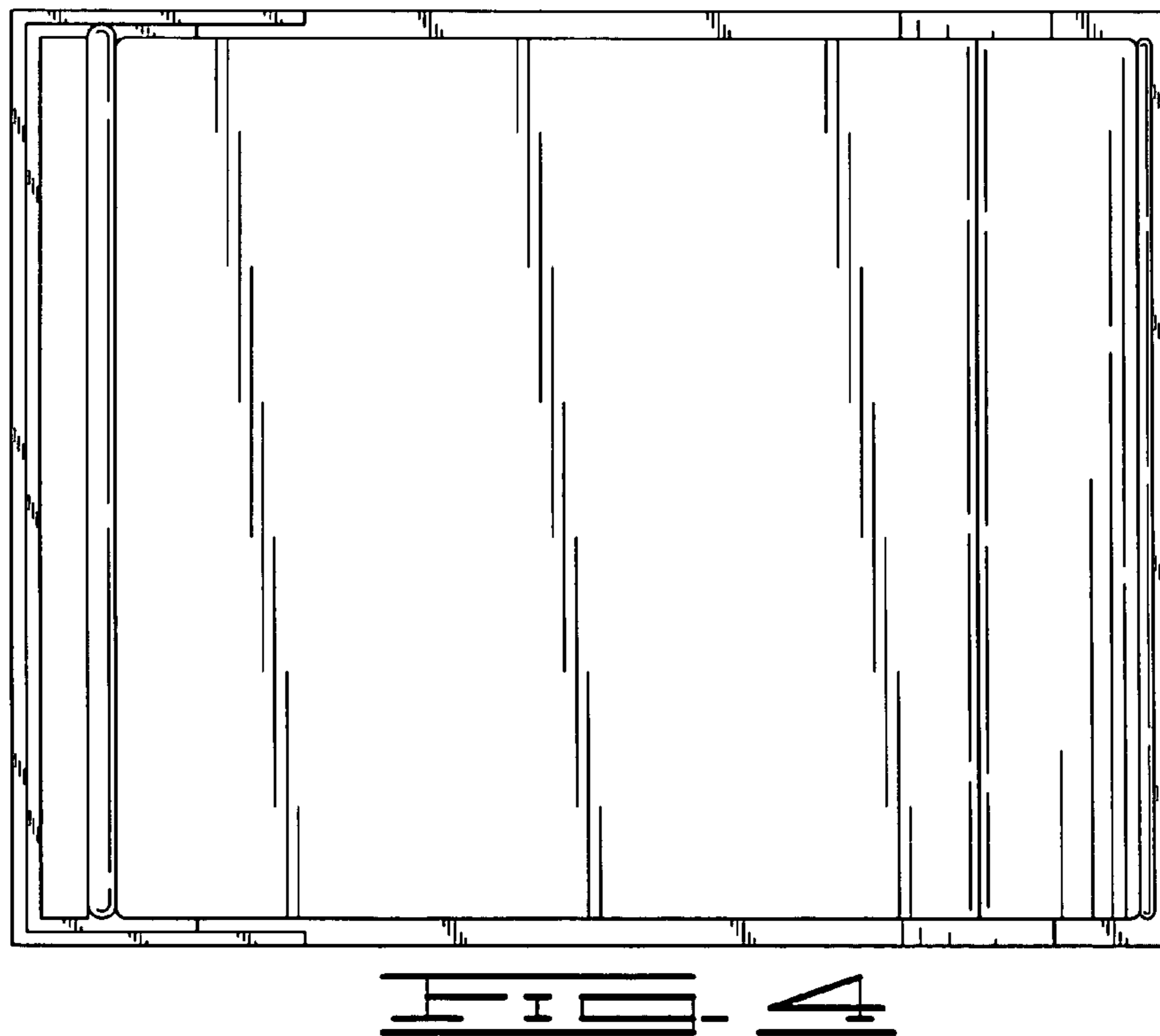
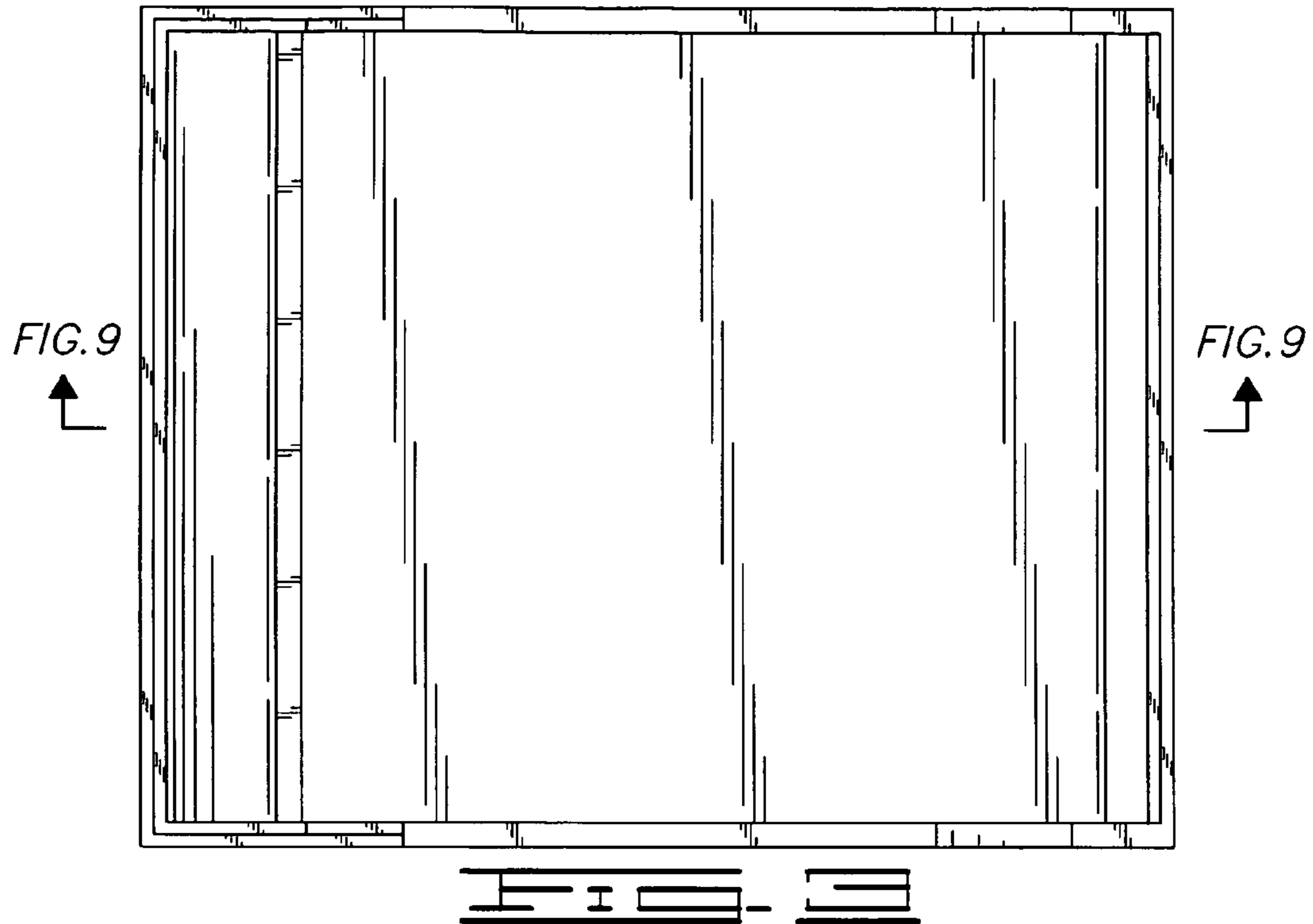


FIG. 3



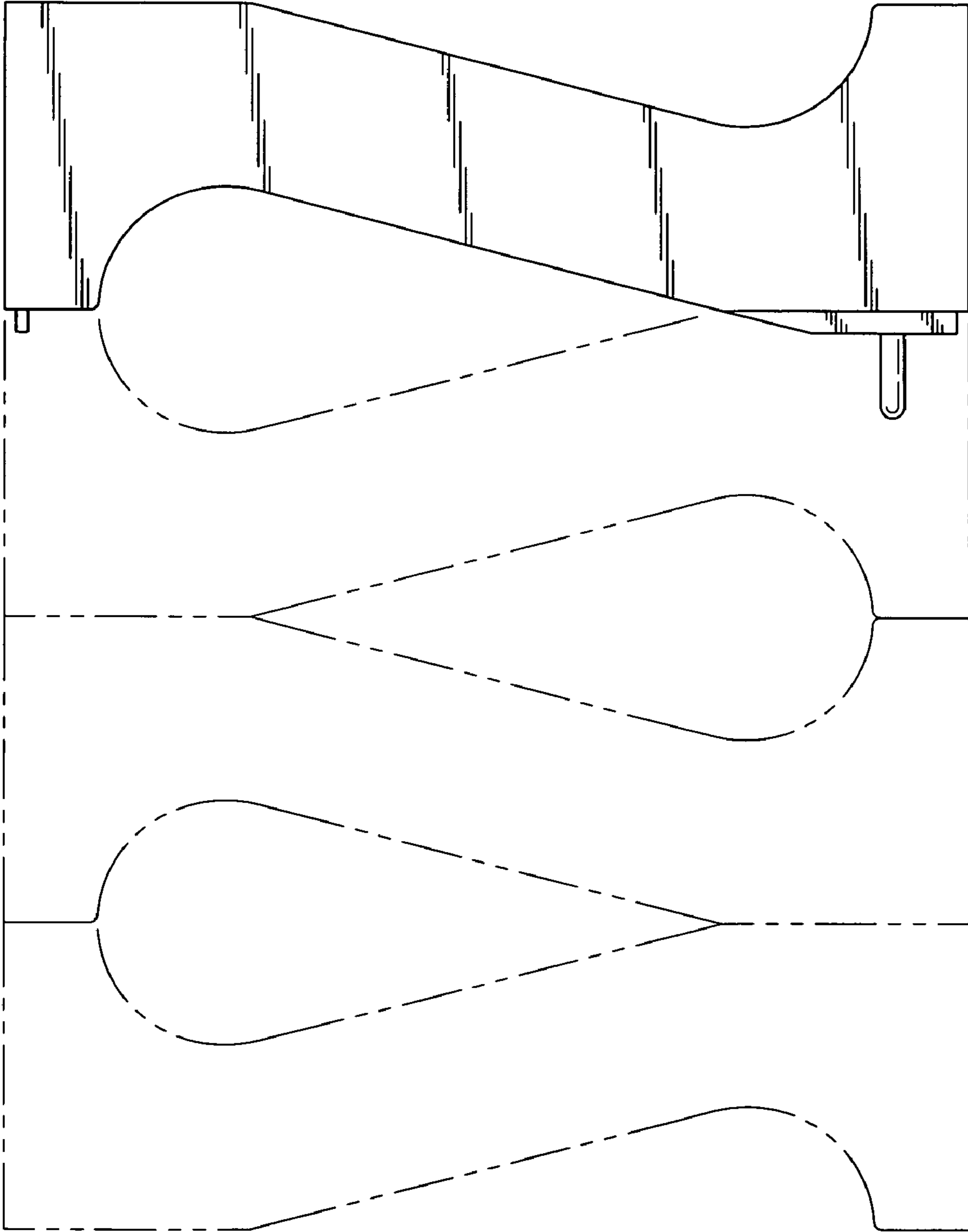


FIG. 5

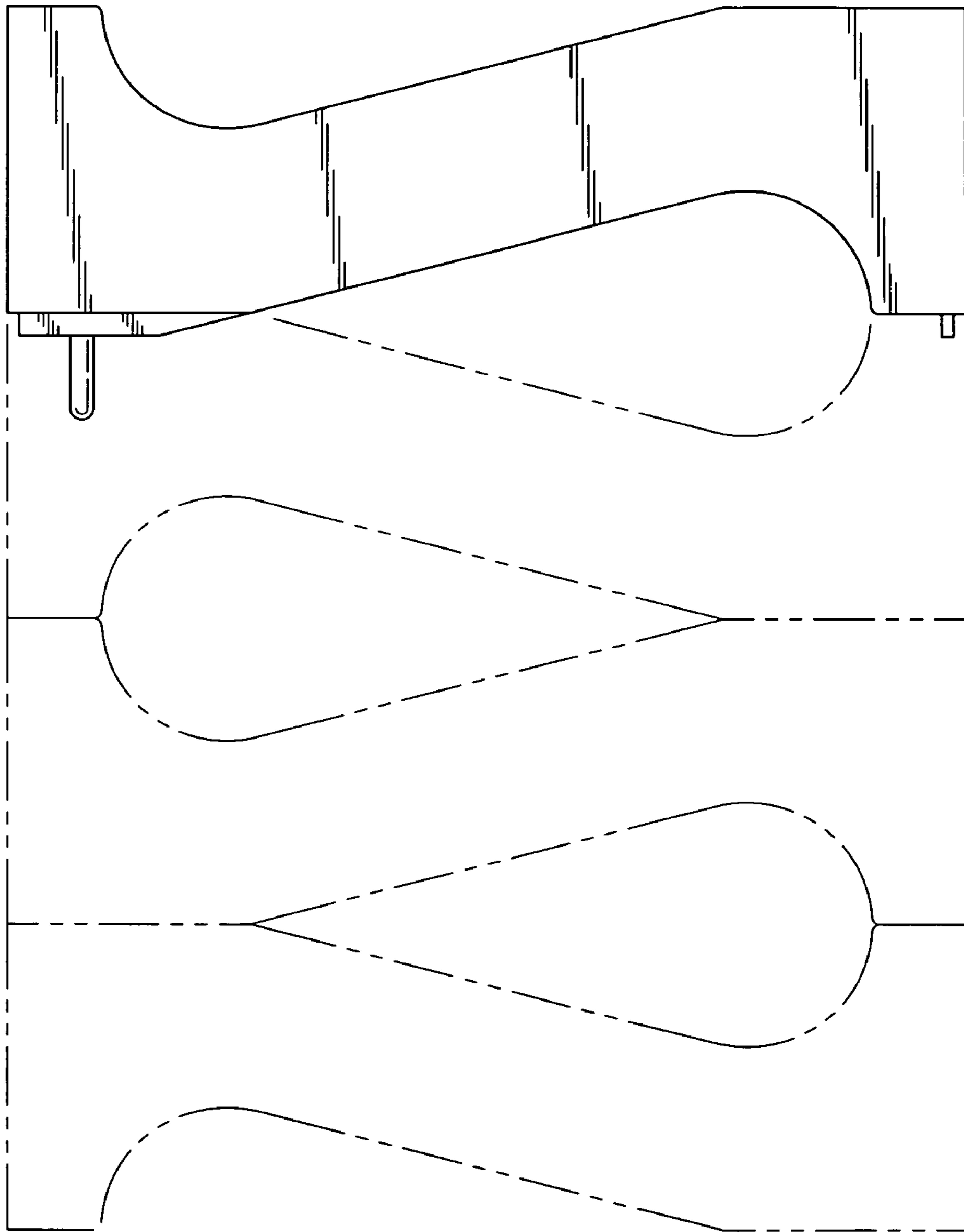
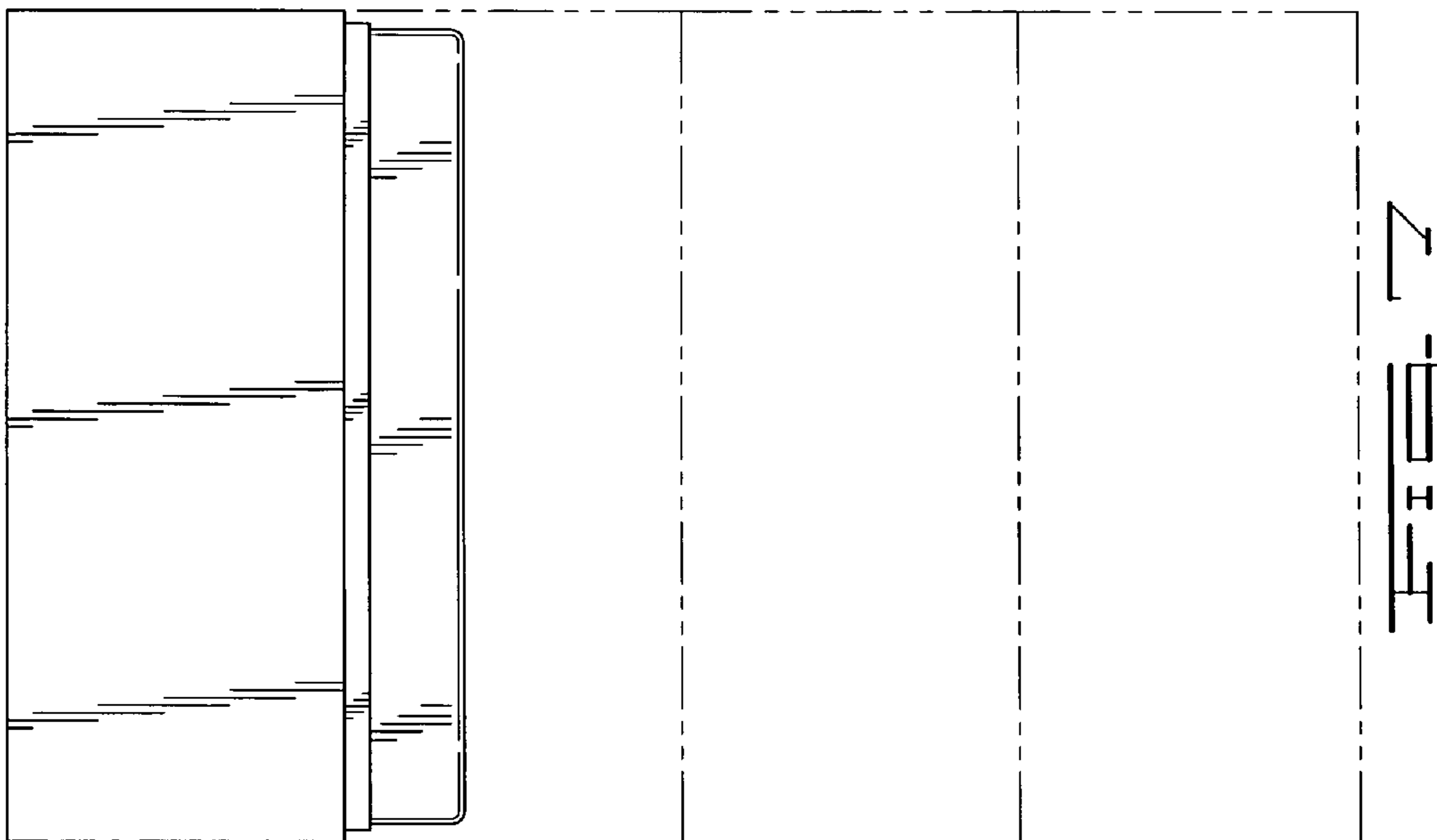
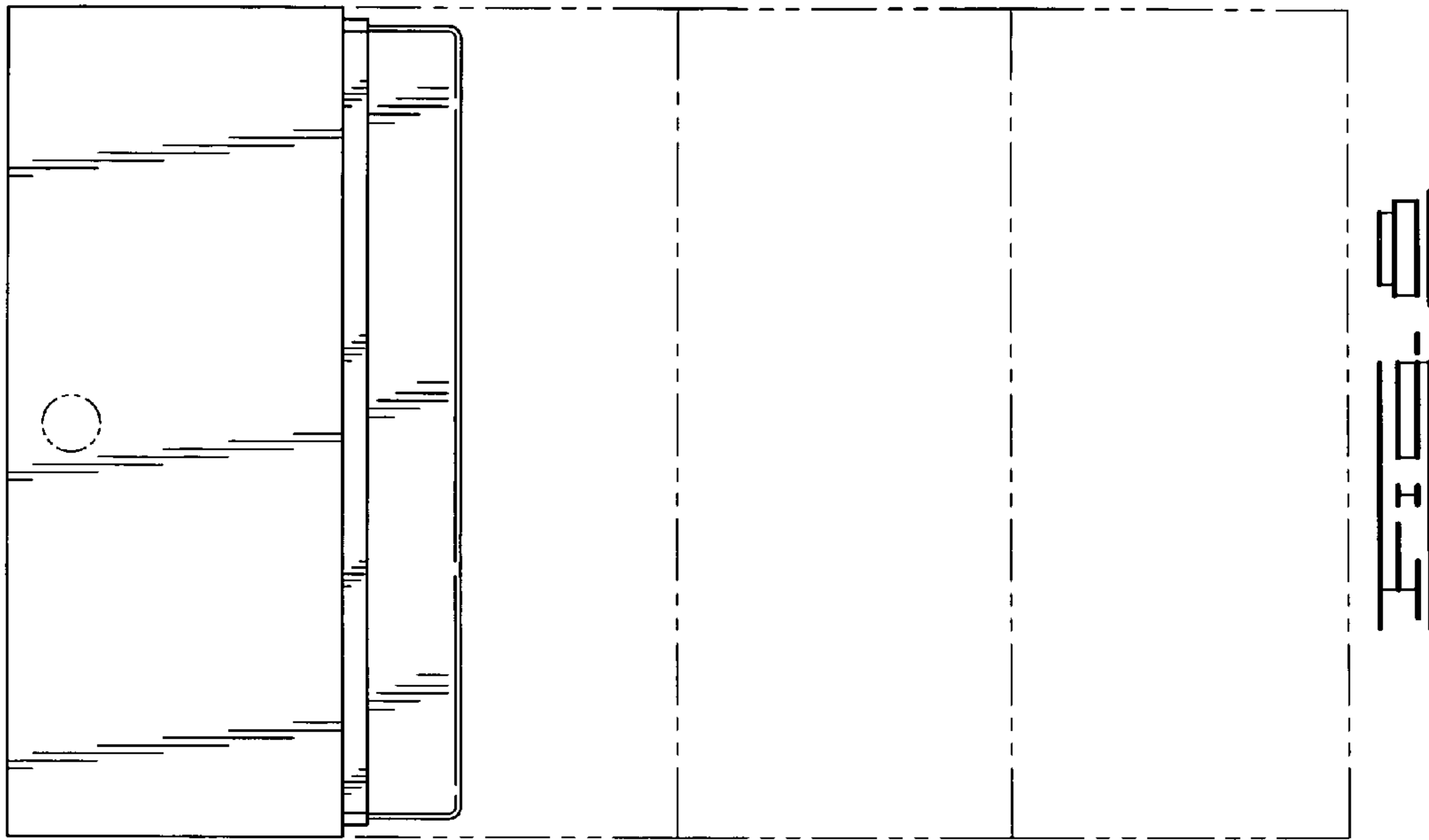


FIG. 5



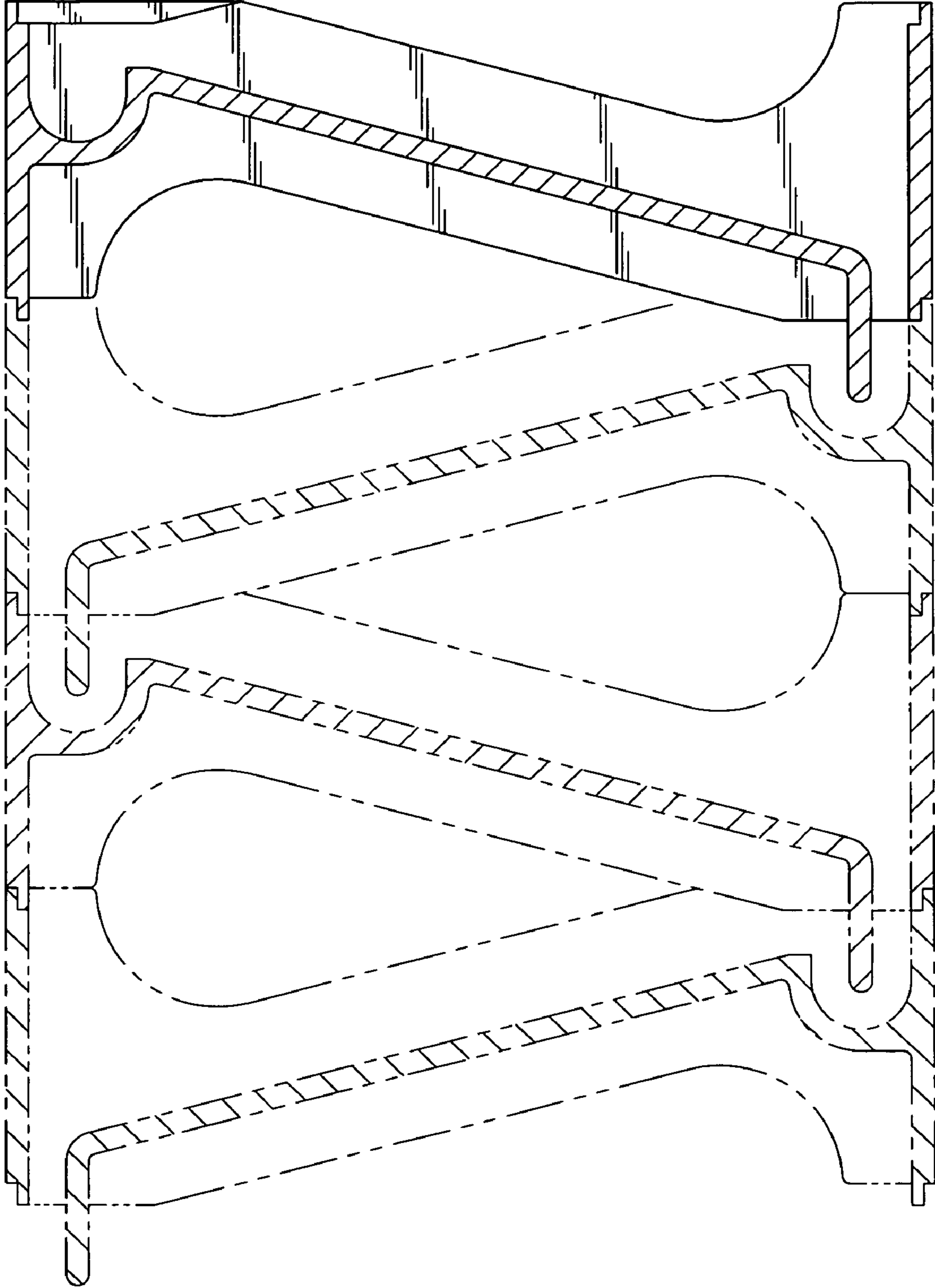


FIG. 3