

US00D658404S

(12) **United States Design Patent**  
**Justin, III**

(10) **Patent No.:** **US D658,404 S**

(45) **Date of Patent:** **\*\* May 1, 2012**

- (54) **SPORT SHIRT DISPLAY CASE**
- (76) **Inventor:** **Sydney Justin, III**, Scottsdale, AZ (US)
- (\*\*) **Term:** **14 Years**
- (21) **Appl. No.:** **29/408,053**
- (22) **Filed:** **Dec. 6, 2011**

6,450,595	B1 *	9/2002	Simon et al.	312/204
D537,638	S *	3/2007	Kamioka	D6/303
D584,552	S *	1/2009	Brinson et al.	D6/559
D587,463	S *	3/2009	Franco et al.	D6/300
D591,980	S *	5/2009	Brinson et al.	D6/450
7,757,418	B1 *	7/2010	Clark et al.	40/605
D625,125	S *	10/2010	Buckles et al.	D6/470
D626,431	S *	11/2010	Kim	D9/721
D633,307	S *	3/2011	Mangelsen	D6/300
D644,096	S *	8/2011	Yadegaran	D9/418

\* cited by examiner

**Related U.S. Application Data**

- (63) Continuation-in-part of application No. 29/315,717, filed on Jul. 20, 2009.

*Primary Examiner* — Kelley Donnelly

(74) *Attorney, Agent, or Firm* — Polsinellio Shughart, PC

- (51) **LOC (9) Cl.** ..... **06-06**
- (52) **U.S. Cl.** ..... **D6/470**
- (58) **Field of Classification Search** ..... D6/319–320,  
D6/326, 449, 466, 470–472, 552–553, 559;  
312/114, 117; 206/248, 278, 287, 292; 40/721,  
40/734

(57) **CLAIM**

The ornamental design for a sport shirt display case, as shown and described.

See application file for complete search history.

**DESCRIPTION**

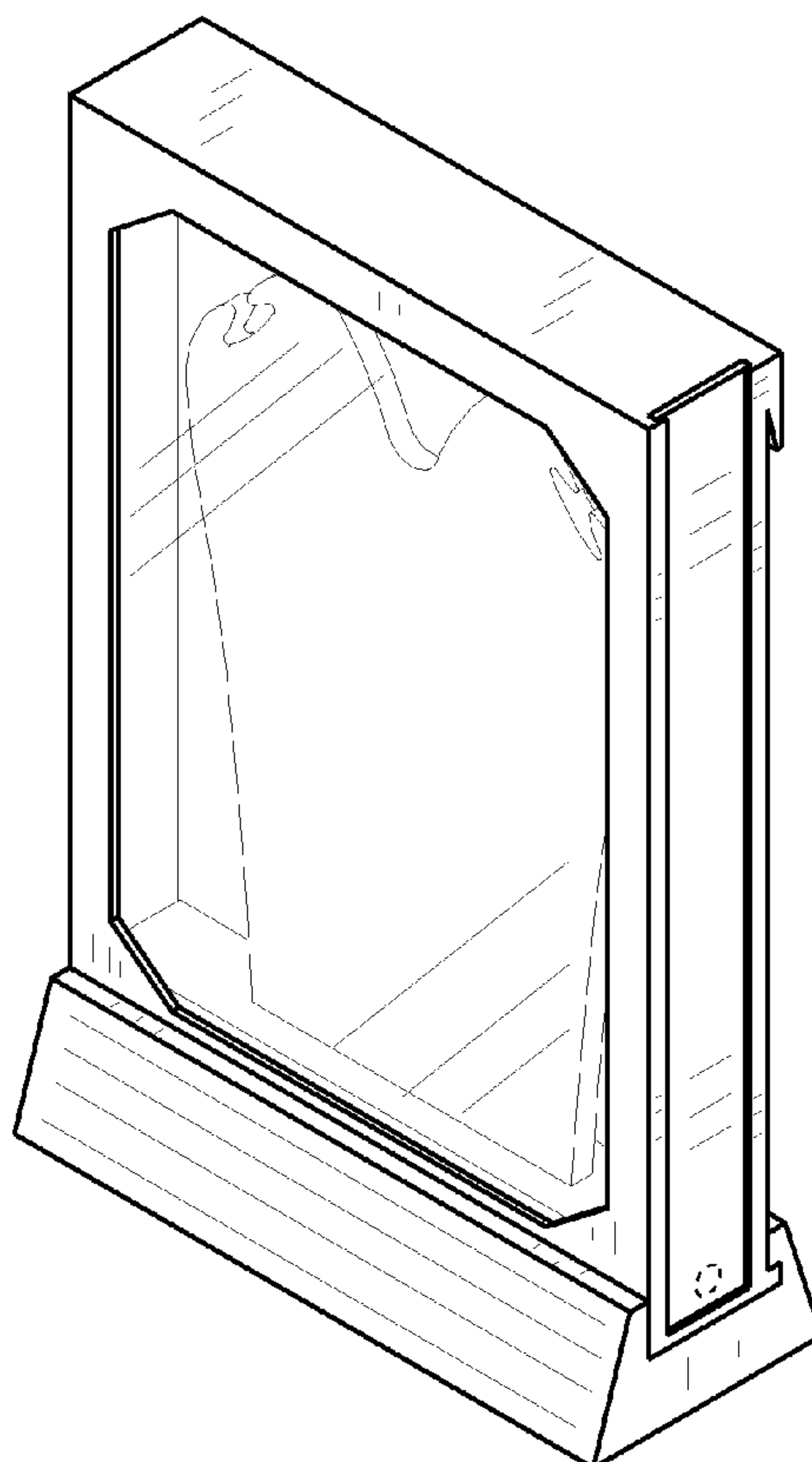
FIG. 1 is a perspective view of the sport shirt display case; FIG. 2 is an exploded perspective view of the sport shirt display case; FIG. 3 is a front view of the sport shirt display case; FIG. 4 is a rear view of the sport shirt display case; FIG. 5 is a left view of the sport shirt display case; FIG. 6 is a right side view of the sport shirt display case; FIG. 7 is a top view of the sport shirt display case; and, FIG. 8 is a bottom view of the sport shirt display case.

(56) **References Cited**

**U.S. PATENT DOCUMENTS**

3,066,792	A *	12/1962	Spilman et al.	206/299
3,205,600	A *	9/1965	Snyder	40/716
D261,479	S *	10/1981	Marks	D3/272
D282,988	S *	3/1986	Woolard	D6/471
4,662,513	A *	5/1987	King et al.	206/287.1
D327,997	S *	7/1992	Rubin	D6/471
D343,356	S *	1/1994	Wittman	D9/415
6,012,573	A *	1/2000	Kurimoto	206/278

**1 Claim, 3 Drawing Sheets**



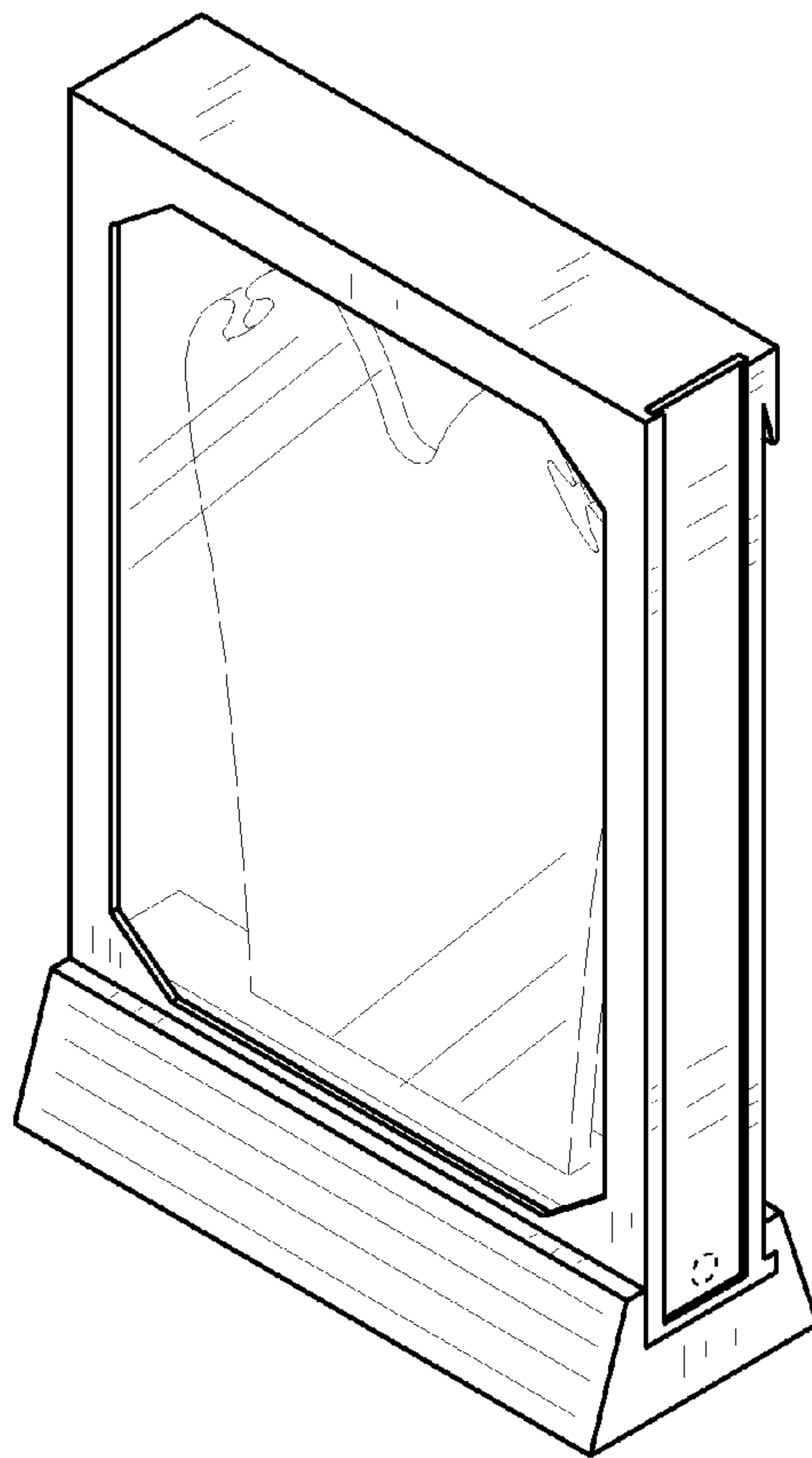


FIG. 1

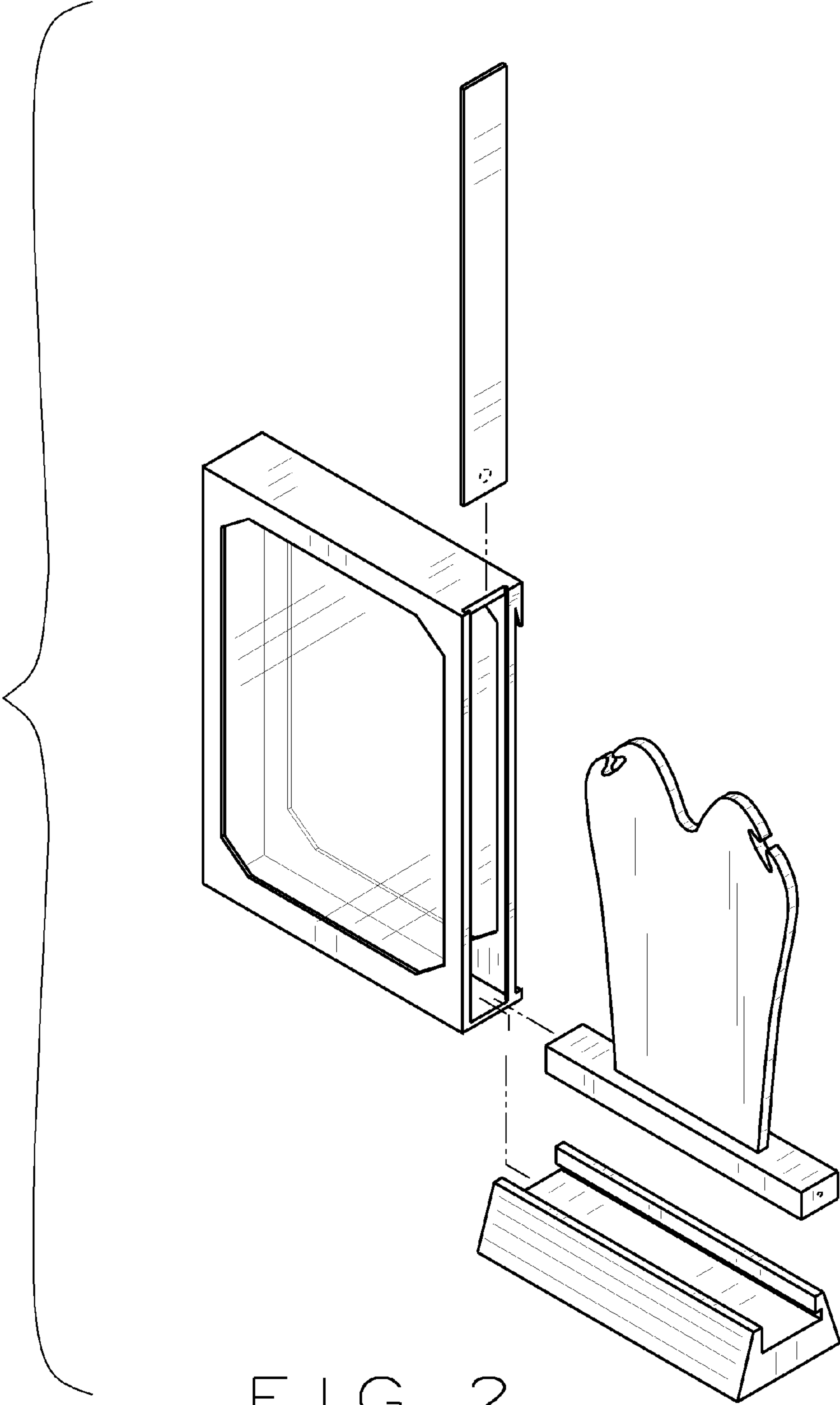


FIG. 2

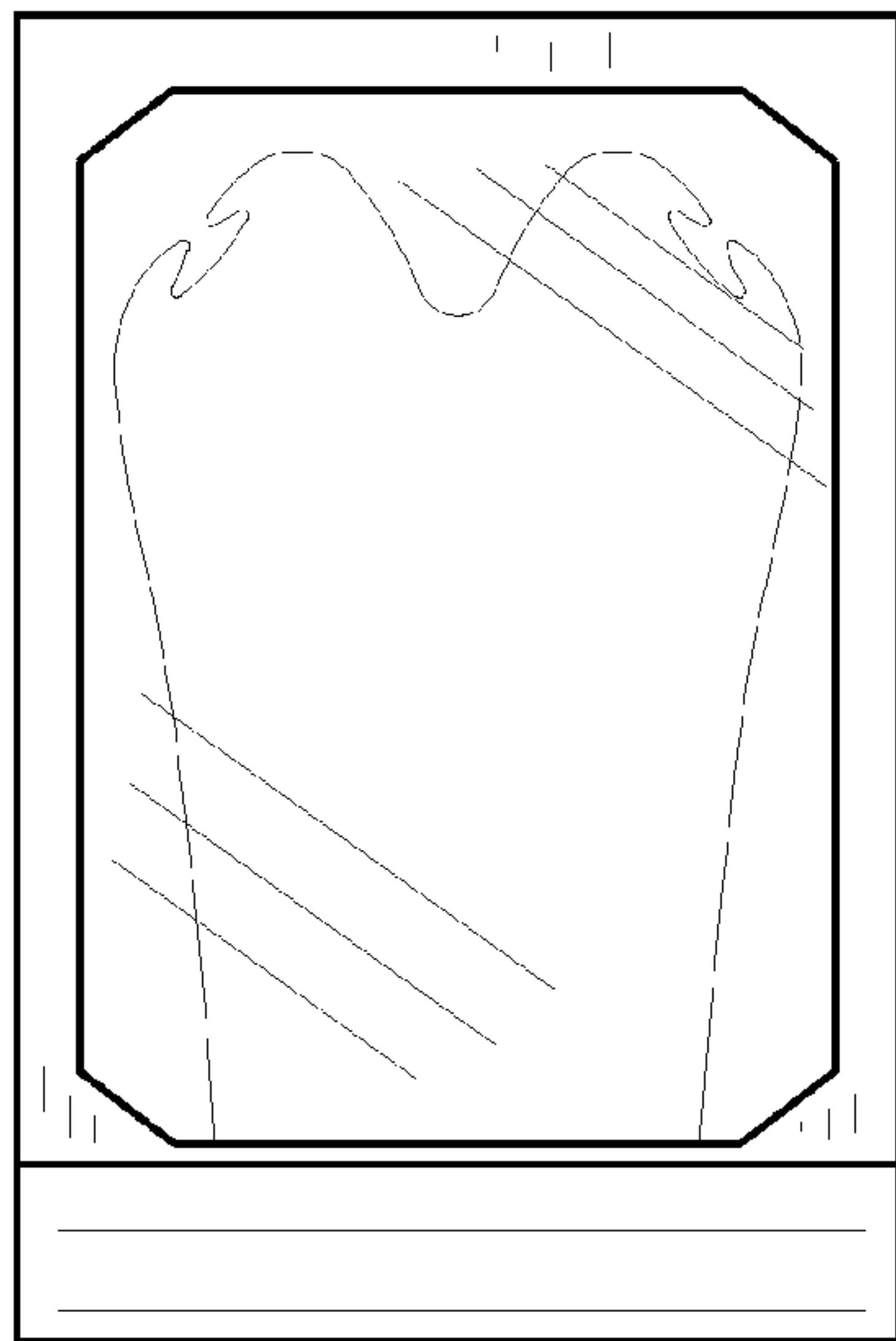


FIG. 3

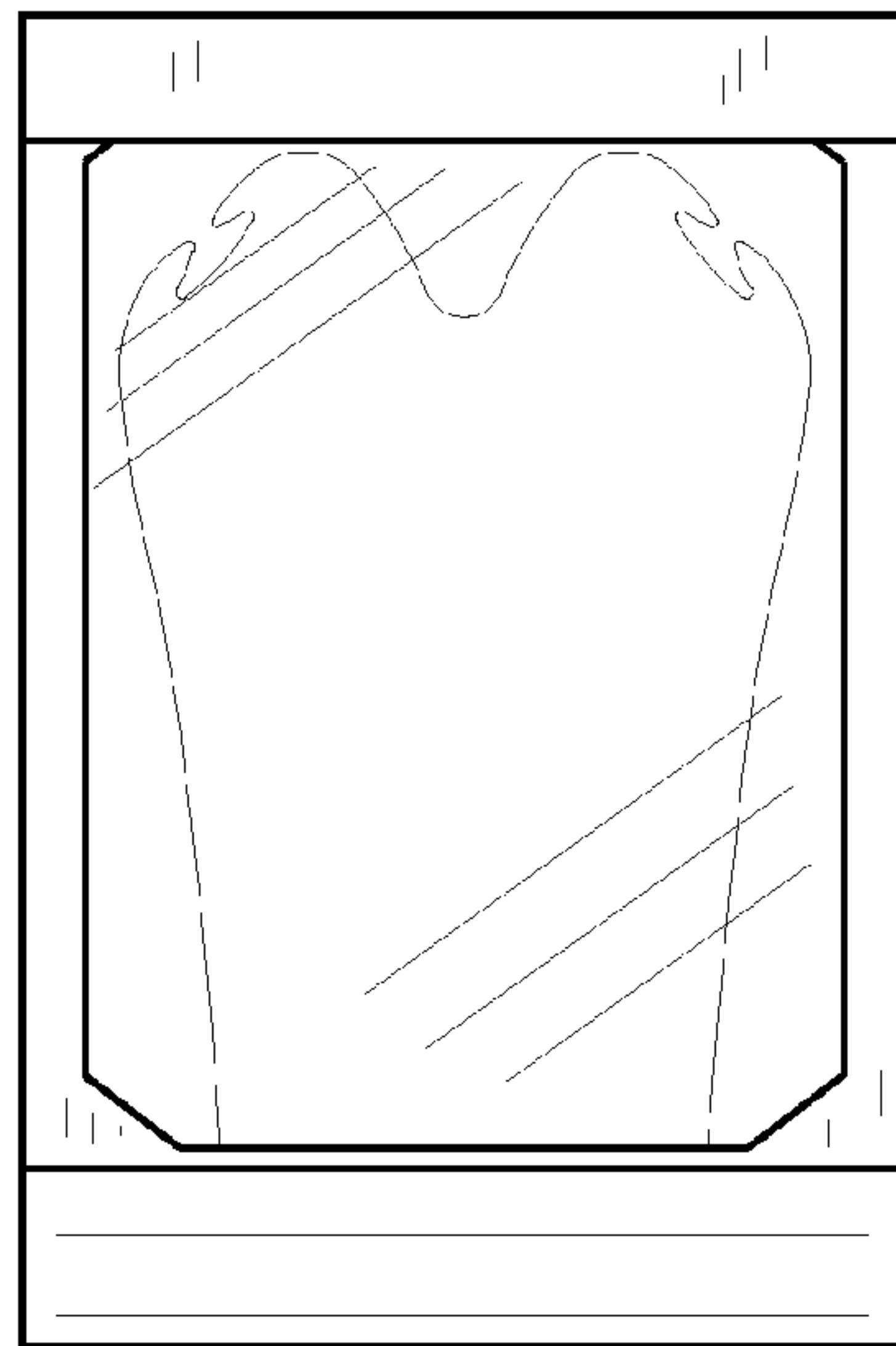


FIG. 4

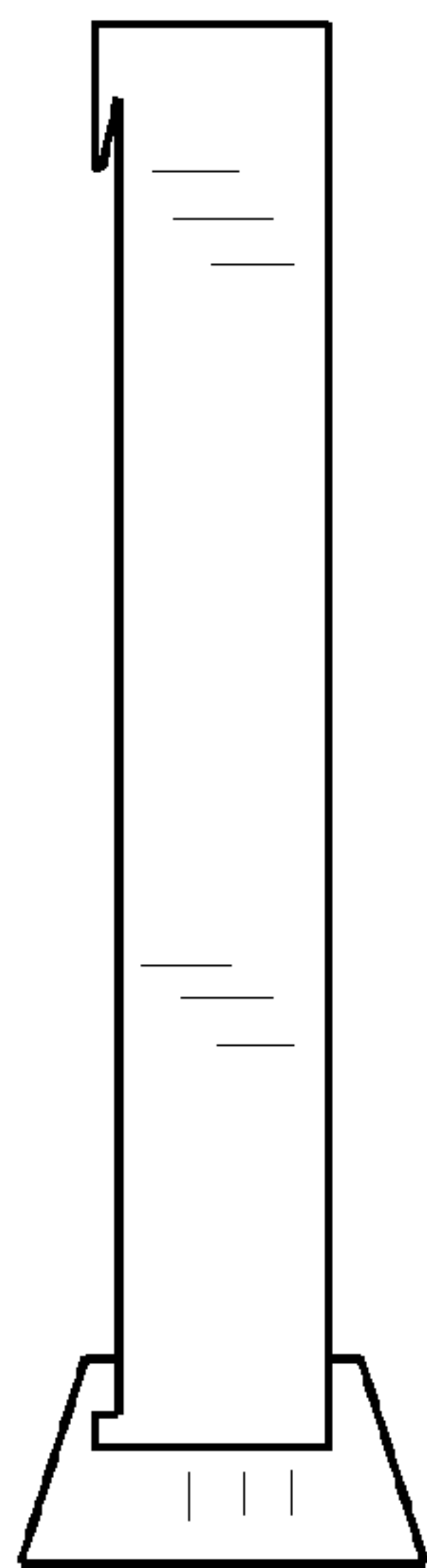


FIG. 5

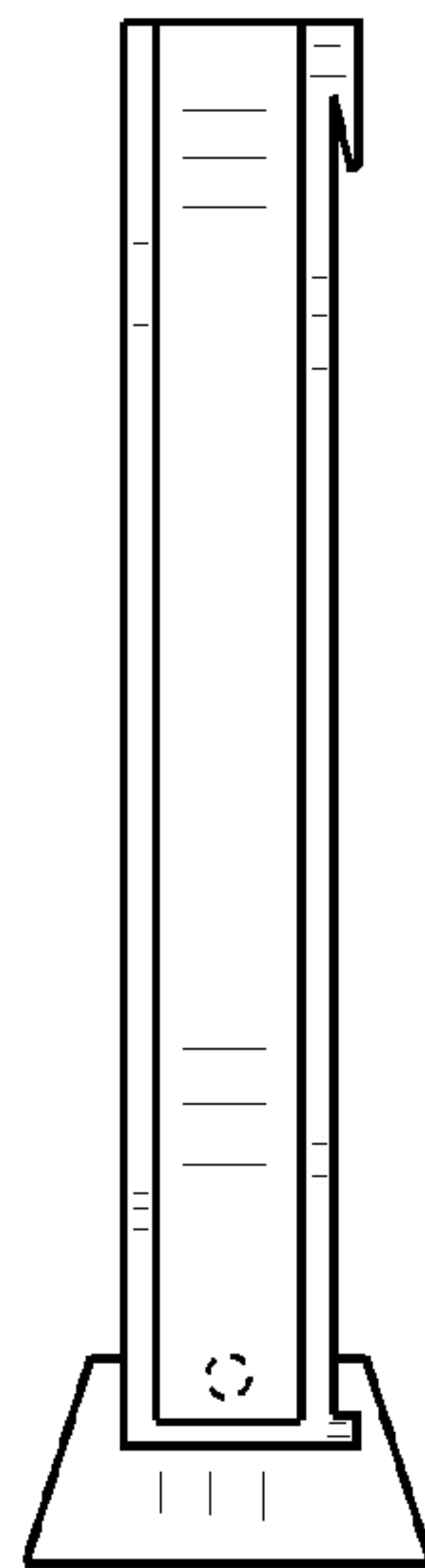


FIG. 6

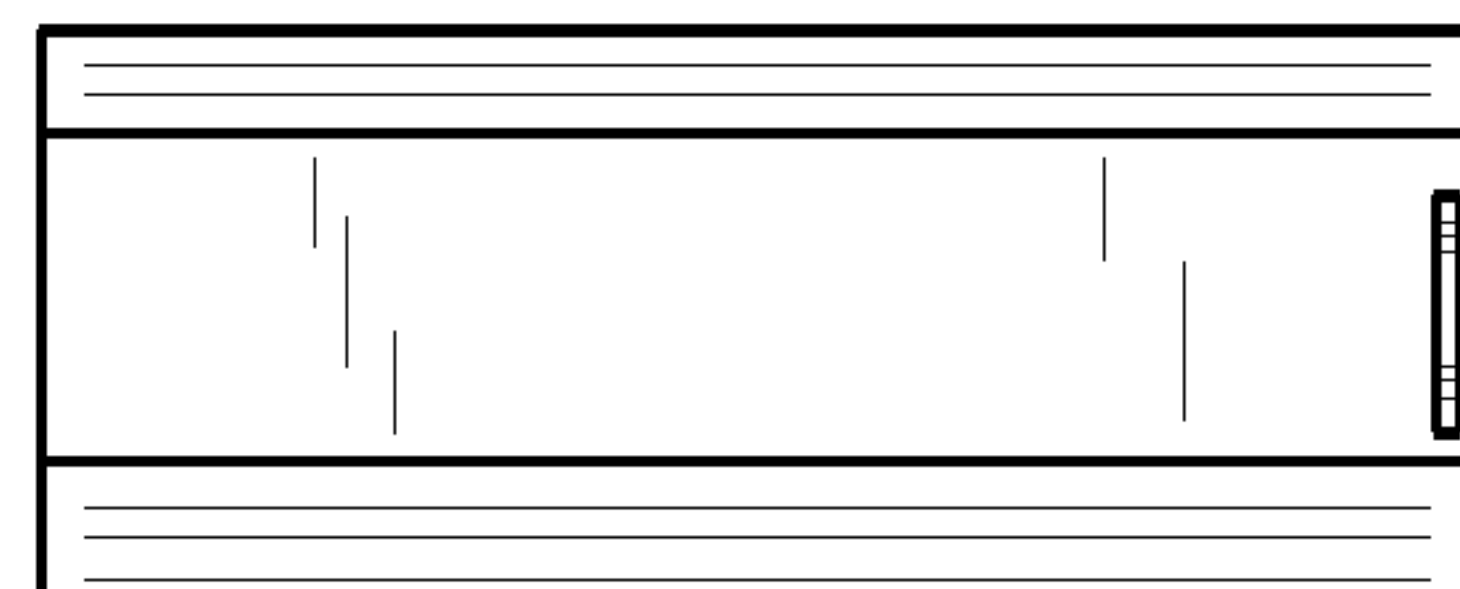


FIG. 7



FIG. 8