



US00D658403S

(12) **United States Design Patent**
Nakao

(10) **Patent No.:** **US D658,403 S**
(45) **Date of Patent:** **** May 1, 2012**

(54) **ELECTRONIC PERCUSSION INSTRUMENT STAND**

(75) Inventor: **Koichi Nakao**, Hamamatsu (JP)

(73) Assignee: **Roland Corporation**, Hamamatsu (JP)

(**) Term: **14 Years**

(21) Appl. No.: **29/391,026**

(22) Filed: **May 2, 2011**

(30) **Foreign Application Priority Data**

Nov. 16, 2010 (JP) 2010-027489

(51) **LOC (9) Cl.** **06-04**

(52) **U.S. Cl.** **D6/462**

(58) **Field of Classification Search** D6/396,
D6/397, 449, 450, 454-470; 211/1, 13.1,
211/85.6, 181.1, 182, 183; D12/115; D17/22,
D17/99; D20/10, 39, 41; D13/168; 40/521,
40/606.12; 84/421, 422.1, 746; 248/220.41
See application file for complete search history.

(56) **References Cited**

U.S. PATENT DOCUMENTS

2,258,560	A *	10/1941	Trunzer	40/606.12
D180,759	S *	8/1957	Allen	D17/22
4,841,830	A	6/1989	Yamashita		
D374,849	S *	10/1996	Chipman	D12/115
5,787,620	A *	8/1998	Swanson et al.	40/521
D465,352	S *	11/2002	Kim	D6/462
D538,066	S *	3/2007	Wagner	D6/467
D641,713	S *	7/2011	Petrillo	D13/168
2005/0167555	A1 *	8/2005	Wamsley	248/231.81

OTHER PUBLICATIONS

Pearl Bass Drum Pad BD-10.pdf photograph retrieved Oct. 8, 2010 from http://thumbnail.image.rakuten.co.jp/@0_mall/auc-grooves/cabinet/2009329/pearl_bd10_m.jpg.*

DD506 (Medeli), medeliDD506.pdf photograph retrieved Oct. 8, 2010 from <http://medeli.com.hk/DD/DD506-large.jpg>.
DM5 Pro Kit (Alesis), AL027_1.pdf photograph retrieved Oct. 8, 2010 from http://www.alesis.jp/products/dm5prokit/image/AL027_1.jpg.
DR-330(Tony Smith), TonySmith.pdf photograph retrieved Oct. 8, 2010 from http://thumbnail.image.rakuten.co.jp/@0_mall/gak-kiten/cabinet/ikou.20100210_004/img1041450181.jpg.
DWCPPADBDSS (DW Drums), dw_smpadbd_1.pdf photograph retrieved Oct. 8, 2010 from http://www.gatewaydrumline.com/shop/it/tp/img/dw_smpadbd_1.jpg.

(Continued)

Primary Examiner — Mary Ann Calabrese
(74) *Attorney, Agent, or Firm* — Foley & Lardner LLP

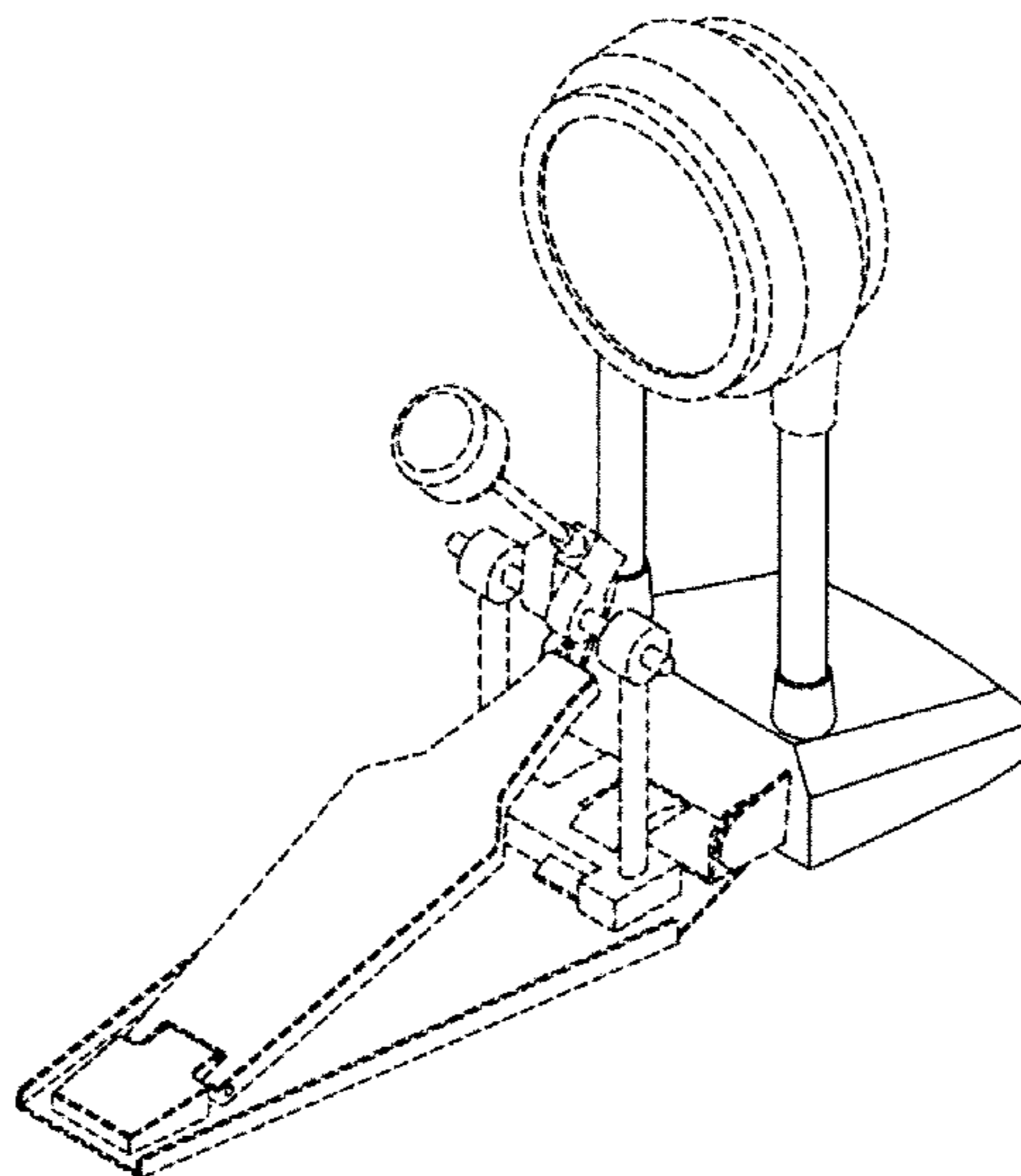
(57) **CLAIM**

I claim the ornamental design for an electronic percussion instrument stand, as shown and described.

DESCRIPTION

FIG. 1 is a front view of an electronic percussion instrument stand according to the claimed design;
FIG. 2 is a rear view of an electronic percussion instrument stand according to the claimed design;
FIG. 3 is a left side view of an electronic percussion instrument stand according to the claimed design;
FIG. 4 is a right side view of an electronic percussion instrument stand according to the claimed design;
FIG. 5 is a top view of an electronic percussion instrument stand according to the claimed design;
FIG. 6 is a bottom view of an electronic percussion instrument stand according to the claimed design; and,
FIG. 7 is a perspective view of an electronic percussion instrument stand according to the claimed design.
The ornamental design which is claimed is shown in solid lines in the drawings. The broken lines in the drawings are for illustrative purposes only and form no part of the claimed design.

1 Claim, 7 Drawing Sheets



OTHER PUBLICATIONS

DWCPPADBDSS (DW Drums), dw_smpadbd_2.pdf photograph retrieved Oct. 8, 2010 from http://thumbnail.image.rakuten.co.jp/@0_gold/shiramusic/DW/Practice/DWCPPADBDSS.jpg.

DWCPPADBDSS (DW Drums), dw_drums.pdf photograph retrieved Oct. 8, 2010 from http://thumbnail.image.rakuten.co.jp/@0_mall/key/cabinet/iteming05/img55460568.jpg.

Roland KD-g Kick Pad-Roland <http://www.rolandus.com/products/productdetails.php?ProductId=114g&PatentId=gg> pulled from the web on Dec. 20, 2011.

Roland Products, Electronic Drums KD-120.pdf photograph retrieved Oct. 8, 2010 from http://www.roland.co.jp/products/jp/KD-120/images/top_L.jpg.

Roland Products, Electronic Drums KD-140.pdf photograph retrieved Oct. 8, 2010 from http://www.roland.co.jp/products/jp/KD-140/images/top_L.jpg.

Roland Products, Electronic Drums KD-8.pdf photograph retrieved Oct. 8, 2010 from http://www.roland.co.jp/products/jp/KD-8/images/top_L.jpg.

Roland Products, Electronic Drums KD-85.pdf photograph retrieved Oct. 8, 2010 from http://www.roland.co.jp/products/jp/KD-85/images/top_L.jpg.

TD502 (Chamberlain Music), ChamberlainMusic.pdf photograph retrieved Oct. 8, 2010 from <http://chamberlainmusic.com/images/products1/TD502.png>.

TD-5CST (MAXTONE), MaxTone.pdf photograph retrieved Oct. 8, 2010 from http://thumbnail.image.rakuten.co.jp/@0_mall/gak-kiwatanabe/cabinet/ikou_20100312/img1041872159.

TDR6(FUKUYAMA Musical Instrument Center), tdr6.pdf photograph retrieved Oct. 8, 2010 from <http://www.merry-net.com/Im/drums/trainingdr/img/tdr6-2.jpg>.

Thomman, thomannHQ photograph retrieved Oct. 8, 2010 from http://images1.thomann.de/pics/bdb/22046g/1107486_800.jpg.

TPP-35 (Tony Smith), TonySmith_tpp-35.pdf photograph retrieved Oct. 8, 2010 from http://thumbnail.image.rakuten.co.jp/@0_mall/merry-net/cabinet/rhythm/tpp-35.jpg.

Yamaha, KP-65-1.pdf photograph retrieved Oct. 8, 2010 from <http://jp.yamaha.com/products/musical-instruments/drums/el-drums/kick-pads/kp65/?mode=model>.

Yamaha, TsD1B.pdf photograph retrieved Oct. 8, 2010 from <http://jp.yamaha.com/products/musical-instruments/drums/trainingpads/ts01b/?mode=enlarge&keepThis=true&>.

Yamaha, KP-125-1.pdf photograph retrieved Oct. 8, 2010 from <http://jp.yamaha.com/products/musical-instruments/drums/el-drums/kick-pads/kp125w/?mode=enlarge&keepThis=true>.

Yamaha, KP-125-21.pdf photograph retrieved Oct. 8, 2010 from <http://jp.yamaha.com/products/musical-instruments/drums/el-drums/kick-pads/kp125w/?mode=enlarge&keepThis=true>.

Yamaha, KP-65-2.pdf photograph retrieved Oct. 8, 2010 from <http://jp.yamaha.com/products/musical-instruments/drums/el-drums/kick-pads/kp65/?mode=model>.

Yamaha, KP-65-3.pdf photograph retrieved Oct. 8, 2010 from <http://jp.yamaha.com/products/musical-instruments/drums/el-drums/kick-pads/kp65/?mode=model>.

* cited by examiner

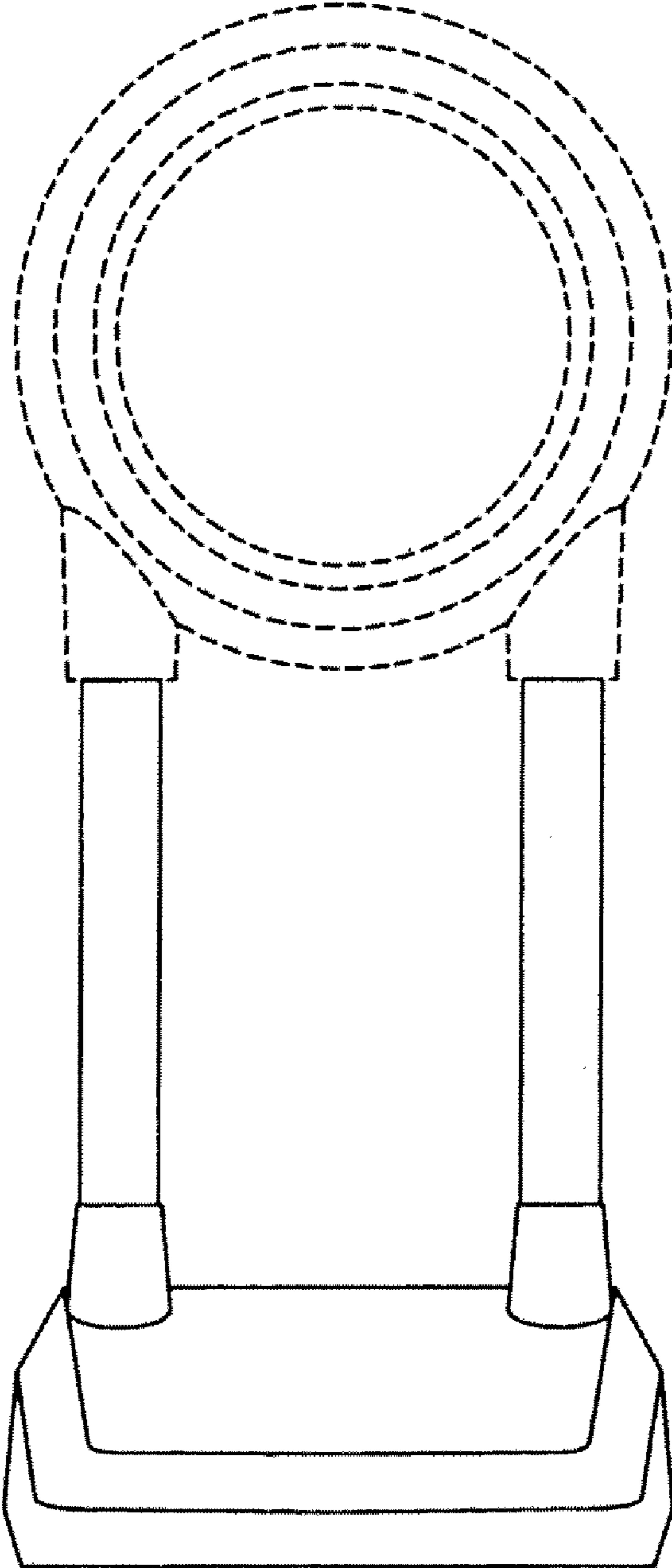


FIG. 1

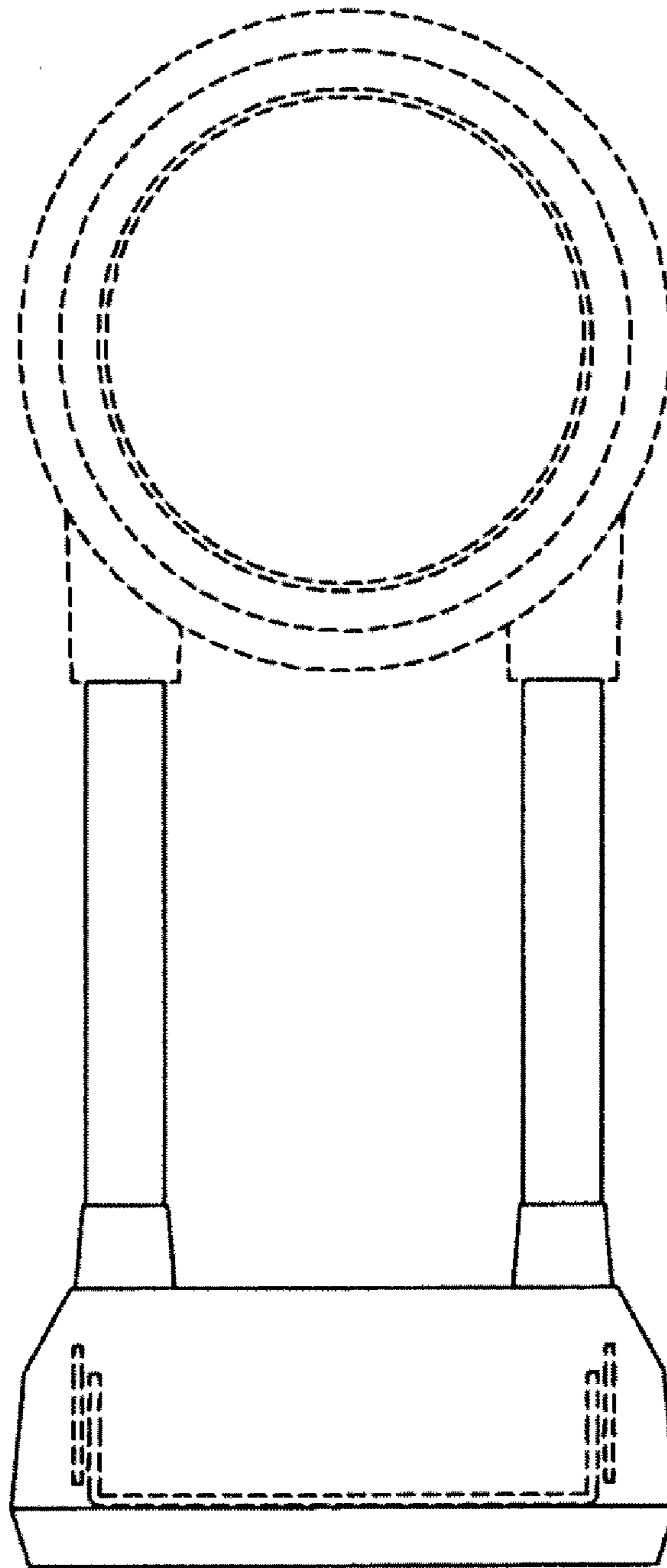


FIG. 2

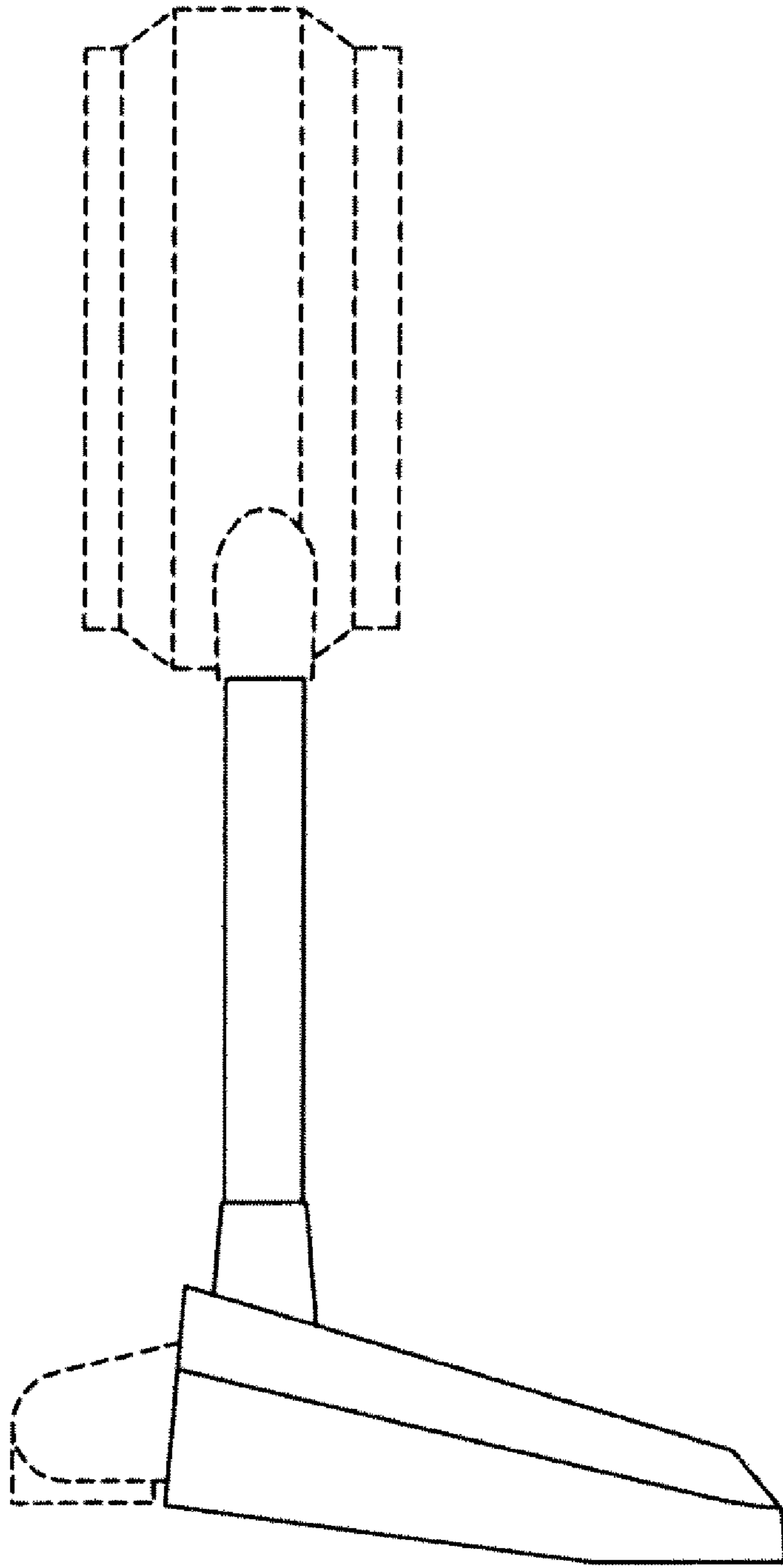


FIG. 3

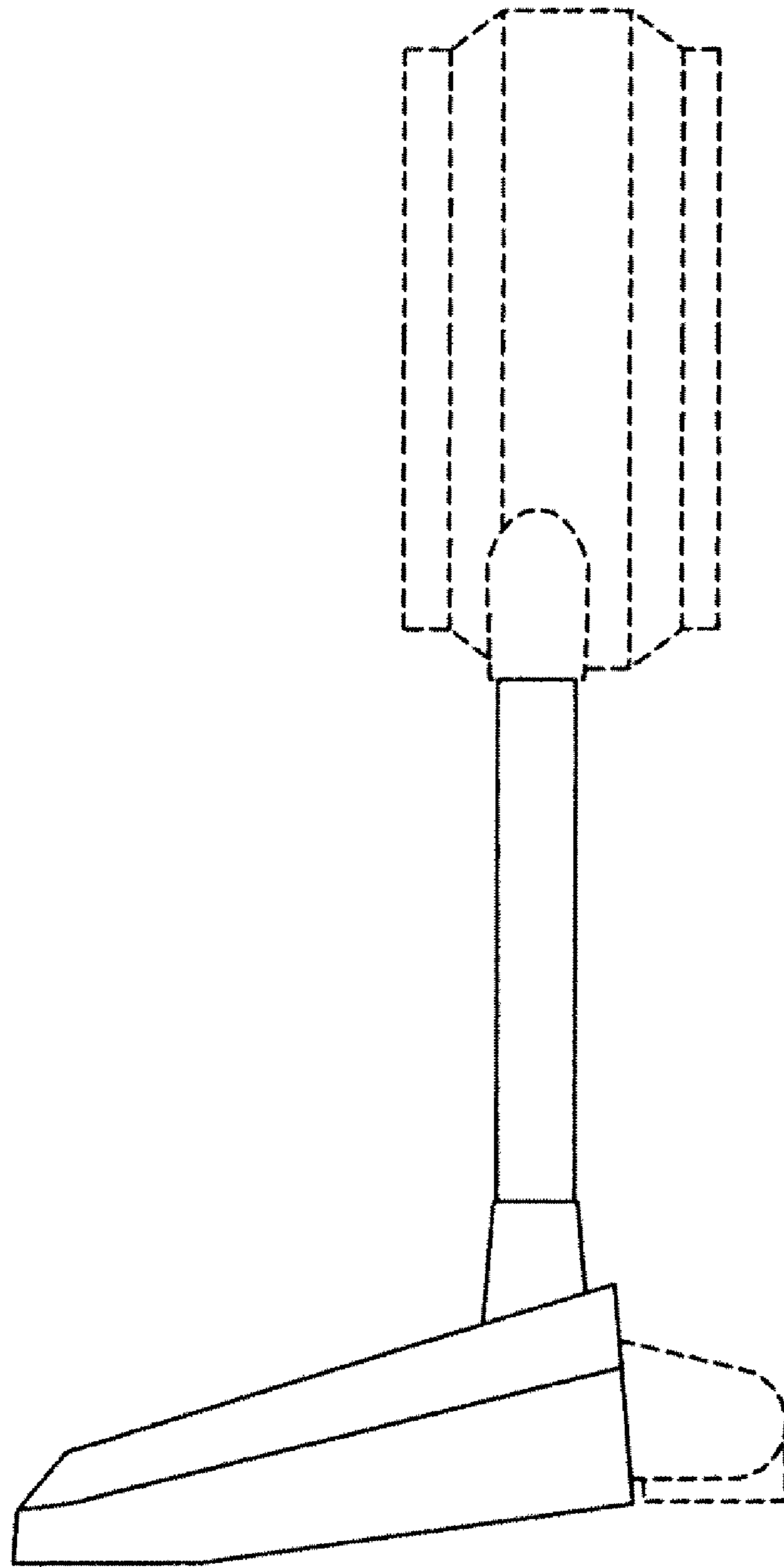


FIG. 4

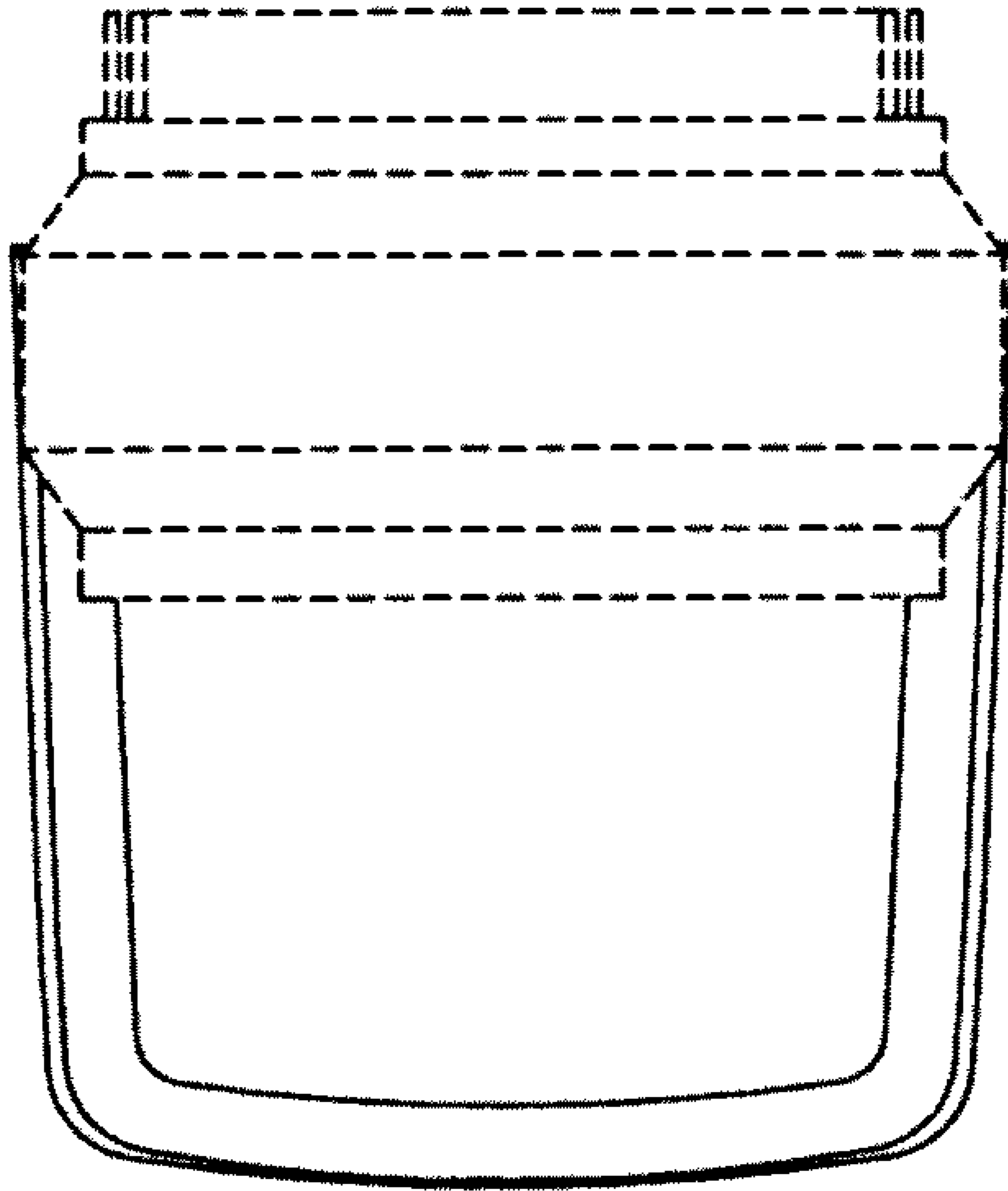


FIG. 5

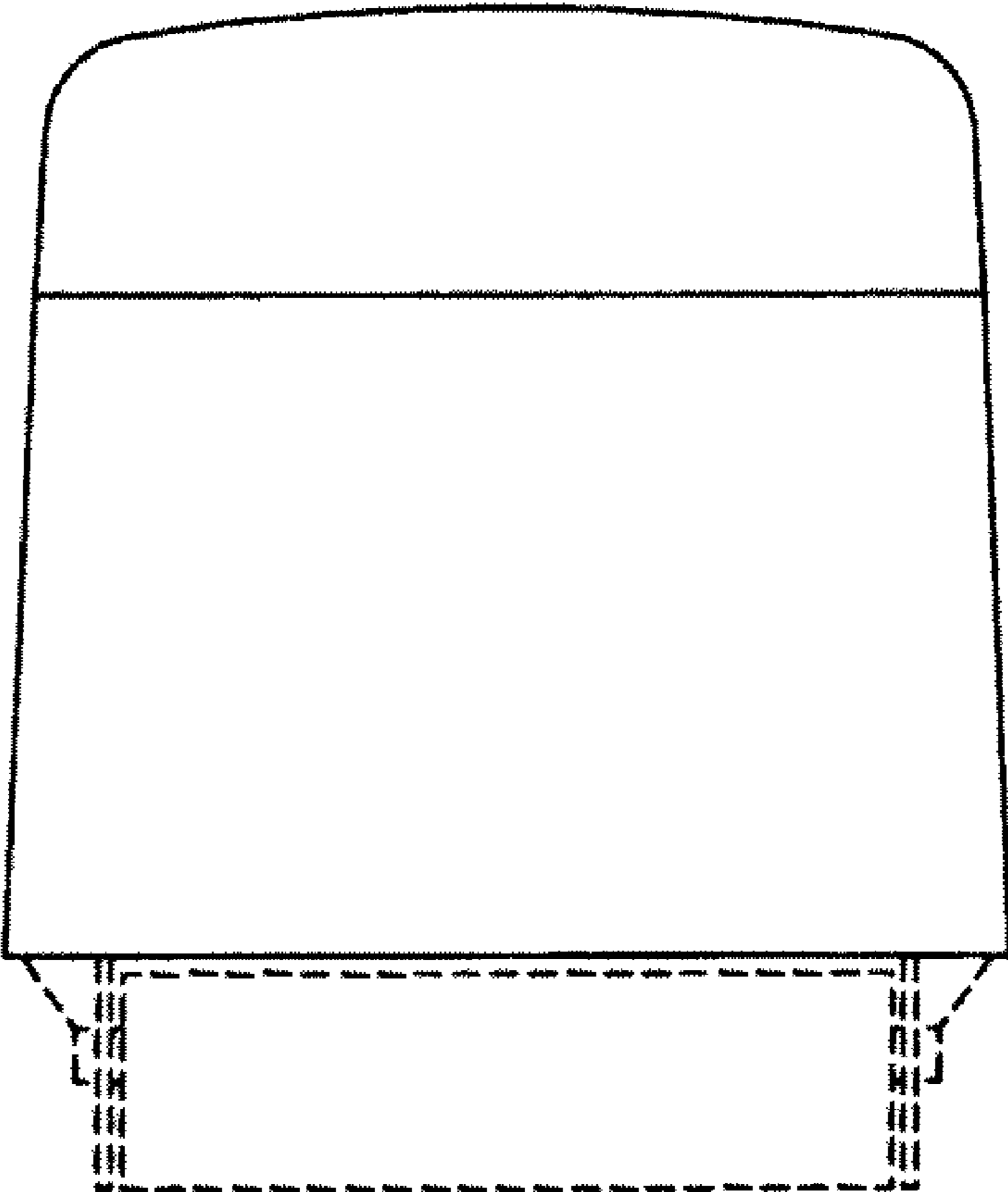


FIG. 6

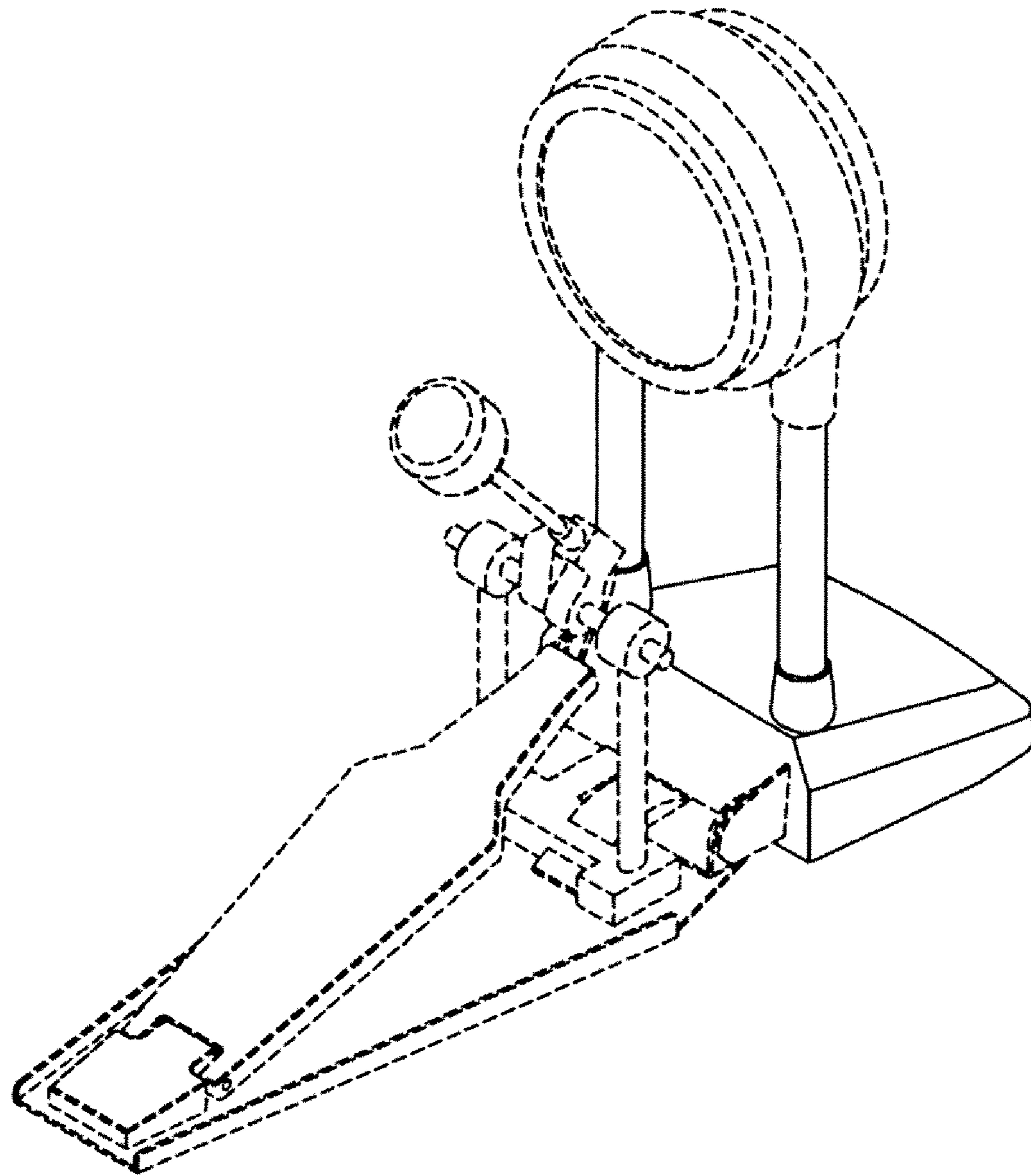


FIG. 7