



US00D658399S

(12) **United States Design Patent**  
**Webb**

(10) **Patent No.:** **US D658,399 S**

(45) **Date of Patent:** **\*\* May 1, 2012**

(54) **CHAIR**

(76) Inventor: **Alan Webb**, York, SC (US)

(\*\*) Term: **14 Years**

(21) Appl. No.: **29/406,889**

(22) Filed: **Nov. 21, 2011**

**Related U.S. Application Data**

(63) Continuation-in-part of application No. 29/375,272, filed on Sep. 20, 2010, now Pat. No. Des. 650,195.

(51) **LOC (9) Cl.** ..... **06-01**

(52) **U.S. Cl.** ..... **D6/374**

(58) **Field of Classification Search** ..... D6/334–336,  
D6/360–380, 498, 500–502, 601; 297/31,  
297/35, 284.4–284.5, 291, 297, 411.2, 411.27–411.29,  
297/440.13, 452.13, 452.19, 452.21, 452.29,  
297/452.3, 452.56, 452.64  
See application file for complete search history.

4,635,998	A *	1/1987	Hickey	.....	297/31
4,712,837	A *	12/1987	Swilley	.....	297/440.13
D295,927	S *	5/1988	Hickey	.....	D6/370
4,976,492	A *	12/1990	Ziegler	.....	297/31
D319,354	S *	8/1991	Wolcott	.....	D6/370
D350,860	S *	9/1994	Greeson	.....	D6/370
D401,633	S *	11/1998	Balough		
5,911,469	A *	6/1999	Young	.....	297/31
6,619,749	B2 *	9/2003	Willy	.....	297/440.13
D493,971	S *	8/2004	Willy	.....	6/368
D509,970	S *	9/2005	Adams	.....	D6/368
D514,340	S *	2/2006	Frey	.....	D6/368
7,219,962	B2 *	5/2007	Stone	.....	297/440.13
D570,127	S *	6/2008	Spink	.....	D6/370
D646,071	S *	10/2011	Bogdan et al.	.....	D6/370
D650,195	S *	12/2011	Webb	.....	D6/374
2003/0107255	A1 *	6/2003	Willy	.....	297/440.13
2004/0056526	A1 *	3/2004	Willy	.....	297/440.13

\* cited by examiner

*Primary Examiner* — Ricky Pham

(74) *Attorney, Agent, or Firm* — Clifford Kraft

(57) **CLAIM**

The ornamental design for a chair, as shown and described.

(56) **References Cited**

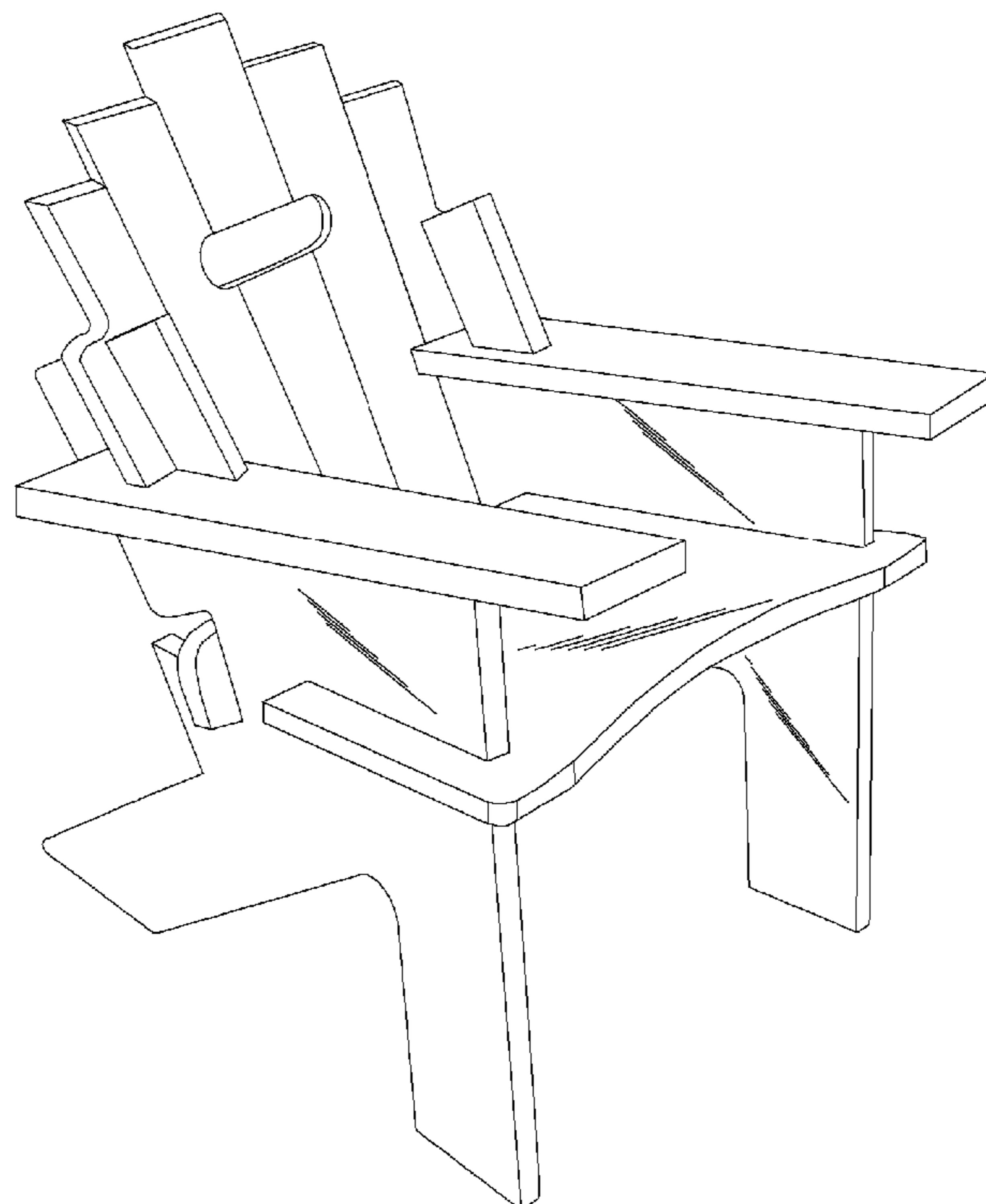
**U.S. PATENT DOCUMENTS**

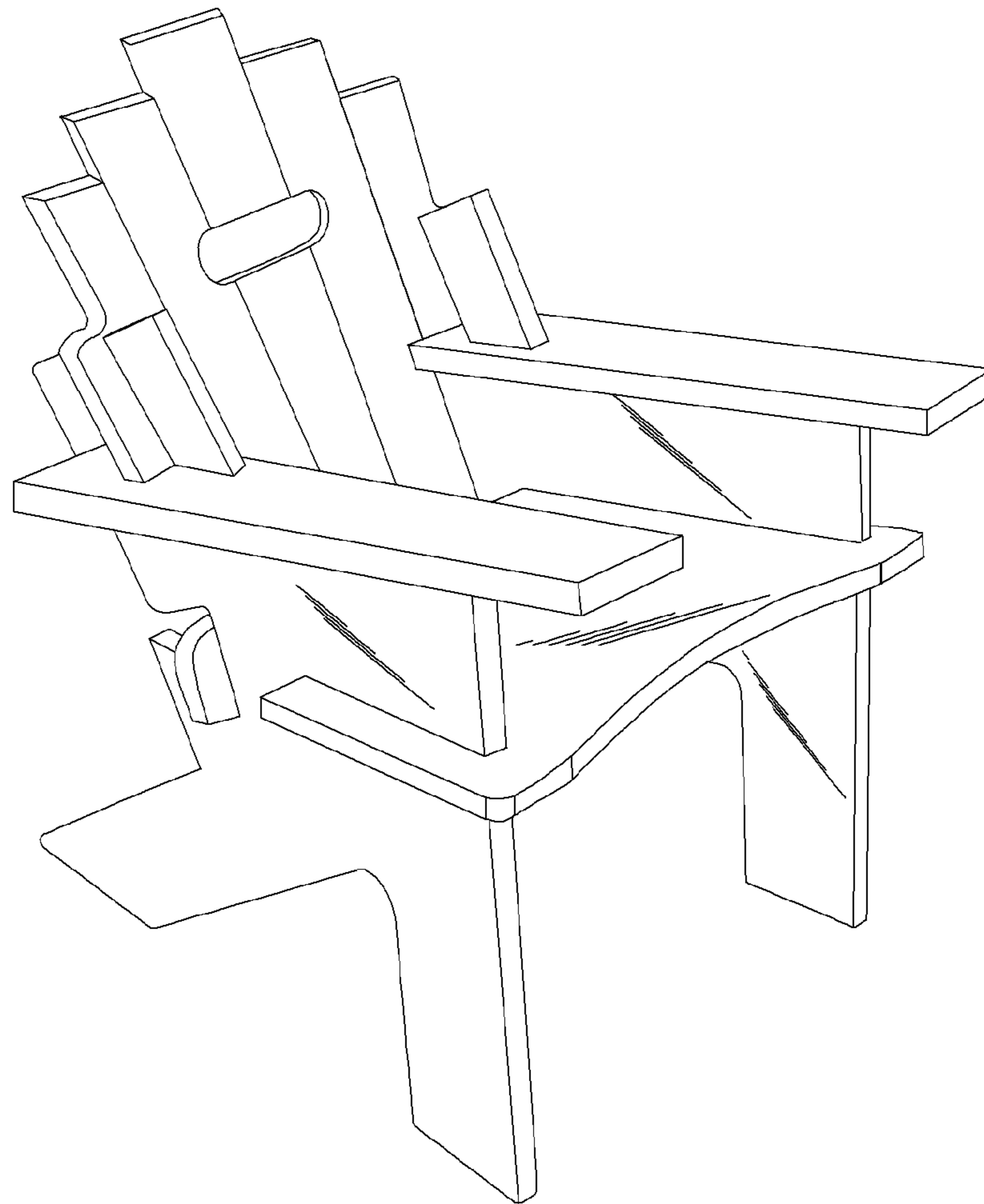
608,001	A *	7/1898	Manning	.....	273/160
D68,027	S *	8/1925	Wurdack	.....	D6/370
D84,585	S *	7/1931	Ledder et al.	.....	D6/370
D109,239	S *	4/1938	Wolpin	.....	D6/370
2,192,672	A *	3/1940	Connor, Jr.	.....	297/35
2,385,072	A *	9/1945	Gray	.....	297/31
D144,730	S *	5/1946	Perrault	.....	D6/374
2,490,884	A *	12/1949	Rau	.....	297/440.15
2,600,626	A *	6/1952	Ellingson	.....	297/31

**DESCRIPTION**

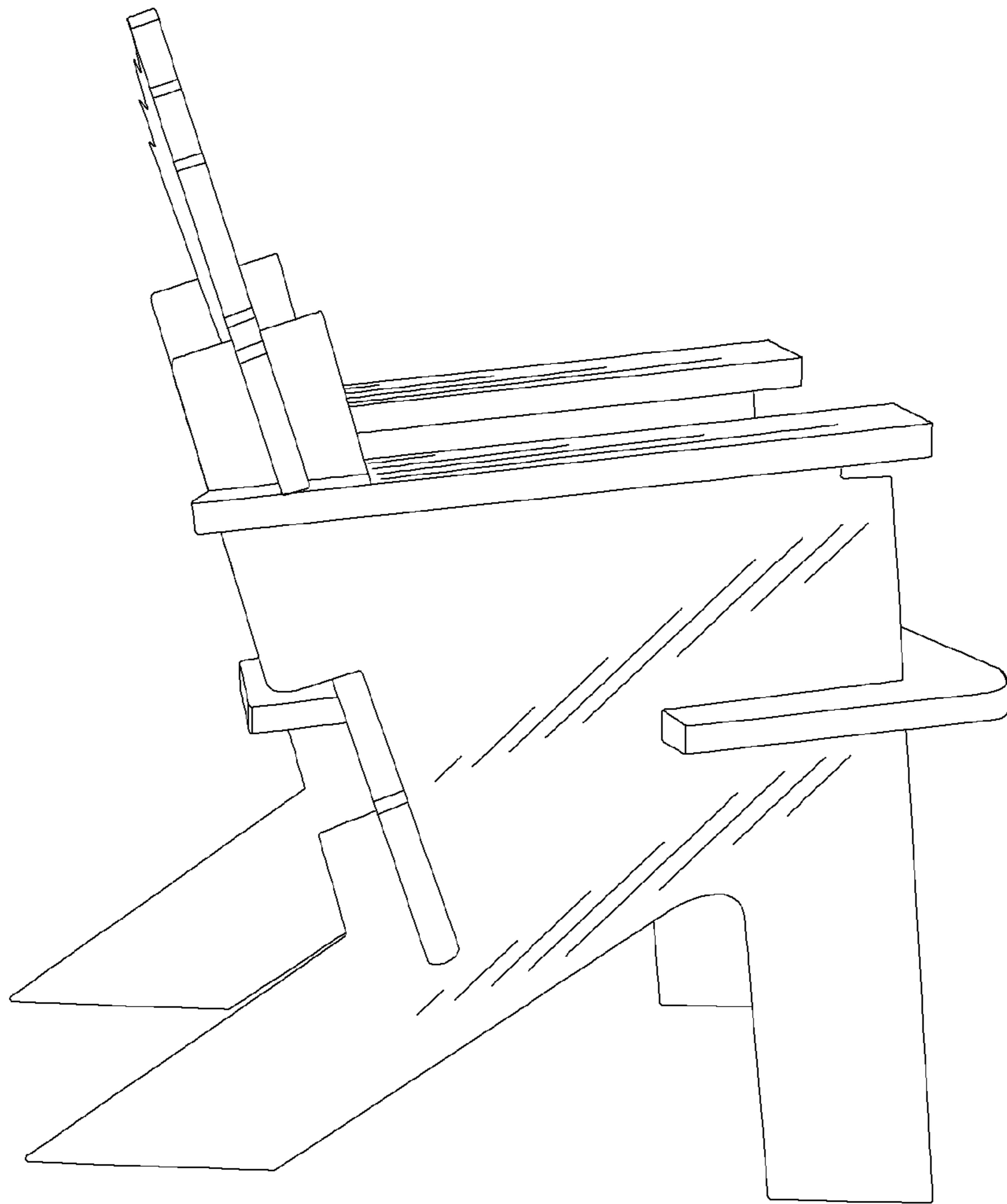
FIG. 1 is a perspective view of the chair.  
FIG. 2 is a right side perspective view thereof.  
FIG. 3 is a front perspective view thereof.  
FIG. 4 is a back perspective view thereof.  
FIG. 5 is a top perspective view thereof; and,  
FIG. 6 is bottom perspective view thereof.  
The left and right side views are symmetric.

**1 Claim, 4 Drawing Sheets**



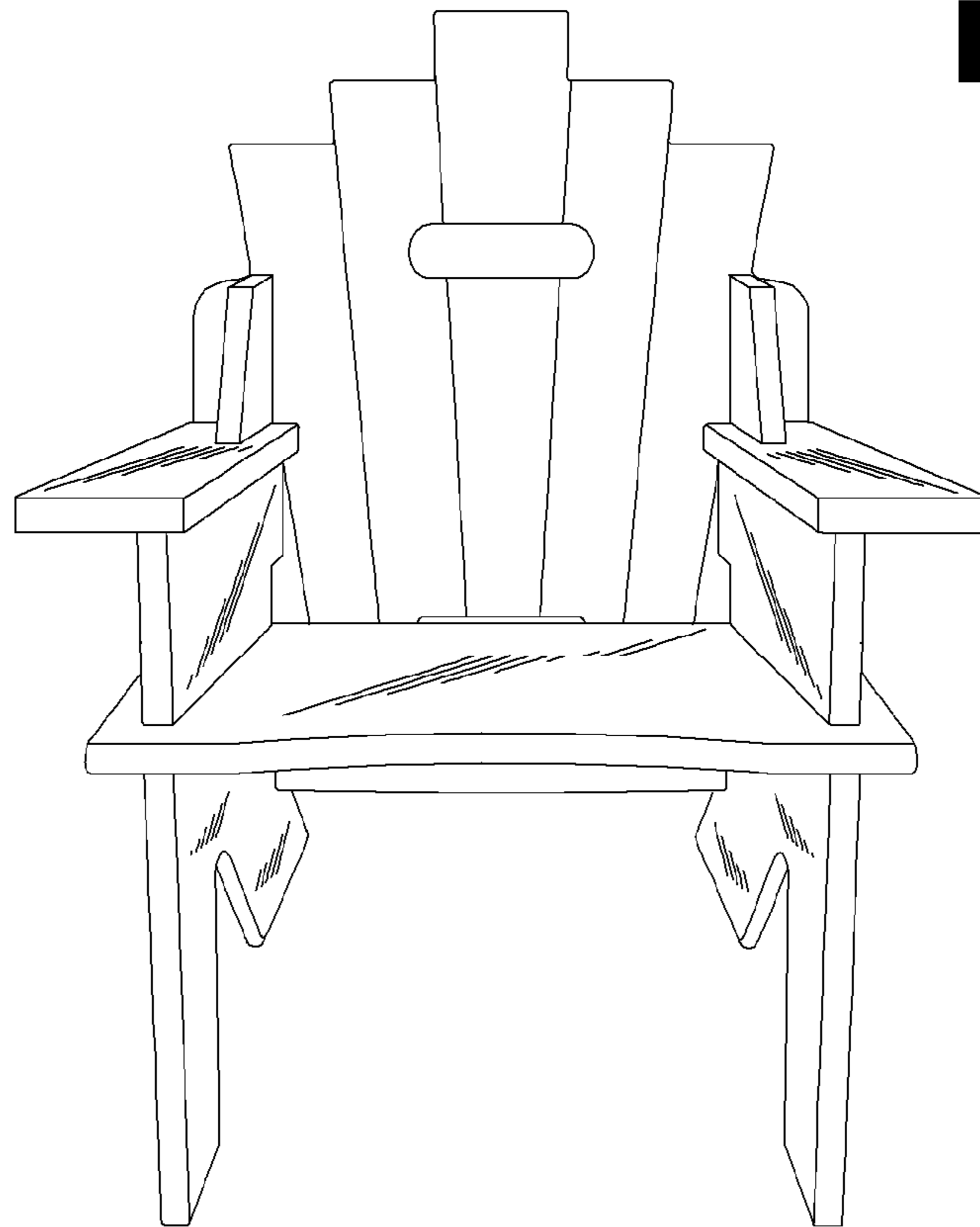


**FIG. 1**

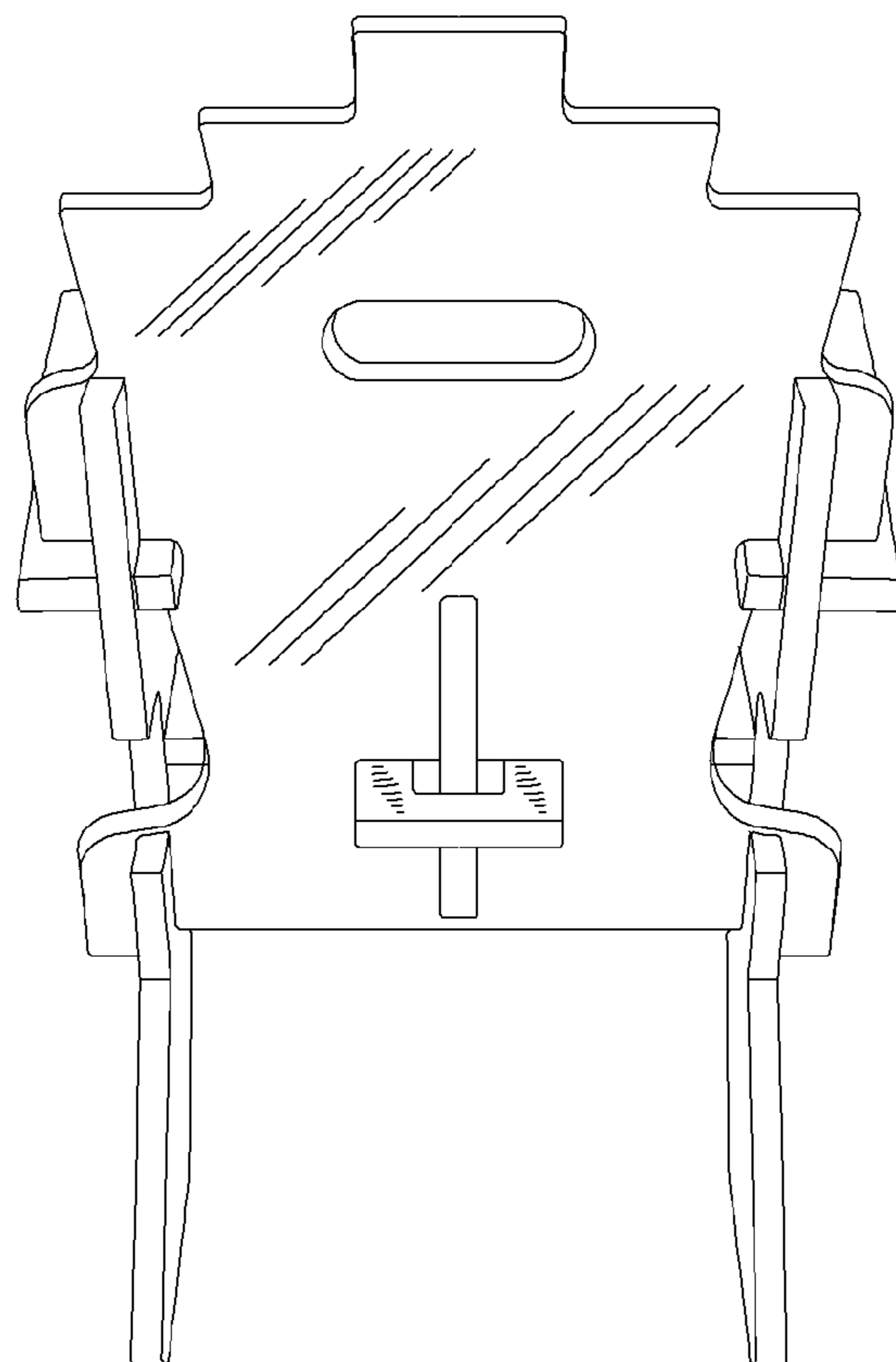


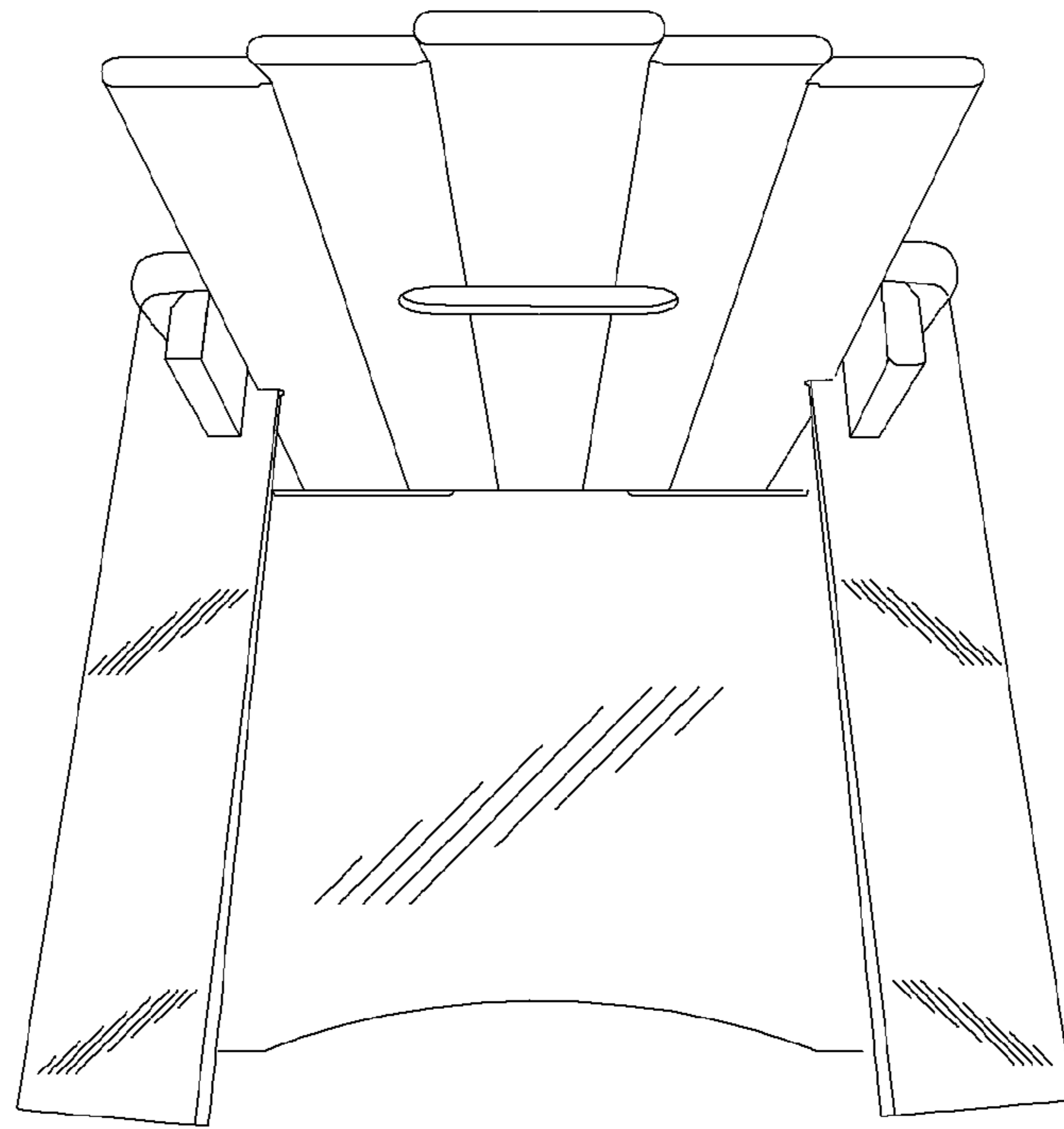
**FIG. 2**

**FIG. 3**

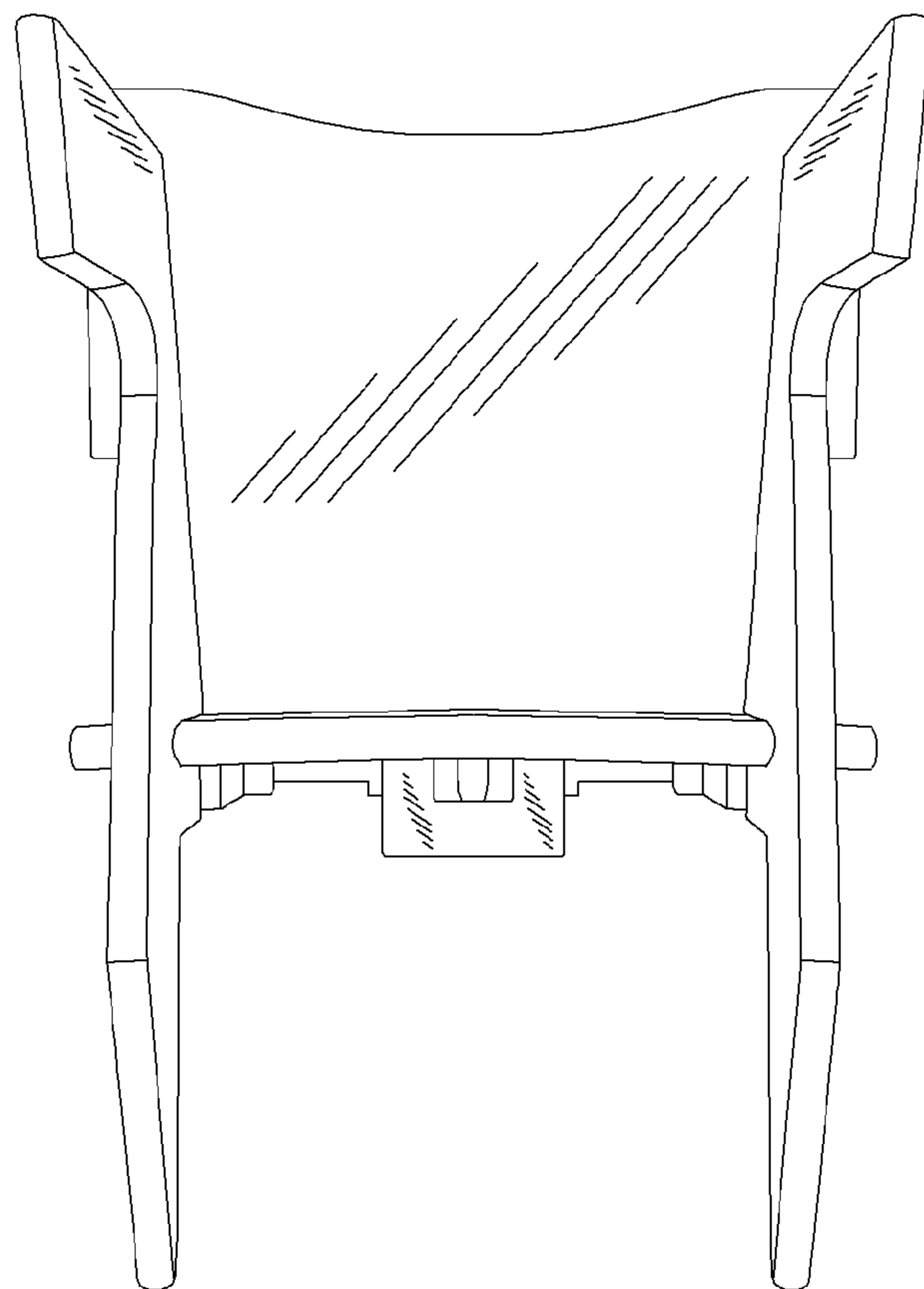


**FIG. 4**





**FIG. 5**



**FIG. 6**