



US00D658398S

(12) **United States Design Patent**
High

(10) **Patent No.:** **US D658,398 S**

(45) **Date of Patent:** **** May 1, 2012**

(54) **CHAIR**

(75) Inventor: **Bruce High**, Lancashire (GB)

(73) Assignee: **Senator International Limited**,
Lancashire (GB)

(**) Term: **14 Years**

(21) Appl. No.: **29/358,541**

(22) Filed: **Mar. 29, 2010**

(30) **Foreign Application Priority Data**

Sep. 29, 2009 (EM) 01168264

(51) **LOC (9) Cl.** **06-06**

(52) **U.S. Cl.** **D6/373**

(58) **Field of Classification Search** D6/334-336,
D6/369, 371-376, 379-380, 500-502; 297/445.1,
297/447.1, 447.3-447.4, 448.1-448.2, 452.3,
297/452.11, 452.21, 452.42

See application file for complete search history.

(56) **References Cited**

U.S. PATENT DOCUMENTS

4,648,653	A *	3/1987	Rowland	297/239
D314,285	S *	2/1991	Favaretto	D6/373
D346,073	S *	4/1994	Hamelink	D6/373
D374,129	S *	10/1996	Timmons	D6/373
D378,553	S *	3/1997	Newhouse	D6/373
D422,424	S *	4/2000	Gehry et al.	D6/375
D446,036	S *	8/2001	Zemp	D6/372
6,634,717	B2 *	10/2003	Kown	297/446.2
D505,278	S *	5/2005	Ambasz	D6/373

D557,515	S *	12/2007	Breen	D6/376
D564,264	S *	3/2008	Smith et al.	D6/500
D566,412	S *	4/2008	de Brabandere et al.	D6/375
D592,876	S *	5/2009	Smith et al.	D6/380
D600,035	S *	9/2009	Olano Jauregui	D6/375
D605,867	S *	12/2009	Lu	D6/368
D618,004	S *	6/2010	DeSanta et al.	D6/366
D620,273	S *	7/2010	Brooks	D6/373
D637,838	S *	5/2011	Piretti	D6/500
D643,639	S *	8/2011	Lewis	D6/361
D643,640	S *	8/2011	DeSanta et al.	D6/366
D645,271	S *	9/2011	Olano Jauregui	D6/375

* cited by examiner

Primary Examiner — Kelley Donnelly

(74) *Attorney, Agent, or Firm* — Notaro, Michalos & Zaccaria P.C.

(57) **CLAIM**

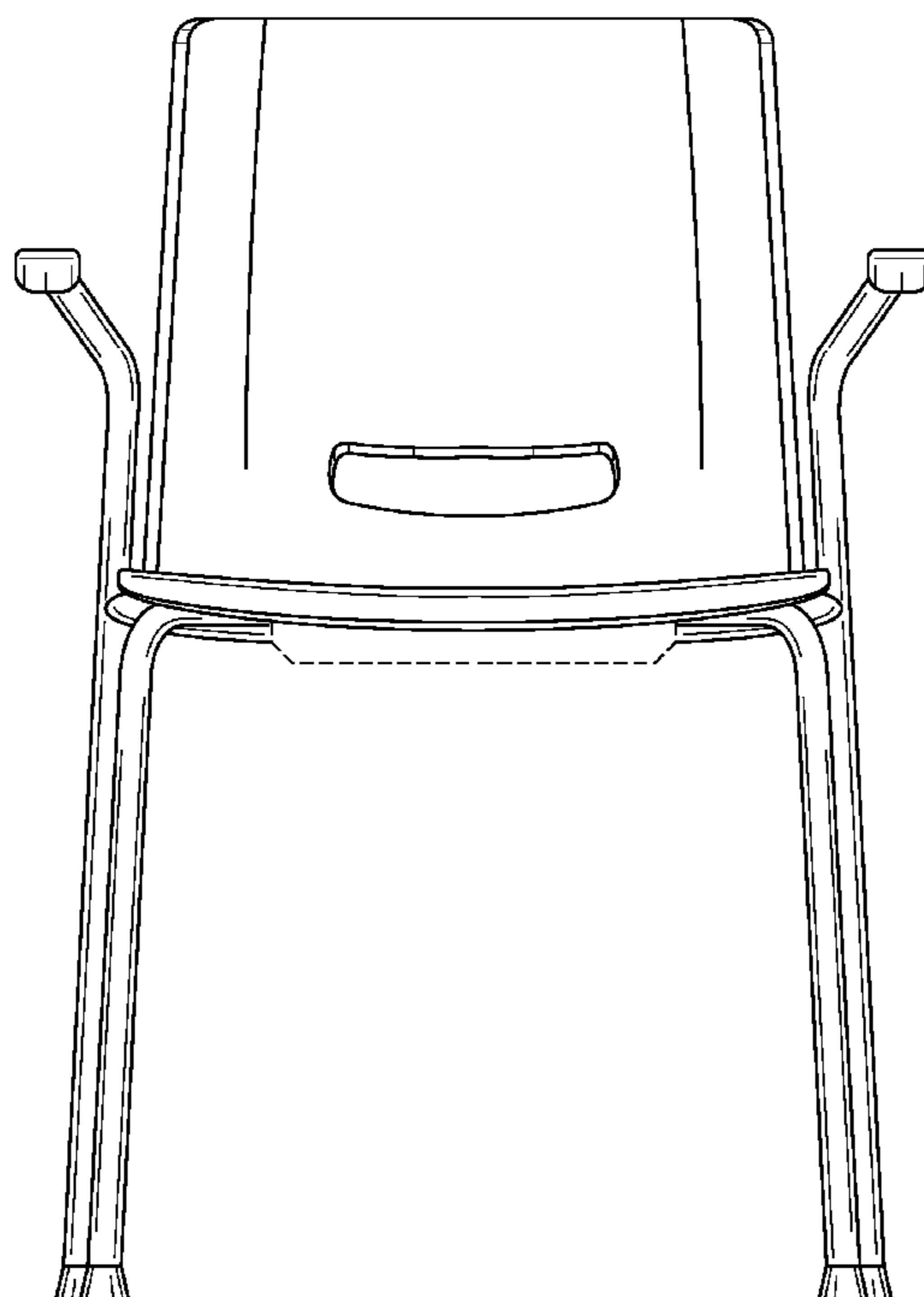
The ornamental design for a chair, as shown and described.

DESCRIPTION

FIG. 1 is a elevational view of a chair showing my new design; FIG. 2 is a rear elevational view thereof; FIG. 3 is a left side elevational view thereof; FIG. 4 is a right side elevational view thereof; FIG. 5 is a top plan view thereof; FIG. 6 is a front perspective view thereof; and, FIG. 7 is a rear perspective view thereof.

The broken lines showing in FIGS. 1-4 are included for the purpose of illustrating environment of the design and form no part of the claimed design.

1 Claim, 7 Drawing Sheets



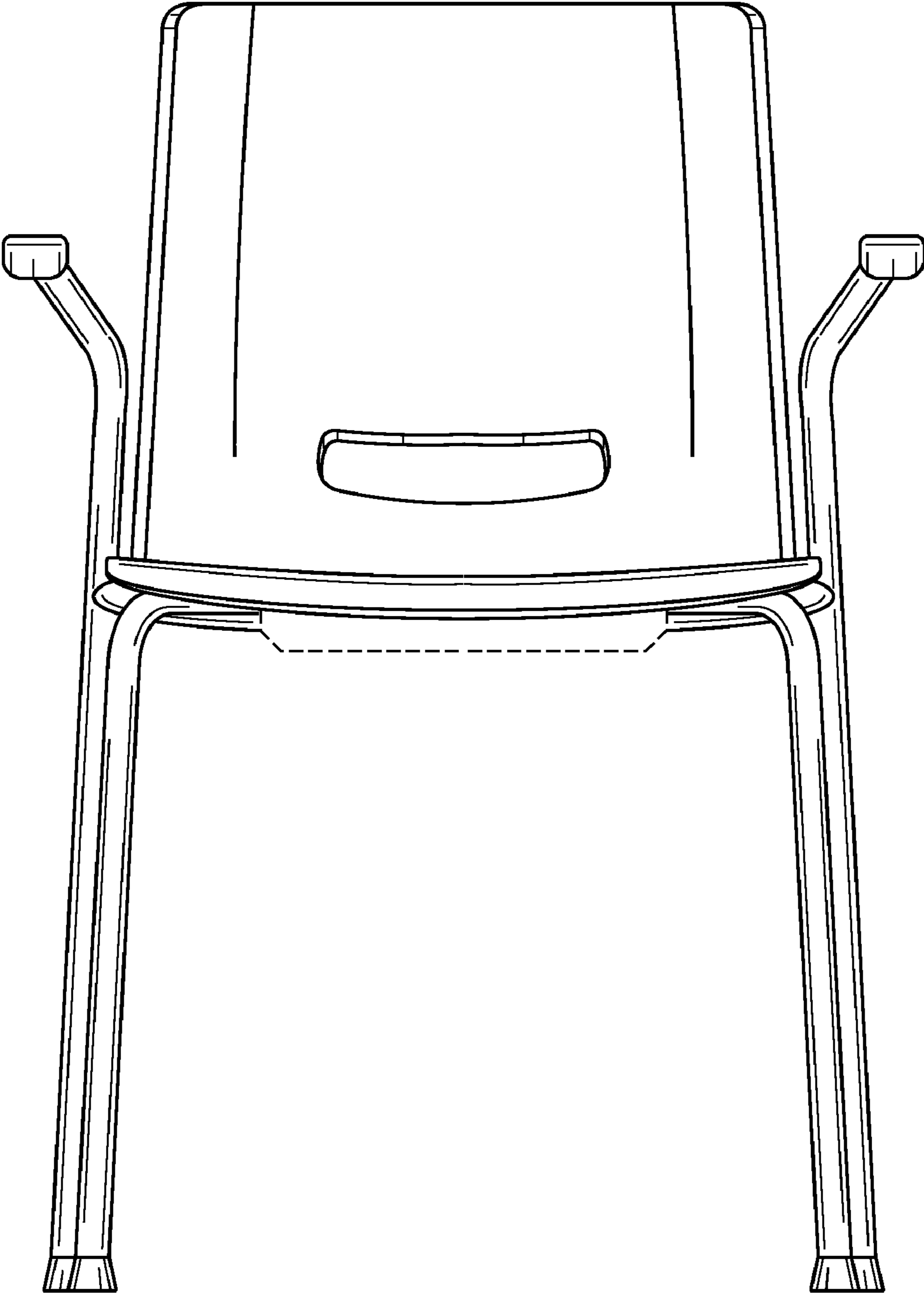


FIG. 1

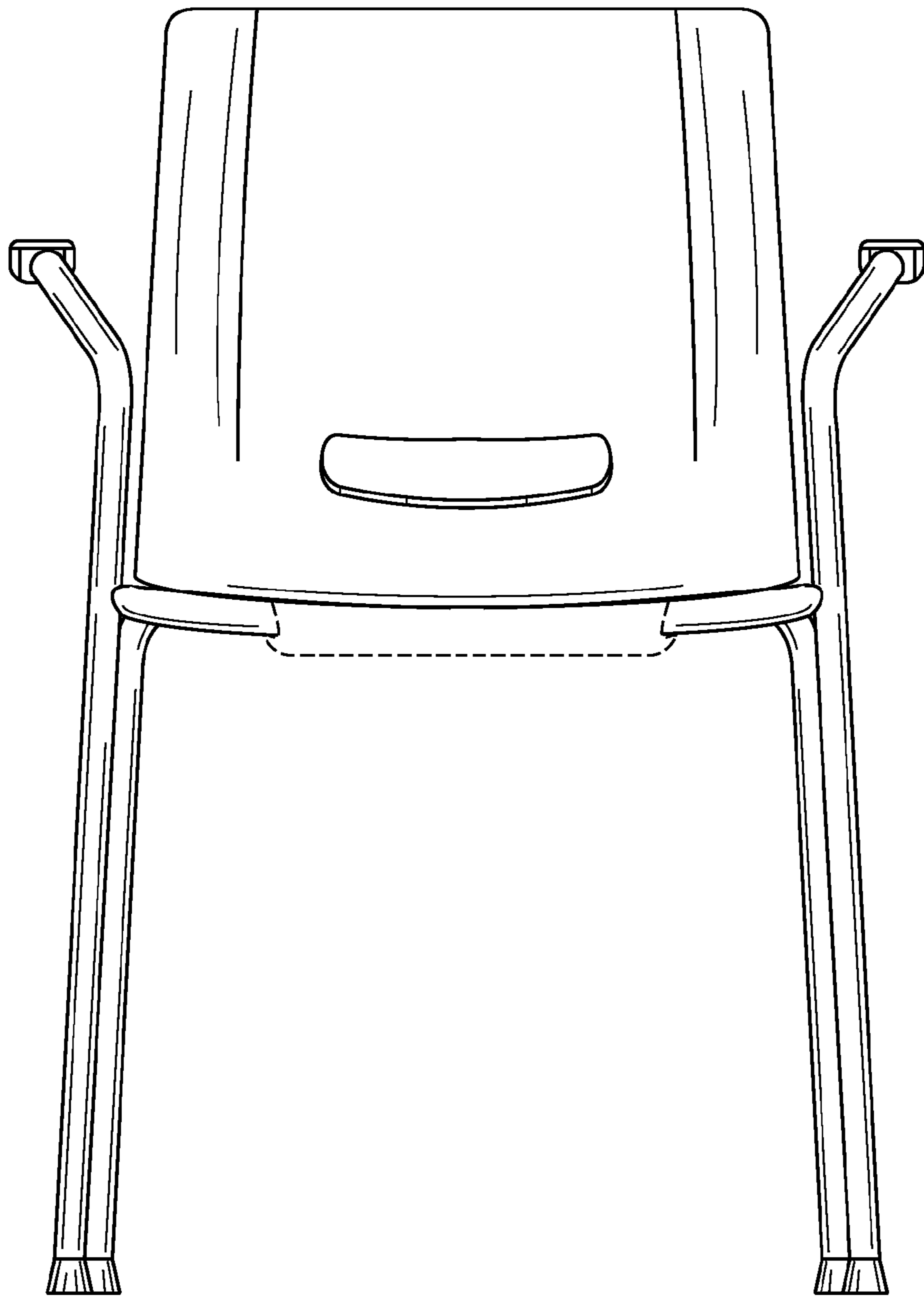


FIG. 2

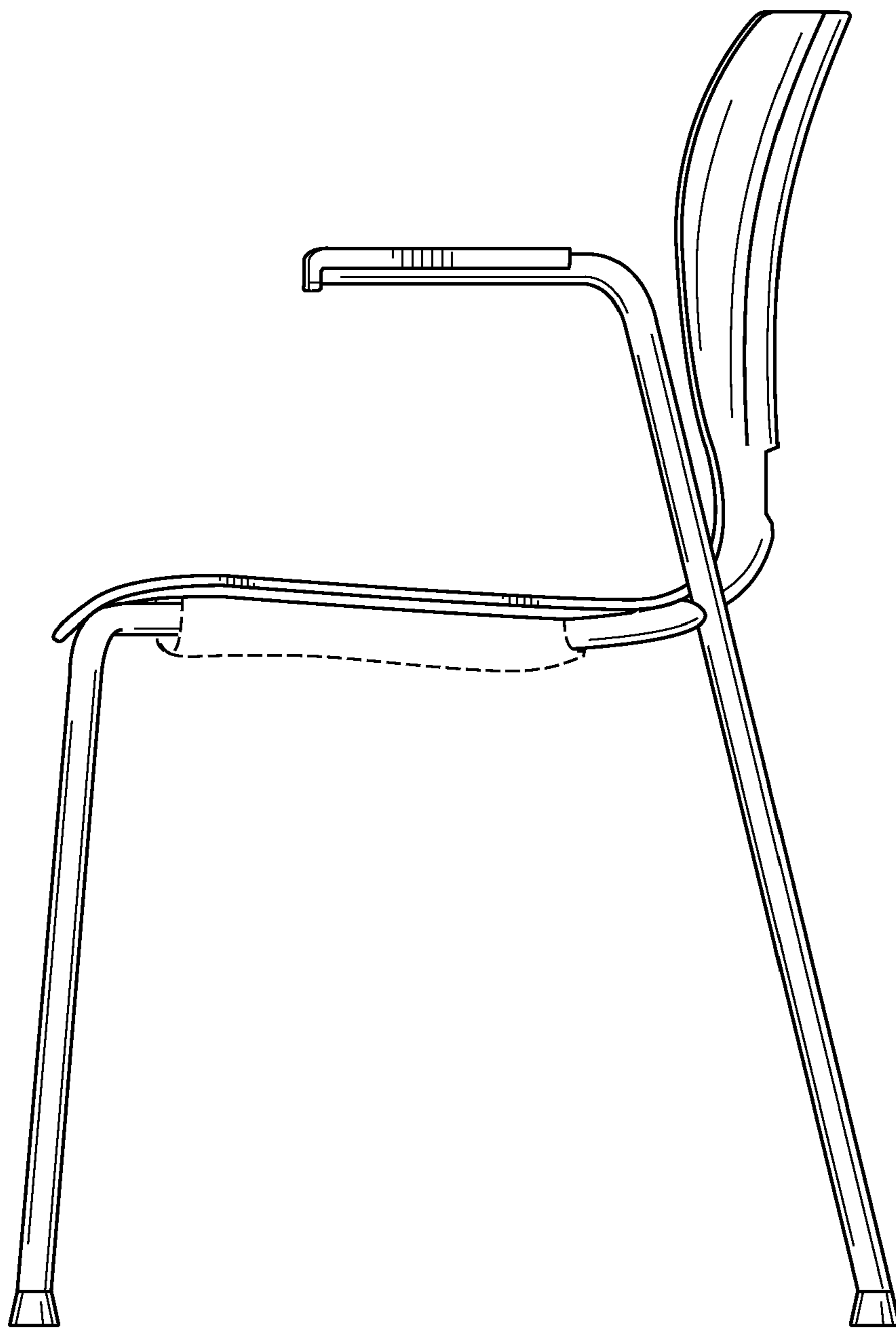


FIG. 3

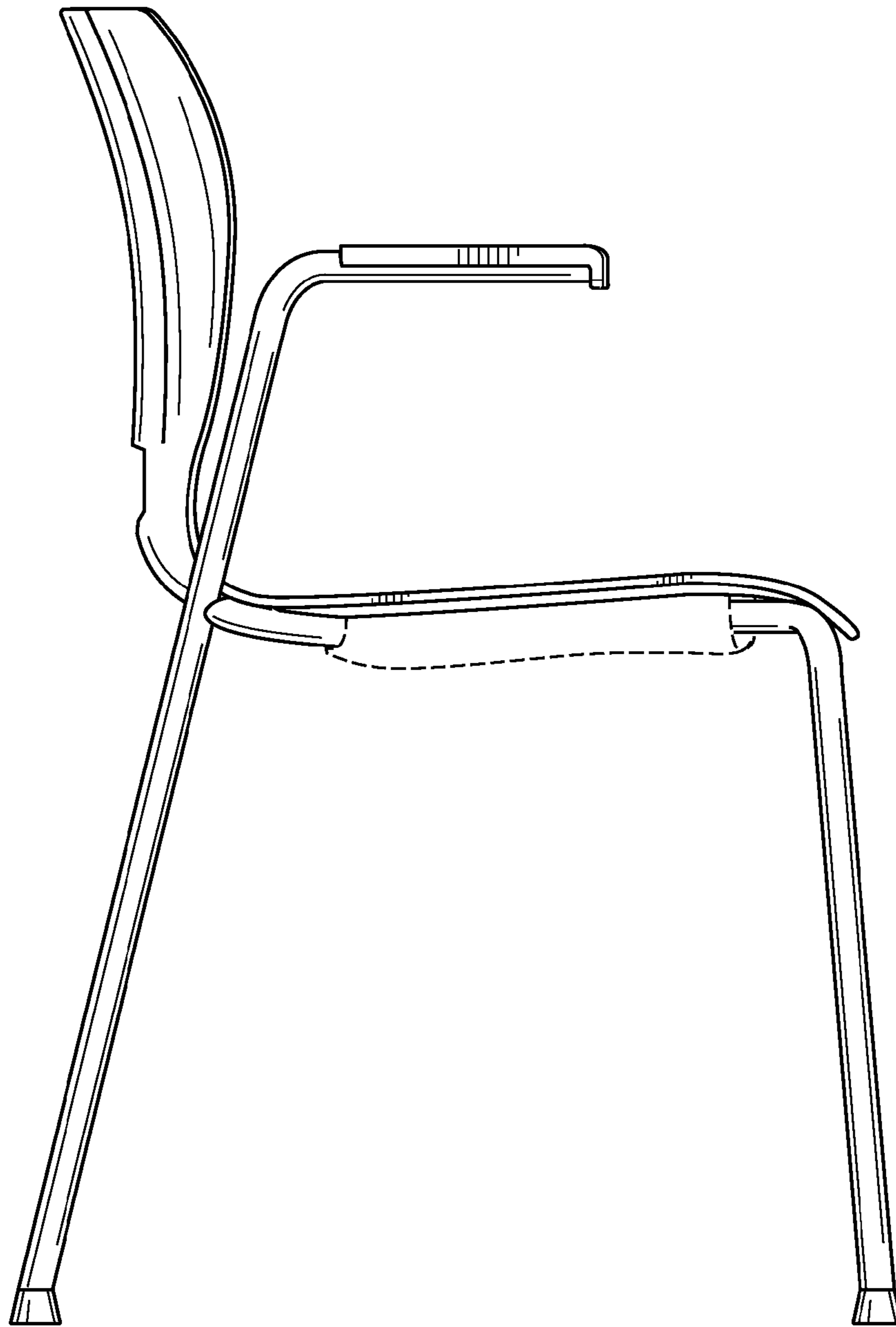


FIG. 4

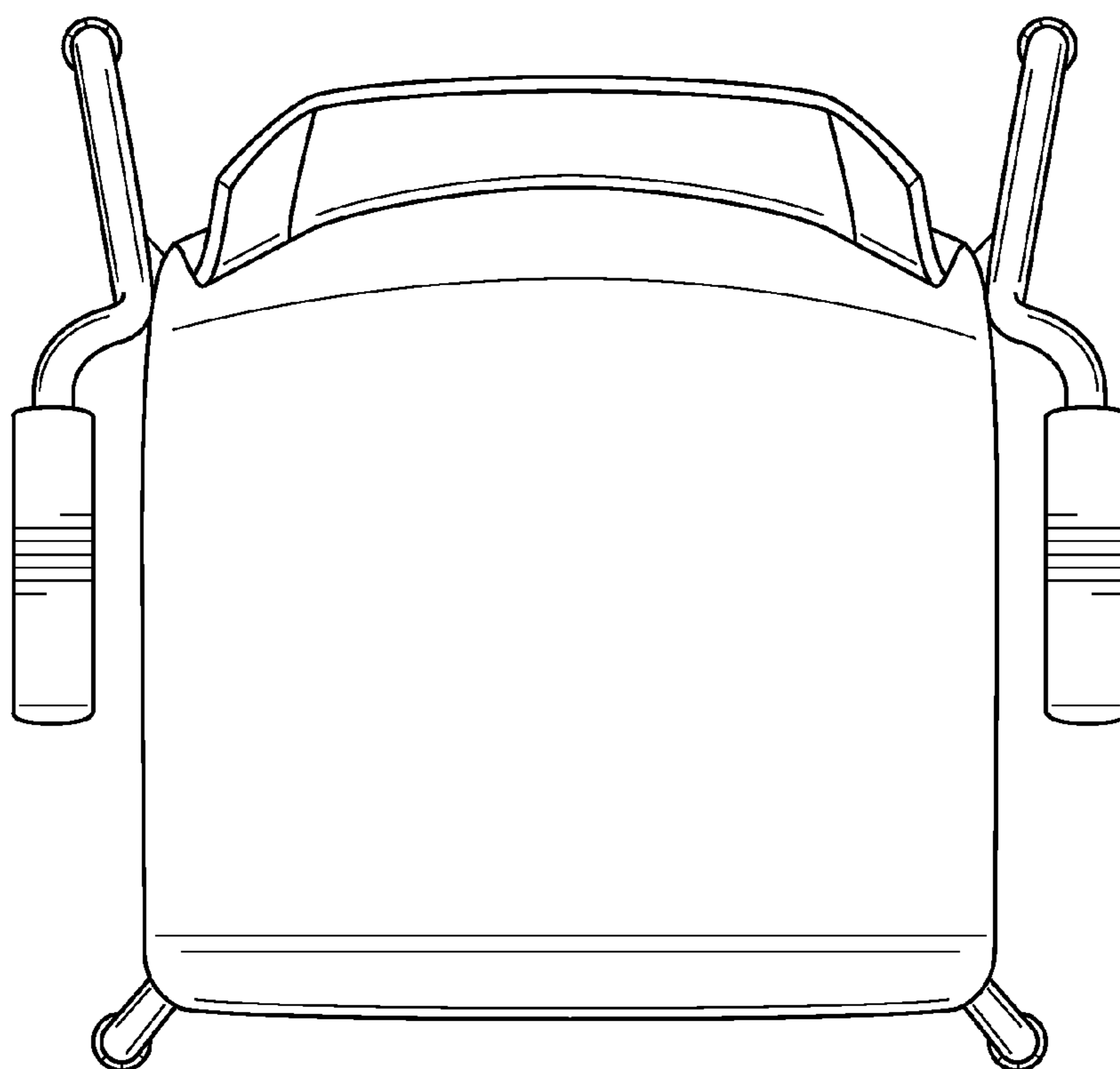


FIG. 5

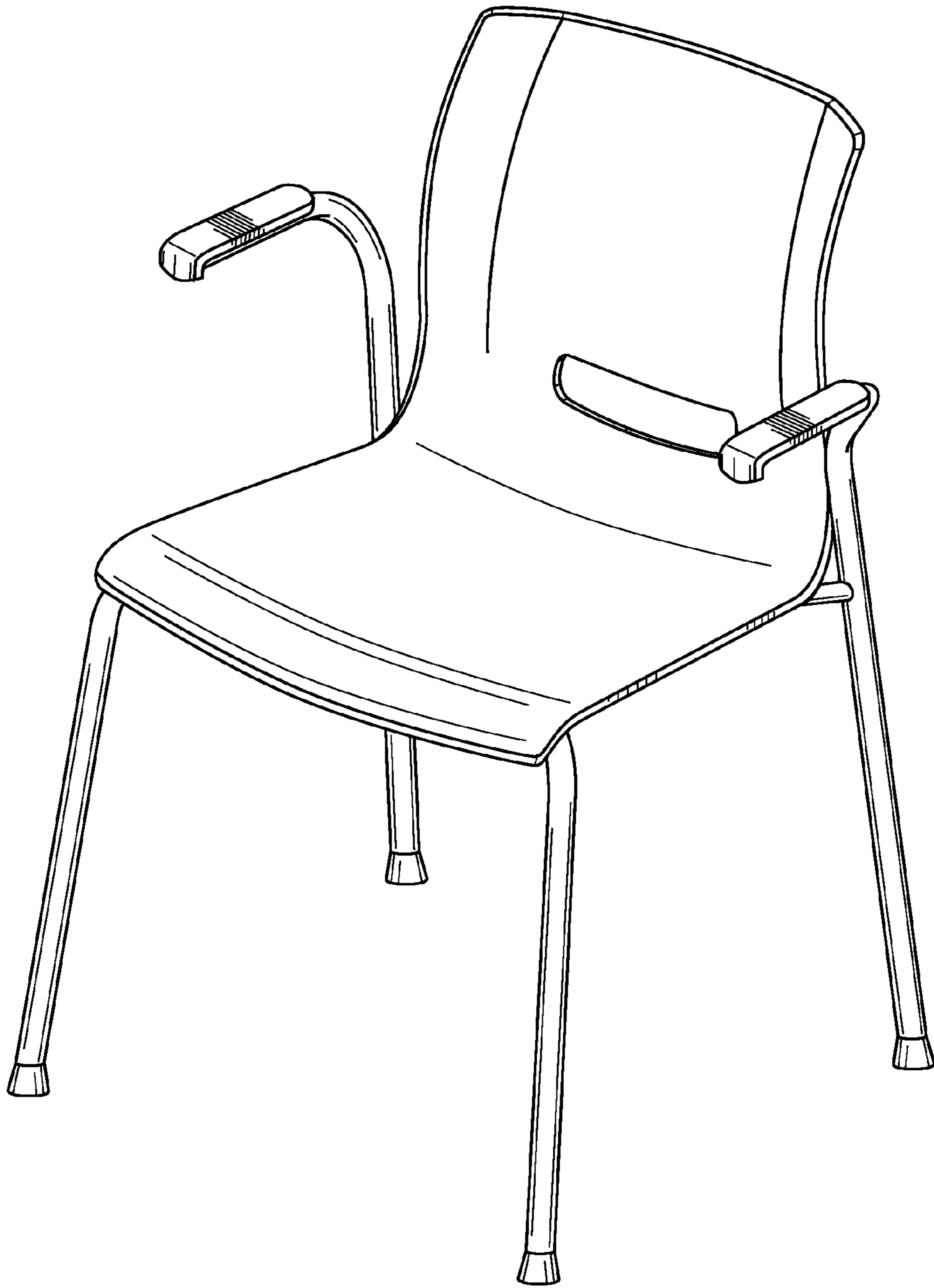


FIG. 6

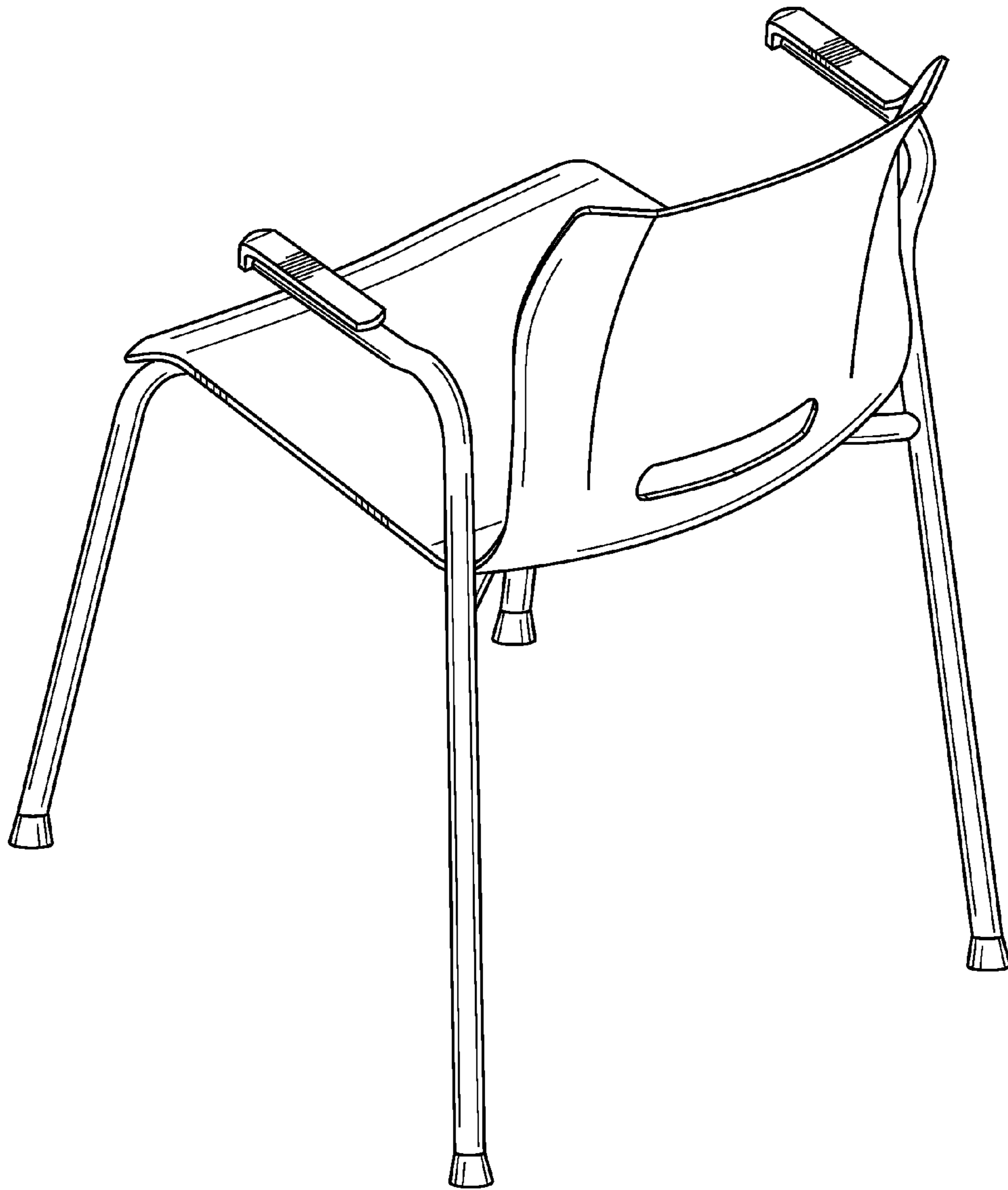


FIG. 7