



US00D658393S

(12) **United States Design Patent**  
**Jones**

(10) **Patent No.:** **US D658,393 S**

(45) **Date of Patent:** **\*\* May 1, 2012**

(54) **GARMENT HANGER**

(75) Inventor: **Michael Edward Jones**, Ruthin (GB)

(73) Assignee: **Mainetti (UK) Limited** (GB)

(\*\*) Term: **14 Years**

(21) Appl. No.: **29/396,566**

(22) Filed: **Jul. 1, 2011**

(51) **LOC (9) Cl.** ..... **06-08**

(52) **U.S. Cl.** ..... **D6/326**

(58) **Field of Classification Search** ..... D6/317-328;  
211/13.1, 85.3, 86.01, 113, 119, 123, 124,  
211/181.1; 223/85-98, 111, 85.29, 85.31,  
223/119.01

See application file for complete search history.

(56) **References Cited**

**U.S. PATENT DOCUMENTS**

1,893,508	A *	1/1933	Rosenberg	.....	24/331
2,485,258	A *	10/1949	Chambers et al.	.....	205/299
4,157,782	A *	6/1979	Mainetti	.....	223/96
4,295,585	A *	10/1981	Garrison	.....	223/96
4,623,080	A *	11/1986	Roloff	.....	223/95
4,638,930	A *	1/1987	Blanchard	.....	223/85
D319,927	S *	9/1991	Beverly	.....	D6/326

D334,846	S *	4/1993	Blanchard	.....	D6/317
D381,523	S *	7/1997	Beverly	.....	D6/326
D502,012	S *	2/2005	Greiner	.....	D6/326
6,923,350	B2 *	8/2005	Gouldson et al.	.....	223/96
D628,398	S *	12/2010	Fort et al.	.....	D6/326
D628,819	S *	12/2010	Mazzotta	.....	D6/326

\* cited by examiner

*Primary Examiner* — Prabhakar Deshmukh

(74) *Attorney, Agent, or Firm* — Jack Schwartz & Associates, PLLC

(57) **CLAIM**

The ornamental design for a garment hanger, as shown and described.

**DESCRIPTION**

FIG. 1 is a top plan view of a garment hanger showing my new design;

FIG. 2 is a left side elevational view thereof;

FIG. 3 is a front elevational view thereof;

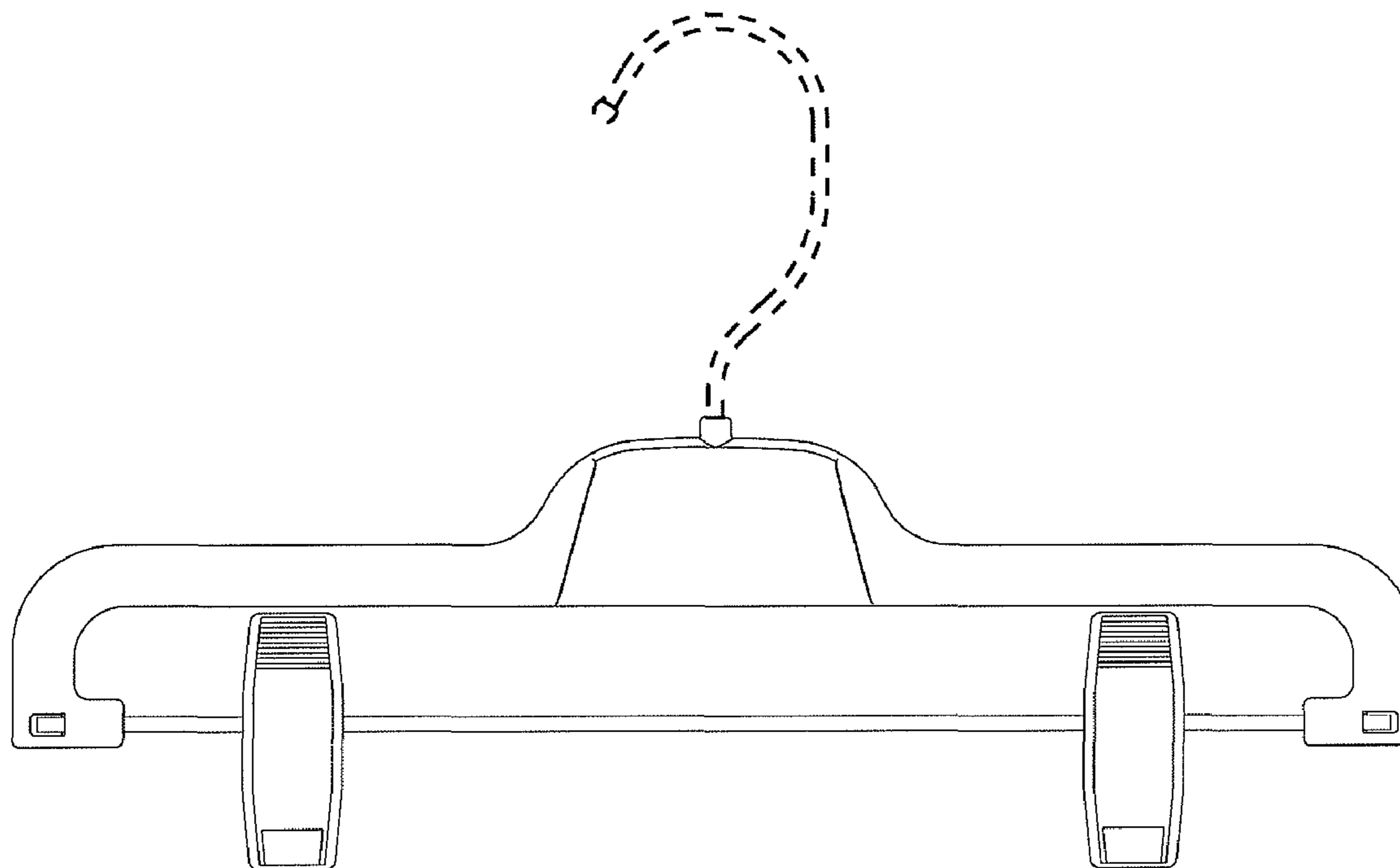
FIG. 4 is a right side elevational view thereof;

FIG. 5 is a rear elevational view thereof; and,

FIG. 6 is a bottom plan view thereof.

The broken lines are for illustrative purpose only and form no part of the claimed design.

**1 Claim, 2 Drawing Sheets**



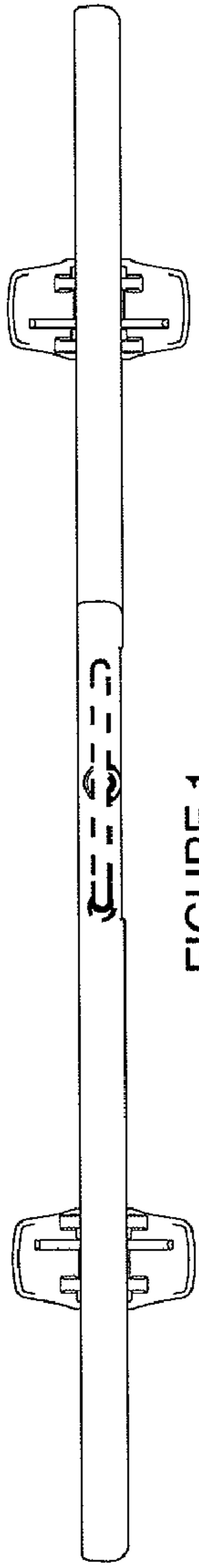


FIGURE 1

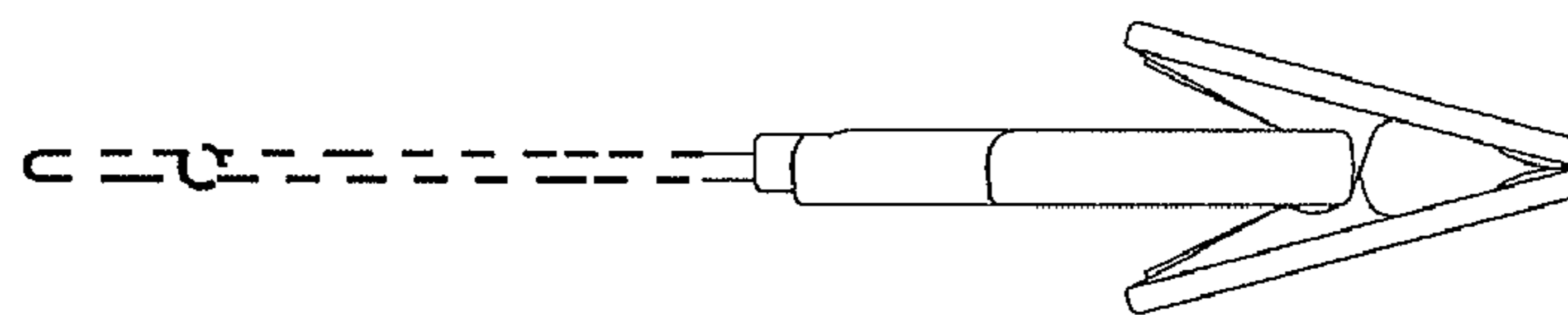


FIGURE 2

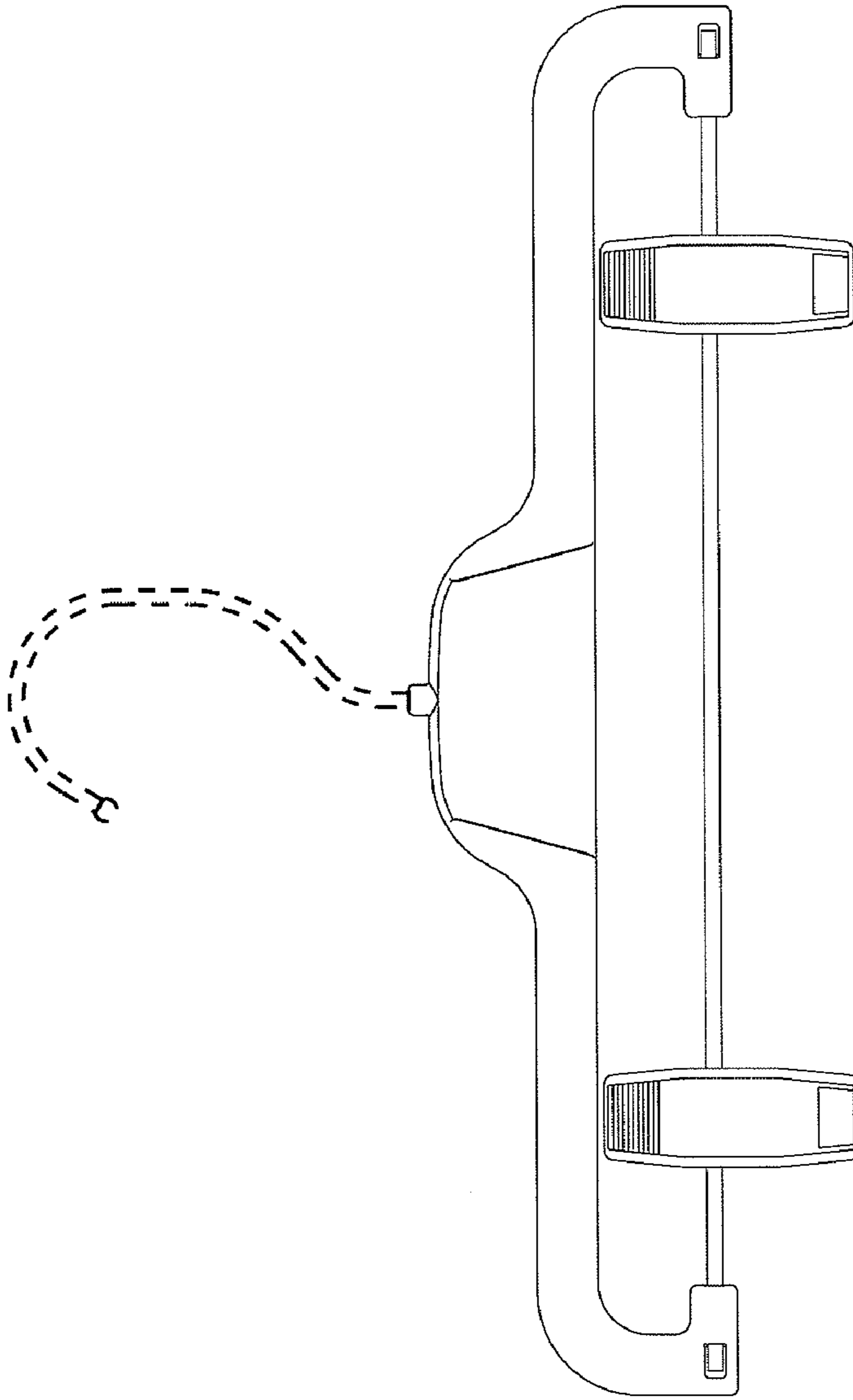


FIGURE 3

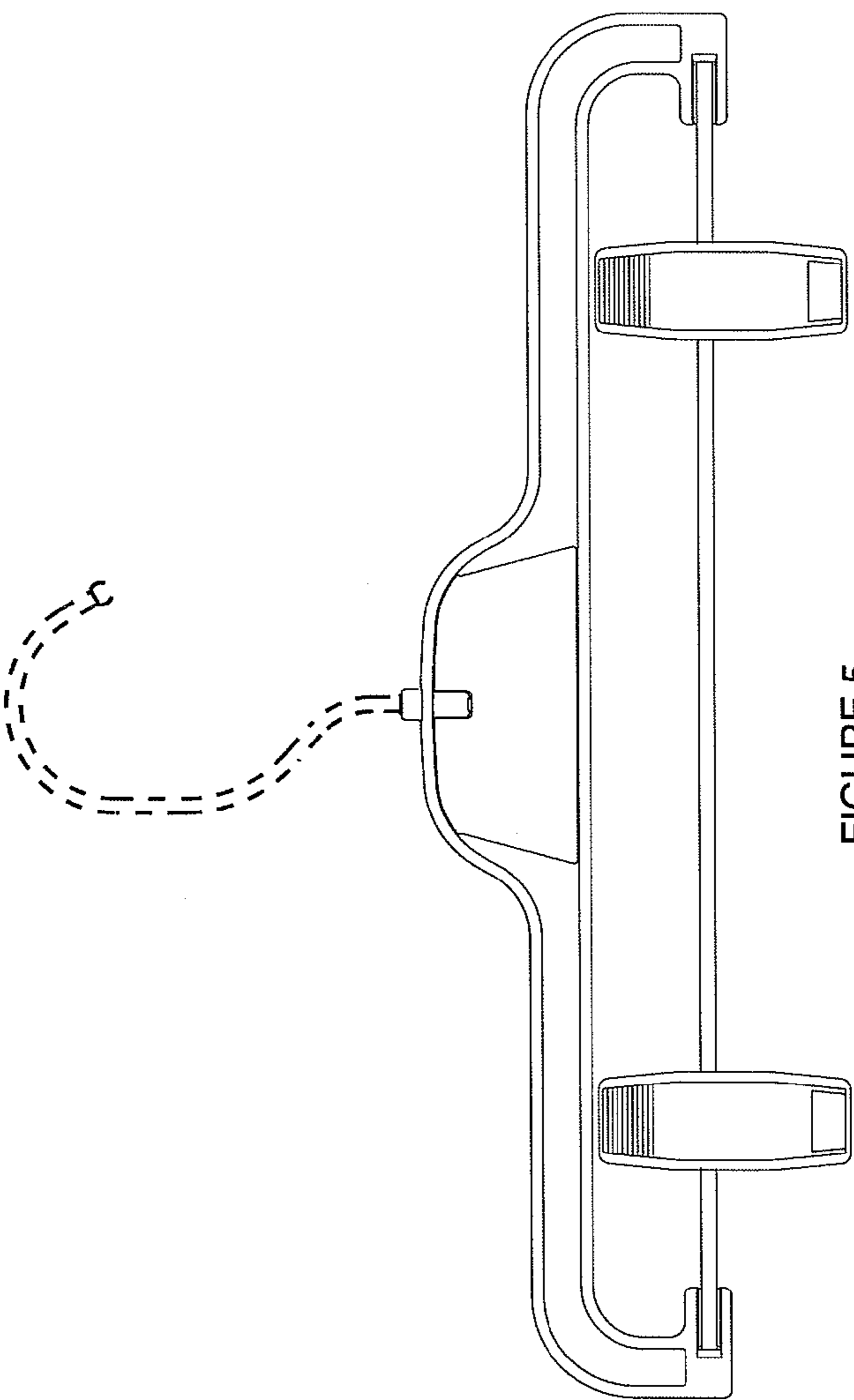


FIGURE 5

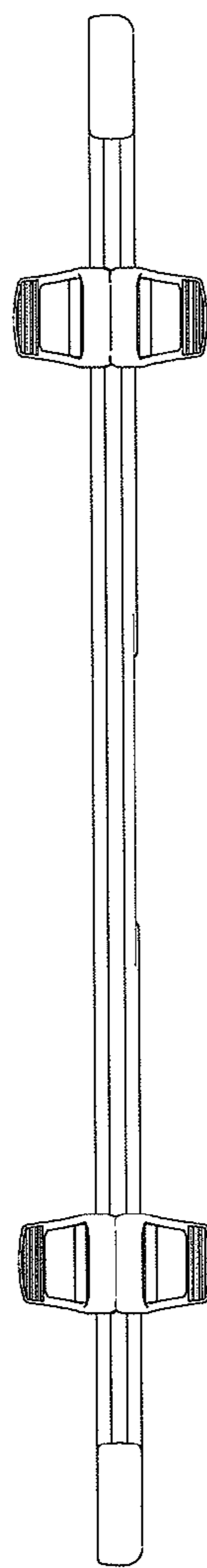


FIGURE 6

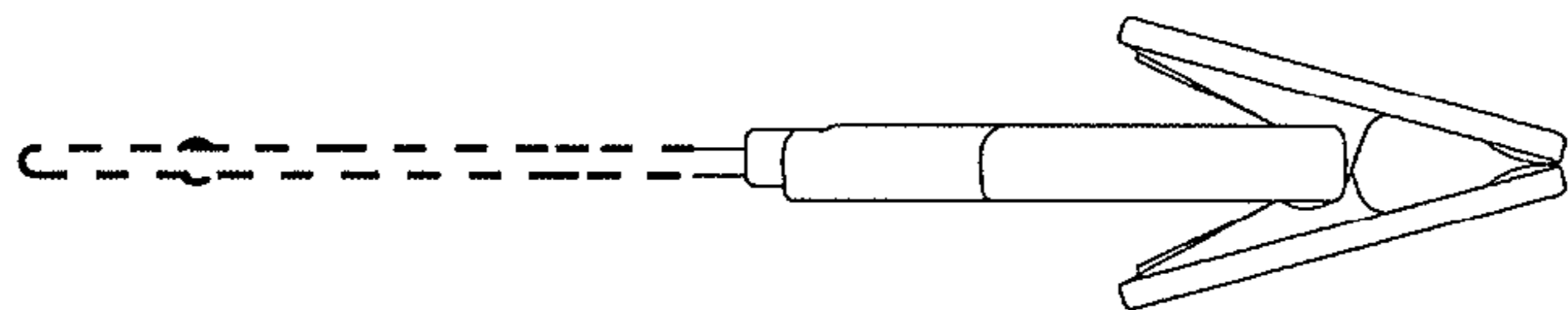


FIGURE 4