



US00D658388S

(12) **United States Design Patent**
Persson

(10) **Patent No.:** **US D658,388 S**

(45) **Date of Patent:** **** *May 1, 2012**

(54) **BRUSH**

(75) Inventor: **Jan-Ove Persson**, Hoor (SE)

(73) Assignee: **Atos Medical AB** (SE)

(*) Notice: This patent is subject to a terminal disclaimer.

(**) Term: **14 Years**

(21) Appl. No.: **29/221,985**

(22) Filed: **Jan. 25, 2005**

(51) **LOC (9) Cl.** **04-01**

(52) **U.S. Cl.** **D4/131**

(58) **Field of Classification Search** D4/128,
D4/131, 138; D24/133, 146, 147; 15/104.16,
15/104.2, 143.1, 159.1, 160, 164, 165, 206;
600/569

See application file for complete search history.

(56) **References Cited**

U.S. PATENT DOCUMENTS

D30,951 S * 6/1899 Saint Cyr, Jr. D24/133
3,208,302 A * 9/1965 Lewis et al. 74/548
4,227,537 A * 10/1980 Suci et al. 600/569

4,487,209 A * 12/1984 Mehl 600/567
D316,488 S * 4/1991 Stormby D4/131
5,615,439 A * 4/1997 Bourrelly 15/104.2
5,713,369 A * 2/1998 Tao et al. 600/569
2005/0256426 A1* 11/2005 Brugge 600/569

* cited by examiner

Primary Examiner — Melanie H Tung

Assistant Examiner — Lavone D Tabor

(74) *Attorney, Agent, or Firm* — Rader, Fishman & Grauer
PLLC

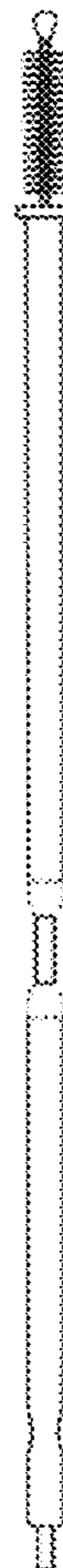
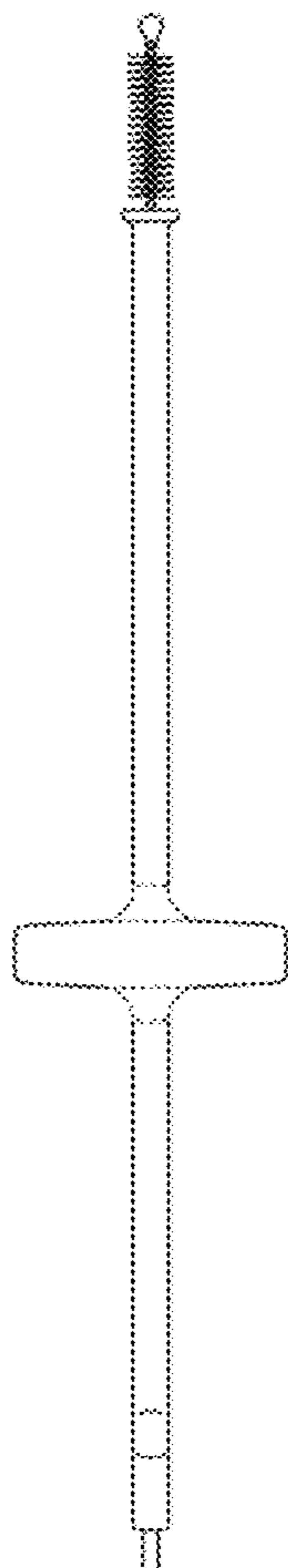
(57) **CLAIM**

The ornamental design for a brush, as shown and described.

DESCRIPTION

FIG. 1 is a plan view of the brush as seen from above;
FIG. 2 is a plan view from the brush as seen from below;
FIG. 3 is a side view of the brush;
FIG. 4 is a side view from the other side of the brush; and,
FIG. 5 is a top and side perspective view of the brush.
The portions of the handle shown in broken lines form no part
of the claimed design.

1 Claim, 5 Drawing Sheets



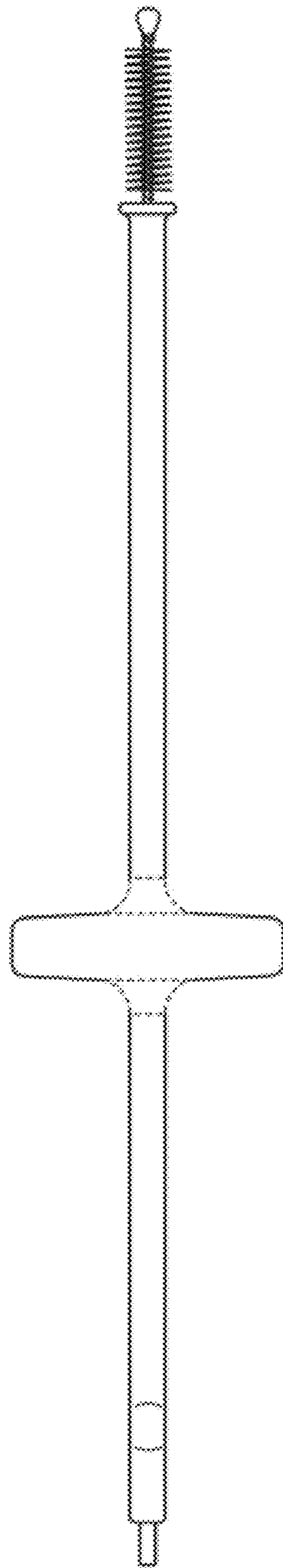


FIG. 1

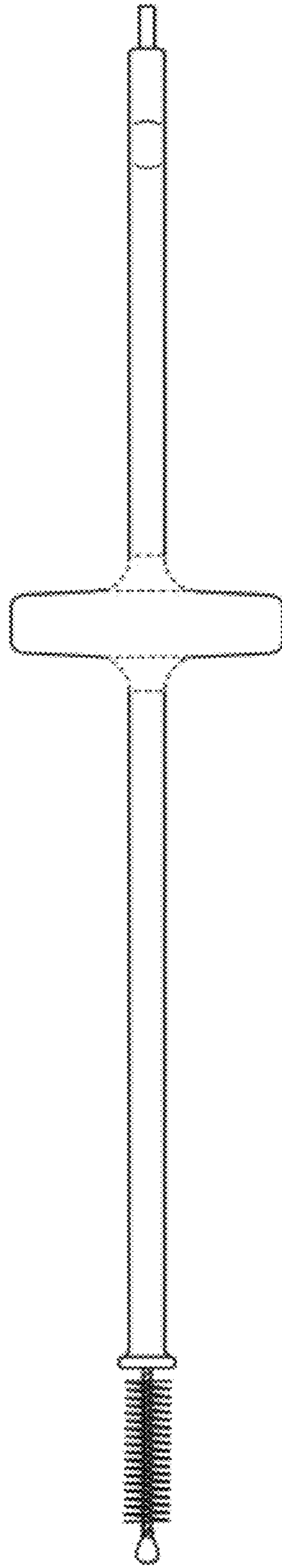


FIG. 2



FIG. 3

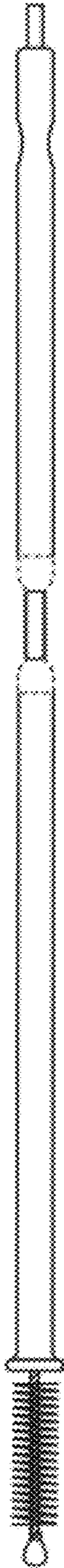


FIG. 4

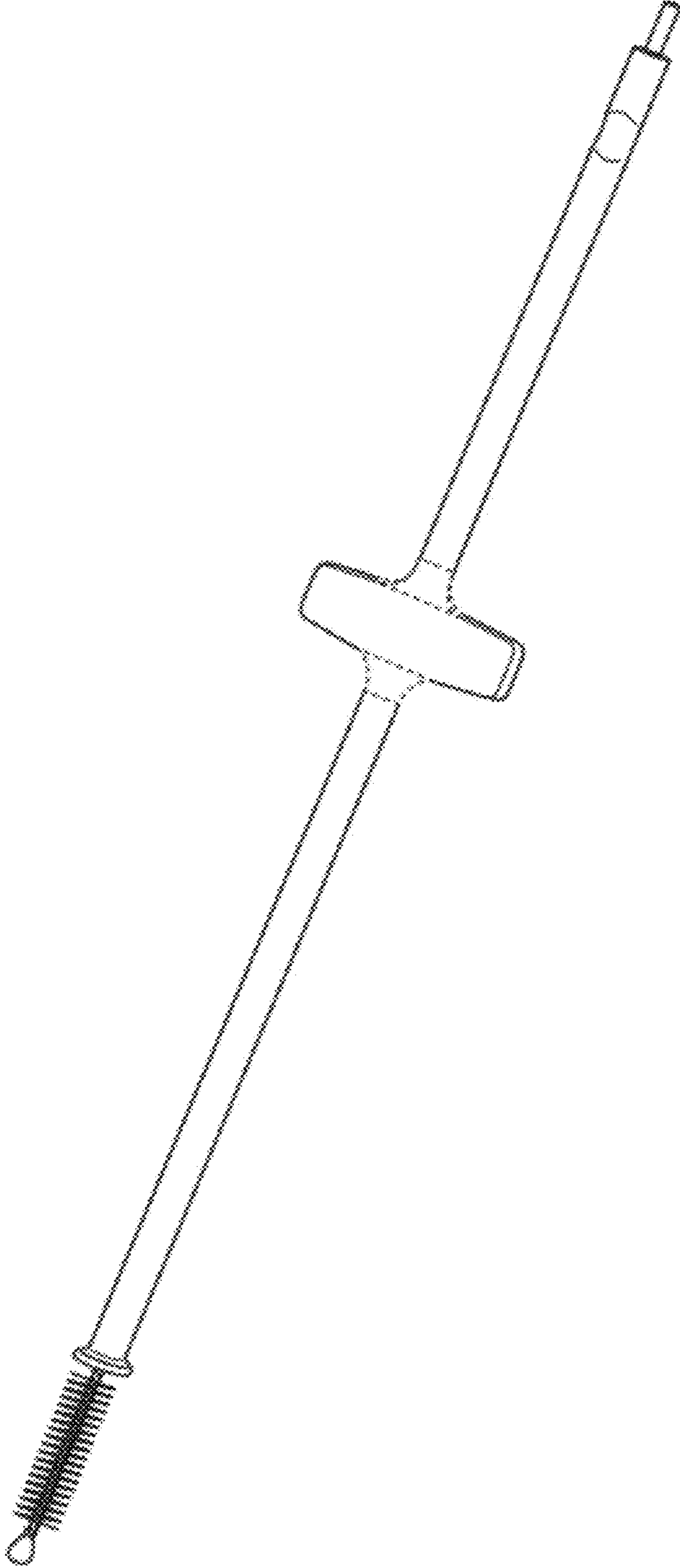


FIG. 5