



US00D658385S

(12) **United States Design Patent**  
**Lim et al.**

(10) **Patent No.:** **US D658,385 S**  
(45) **Date of Patent:** **\*\* May 1, 2012**

- (54) **TWO-IN-ONE COSMETIC BRUSH**
  - (75) Inventors: **Cindy Lim**, Santa Monica, CA (US);  
**Megan Rene Langdon**, Santa Monica, CA (US)
  - (73) Assignee: **HCT Asia Ltd**, Central (HK)
  - (\*\*) Term: **14 Years**
  - (21) Appl. No.: **29/358,561**
  - (22) Filed: **Mar. 29, 2010**
  - (51) **LOC (9) Cl.** ..... **04-02**
  - (52) **U.S. Cl.** ..... **D4/121; D4/138**
  - (58) **Field of Classification Search** ..... D4/121,  
D4/127, 135, 138; 15/106, 159.1, 160, 176.1,  
15/184, 190-194; 132/289, 294, 298, 313,  
132/317, 320
- See application file for complete search history.

(56) **References Cited**

**U.S. PATENT DOCUMENTS**

2,590,329	A *	3/1952	Kromray	.....	401/124
3,592,202	A	7/1971	Jones		
4,600,328	A	7/1986	Clements		
5,056,179	A	10/1991	Capponi		
5,620,270	A	4/1997	Gueret		
5,881,742	A	3/1999	Hunsberger		
2009/0090375	A1 *	4/2009	Tran	.....	132/73.5
2010/0095973	A1 *	4/2010	Shrier et al.	.....	132/200

**OTHER PUBLICATIONS**

CN 301313366 Registered Design Application, (Jin Zhenzhe) Aug. 18, 2010, [online], [retrieved on Jan. 12, 2012] Retrieved from the

Questel Intellectual Property Portal Design Database using the Internet: <URL: <http://www.orbit.com>>.\*

\* cited by examiner

*Primary Examiner* — Melanie H Tung

*Assistant Examiner* — Lavone D Tabor

(74) *Attorney, Agent, or Firm* — Lee & Hayes, PLLC

(57) **CLAIM**

The ornamental design for a two-in-one cosmetic brush, as shown and described.

**DESCRIPTION**

FIG. 1 is a perspective view of an illustrative two-in-one cosmetic brush;

FIG. 2 is a front elevation view of the two-in-one cosmetic brush of FIG. 1, the back view of the two-in-one cosmetic brush being a mirror image of the front view;

FIG. 3 is an enlarged top plan view of the two-in-one cosmetic brush of FIG. 1;

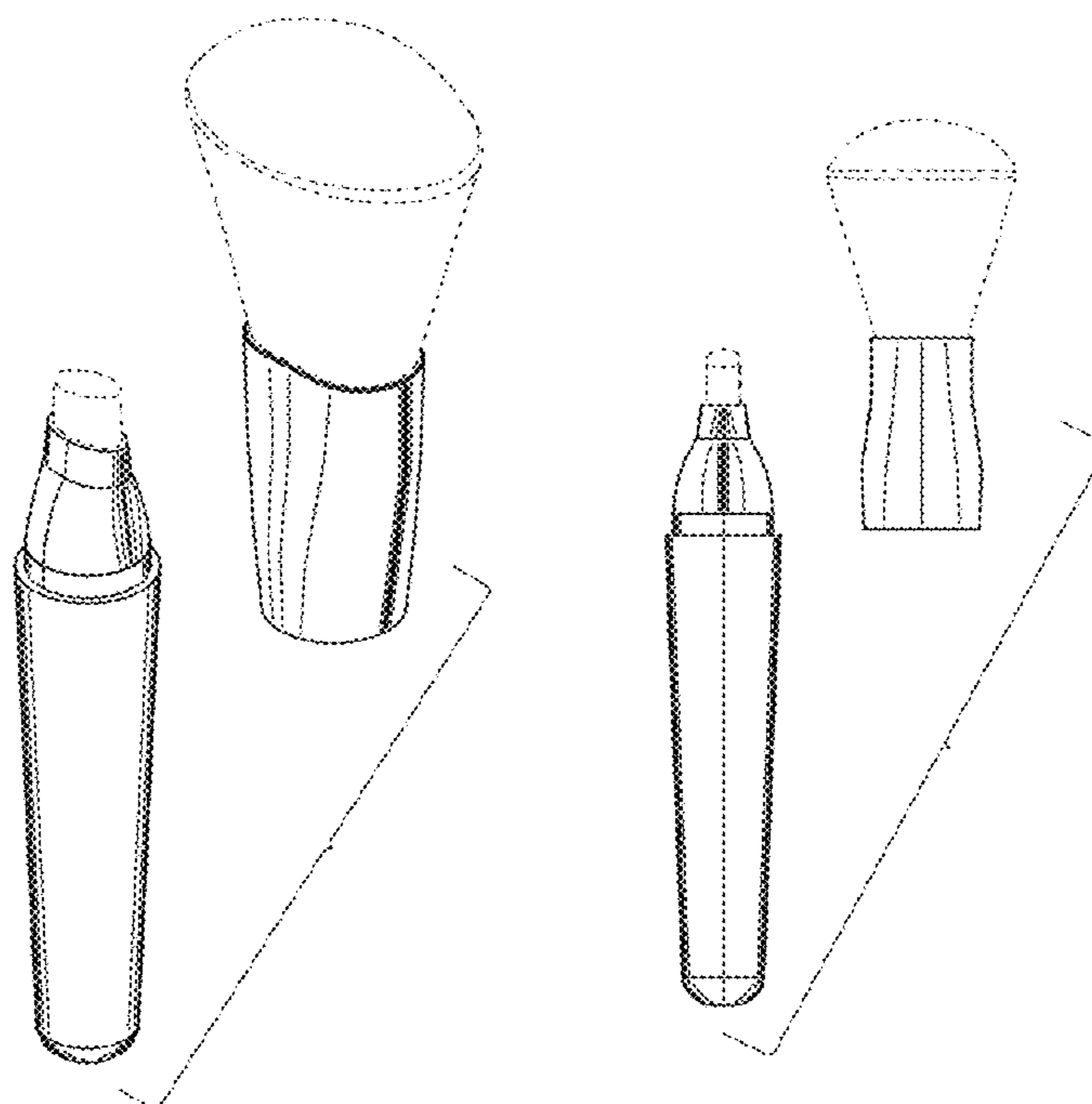
FIG. 4 is an enlarged top plan view of the two-in-one cosmetic brush of FIG. 1, omitting the hairs of the two-in-one brush for clarity;

FIG. 5 is an enlarged bottom plan view of the two-in-one cosmetic brush of FIG. 1; and,

FIG. 6 is a left side elevation view of the two-in-one cosmetic brush of FIG. 1, the right side view of the two-in-one cosmetic brush being a mirror image of the left side view.

The broken lines form no part of the claimed design. The broken lines are directed to environment and are for illustrative purposes only. The broken line immediately adjacent the solid line boundary defining the smaller brush head in FIGS. 1 and 4 represents the bounds of the claim and forms no part thereof.

**1 Claim, 6 Drawing Sheets**



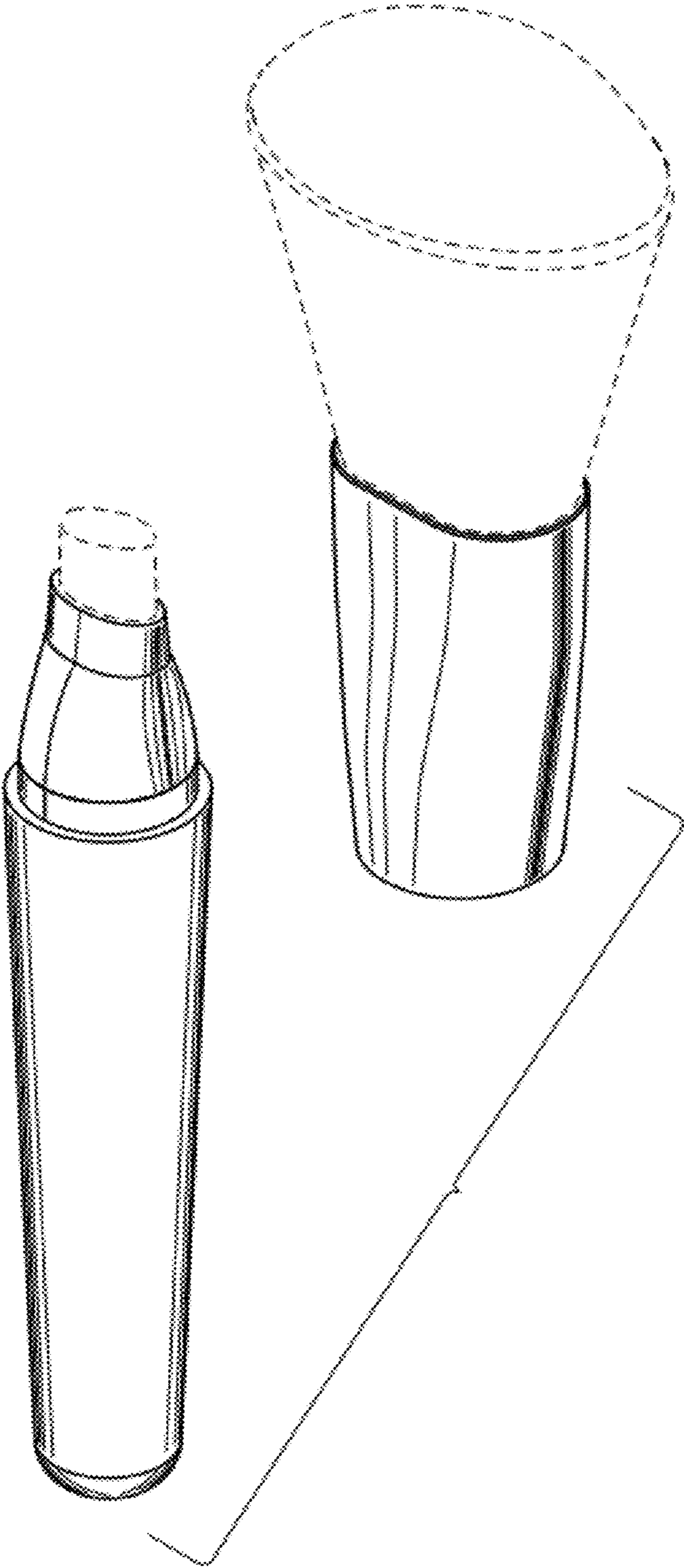


FIG. 1

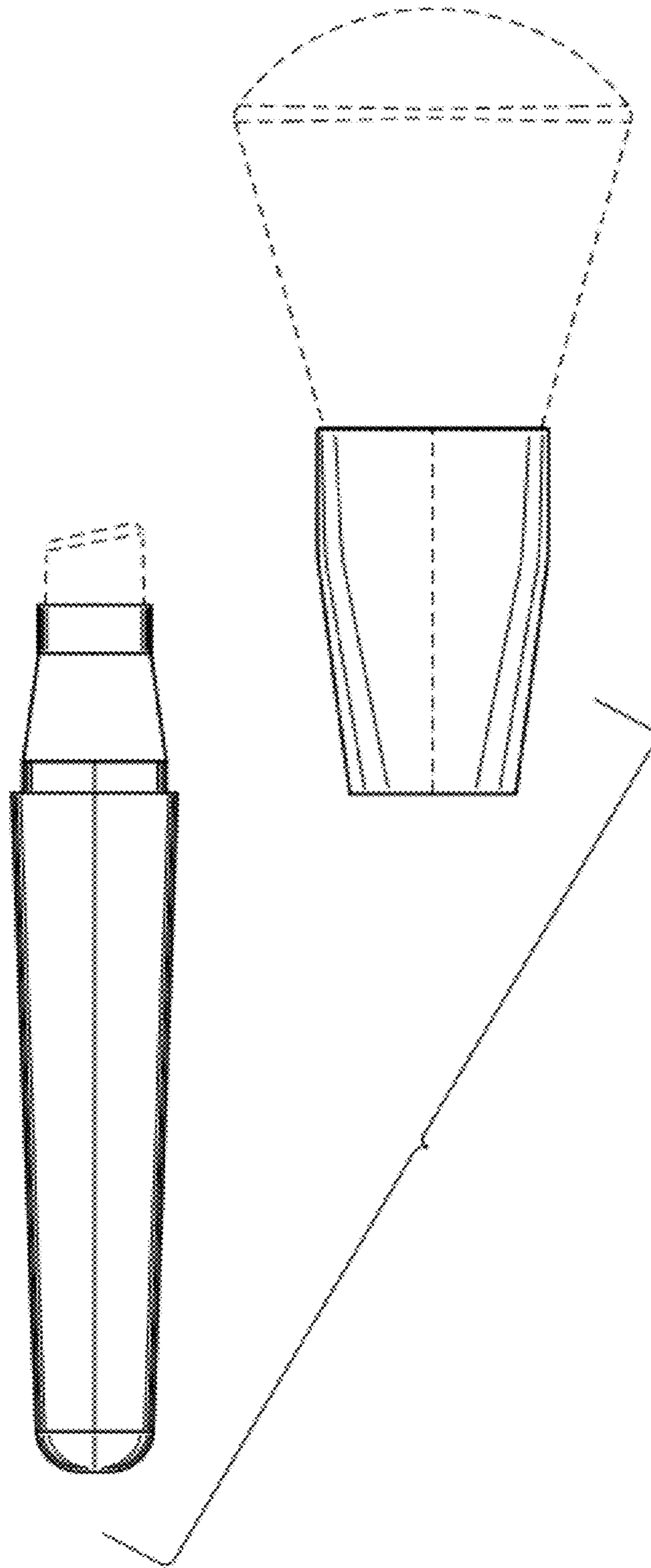


FIG. 2

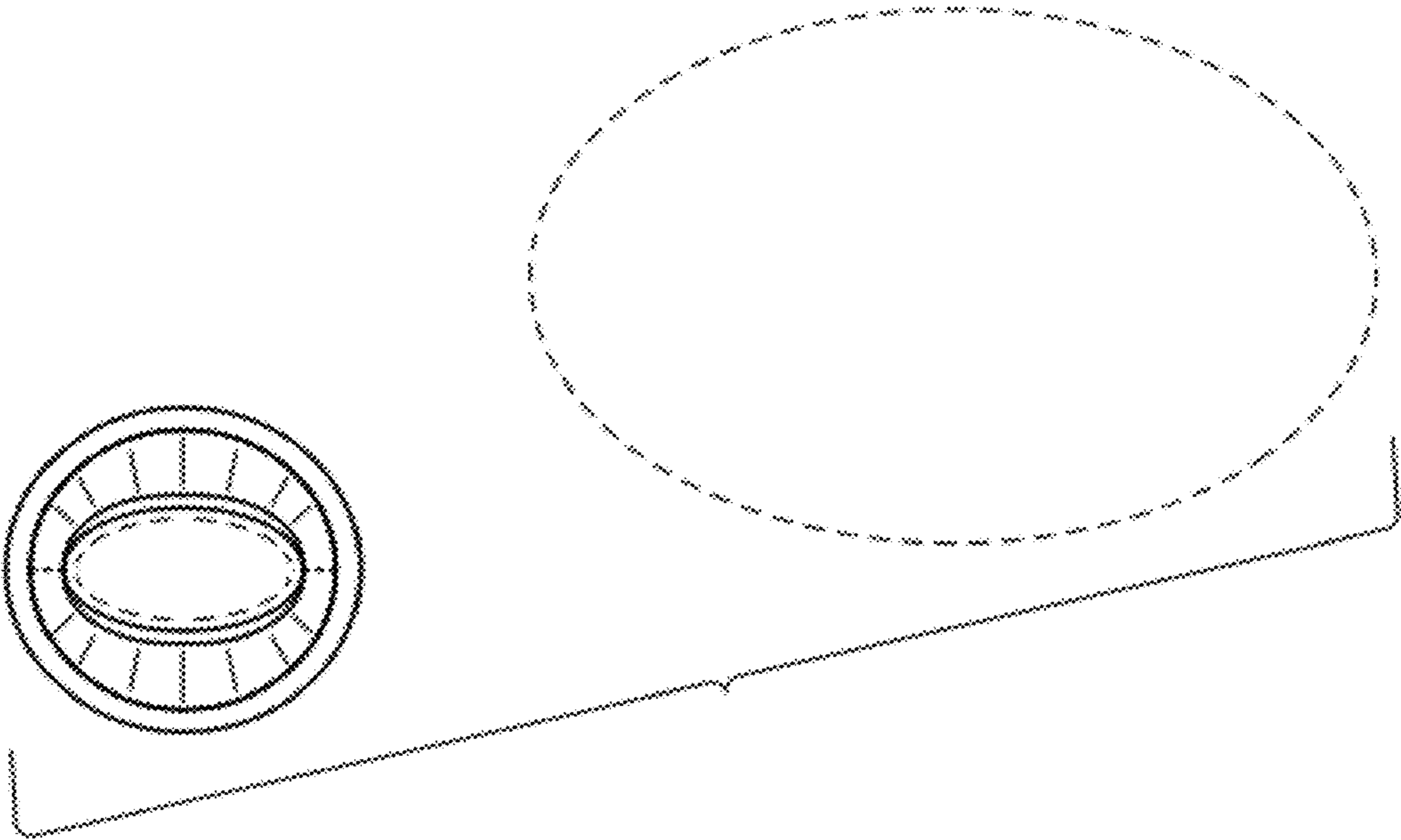


FIG. 3

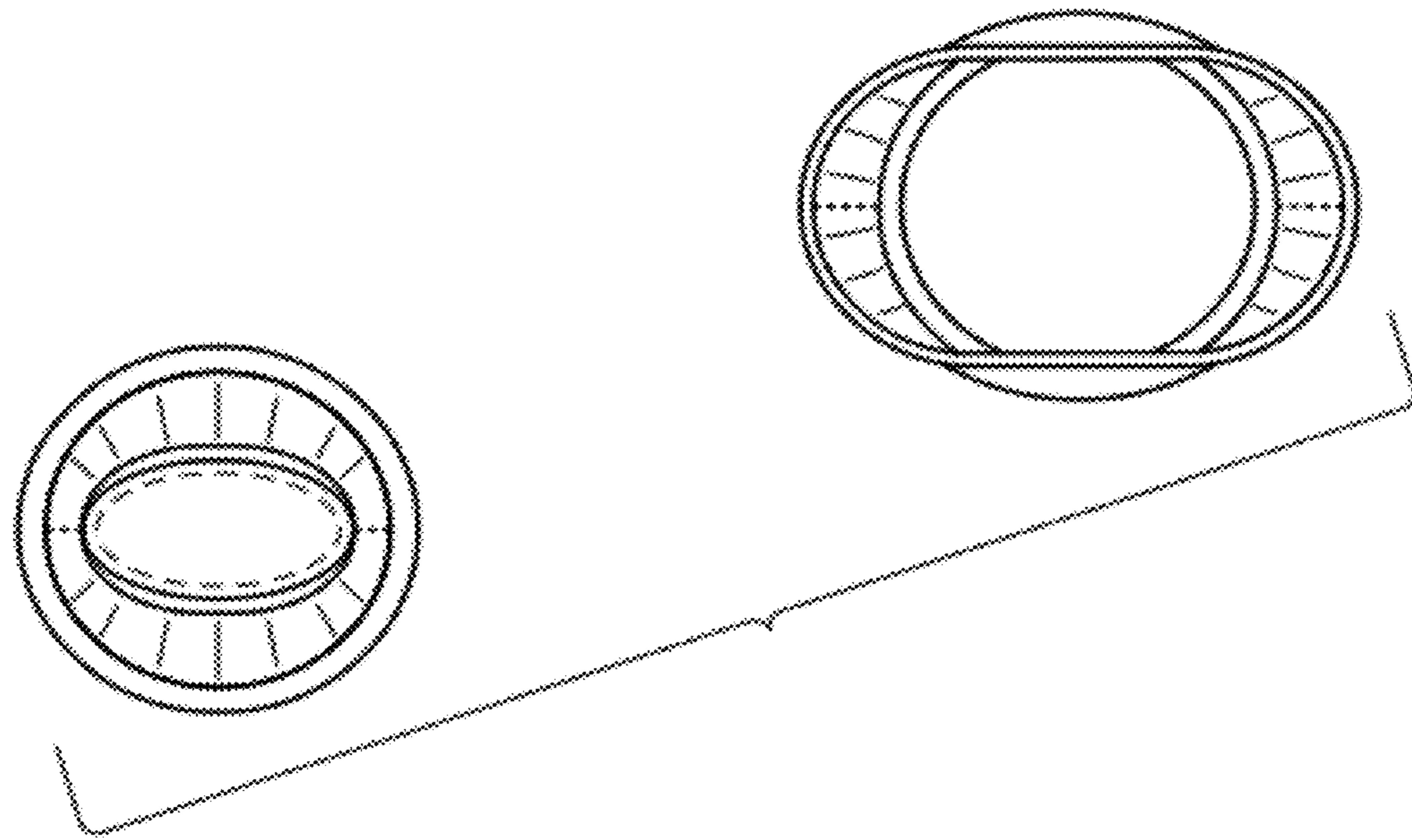


FIG. 4



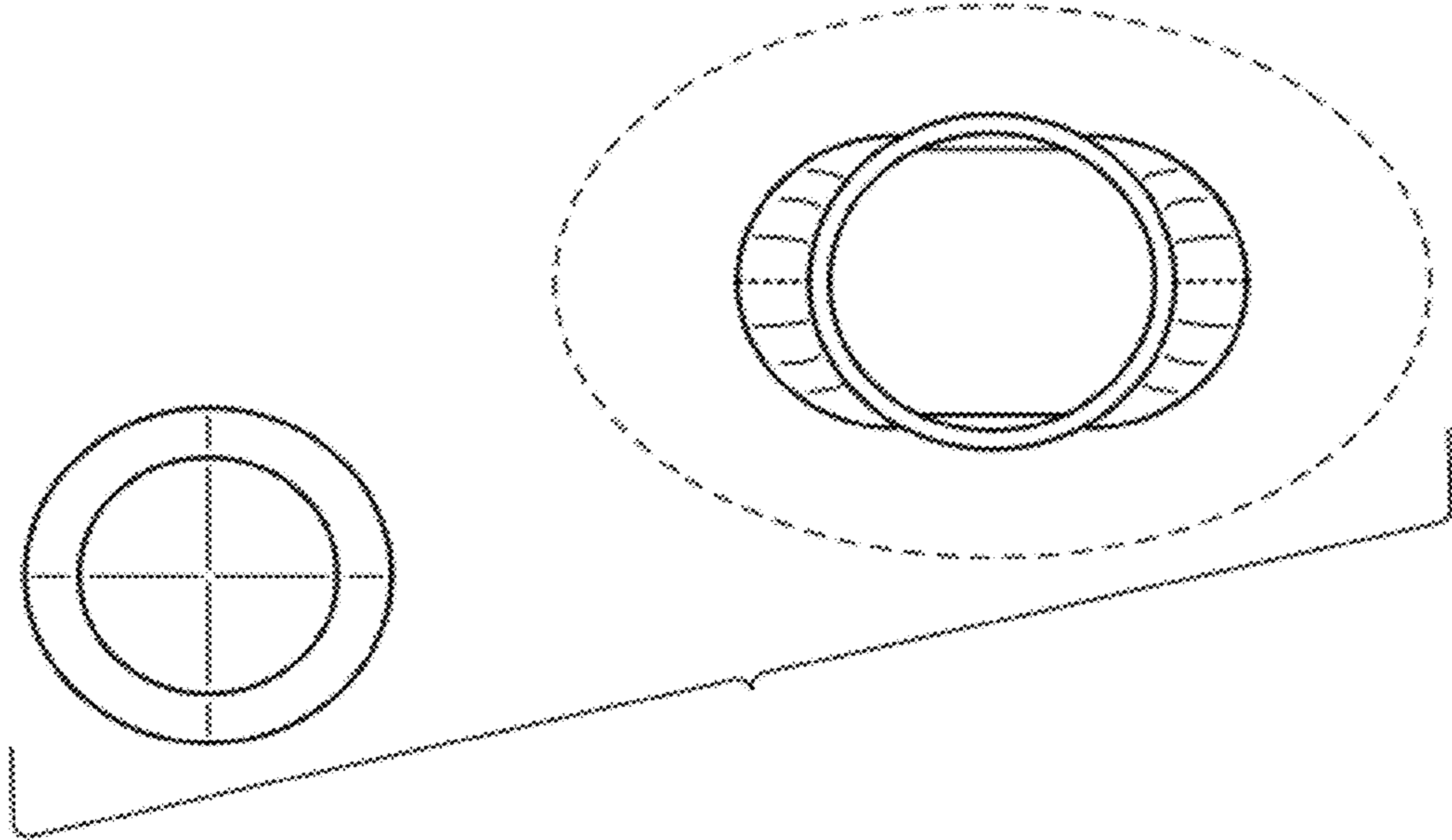


FIG. 5

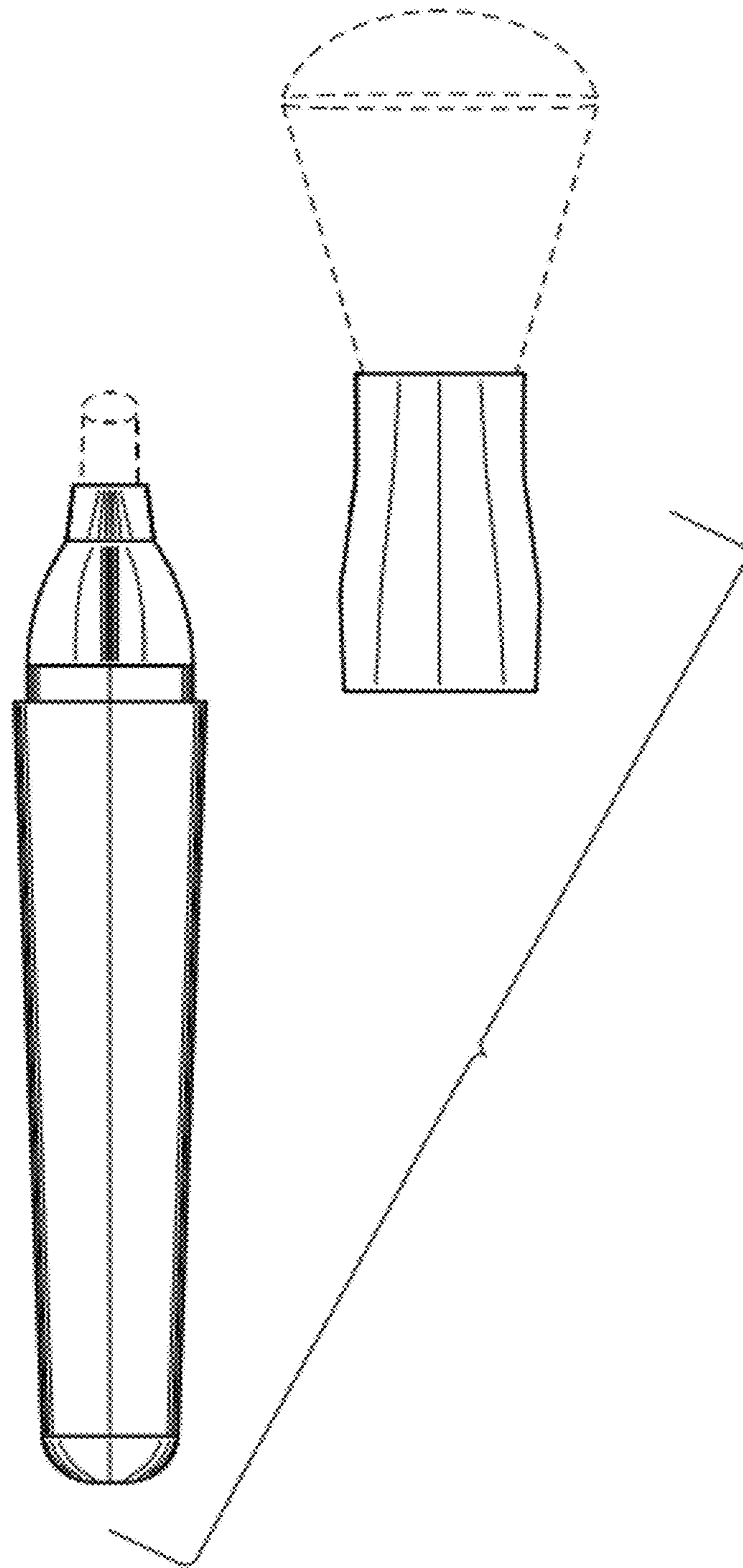


FIG. 6