



US00D658384S

(12) **United States Design Patent**  
**Pender**

(10) **Patent No.:** **US D658,384 S**

(45) **Date of Patent:** **\*\* May 1, 2012**

(54) **POWER BRUSH**

(76) Inventor: **David D. Pender**, St. Louis, MO (US)

(\*\*) Term: **14 Years**

(21) Appl. No.: **29/374,998**

(22) Filed: **Nov. 7, 2011**

(51) **LOC (9) Cl.** ..... **04-01**

(52) **U.S. Cl.** ..... **D4/102; D4/114; D4/127; D4/129**

(58) **Field of Classification Search** ..... D4/100,  
D4/102, 114, 115, 127, 129; 15/21.1, 22.1,  
15/22.2, 23, 24, 28, 29, 49.1, 50.1, 50.2,  
15/50.3, 141.1; D32/17, 19, 45, 50, 51; 16/426,  
16/444; 401/137, 138, 140, 268, 270, 277,  
401/279-281, 289

See application file for complete search history.

(56) **References Cited**

**U.S. PATENT DOCUMENTS**

588,047	A *	8/1897	Arbuckle	.....	401/277
1,994,085	A *	3/1935	Jackson	.....	401/46
2,801,431	A *	8/1957	Eastis	.....	15/29
4,404,706	A *	9/1983	Loyd	.....	15/344
5,074,004	A	12/1991	Patton et al.		
5,950,268	A	9/1999	Murphy et al.		
6,209,152	B1	4/2001	Kannenberg		
6,748,619	B2 *	6/2004	Quach	.....	15/29

7,213,289	B2	5/2007	Jaffe		
2008/0060149	A1 *	3/2008	Wu et al.	.....	15/29
2008/0201877	A1 *	8/2008	Sengewald et al.	.....	15/4

\* cited by examiner

*Primary Examiner* — Melanie H Tung

*Assistant Examiner* — Lavone D Tabor

(74) *Attorney, Agent, or Firm* — Paul R. Martin

(57) **CLAIM**

The ornamental design for a power brush, as shown and described.

**DESCRIPTION**

FIG. 1 is a perspective view of my new design for a power brush.

FIG. 2 is a front side elevational view of my new design.

FIG. 3 is a back side elevational view thereof.

FIG. 4 is a top plan view thereof.

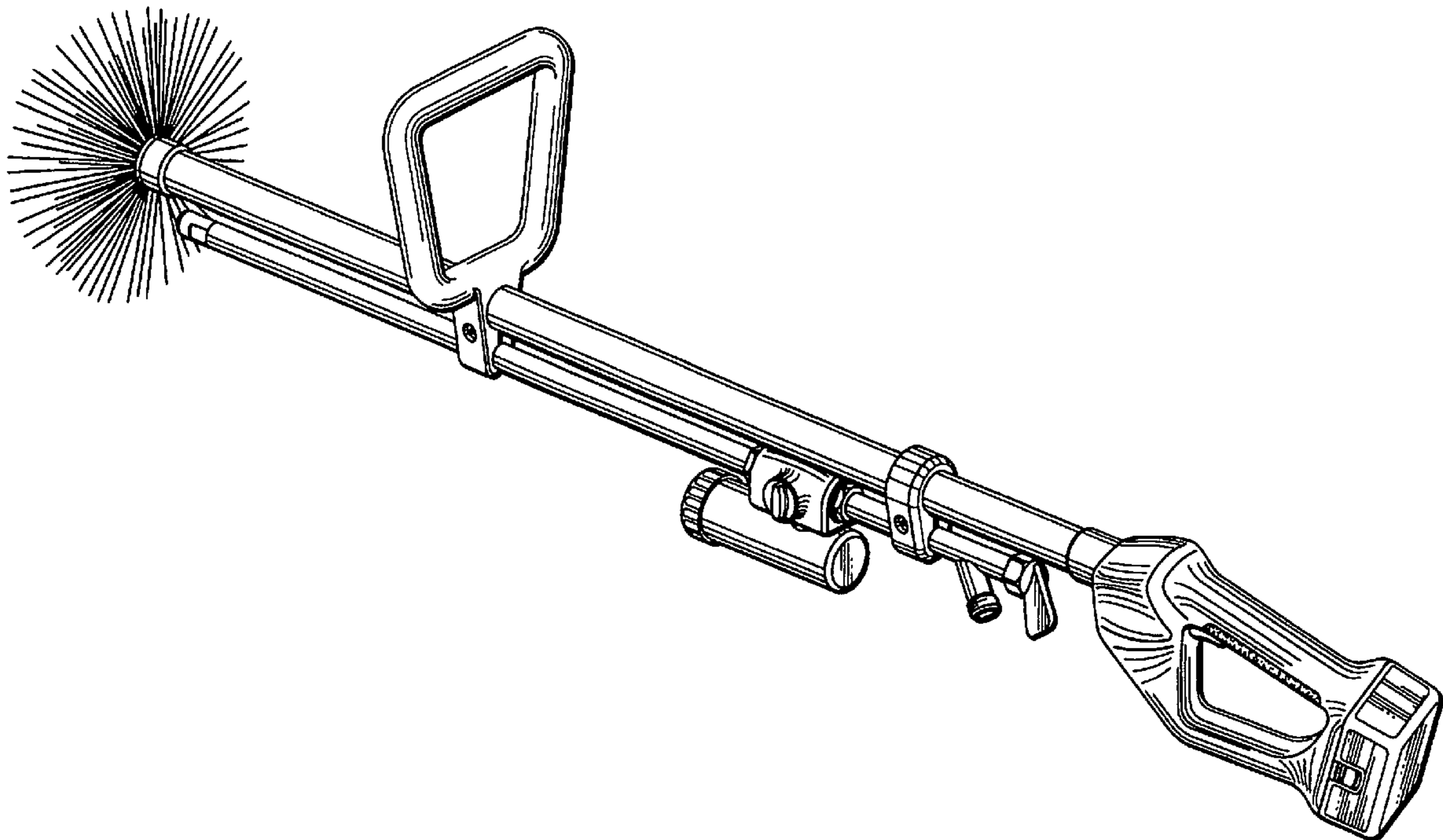
FIG. 5 is a bottom plan view thereof.

FIG. 6 is a left end elevational view of the design shown in FIG. 1; and,

FIG. 7 is a right end elevational view of the design shown in FIG. 1.

The bristles, which are partially shown for ease of illustration, are understood to be hemispherical in form.

**1 Claim, 4 Drawing Sheets**



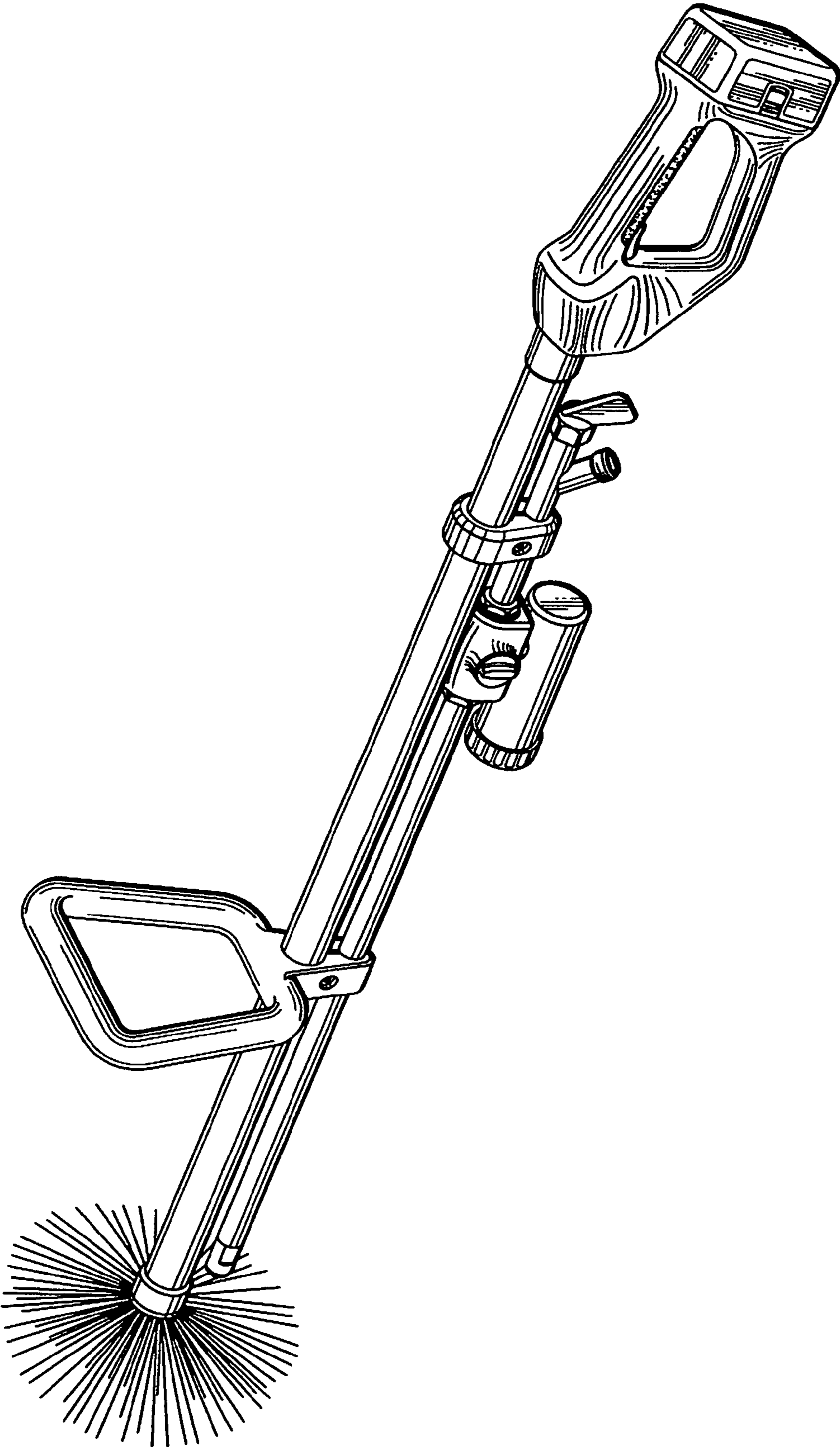


FIG. 1

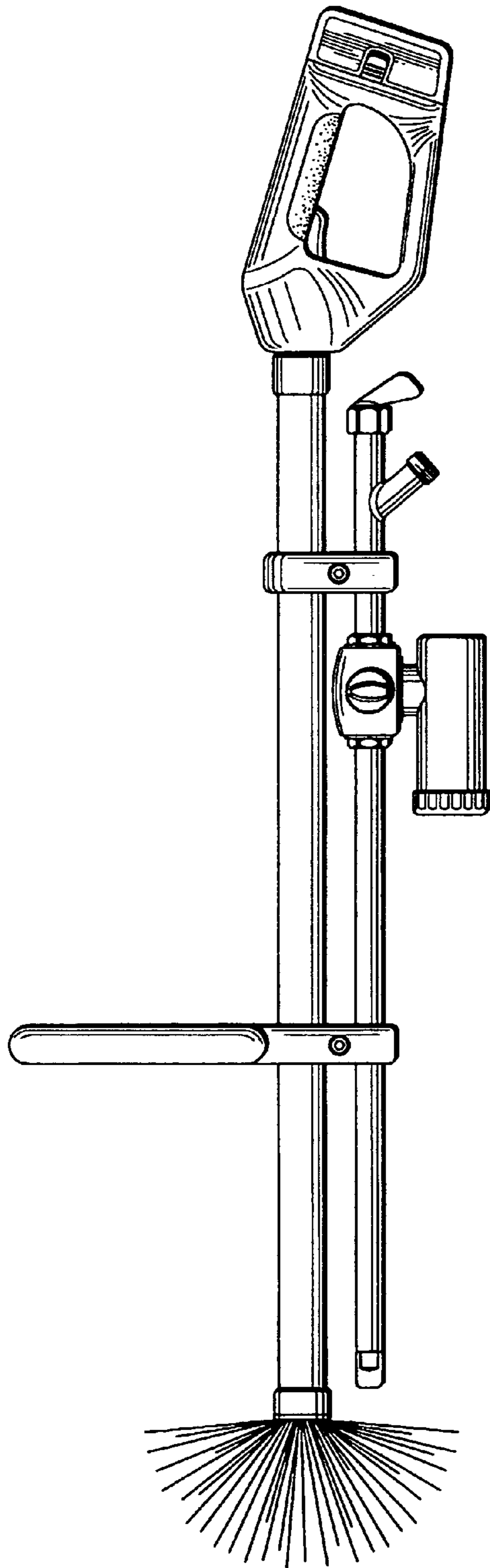


FIG. 2

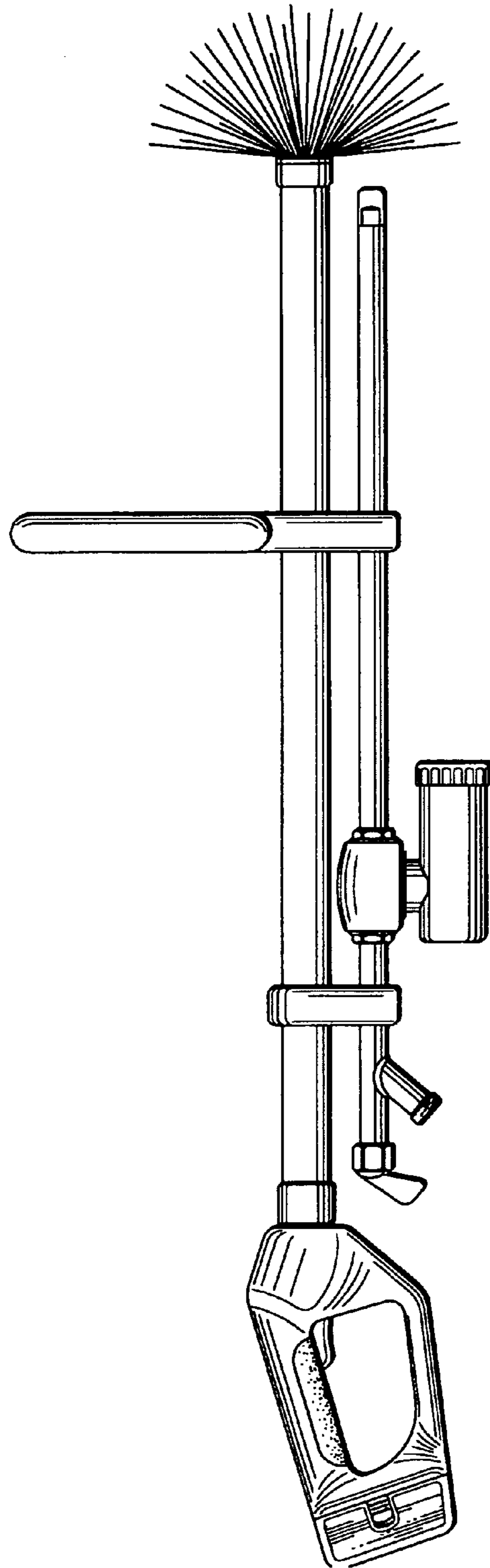


FIG. 3

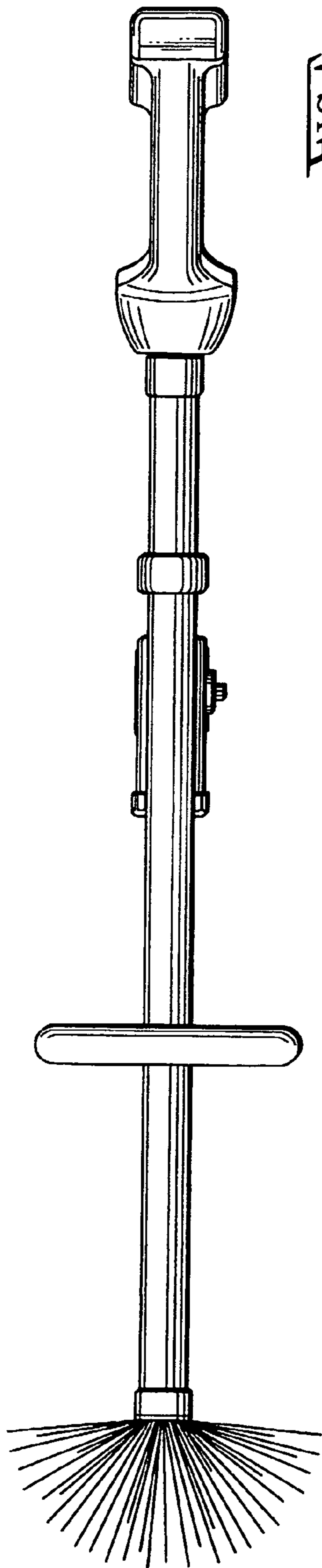


FIG. 4

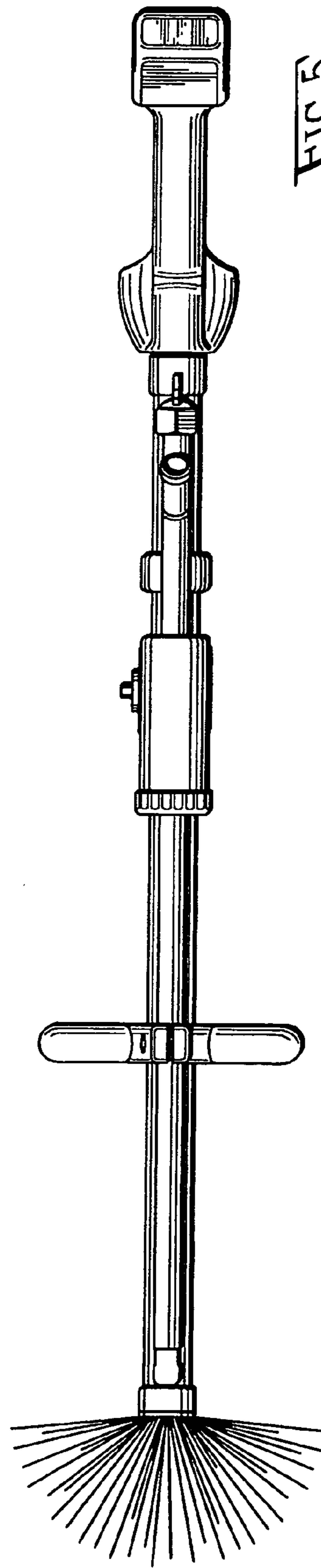


FIG. 5



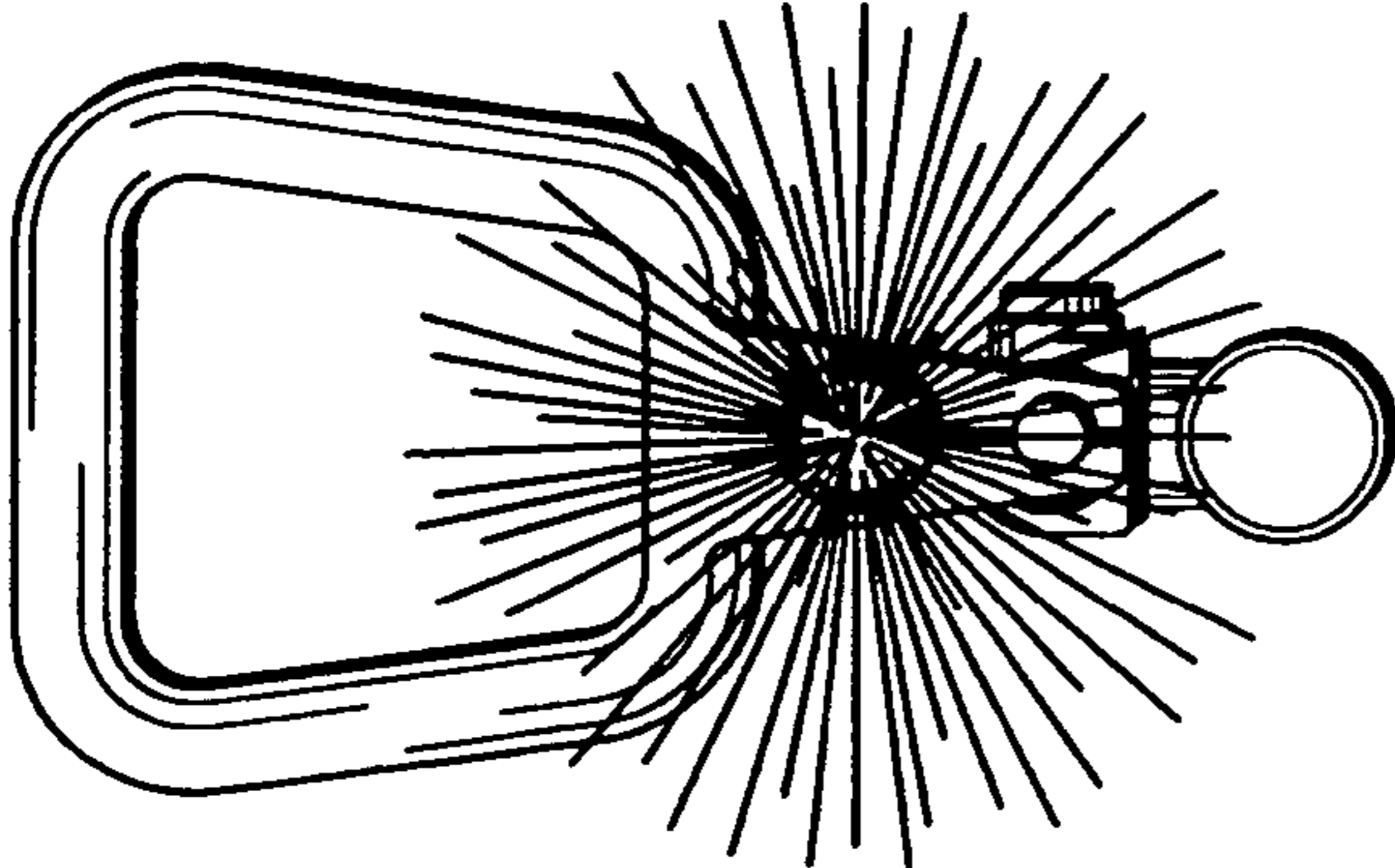


FIG. 6

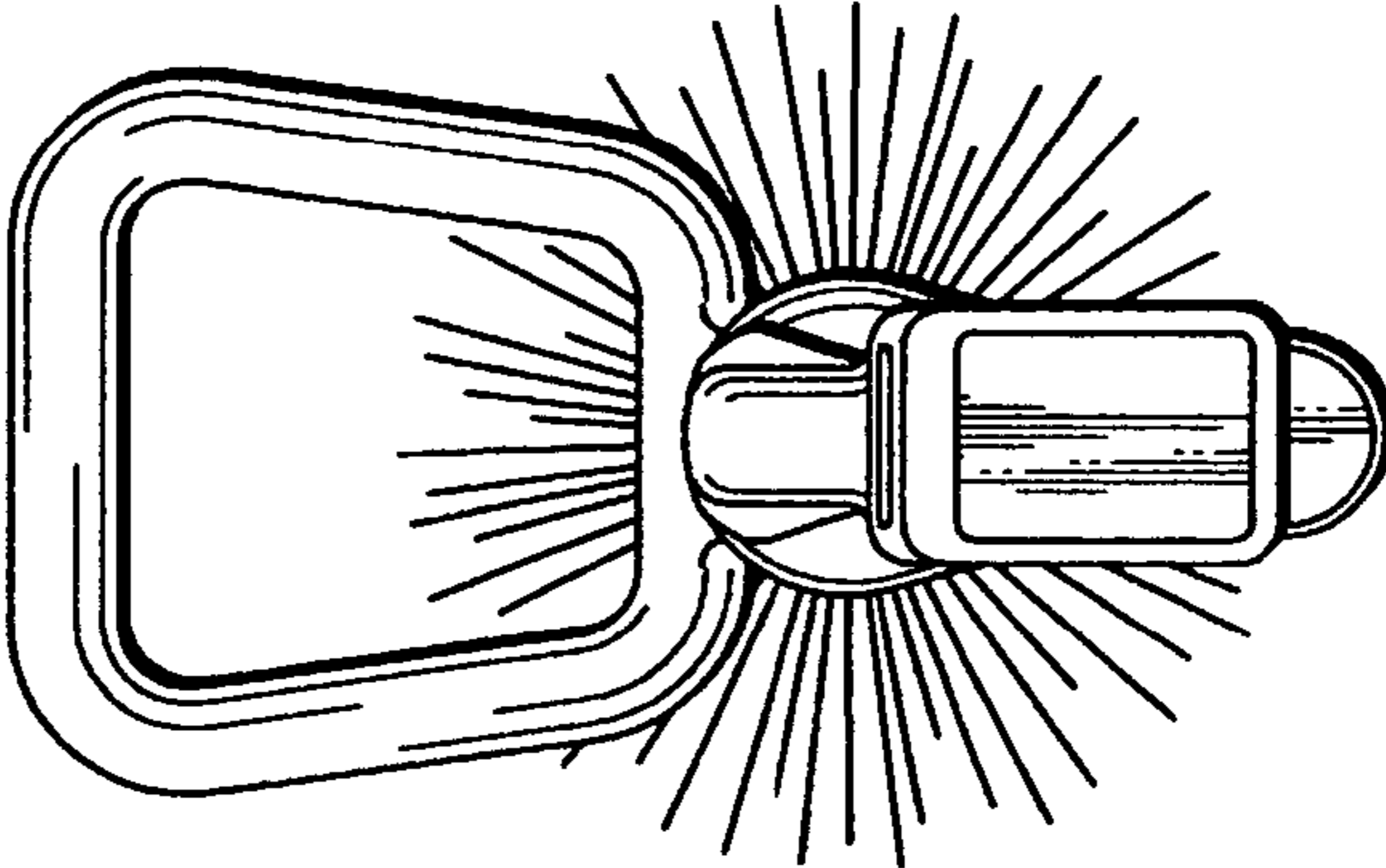


FIG. 7