



US00D658379S

(12) **United States Design Patent**  
**Pent**

(10) **Patent No.:** **US D658,379 S**

(45) **Date of Patent:** **\*\* May 1, 2012**

(54) **HANDLES FOR TOTE BAG**

2007/0130797 A1\* 6/2007 Seamans ..... 36/11.5

\* cited by examiner

(75) Inventor: **Jeremiah Pent**, Franklin, TN (US)

*Primary Examiner* — Holly Baynham

(73) Assignee: **Optari, LLC**, Brentwood, TN (US)

(74) *Attorney, Agent, or Firm* — Eric Karich

(\*\*) Term: **14 Years**

(57) **CLAIM**

(21) Appl. No.: **29/386,990**

The ornamental design for a “handles for tote bag,” as shown and described.

(22) Filed: **Mar. 8, 2011**

**DESCRIPTION**

(51) **LOC (9) Cl.** ..... **03-01**

(52) **U.S. Cl.** ..... **D3/318**

(58) **Field of Classification Search** ..... D3/232–234,  
D3/238, 240–246, 318; 150/100, 103–110,  
150/113–114, 118–119

See application file for complete search history.

FIG. 1 is a perspective view of a handles for tote bag, showing my new design;

FIG. 2 is a front elevational view thereof;

FIG. 3 is a rear elevational view thereof;

FIG. 4 is a left side elevational view thereof

FIG. 5 is a right side elevational view thereof;

FIG. 6 is a top plan view thereof; and,

FIG. 7 is a bottom plan view thereof.

The broken lines showing a handbag are for the purposes of illustrating environment and form no part of the claimed design.

(56) **References Cited**

**U.S. PATENT DOCUMENTS**

D251,574 S	*	4/1979	Molinari et al.	.....	D3/238
D251,575 S	*	4/1979	Molinari et al.	.....	D3/238
D584,506 S		1/2009	Brazzell		
D584,507 S		1/2009	Brazzell		
D584,508 S		1/2009	Brazzell		

**1 Claim, 5 Drawing Sheets**





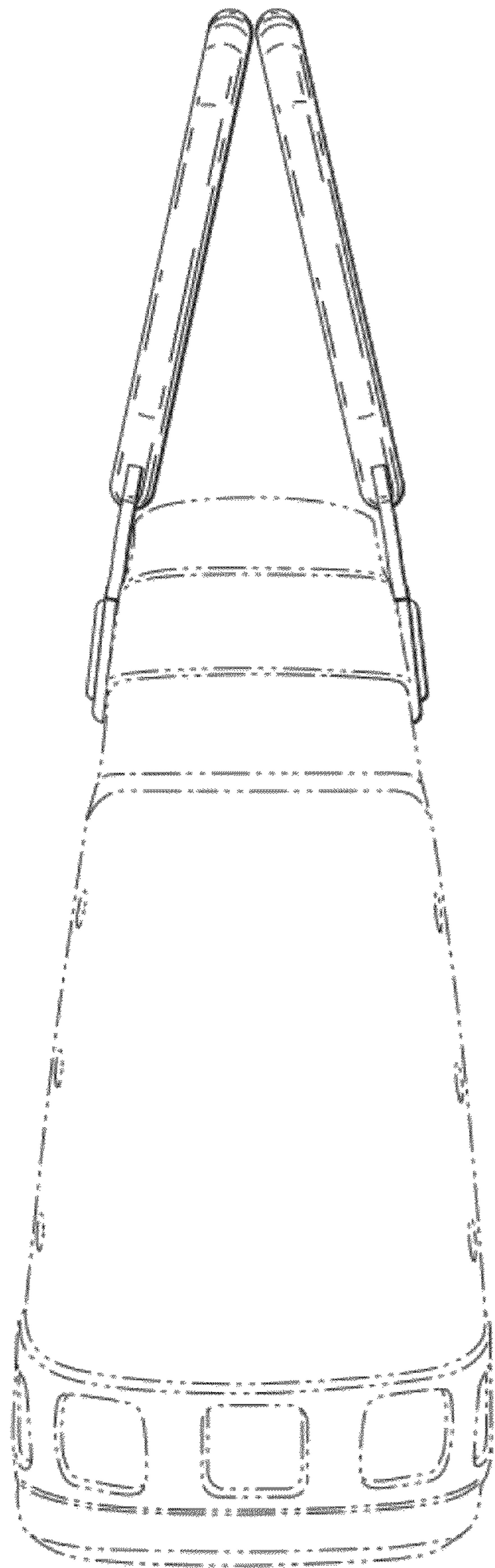
Fig. 1



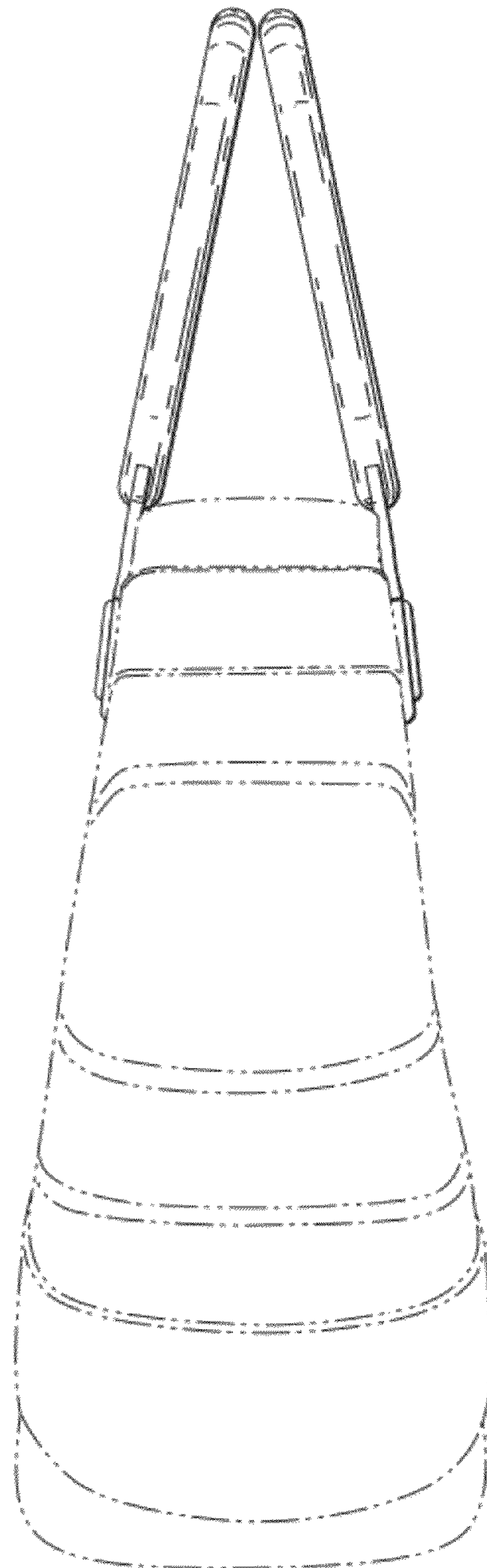
*Fig. 2*



*Fig. 3*



*Fig. 4*



*Fig. 5*

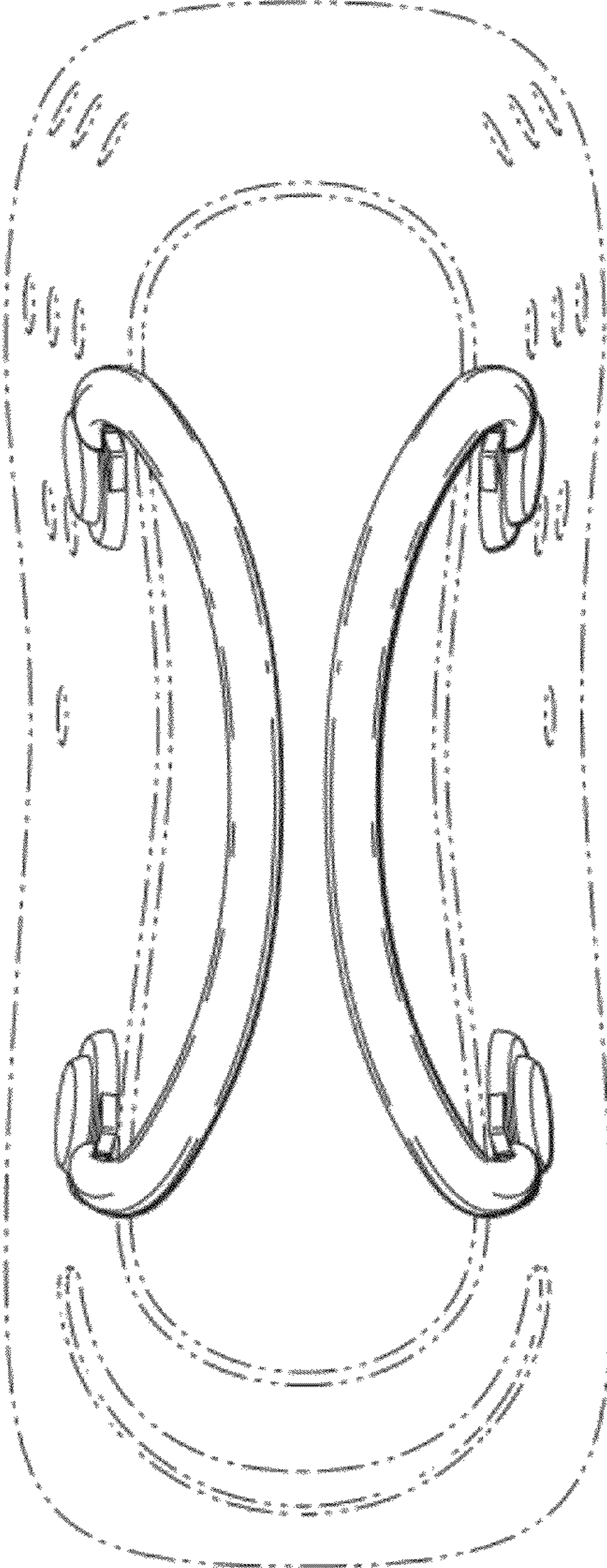


Fig. 6

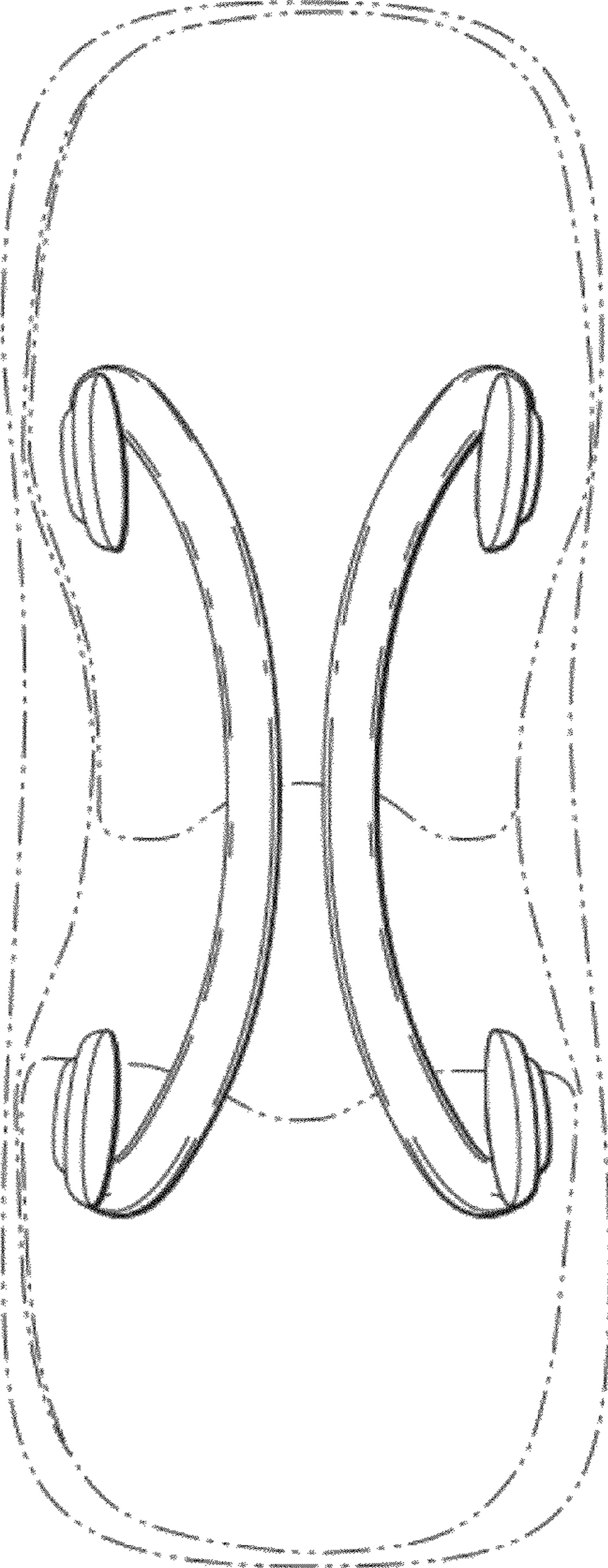


Fig. 7