



US00D658376S

(12) **United States Design Patent**
Ahlström

(10) **Patent No.:** **US D658,376 S**
(45) **Date of Patent:** **** May 1, 2012**

(54) **STORAGE BOX AND LID FOR STORAGE BOX**

(75) Inventor: **Joakim Ahlström**, Täby (SE)

(73) Assignee: **Hammarplast Consumer Aktiebolag**, Tingsryd (SE)

(**) Term: **14 Years**

(21) Appl. No.: **29/379,278**

(22) Filed: **Nov. 17, 2010**

(30) **Foreign Application Priority Data**

May 18, 2010 (EM) 001709254

(51) **LOC (9) Cl.** **03-01**

(52) **U.S. Cl.** **D3/294**

(58) **Field of Classification Search** D3/303-304,
D3/272, 284, 290, 294-295; 206/337, 503-507,
206/509-510

See application file for complete search history.

(56) **References Cited**

U.S. PATENT DOCUMENTS

D328,425 S *	8/1992	Brightbill	D3/282
D339,436 S *	9/1993	Craft et al.	D32/53
D360,778 S *	8/1995	Apt et al.	D6/448
D360,898 S *	8/1995	Huerto et al.	D19/90
D361,511 S *	8/1995	Dickinson et al.	D7/605
D381,512 S *	7/1997	Green	D3/294
D391,762 S *	3/1998	Ahern, Jr.	D3/302
D398,151 S *	9/1998	Ahern, Jr.	D3/304
D400,354 S *	11/1998	Burrows	D3/307

OTHER PUBLICATIONS

Cimco-Werkzeugfabrik—Raaco Compact 47; Raaco Compact 37 (1 page of photos).

Peli Products Barcelona (Spain) 0500 Transport Case; 0340 Cube Case (1 page of photos).

Parat GmbH & Co. KG (Germany) Profi-Line tool box; Profi-Line tool container (1 page of photos).

Ningbo Meijia (Meiqi) Tool Co., Ltd; (China); MJ-3196-24"; MJ-3056-24.5", MJ-2059-38" (3 pages of photos).

Manoplast Renk Plastik Sanayi (Turkey) "YN-15" (1 page of photos).

Alegre Valeplast s.l. (Valencia Spain) 1 page.

* cited by examiner

Primary Examiner — Holly Baynham

(74) *Attorney, Agent, or Firm* — Ladas & Parry LLP

(57) **CLAIM**

The ornamental design for a storage box, as shown and described.

DESCRIPTION

FIG. 1 is a perspective view showing the top, right and front of a storage box showing my new design;

FIG. 2 is a perspective view showing the underside, the left side, and the back thereof;

FIG. 3 is a front elevational view thereof;

FIG. 4 is a rear elevational view thereof;

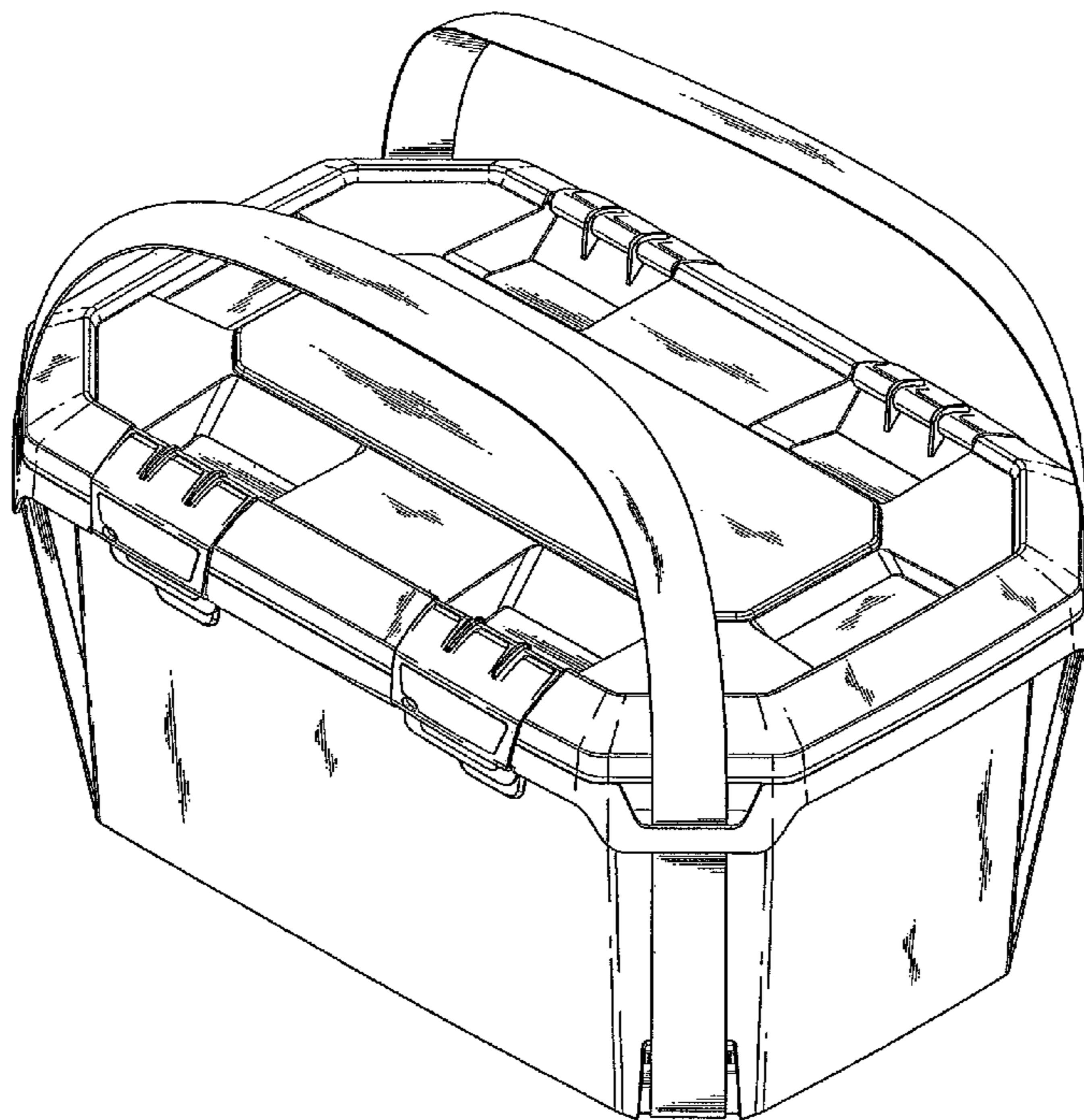
FIG. 5 is a right elevational view thereof;

FIG. 6 is a left elevational view thereof;

FIG. 7 is a top plan view thereof; and,

FIG. 8 is a bottom view thereof.

1 Claim, 8 Drawing Sheets



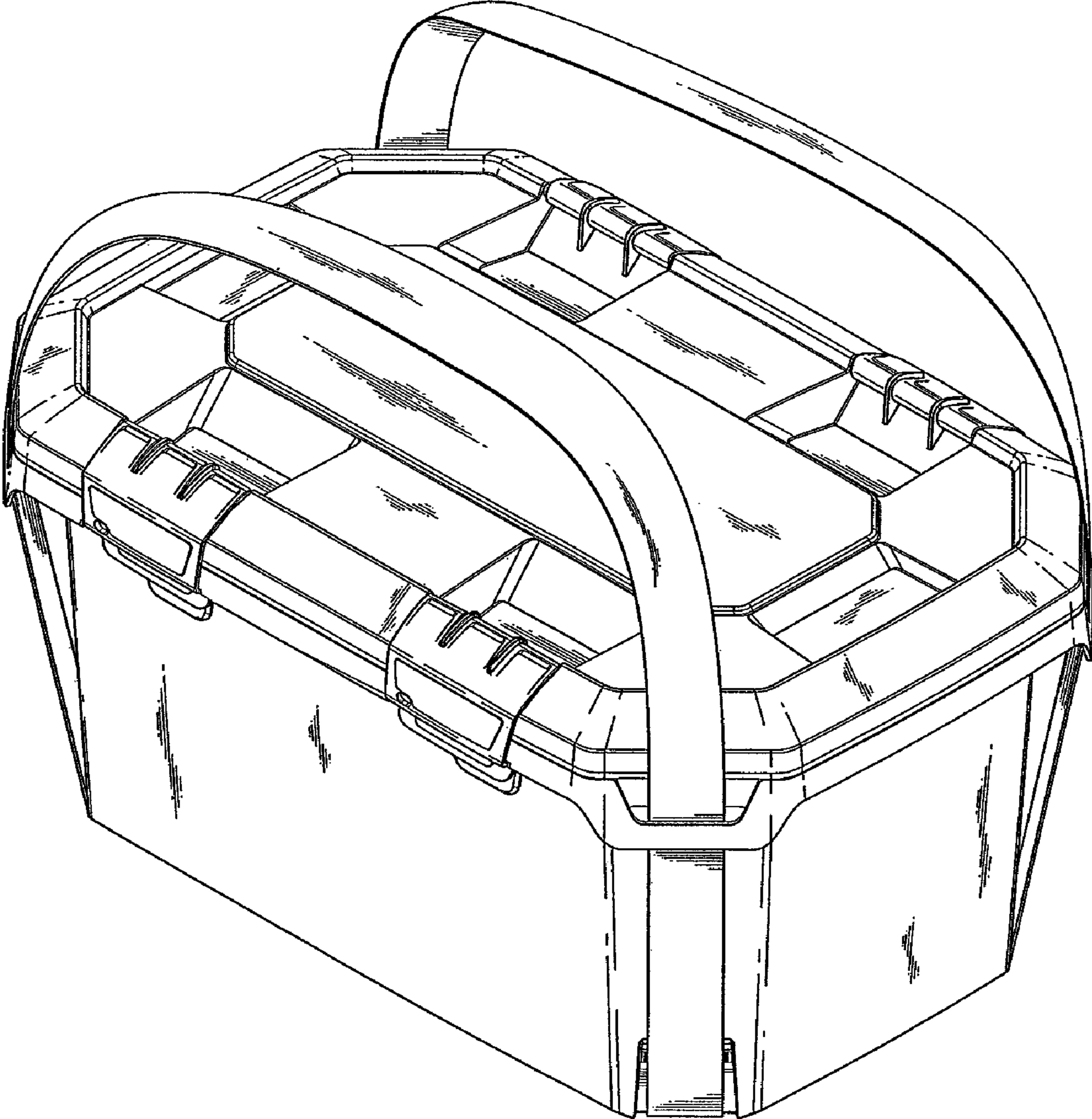


Fig. 1

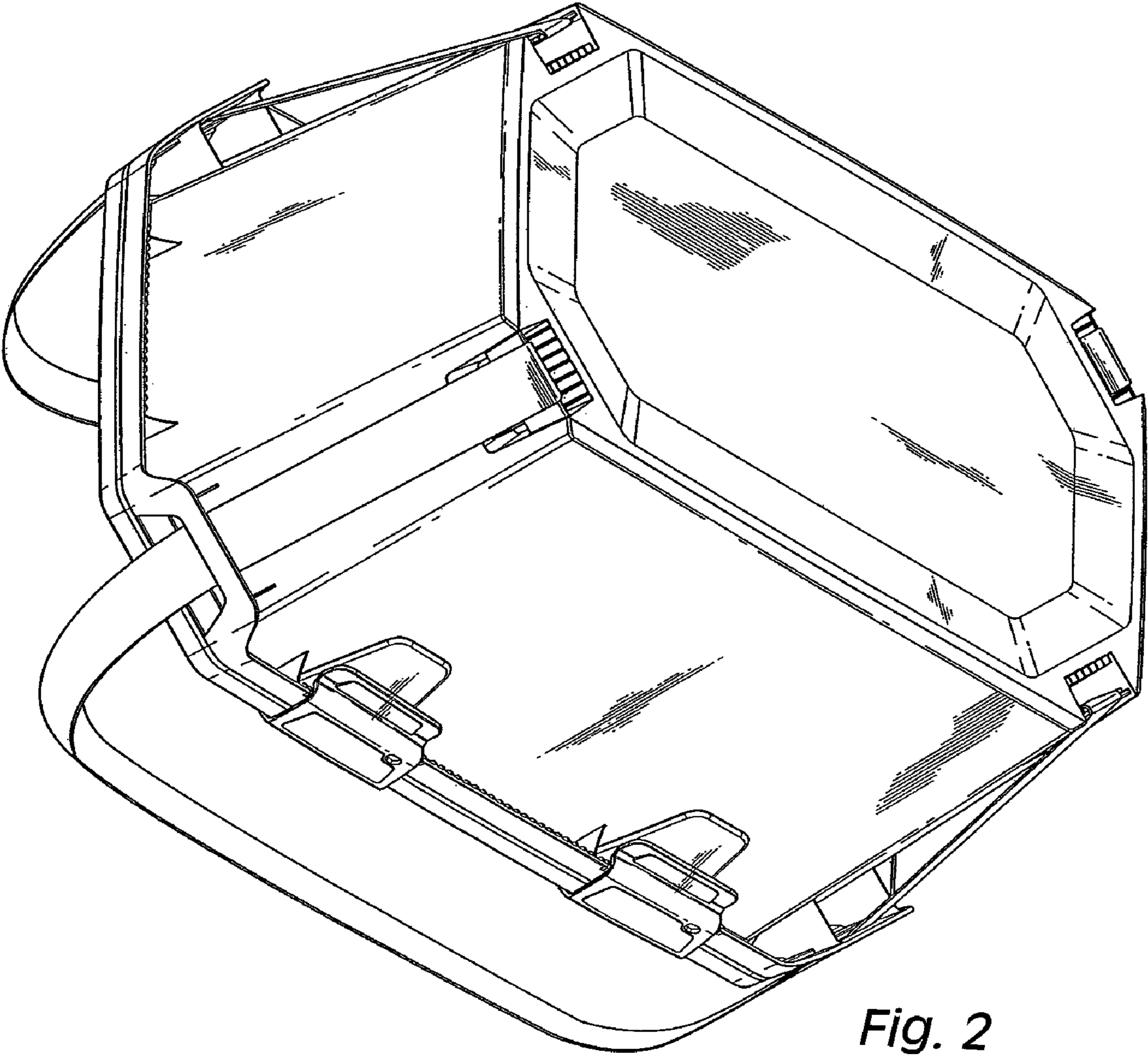


Fig. 2

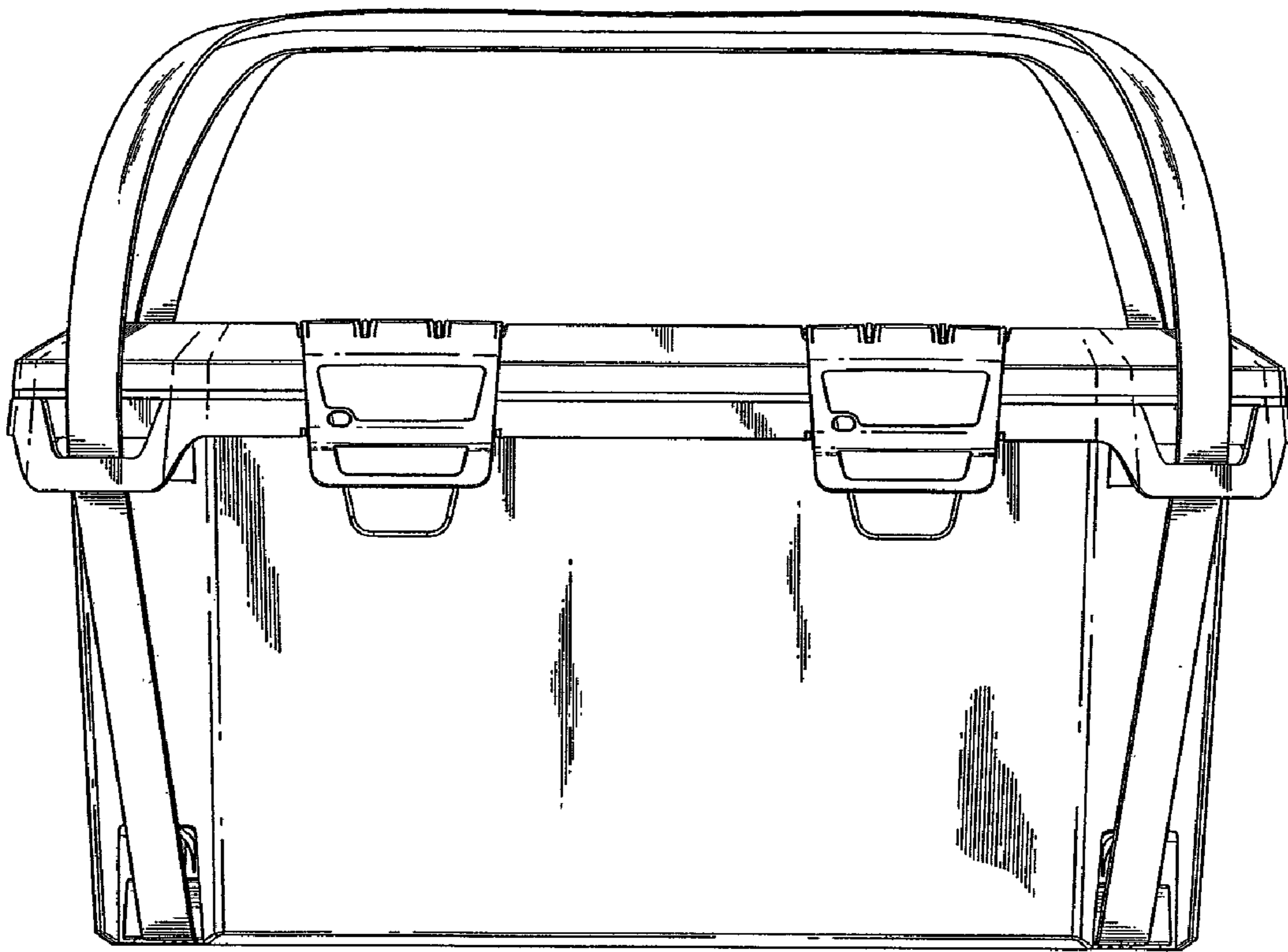


Fig. 3

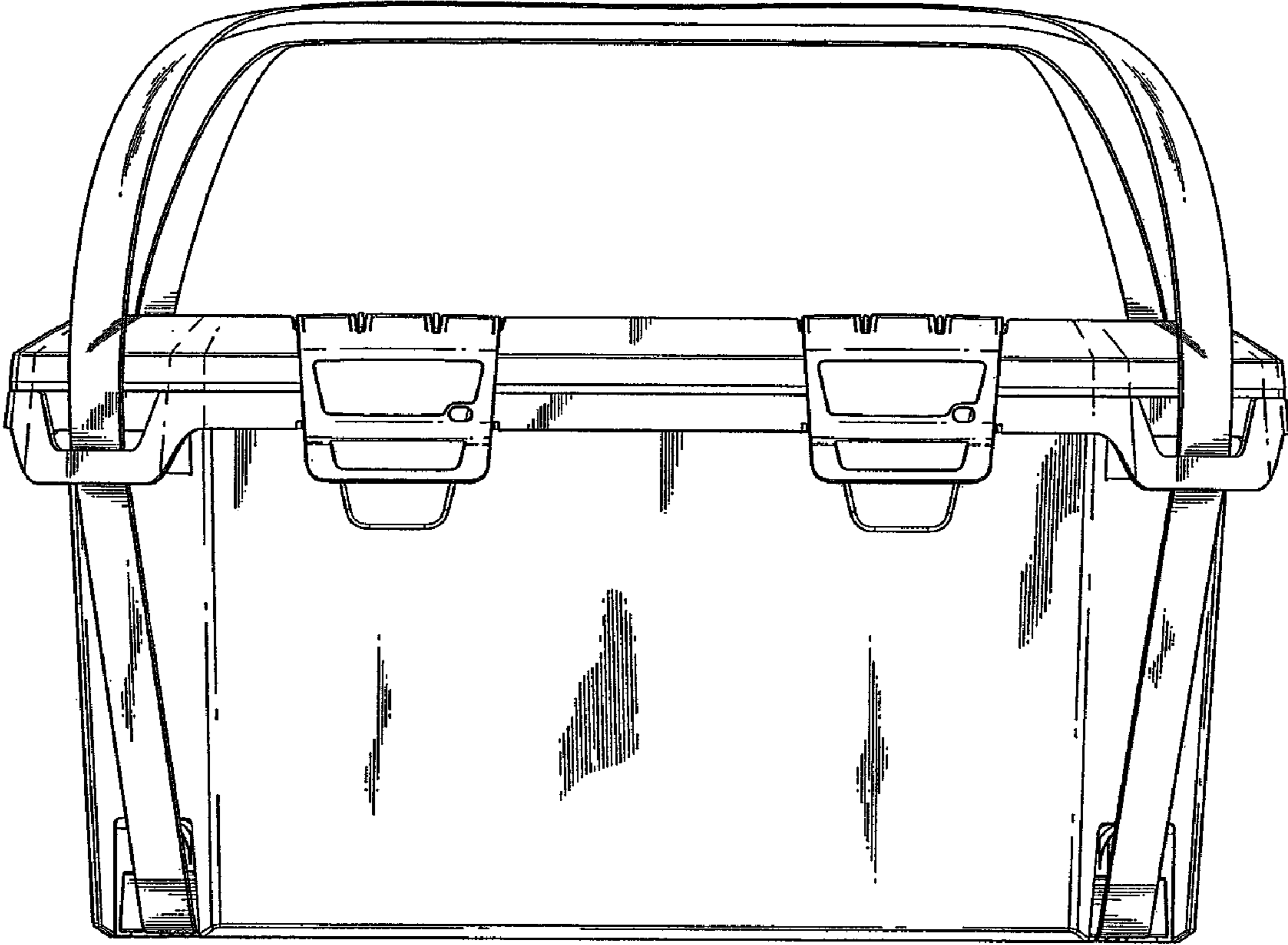


Fig. 4

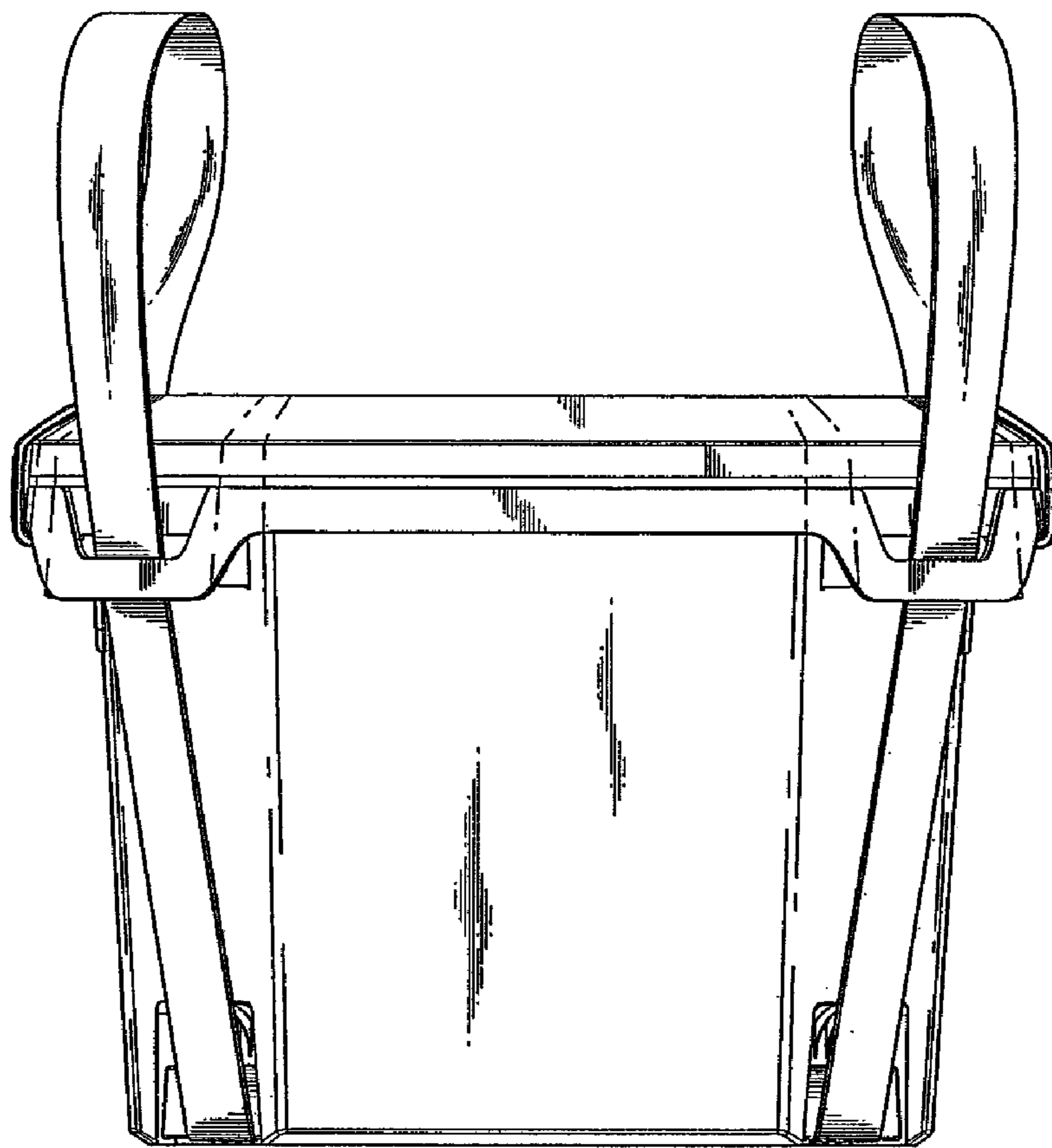


Fig. 5

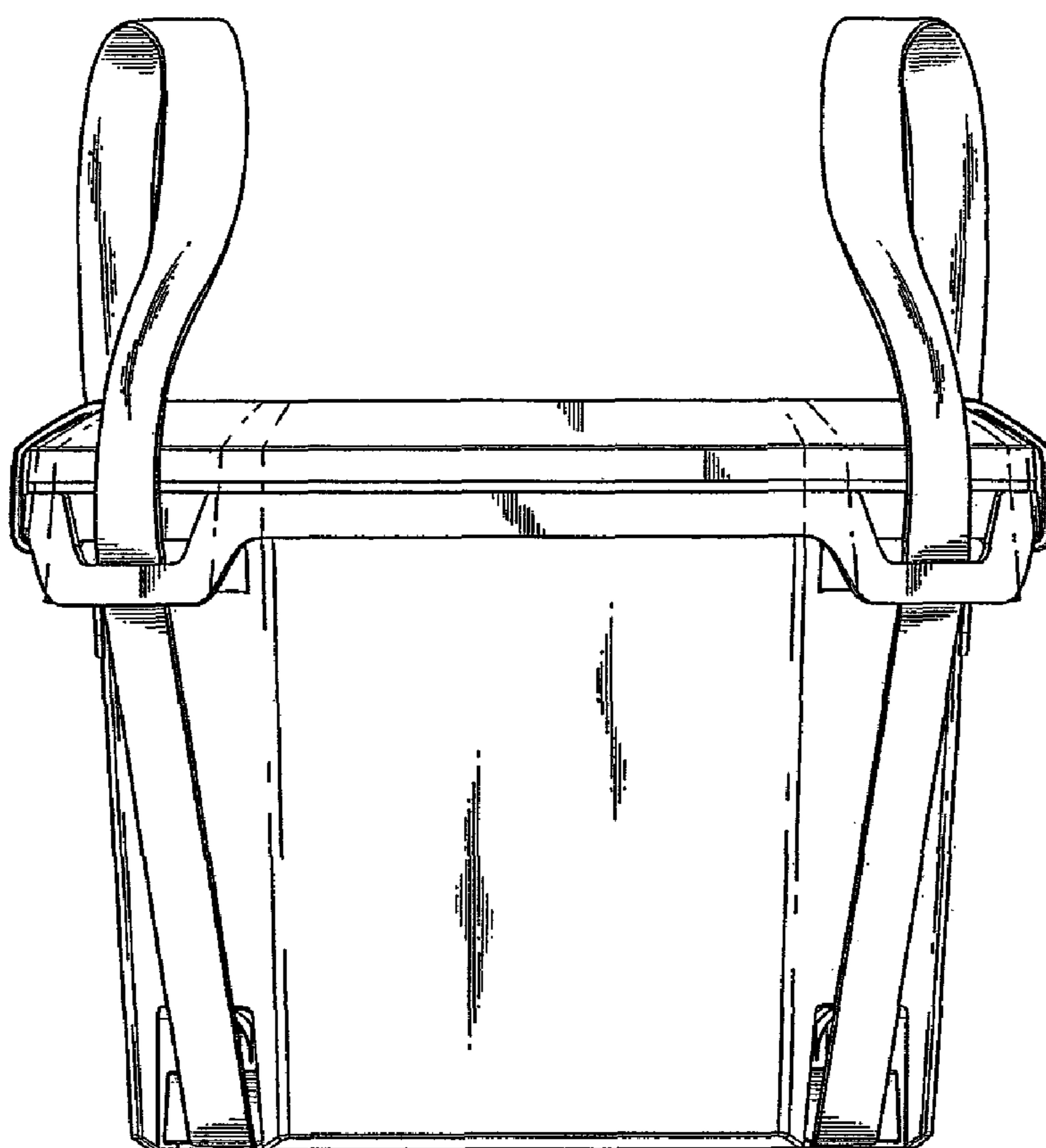


Fig. 6

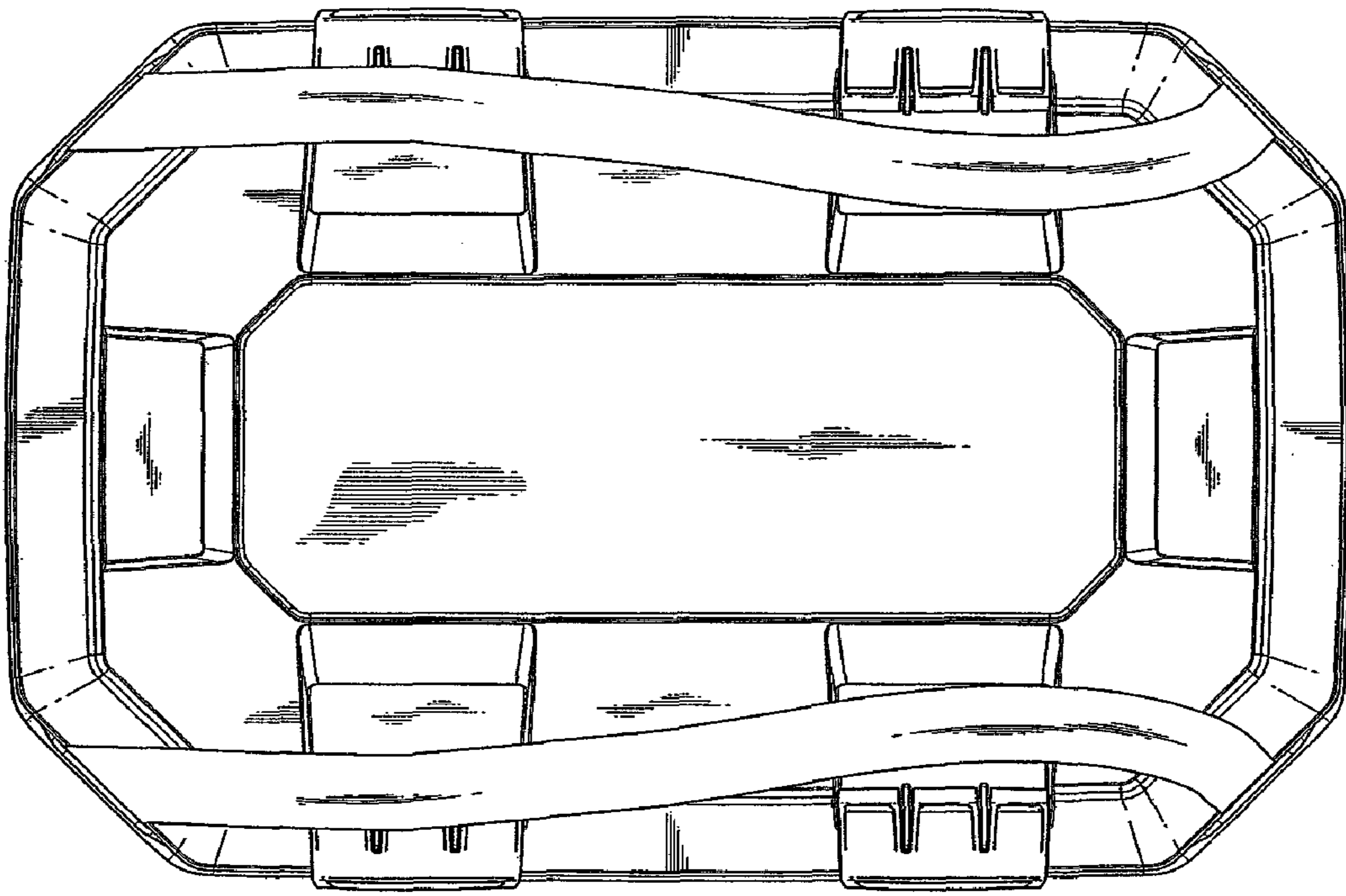


Fig. 7

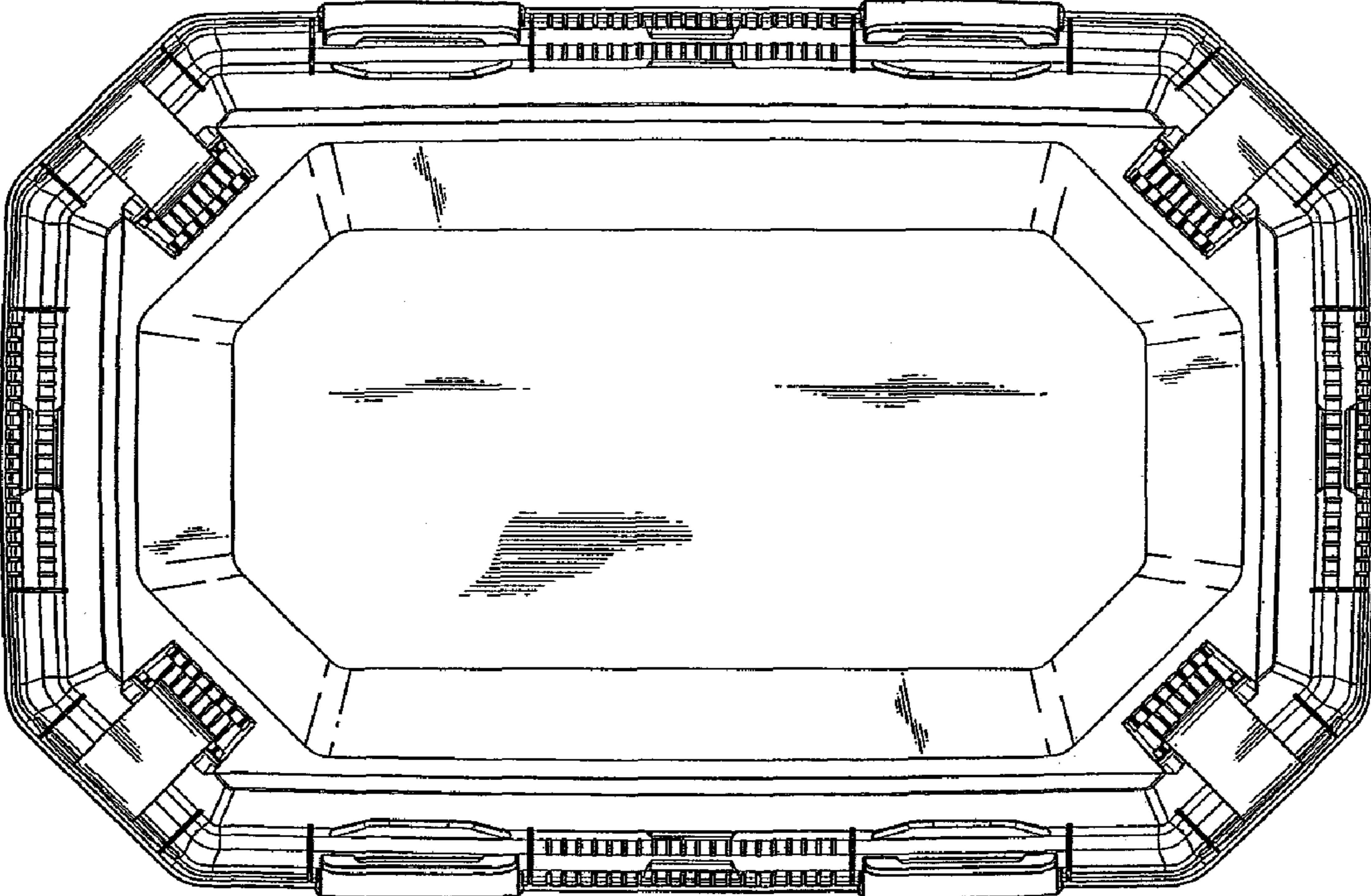


Fig. 8