



US00D658374S

(12) **United States Design Patent**
Anderson et al.

(10) **Patent No.:** **US D658,374 S**

(45) **Date of Patent:** **** May 1, 2012**

(54) **DECK BOX**

(75) Inventors: **Torrence Anderson**, Overland Park, KS
(US); **William J. Phillips**, Batavia, IL
(US); **Michael R. Vogler**, Oswego, IL
(US)

(73) Assignee: **Suncast Technologies, LLC**, Palm
Beach Gardens, FL (US)

(**) Term: **14 Years**

(21) Appl. No.: **29/384,781**

(22) Filed: **Feb. 3, 2011**

(51) **LOC (9) Cl.** **03-01**

(52) **U.S. Cl.** **D3/273**

(58) **Field of Classification Search** D3/272,
D3/273, 276, 283-288, 294; D6/440, 336,
D6/338; 190/19, 23, 24, 37, 39, 40; 220/4.28,
220/844; 297/188.08-188.13

See application file for complete search history.

(56) **References Cited**

U.S. PATENT DOCUMENTS

D389,646 S * 1/1998 Sankey et al. D3/294
D421,181 S * 2/2000 Tisbo et al. D3/273
D429,418 S * 8/2000 Tisbo et al. D3/272
D444,626 S * 7/2001 Anderson et al. D3/273

D483,190 S * 12/2003 Richardson D6/336
D495,136 S * 8/2004 Greene D3/273
D510,802 S * 10/2005 Sagol D3/273
7,028,859 B2 * 4/2006 Moon et al. 220/4.28
D577,511 S * 9/2008 Anderson et al. D6/440
D587,452 S * 3/2009 Bisson D3/272
D593,773 S * 6/2009 Richardson D6/440
D606,306 S * 12/2009 Monte D3/273
2004/0200832 A1 * 10/2004 Moon et al. 220/4.28

* cited by examiner

Primary Examiner — Jennifer Rivard

(74) *Attorney, Agent, or Firm* — McHale & Slavin, P.A.

(57) **CLAIM**

The ornamental design for a deck box, as shown and described.

DESCRIPTION

FIG. 1 is a top left perspective view of the deck box of the instant invention;

FIG. 2 is a top right perspective view thereof;

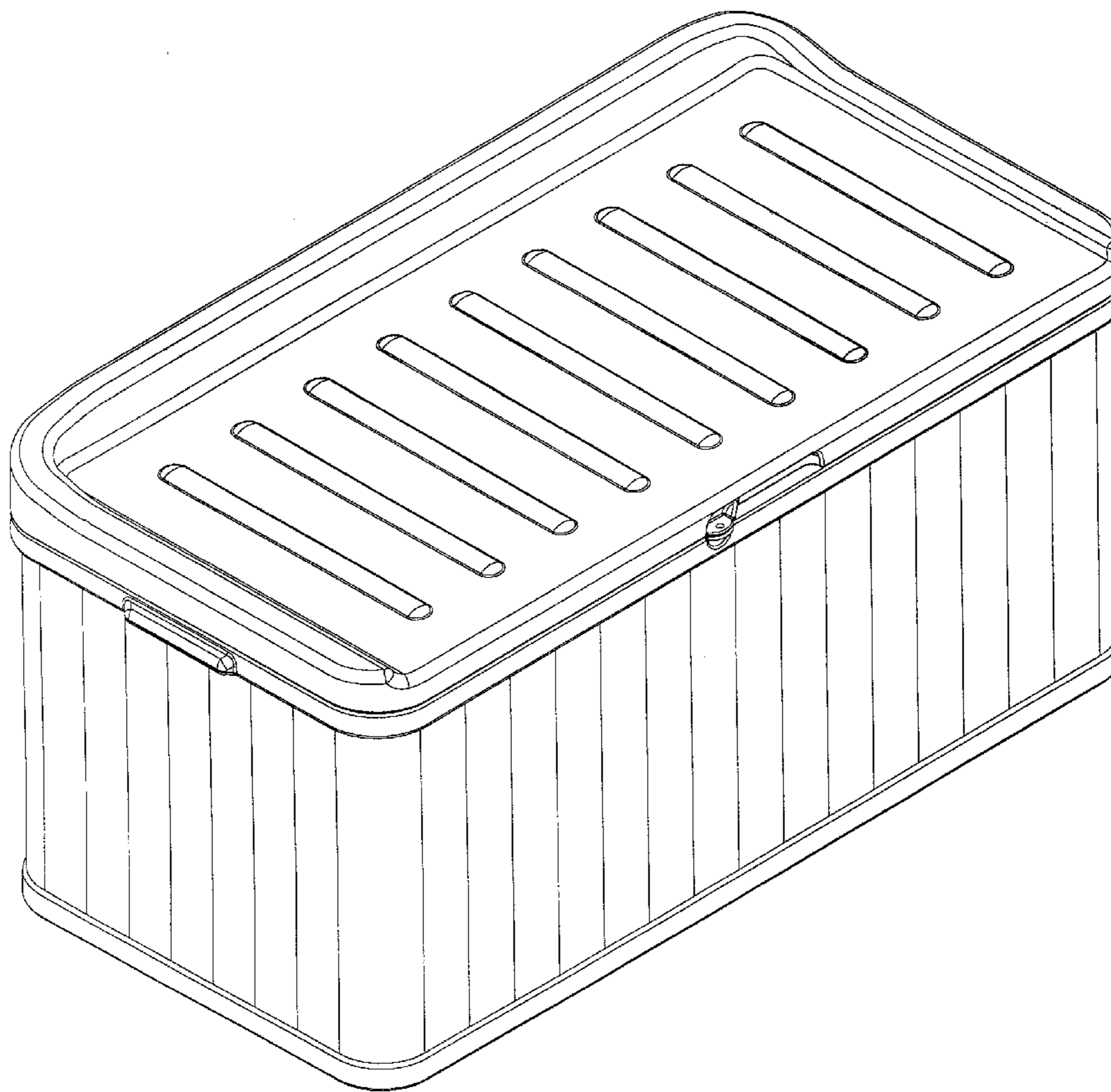
FIG. 3 is a front view thereof;

FIG. 4 is a right view thereof; and,

FIG. 5 is a left view thereof.

The broken lines shown in the drawings illustrate portions of the deck box and form no part of the claimed design.

1 Claim, 5 Drawing Sheets



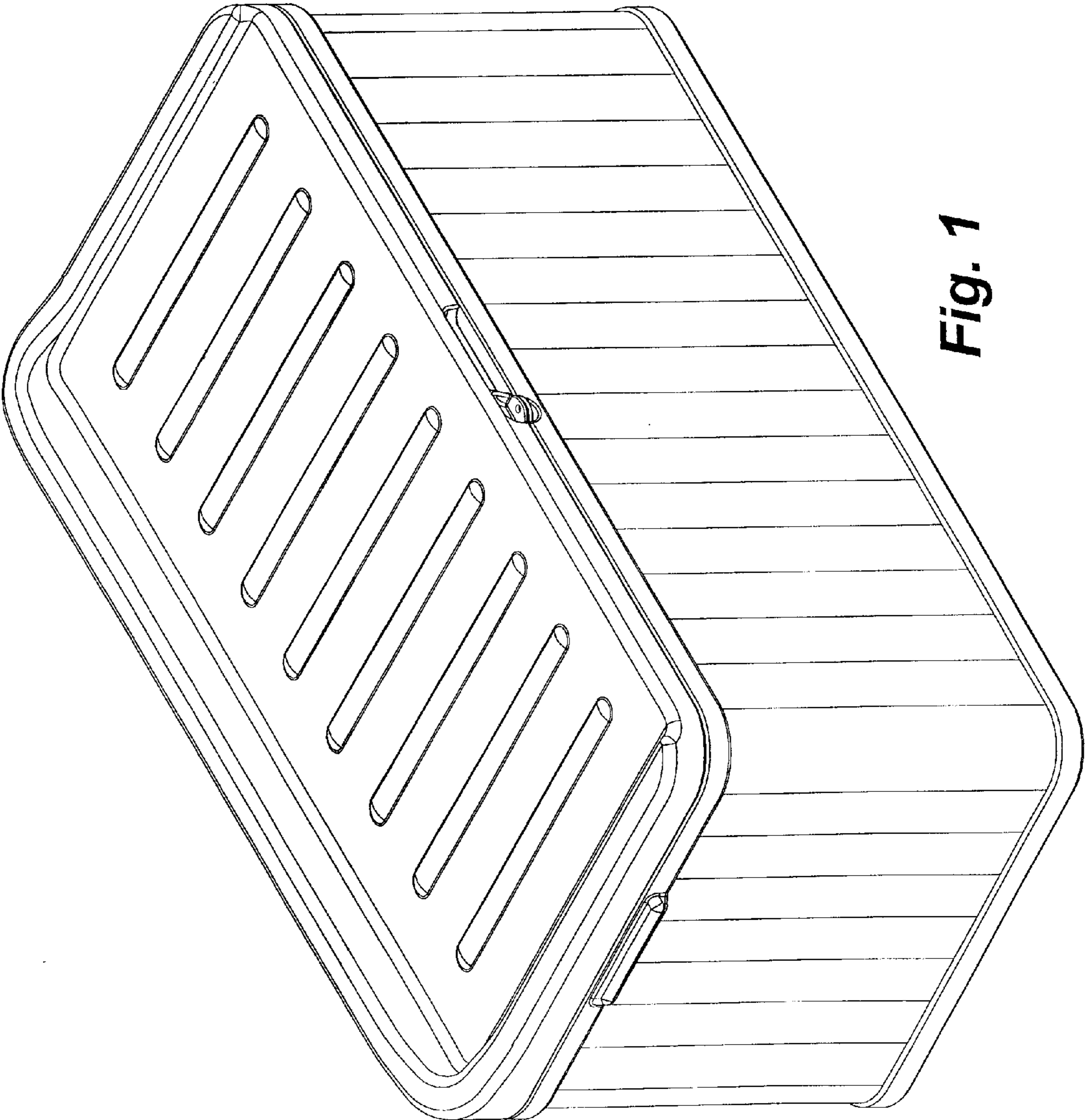


Fig. 1

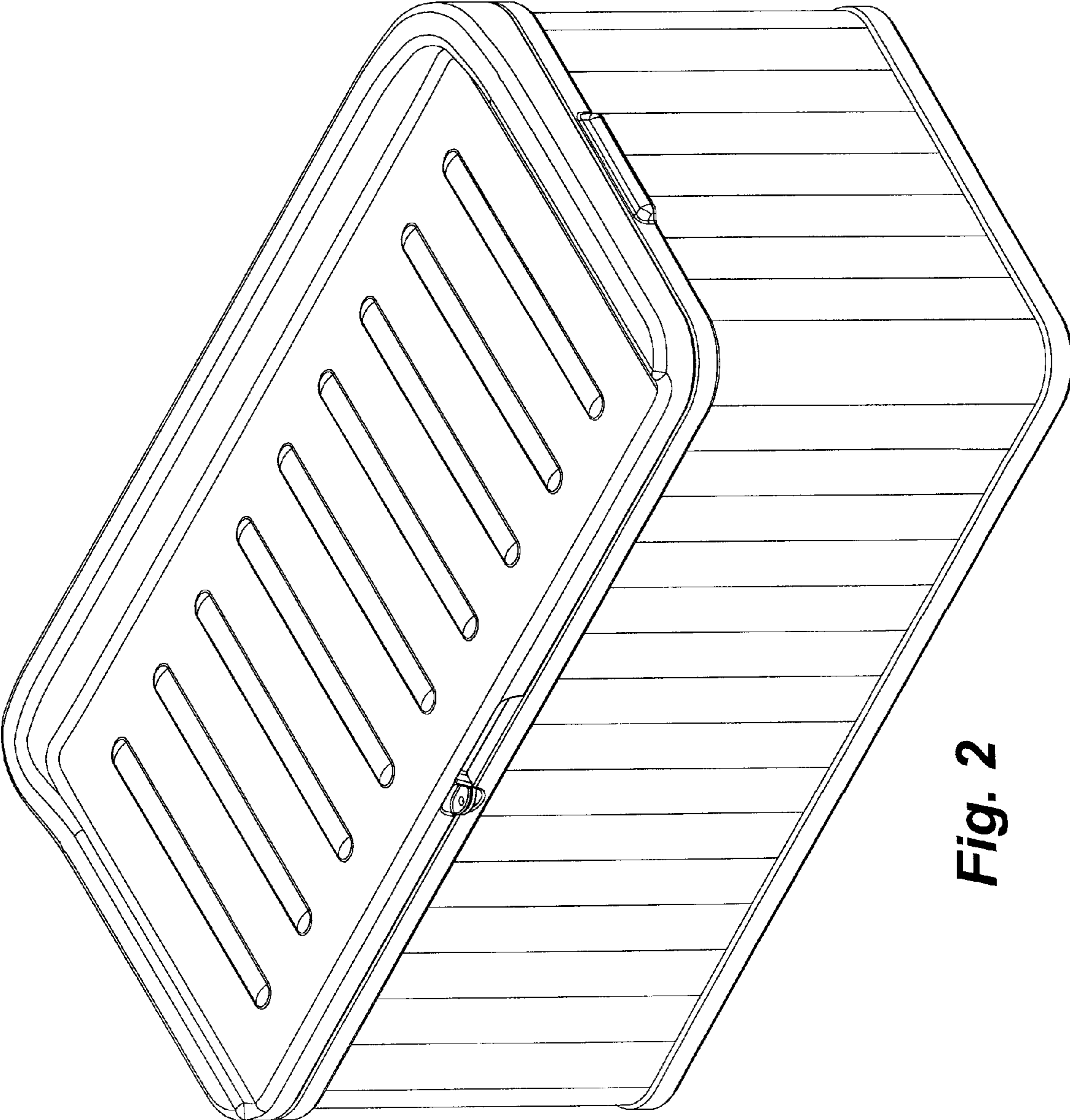


Fig. 2

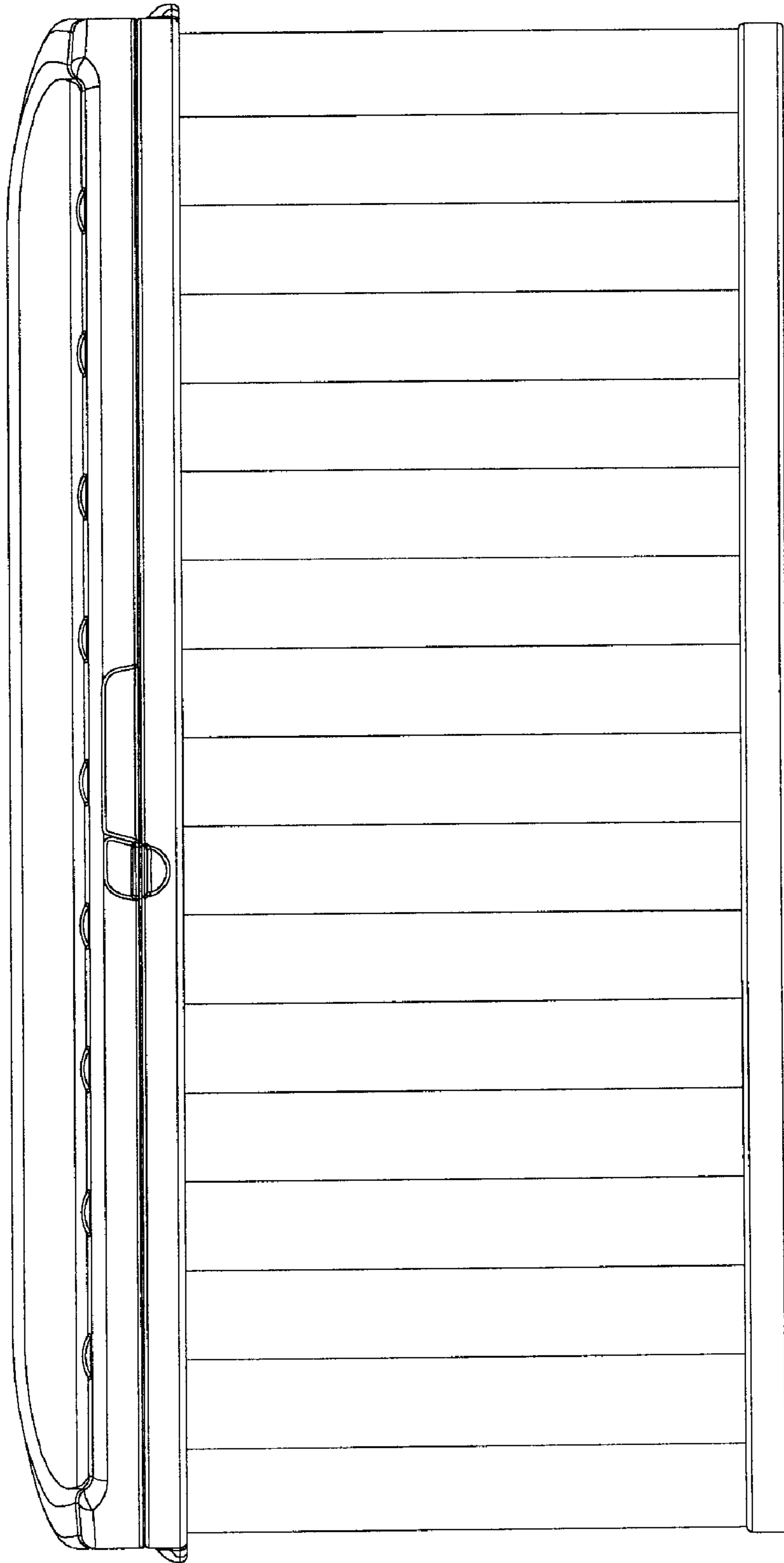


Fig. 3

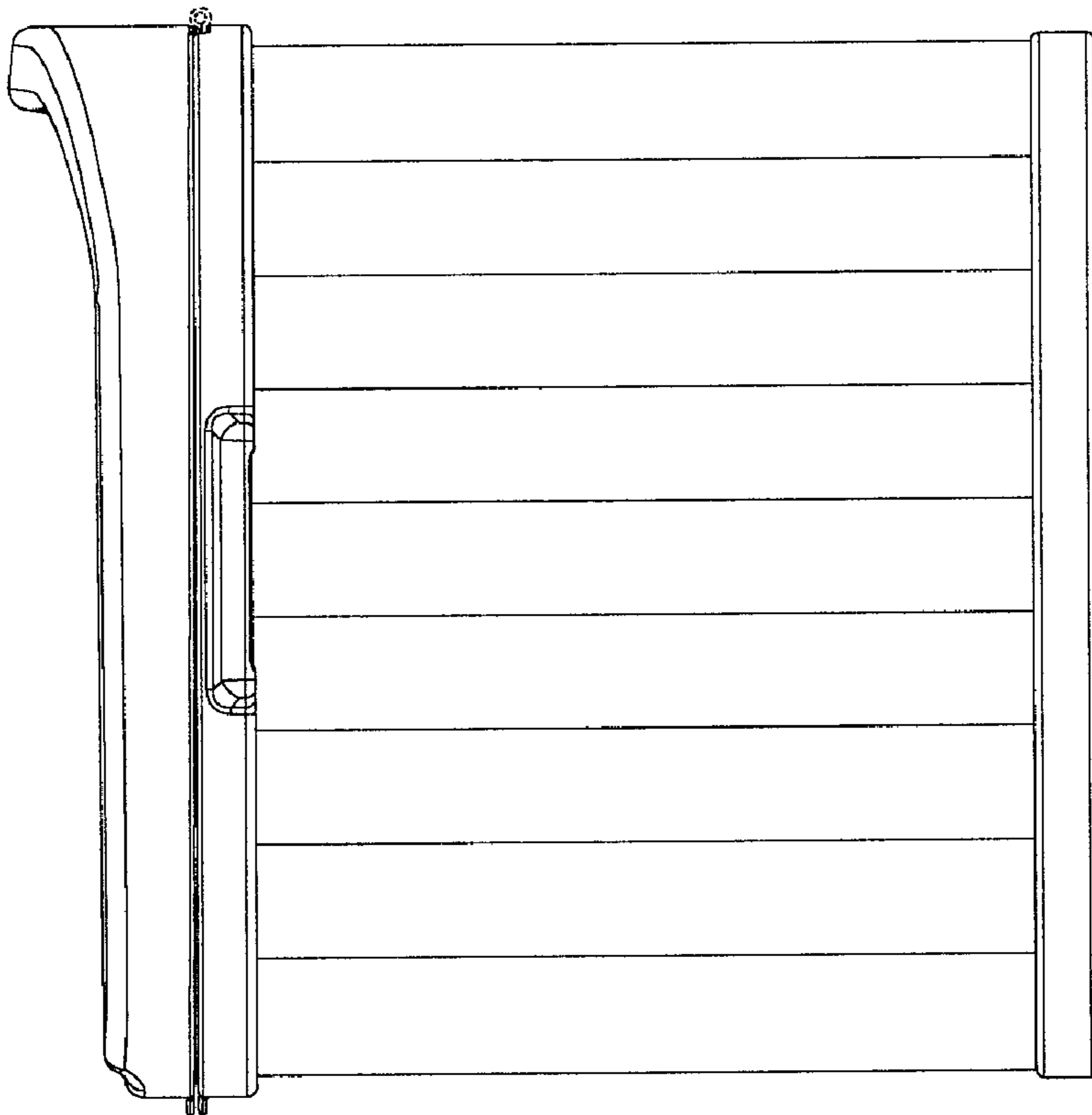


Fig. 4

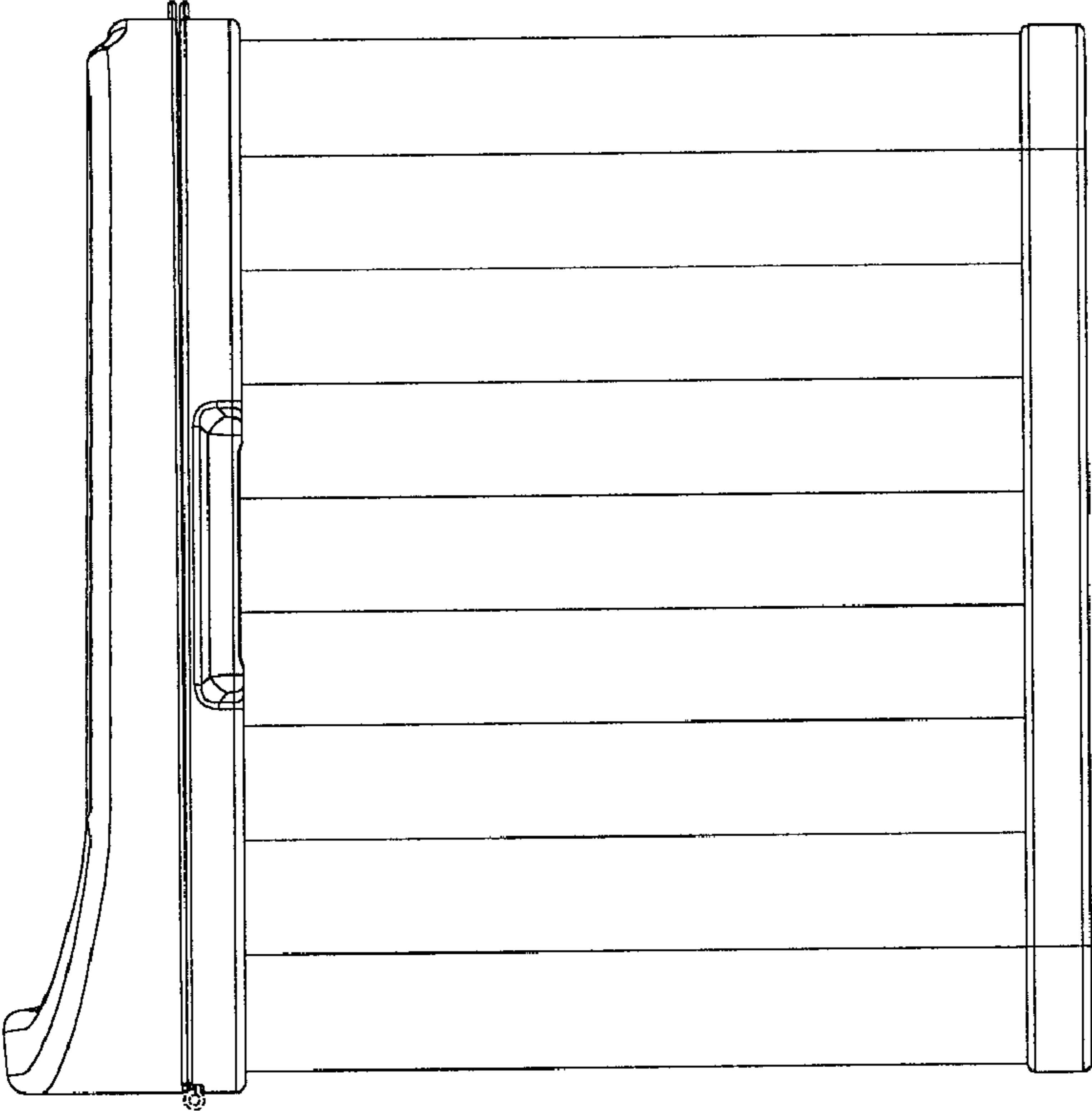


Fig. 5