



US00D658373S

(12) **United States Design Patent**  
**Gros**

(10) **Patent No.:** **US D658,373 S**

(45) **Date of Patent:** **\*\* May 1, 2012**

(54) **TOOL BOX**

(76) **Inventor:** **Eugene W. Gros, White City, OR (US)**

(\*\*) **Term:** **14 Years**

(21) **Appl. No.:** **29/382,523**

(22) **Filed:** **Jan. 5, 2011**

(51) **LOC (9) Cl.** ..... **03-01**

(52) **U.S. Cl.** ..... **D3/273; D3/905; D12/414.1**

(58) **Field of Classification Search** ..... **D3/273,**  
**D3/274, 276, 294, 905; 224/404; 206/372-379,**  
**206/349; D12/414.1; 296/37.6**

See application file for complete search history.

(56) **References Cited**

**U.S. PATENT DOCUMENTS**

4,488,669	A *	12/1984	Waters	.....	224/404
D285,673	S *	9/1986	Waters	.....	D12/414.1
4,967,944	A *	11/1990	Waters	.....	224/404
D320,372	S *	10/1991	Alberts	.....	D12/414.1
D353,046	S *	12/1994	Whitaker	.....	D3/273
D355,828	S *	2/1995	Dickinson et al.	.....	D25/63
D369,342	S *	4/1996	Williams	.....	D12/414.1
D373,247	S *	9/1996	Dickinson et al.	.....	D3/282
D419,066	S *	1/2000	Lentini	.....	D12/414.1
7,360,817	B2 *	4/2008	Schwalie et al.	.....	224/404

D611,252	S *	3/2010	Fiscus	.....	D3/294
D630,015	S *	1/2011	Weng et al.	.....	D3/276
D645,661	S *	9/2011	Marsh	.....	D3/272

\* cited by examiner

*Primary Examiner* — Jennifer Rivard

(74) *Attorney, Agent, or Firm* — QuickPatents, Inc.; Kevin Prince

(57) **CLAIM**

What is claimed is the ornamental design for a tool box, as shown and described.

**DESCRIPTION**

FIG. 1 is a perspective view of a tool box, showing the new design;

FIG. 2 is a front elevational view thereof;

FIG. 3 is a rear elevational view thereof;

FIG. 4 is a left-side elevational view thereof;

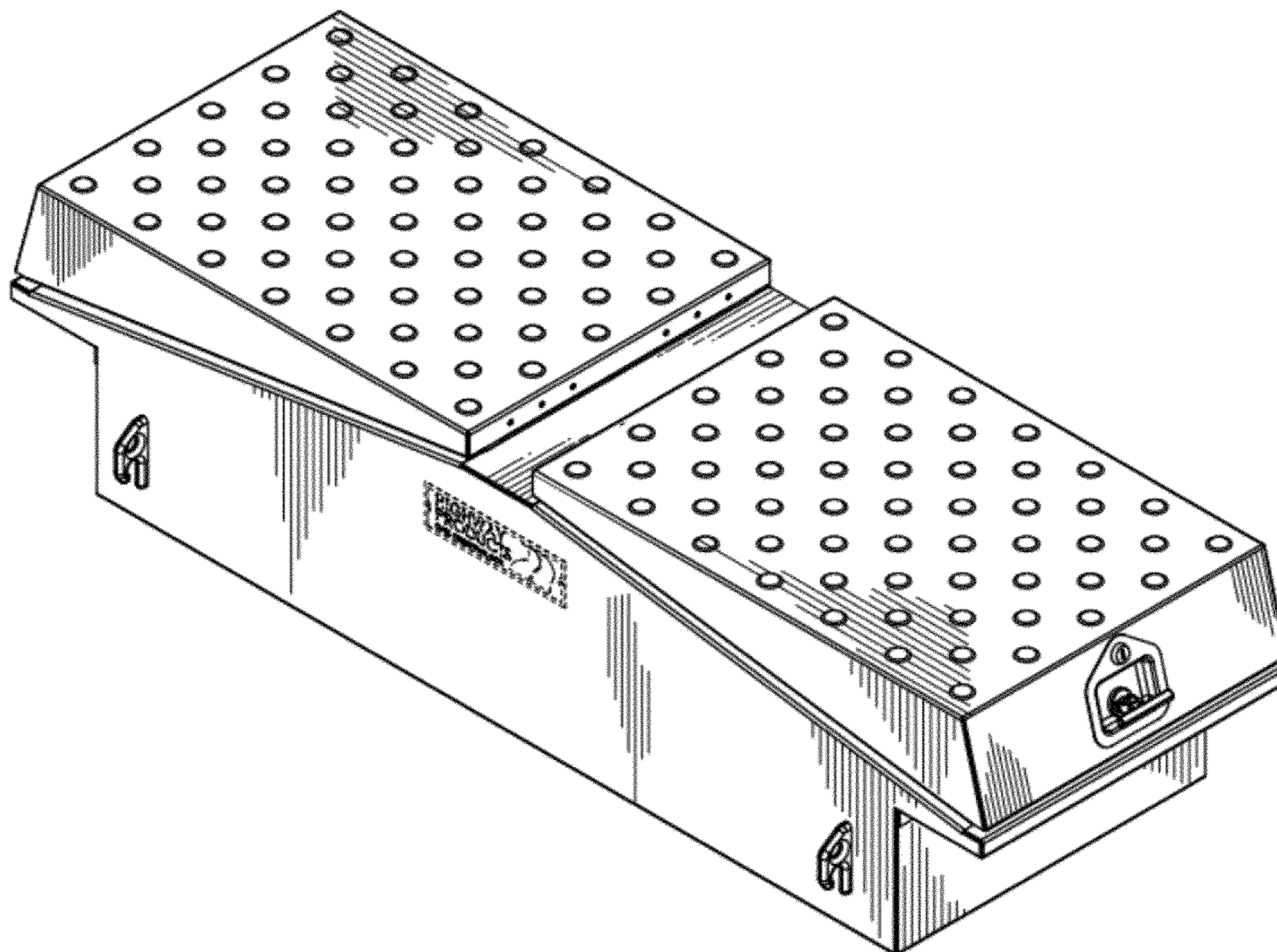
FIG. 5 is a right-side elevational view thereof;

FIG. 6 is a top plan view thereof; and,

FIG. 7 is a bottom plan view thereof.

The broken lines showing a logo plate in FIG. 1 are included for the purpose of illustrating environmental matter, and form no part of the claimed design.

**1 Claim, 3 Drawing Sheets**



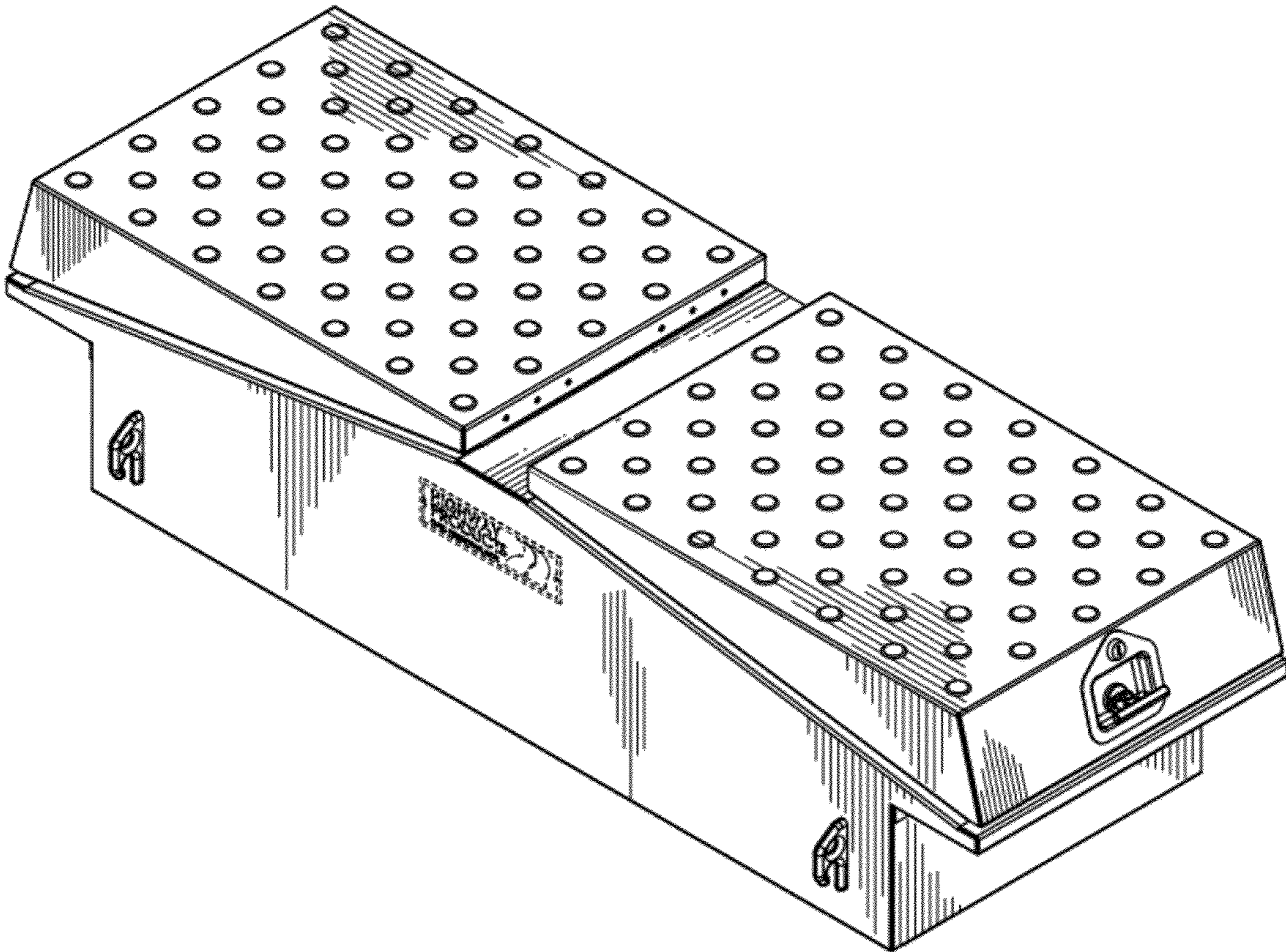


FIG. 1

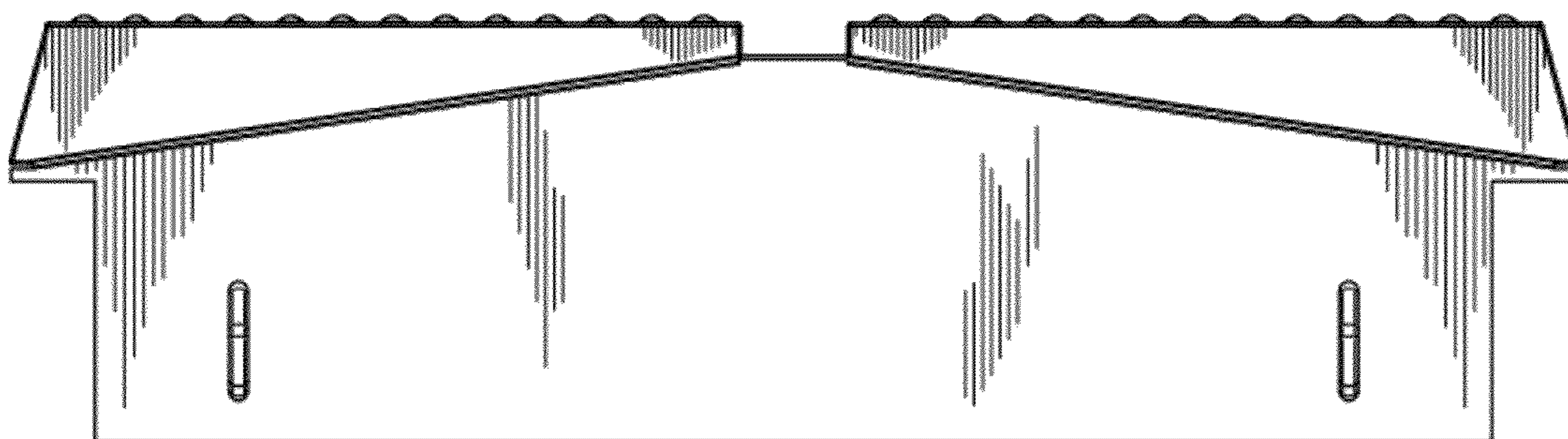


FIG. 2

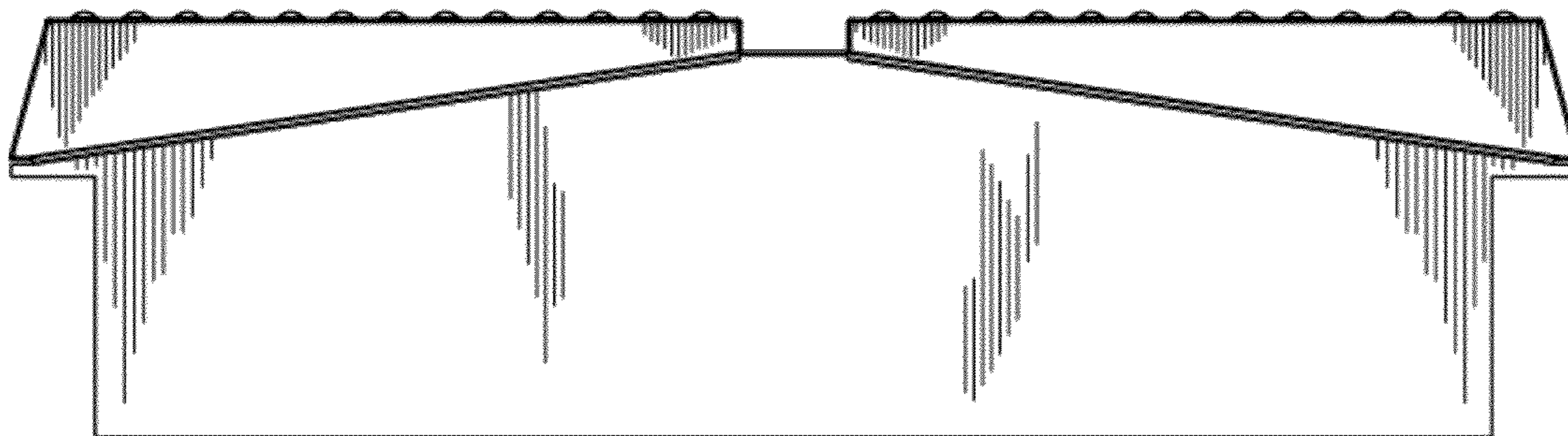


FIG. 3

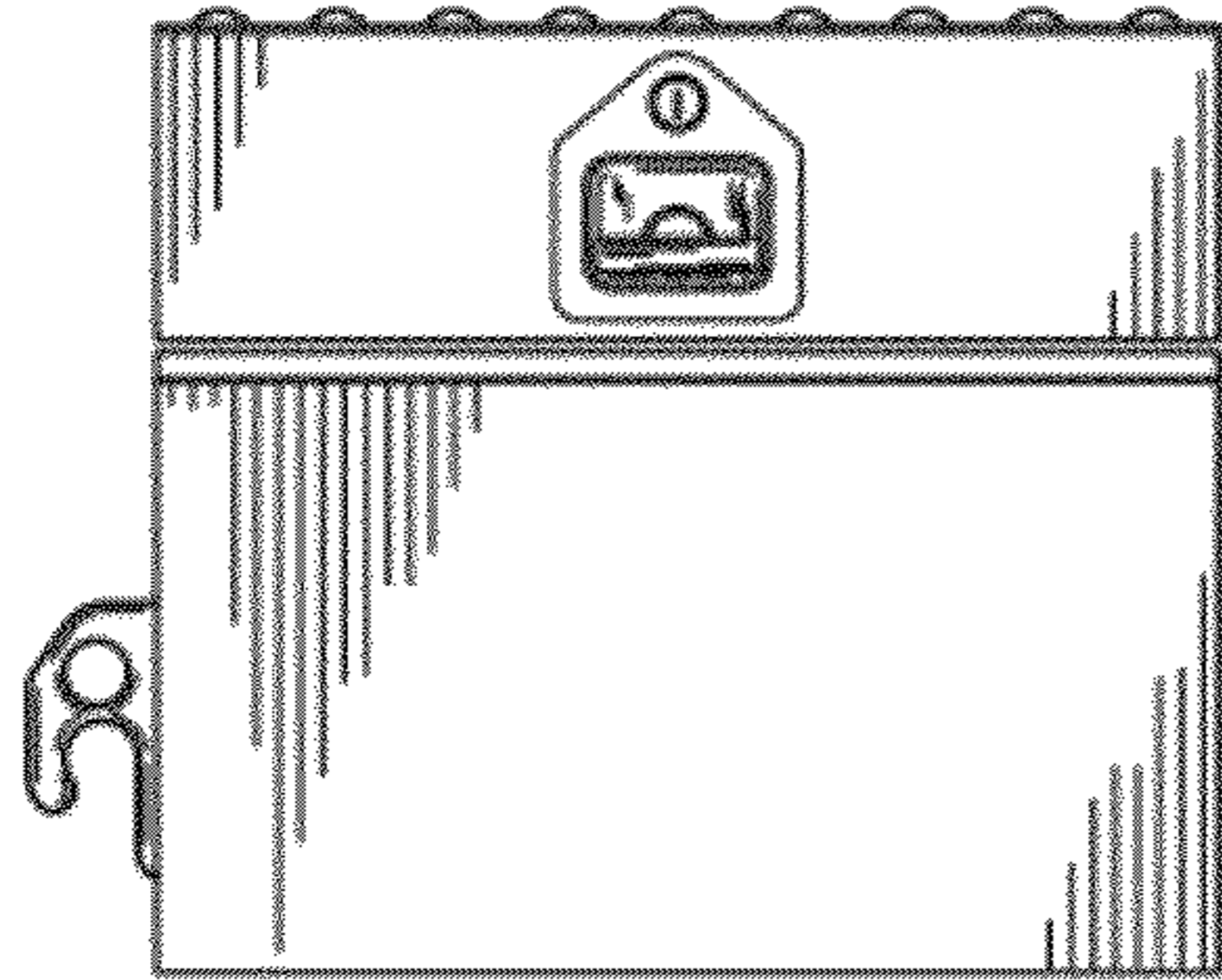


FIG. 4

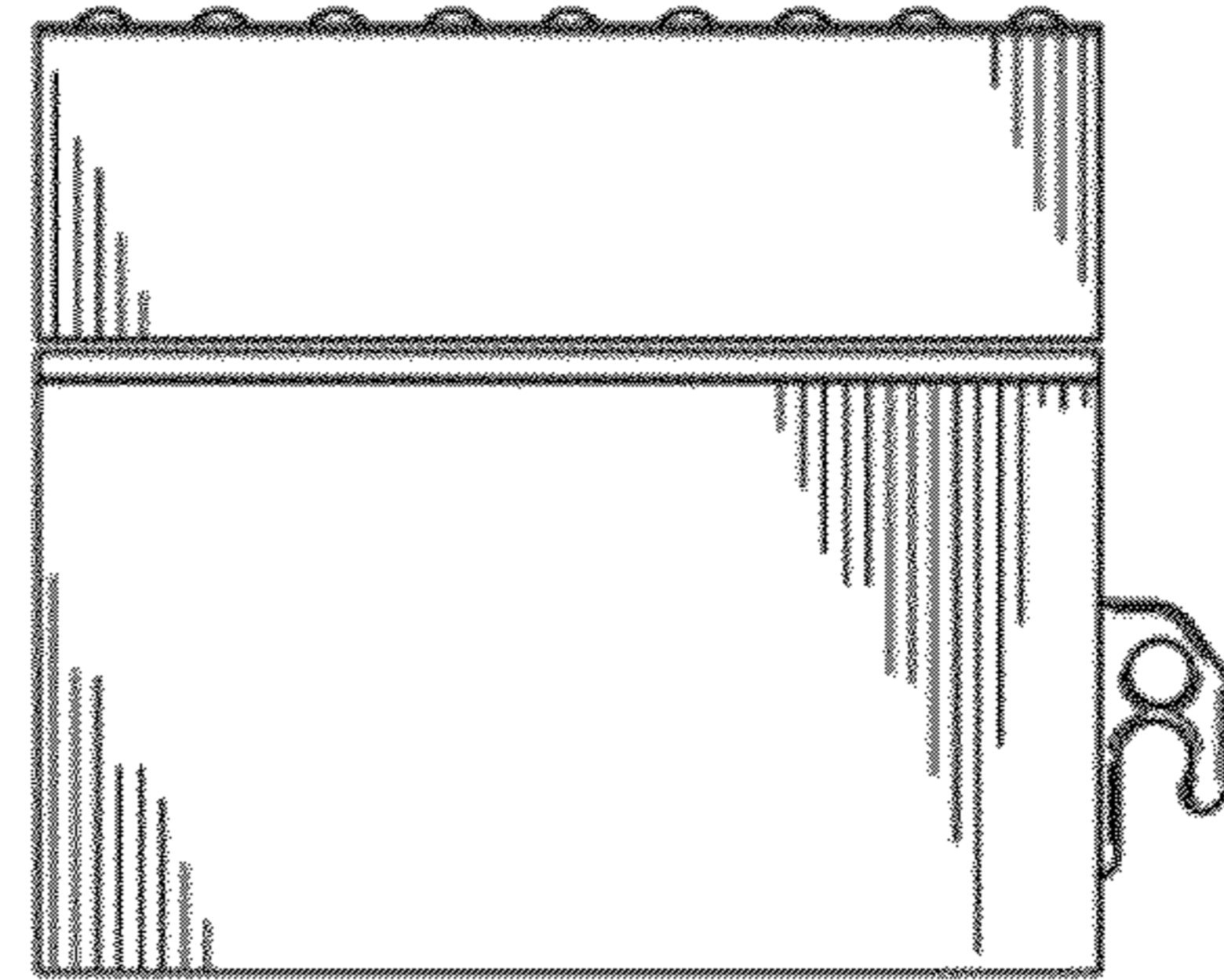


FIG. 5

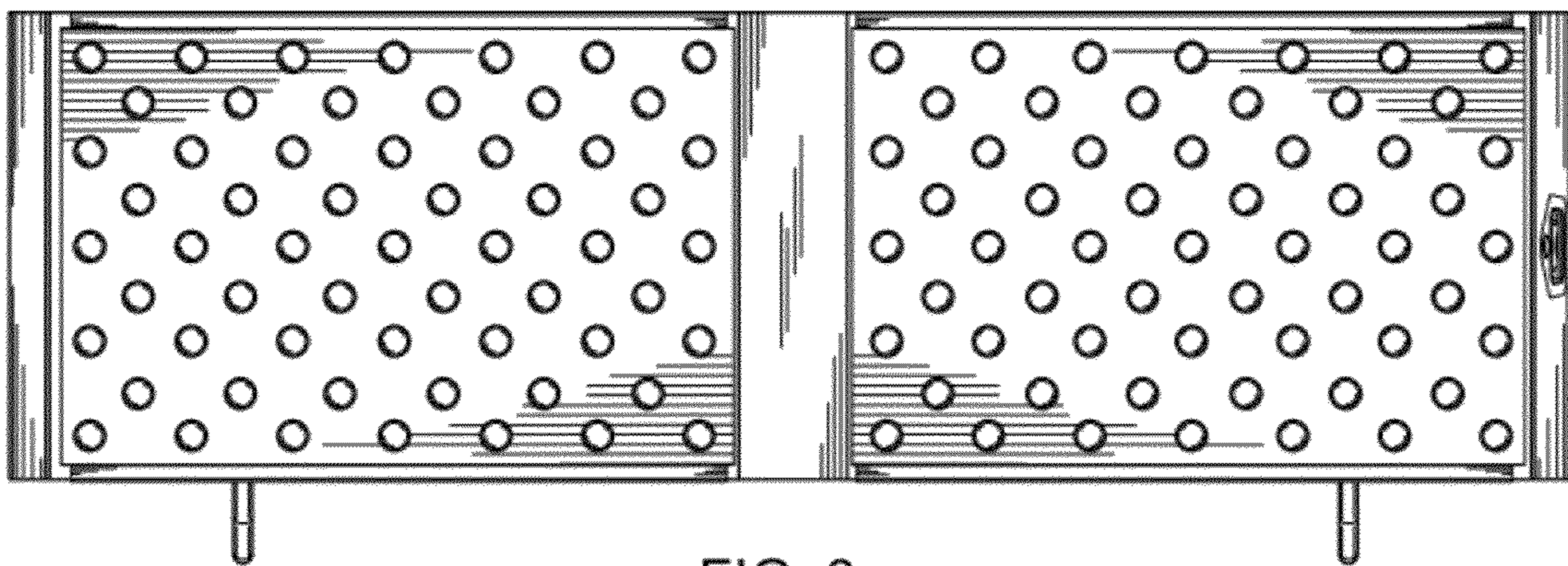


FIG. 6

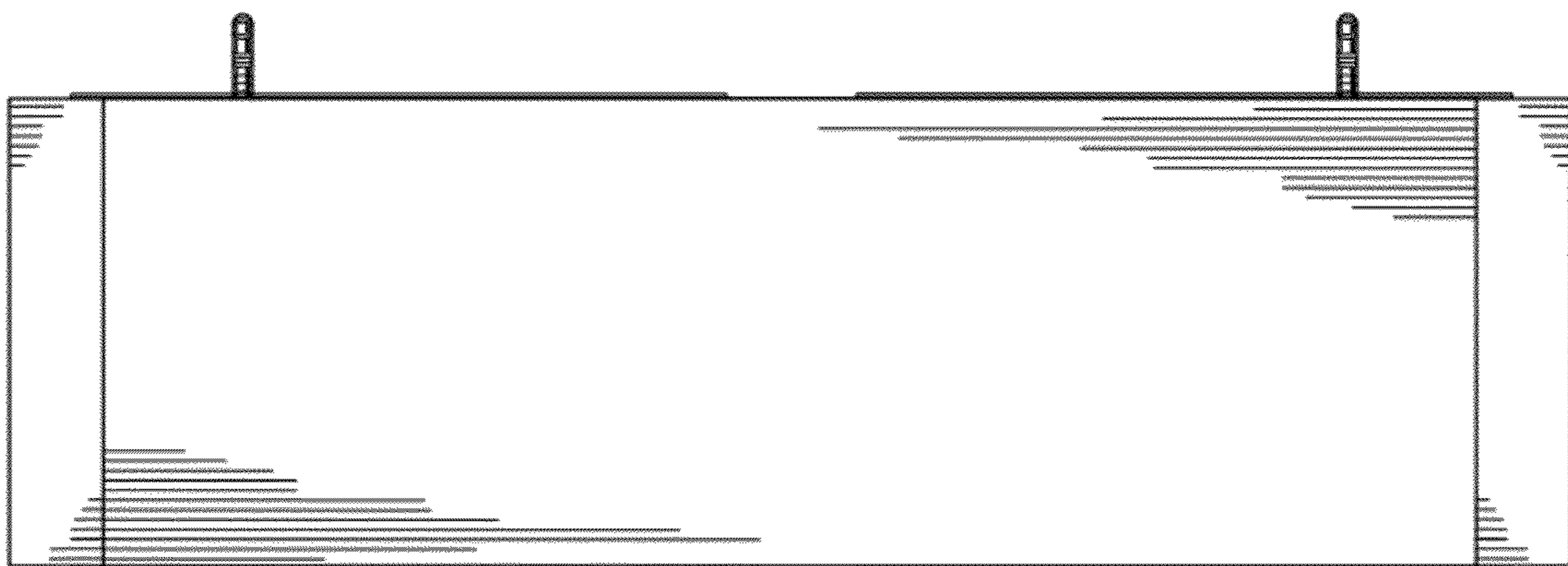


FIG. 7