



US00D658372S

(12) **United States Design Patent**
van der Lande

(10) **Patent No.:** **US D658,372 S**

(45) **Date of Patent:** **** May 1, 2012**

(54) **CONTACT LENS CASE**

(75) Inventor: **Jan van der Lande**, New York, NY (US)

(73) Assignee: **Kikkerland Design Inc**, New York, NY (US)

(**) Term: **14 Years**

(21) Appl. No.: **29/367,210**

(22) Filed: **Aug. 4, 2010**

(51) **LOC (9) Cl.** **03-01**

(52) **U.S. Cl.** **D3/264**

(58) **Field of Classification Search** D3/219,
D3/252, 263, 264, 265; 206/5, 5.1, 6
See application file for complete search history.

(56) **References Cited**

U.S. PATENT DOCUMENTS

3,856,571	A *	12/1974	Sherman	206/5.1
5,086,913	A *	2/1992	Camm et al.	206/5.1
6,092,646	A *	7/2000	Glazier	206/5.1
6,170,664	B1 *	1/2001	Dar	206/5.1
D439,404	S *	3/2001	Dar	D3/264
D528,299	S *	9/2006	Kim	D3/294
D551,448	S *	9/2007	Stull	D3/264
D552,347	S *	10/2007	Kim	D3/265
D570,113	S *	6/2008	Maraia et al.	D3/264
7,540,376	B2 *	6/2009	Mahieu et al.	206/5.1

2004/0050719	A1 *	3/2004	Berdan	206/5.1
2005/0087453	A1 *	4/2005	Mahieu et al.	206/5.1
2007/0261970	A1 *	11/2007	Stull	206/5.1

* cited by examiner

Primary Examiner — T. Chase Nelson

(74) *Attorney, Agent, or Firm* — Cascio & Zervas

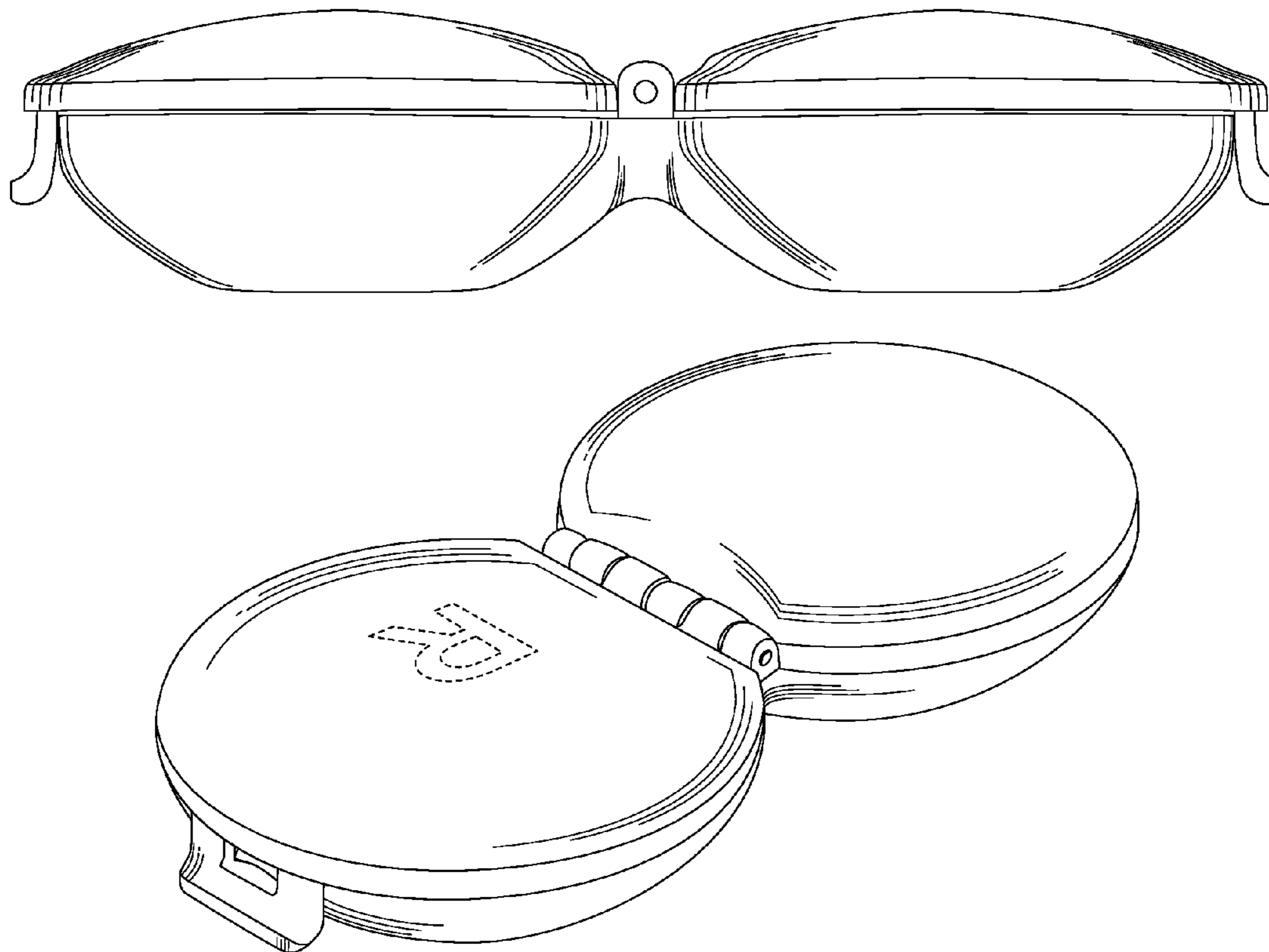
(57) **CLAIM**

The ornamental design for a contact lens case, as shown and described.

DESCRIPTION

FIG. 1 is a front elevational view of the contact lens case showing my design;
 FIG. 2 is a rear elevational view thereof;
 FIG. 3 is a top plan view thereof;
 FIG. 4 is a bottom plan view thereof;
 FIG. 5 is a right side elevational view thereof;
 FIG. 6 is a left side elevational view thereof;
 FIG. 7 is a front perspective view thereof;
 FIG. 8 is a front perspective view thereof, with the covers in an open position; and,
 FIG. 9 is a front elevational view thereof, with one cover in the open position.
 The broken lines shown in FIGS. 3 and 7 are for purposes of illustrating environmental structure that forms no part of the claimed design.

1 Claim, 5 Drawing Sheets



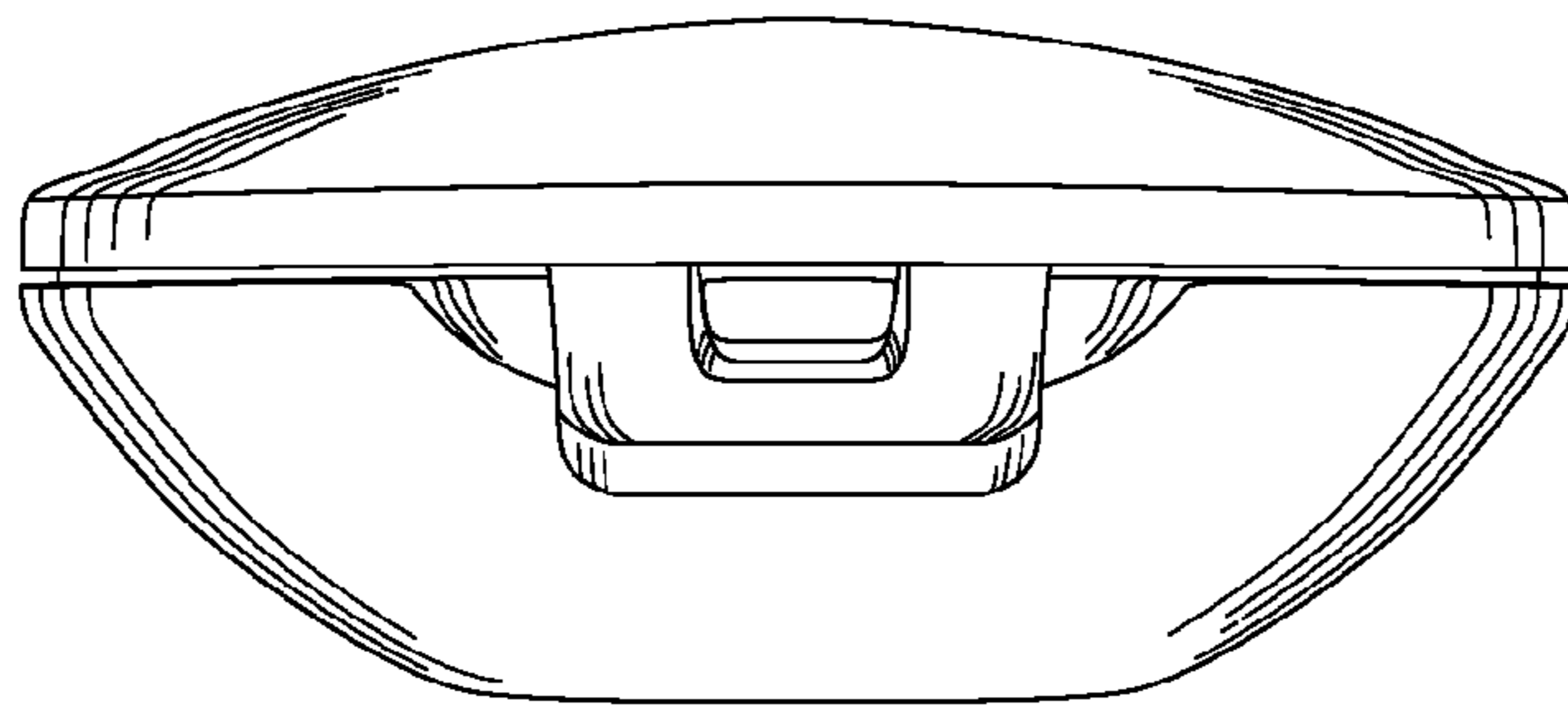


FIG. 1

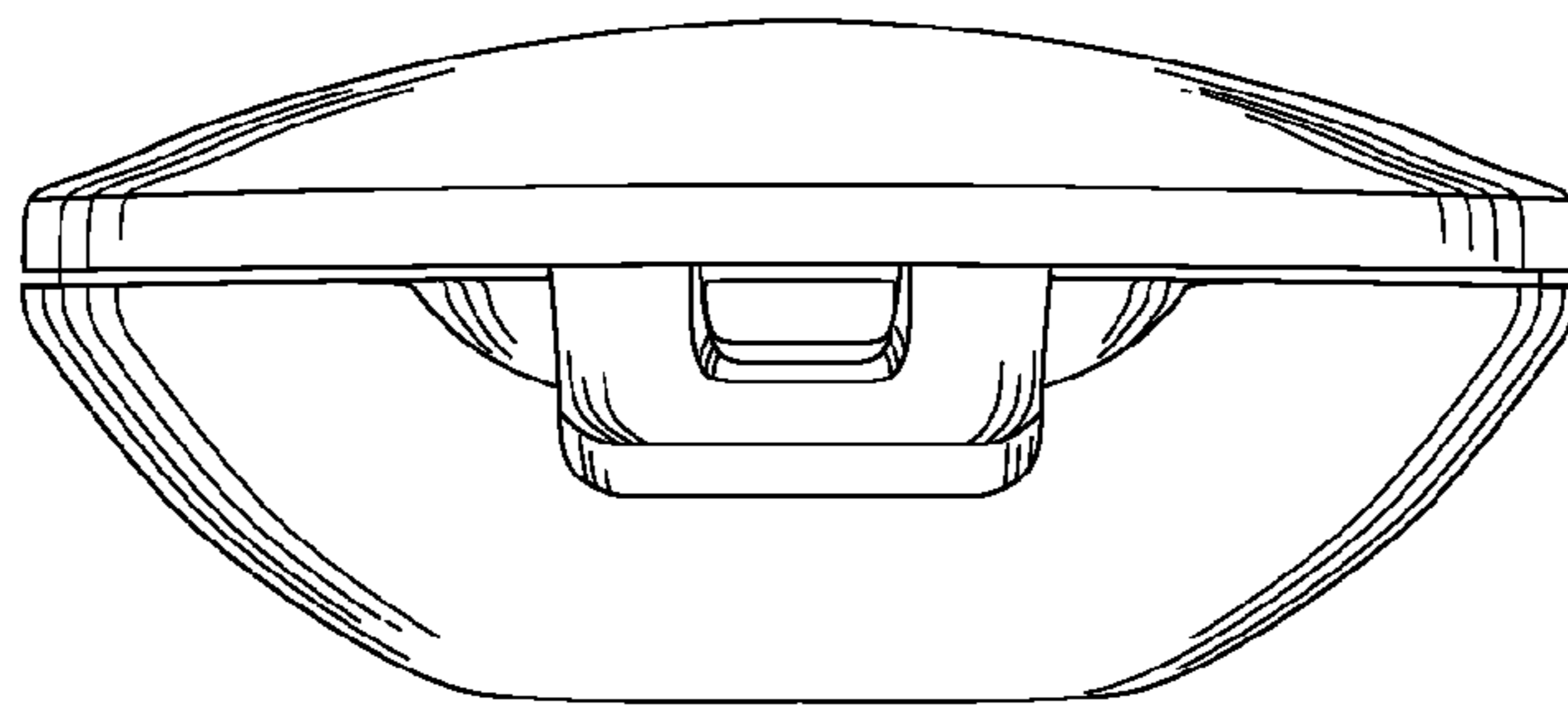


FIG. 2

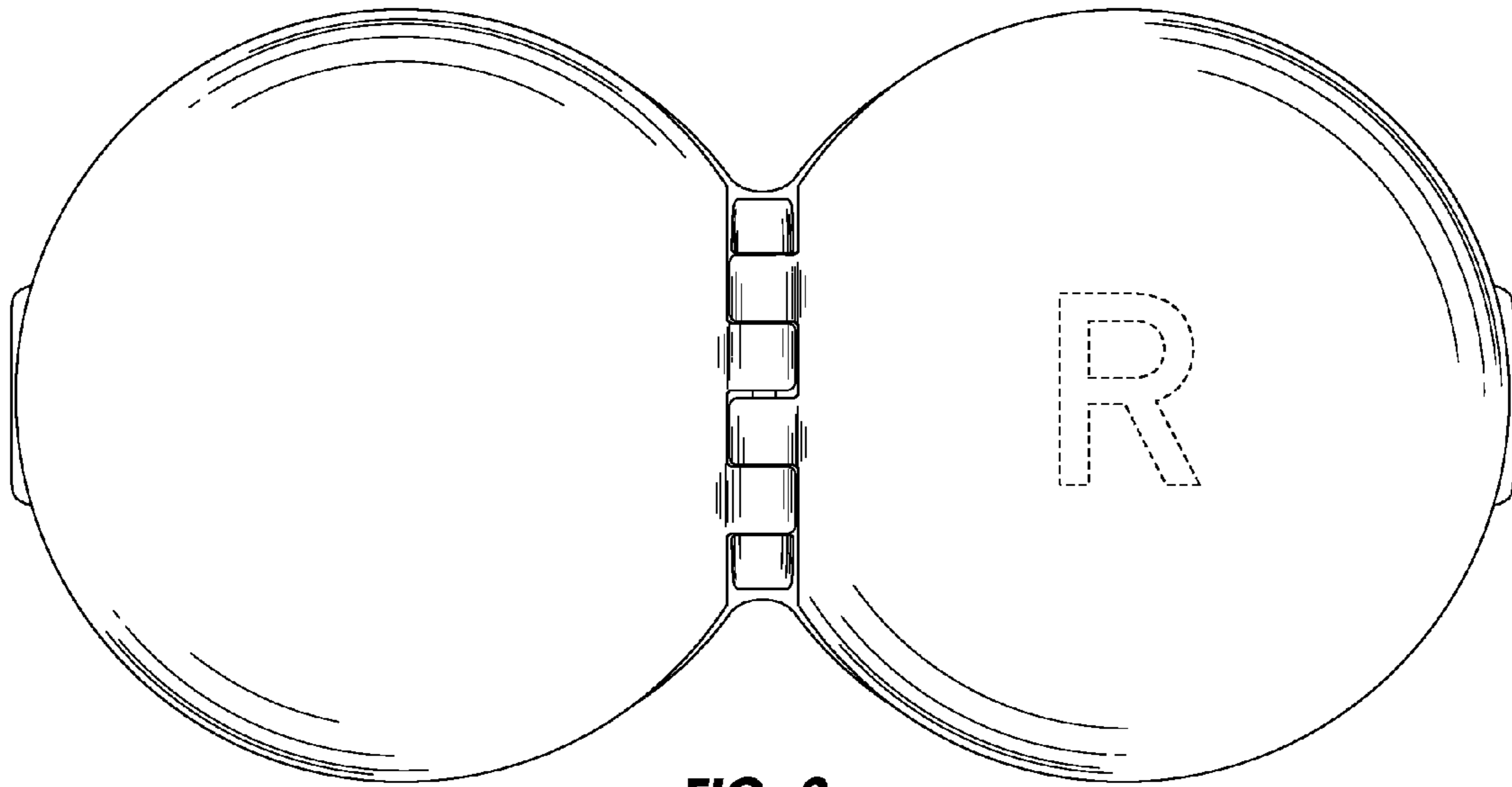


FIG. 3

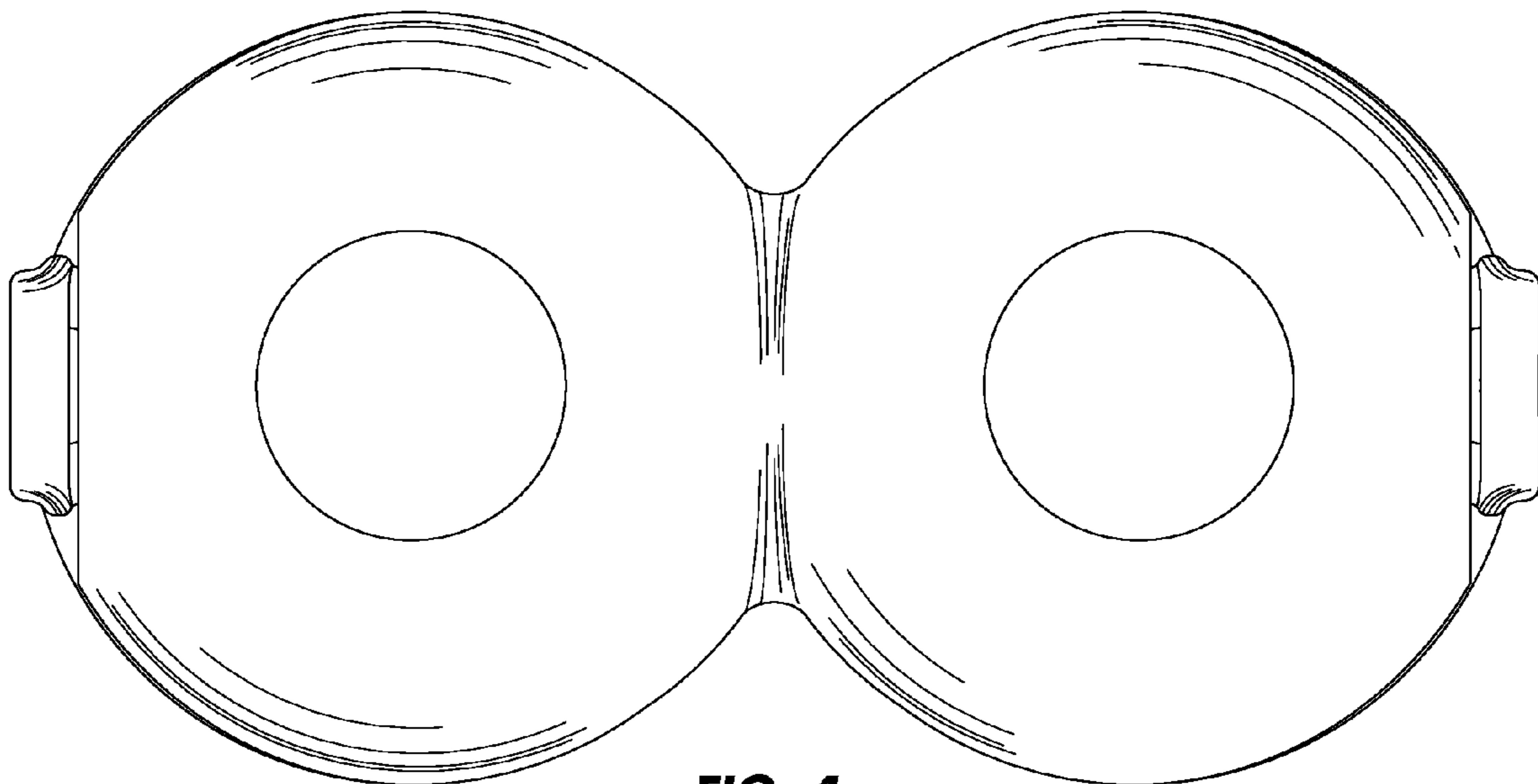


FIG. 4

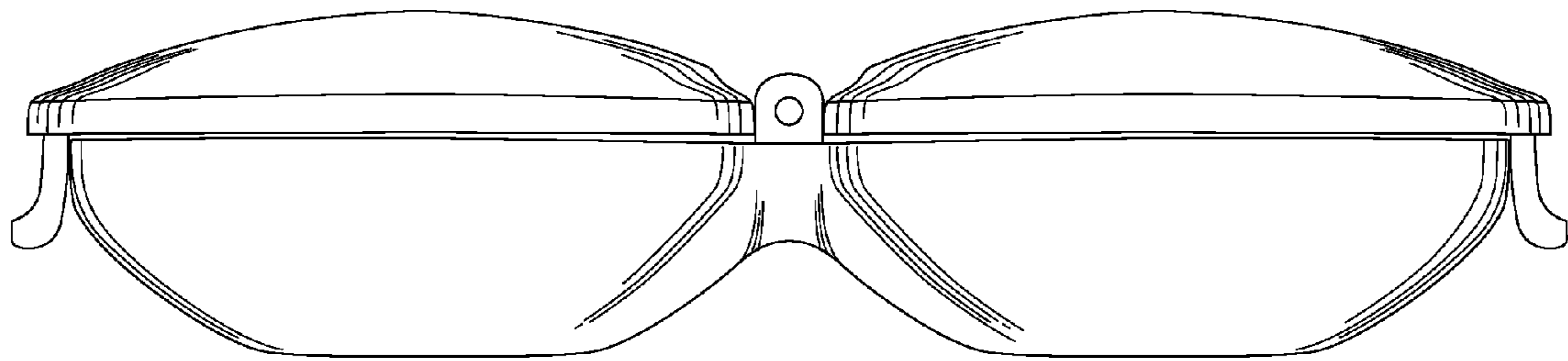


FIG. 5

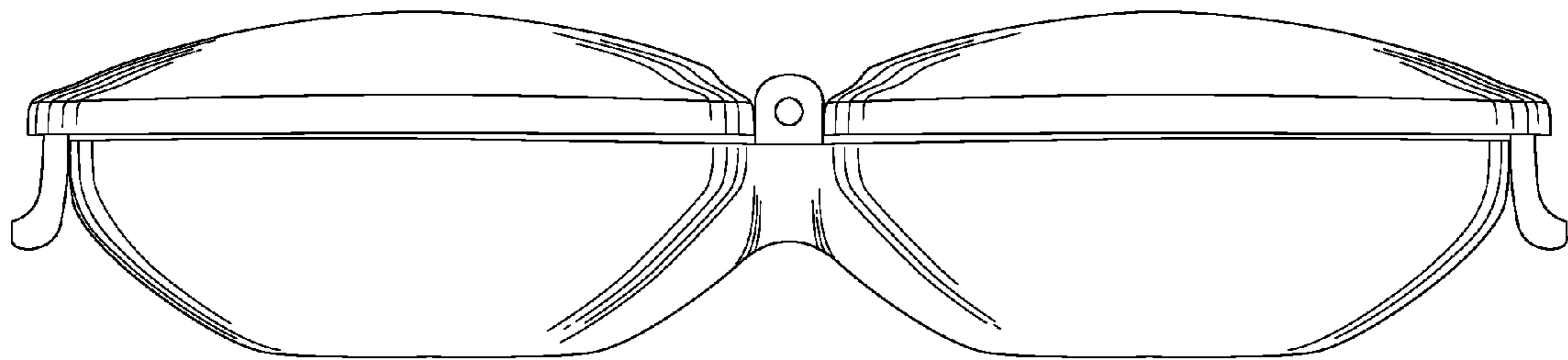


FIG. 6

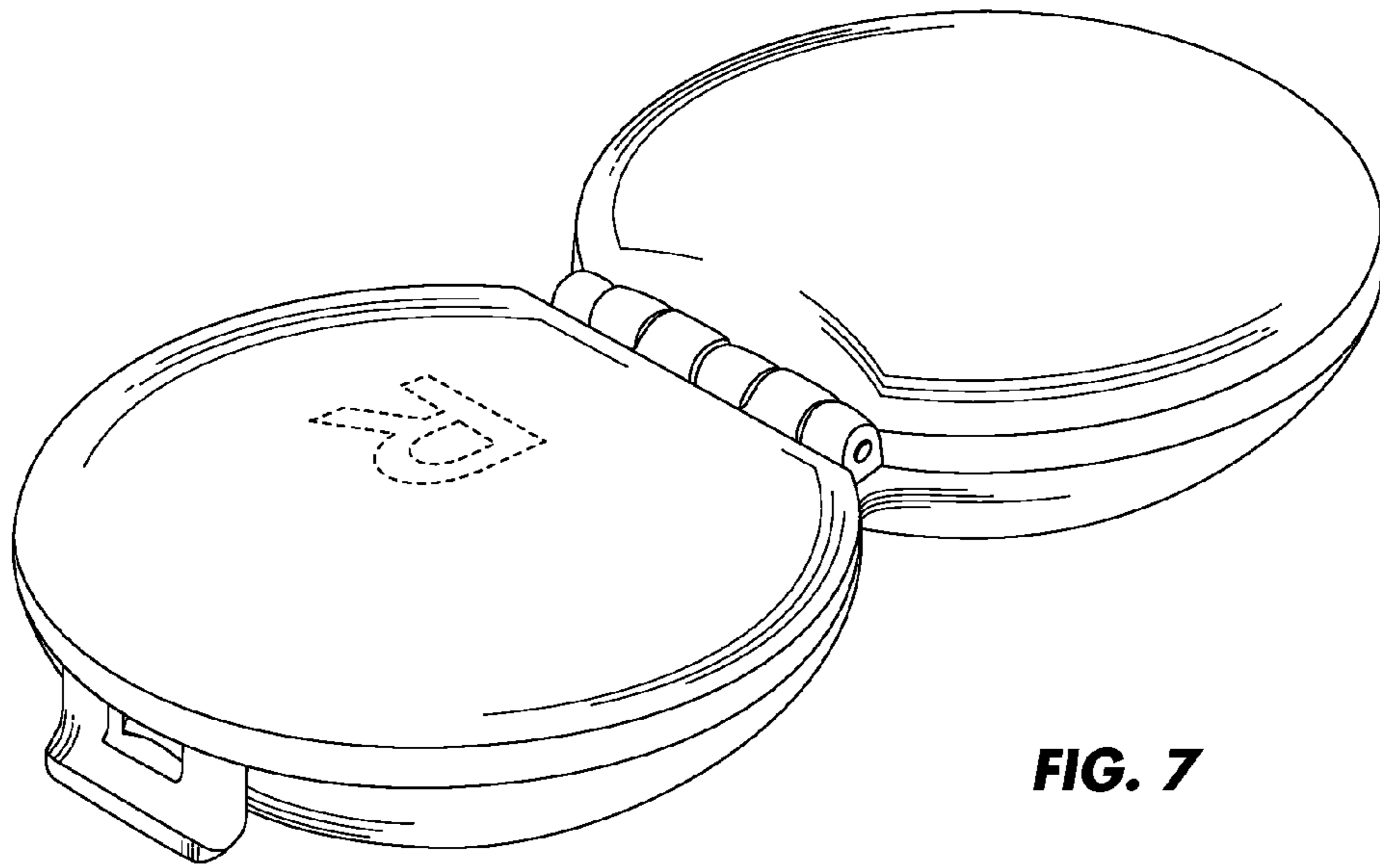


FIG. 7

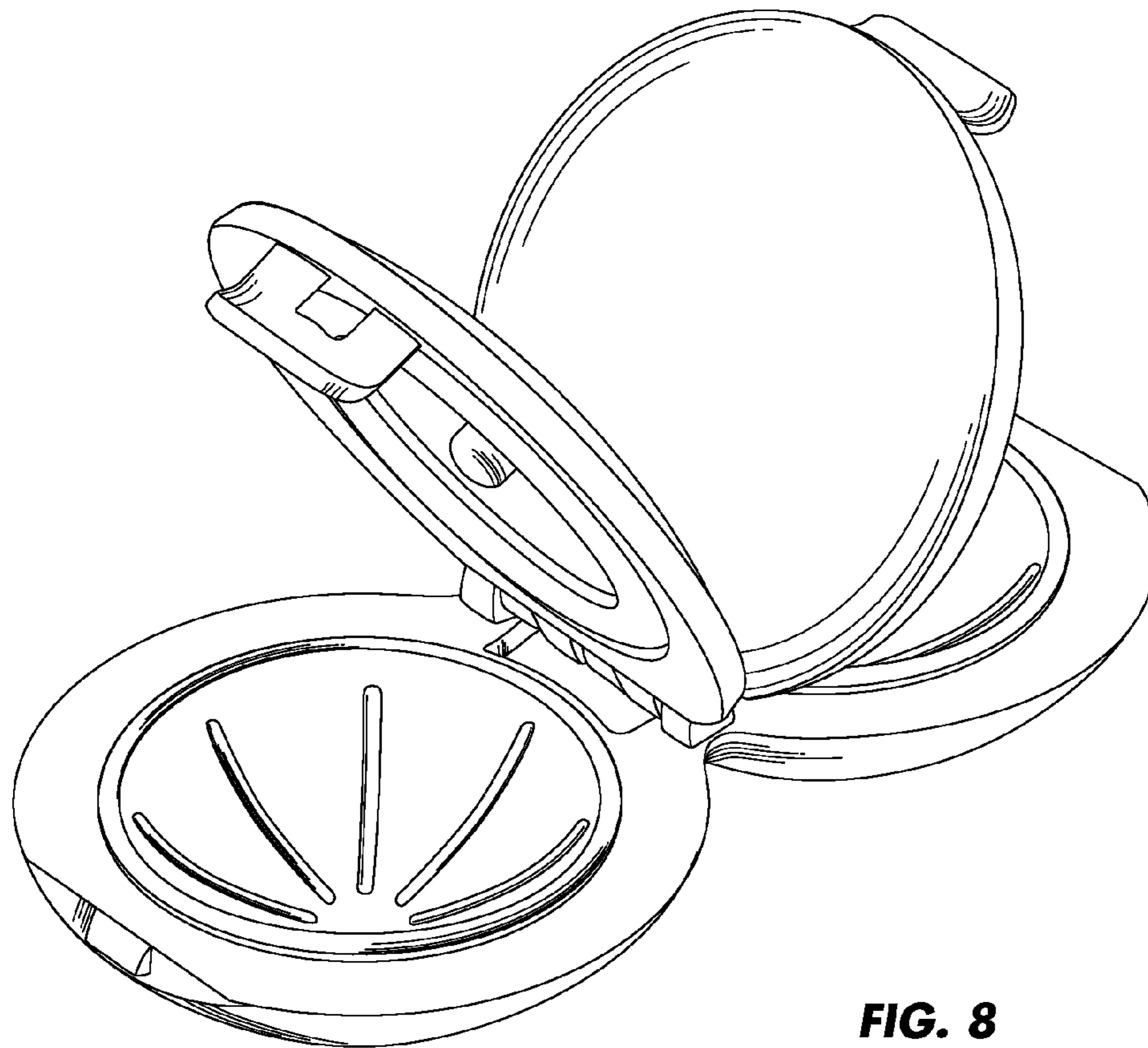


FIG. 8

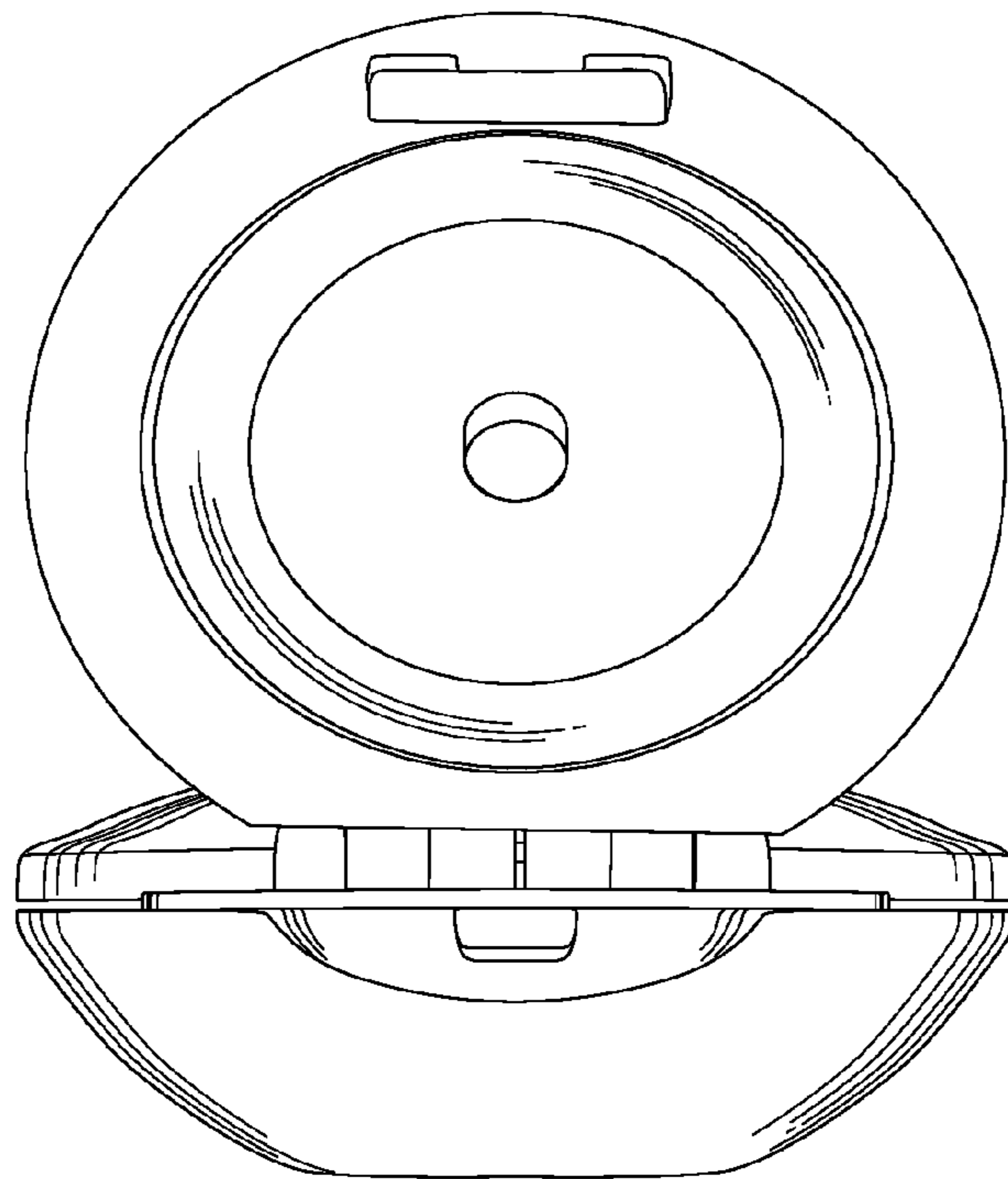


FIG. 9