



US00D658366S

(12) **United States Design Patent**
Platt et al.

(10) **Patent No.:** **US D658,366 S**
(45) **Date of Patent:** **** May 1, 2012**

(54) **INTERCHANGEABLE COVER FOR USE WITH BASE HANDBAG**

2,437,382 A 3/1948 Czap
2,464,312 A 3/1949 Holden
2,477,388 A 7/1949 Moore
D155,608 S 10/1949 Hilf
2,622,647 A 12/1952 Arnthal
2,627,885 A 2/1953 Cassell

(75) Inventors: **Jennie Platt**, Sandy, UT (US); **Christian J. Seegmiller**, Riverton, UT (US); **Corbin B. Church**, Salt Lake City, UT (US)

(Continued)

(73) Assignee: **Miche Bag, LLC**, South Jordan, UT (US)

FOREIGN PATENT DOCUMENTS

CA 2570857 1/2006

(Continued)

(**) Term: **14 Years**

OTHER PUBLICATIONS

(21) Appl. No.: **29/405,849**

International Search Report and Opinion for PCT/US2007/085339, Mailed Mar. 14, 2008.

(22) Filed: **Nov. 7, 2011**

(Continued)

Related U.S. Application Data

(60) Division of application No. 29/355,821, filed on Feb. 15, 2010, which is a continuation of application No. 12/529,012, filed as application No. PCT/US2009/54896 on Aug. 25, 2009.

Primary Examiner — Holly Baynham

(74) *Attorney, Agent, or Firm* — Workman Nydegger

(51) **LOC (9) Cl.** **03-01**

(52) **U.S. Cl.** **D3/233**

(58) **Field of Classification Search** D3/232–233, D3/240–245; 150/100, 103–110, 113–114, 150/118–119

(57) **CLAIM**

The ornamental design for a base handbag for use with an interchangeable cover, as shown and described.

See application file for complete search history.

DESCRIPTION

FIG. 1 is an exploded top, left perspective view of an interchangeable cover for use with a base handbag when the base handbag is withdrawn from the handbag cover, with the interchangeable cover shown with attachment flaps in an open position;

FIG. 2 is a front elevational view thereof, with the rear elevational view being a mirror image thereof;

FIG. 3 is a left side elevational view thereof, with the right side elevational view being a mirror image thereof;

FIG. 4 is a bottom plan view thereof; and,

FIG. 5 is a top plan view thereof.

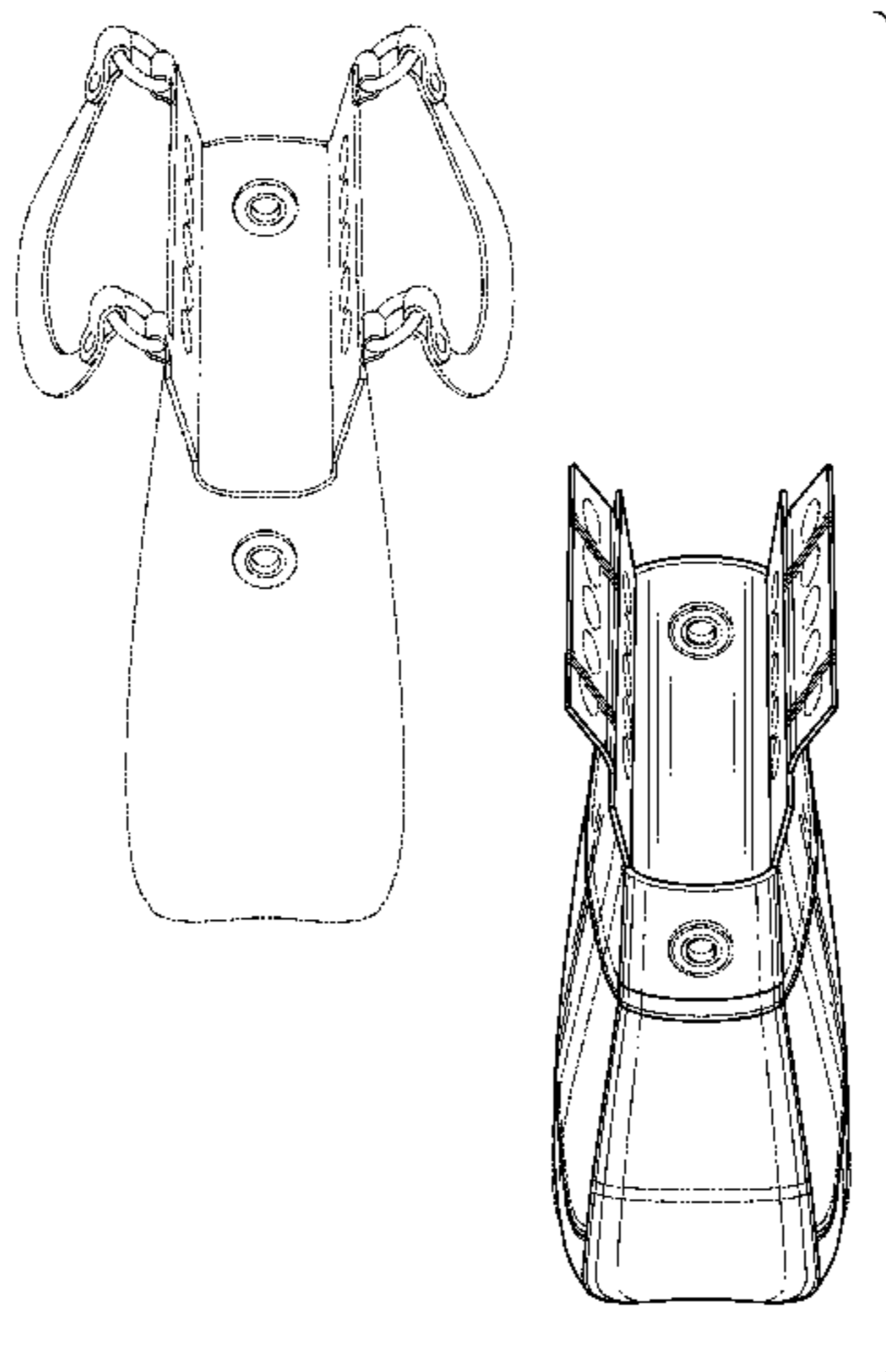
The broken, alternating long and short lines are for the purposes of illustrating environment, or hidden elements, and form no part of the claimed design. The evenly spaced broken lines represent stitching and are part of the claimed design.

(56) **References Cited**

U.S. PATENT DOCUMENTS

840,086 A 1/1907 Oswald
1,042,934 A 9/1912 Levy
1,960,396 A 5/1934 Rosenberg
1,972,577 A 9/1934 Walinsky
1,978,971 A 10/1934 Thornhill
2,023,144 A 5/1935 Miller
2,104,439 A 1/1938 Schein
2,118,400 A 5/1938 Goldberg
2,131,382 A 9/1938 Lobat
D129,151 S 8/1941 Lewis
D131,188 S 1/1942 Lewis
2,369,239 A 2/1945 Khoury
2,369,482 A 2/1945 Morris

1 Claim, 4 Drawing Sheets



US D658,366 S

Page 2

U.S. PATENT DOCUMENTS

2,656,870	A	10/1953	Wishnia	6,968,880	B2	11/2005	Battaglia
2,779,373	A	1/1957	Koepke	6,971,424	B1	12/2005	Angevine
2,809,685	A	10/1957	Lowy	7,028,730	B2	4/2006	Pace et al.
2,893,457	A	7/1959	Wilson	7,222,649	B1	5/2007	Fox
3,182,701	A	5/1965	Ginsburg	7,246,643	B2	7/2007	Andrews
3,234,985	A	2/1966	Gilbert	7,461,676	B2	12/2008	Huie
3,451,454	A	6/1969	David	7,624,777	B2	12/2009	Paller
3,556,187	A	1/1971	Speakes	D610,801	S	3/2010	Romero
3,575,226	A	4/1971	Chapman	D611,705	S	3/2010	Romero
D224,072	S	6/1972	Rosenblum	D613,062	S	4/2010	Romero
3,669,169	A	6/1972	Lubliner	7,789,114	B2	9/2010	Pace
4,088,167	A	5/1978	Schwartz	7,942,296	B1	5/2011	Johnson
4,112,991	A	9/1978	Barbaresi	8,028,730	B2	10/2011	Whiting
D252,596	S	8/1979	Adler	2001/0015248	A1	8/2001	McCreery
4,260,004	A	4/1981	Domke	2002/0029831	A1	3/2002	Pendergrass
4,263,951	A	4/1981	Siegel	2002/0066505	A1	6/2002	Grogan
4,610,286	A	9/1986	Cyr	2003/0000612	A1	1/2003	Sutton
4,754,790	A	7/1988	Meyers	2003/0177664	A1	9/2003	Monassebian
4,842,032	A	6/1989	Mastronardo	2004/0050468	A1	3/2004	Powers
4,907,633	A	3/1990	Eckstein	2004/0187988	A1	9/2004	Andrews
5,096,030	A	3/1992	Espinosa	2005/0028908	A1	2/2005	Schaus
5,178,198	A	1/1993	Fitzgerald	2005/0173034	A1	8/2005	Antrobus
D334,661	S	4/1993	Kohn	2005/0274441	A1	12/2005	Pace
5,207,254	A	5/1993	Fromm	2006/0021684	A1	2/2006	DeCoro, III
D346,694	S	5/1994	Cyr	2006/0157175	A1	7/2006	Pace
5,356,004	A	10/1994	Weinreb	2006/0174984	A1	8/2006	Burns
D354,399	S	1/1995	Georges	2006/0208043	A1	9/2006	Plantan
5,533,558	A	7/1996	Carey	2006/0237106	A1	10/2006	Pearson
5,725,039	A	3/1998	Macinai	2006/0266452	A1	11/2006	Huie
5,765,618	A	6/1998	Toledano	2006/0278311	A1	12/2006	Mittelstaedt
5,829,502	A	11/1998	Distefano et al.	2007/0102077	A1	5/2007	Parker-Ogden
5,839,138	A	11/1998	Smith	2007/0163689	A1	7/2007	Pace
D403,863	S	1/1999	Briganti	2007/0209742	A1	9/2007	Morgan
D408,146	S	4/1999	Briganti	2007/0221136	A1	9/2007	Buttner
5,894,975	A	4/1999	Holden et al.	2007/0240798	A1	10/2007	Bihler
5,911,262	A	6/1999	Steinhart	2008/0006355	A1	1/2008	Gomez
5,983,464	A	11/1999	Bauer	2008/0185082	A1	8/2008	Mejia
5,983,969	A	11/1999	Morgan	2008/0230158	A1	9/2008	Romero
6,003,573	A	12/1999	Owens	2009/0065110	A1	3/2009	Cassella
6,029,723	A	2/2000	Baquero	2009/0188592	A1	7/2009	Connacher
6,116,412	A	9/2000	Rogers	2010/0218863	A1	9/2010	Church
D432,310	S	10/2000	Salz	2011/0000590	A1	1/2011	Welch
6,129,126	A	10/2000	Restivo	2011/0005646	A1	1/2011	Nelson
6,173,837	B1	1/2001	Marconi	2011/0011503	A1	1/2011	Parker
6,179,025	B1	1/2001	Sutton	2011/0061778	A1	3/2011	Micone
D437,687	S	2/2001	Salz	2011/0253273	A1	10/2011	Kay
6,186,201	B1	2/2001	Salz				
6,237,660	B1	5/2001	Giardino				
D443,139	S	6/2001	Salz				
D443,764	S	6/2001	Salz				
D444,943	S	7/2001	Nastasi				
6,394,157	B2	5/2002	Luna				
6,422,278	B1	7/2002	Grogan				
6,446,688	B1	9/2002	Sutton				
6,543,499	B2	4/2003	McCreery				
6,564,838	B1	5/2003	Cruickshank				
D476,809	S	7/2003	Ko				
D495,877	S	9/2004	Thorsen				
6,796,344	B2	9/2004	Chen				
6,807,992	B2	10/2004	Powers				
D497,716	S	11/2004	de Baschmakoff				
6,820,664	B1	11/2004	Ritch				

FOREIGN PATENT DOCUMENTS

FR	1117240	A	5/1956
GB	2350285		11/2000
GB	2377882	A	1/2003
JP	2002051816		2/2002
KR	20-030050218		5/2004
WO	01091596		12/2001
WO	2005008552		1/2005
WO	2006002005		1/2006
WO	2006122197		11/2006

OTHER PUBLICATIONS

European Search Report, Application Ser. No. 09014069.0-1258/2163169, Mailed Mar. 3, 2010.
International Search Report and Opinion for PCT/US2009/054896, Mailed Oct. 30, 2009.

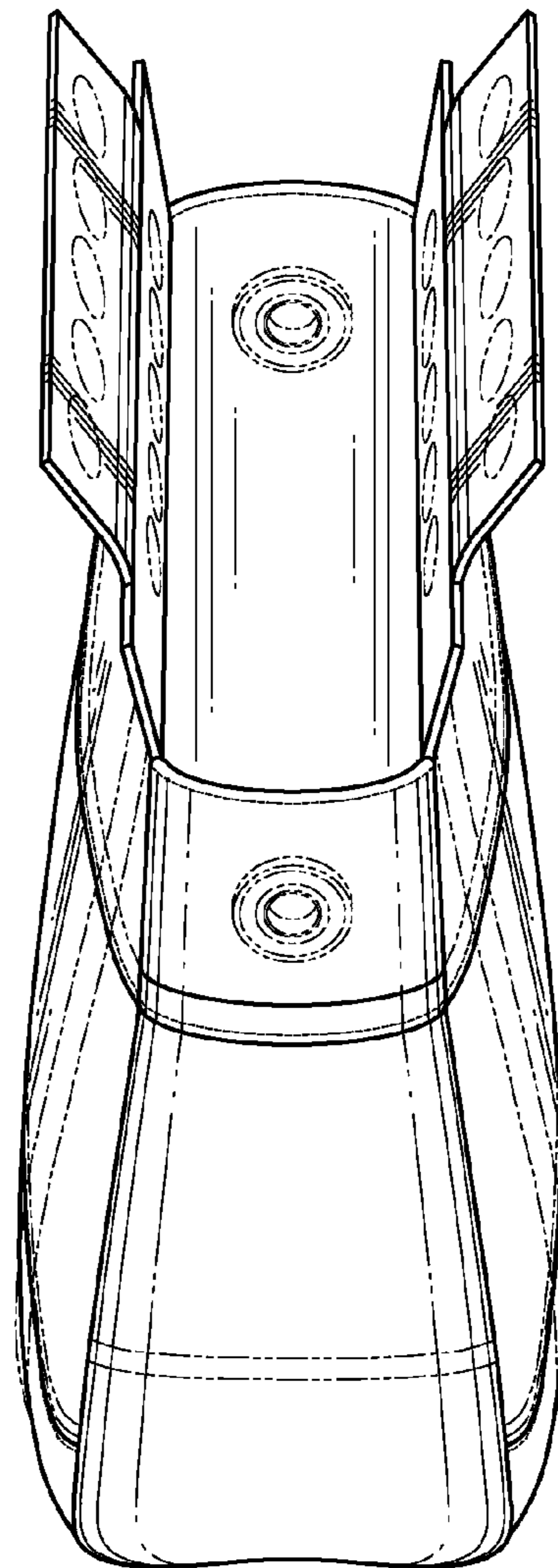
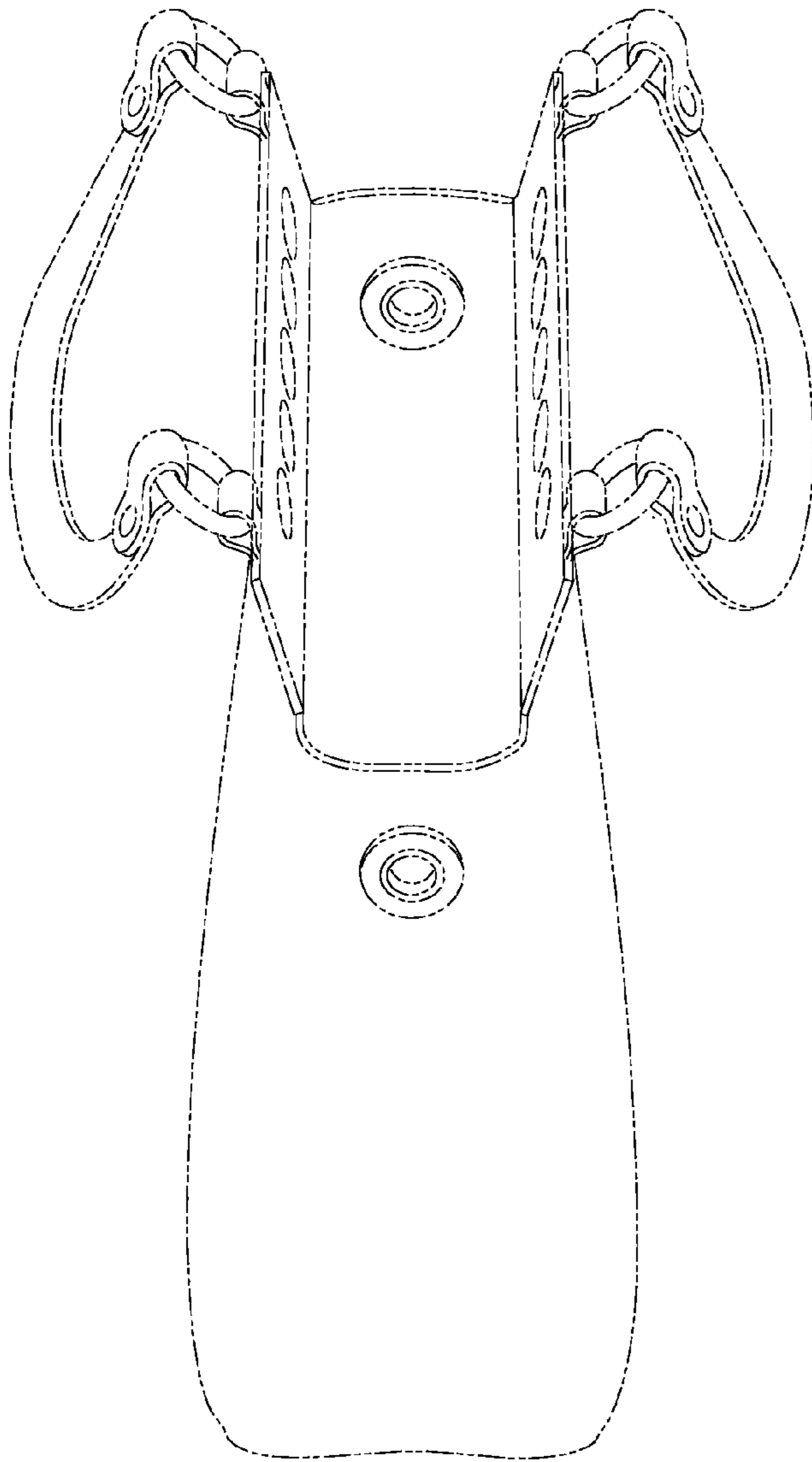


Fig. 1

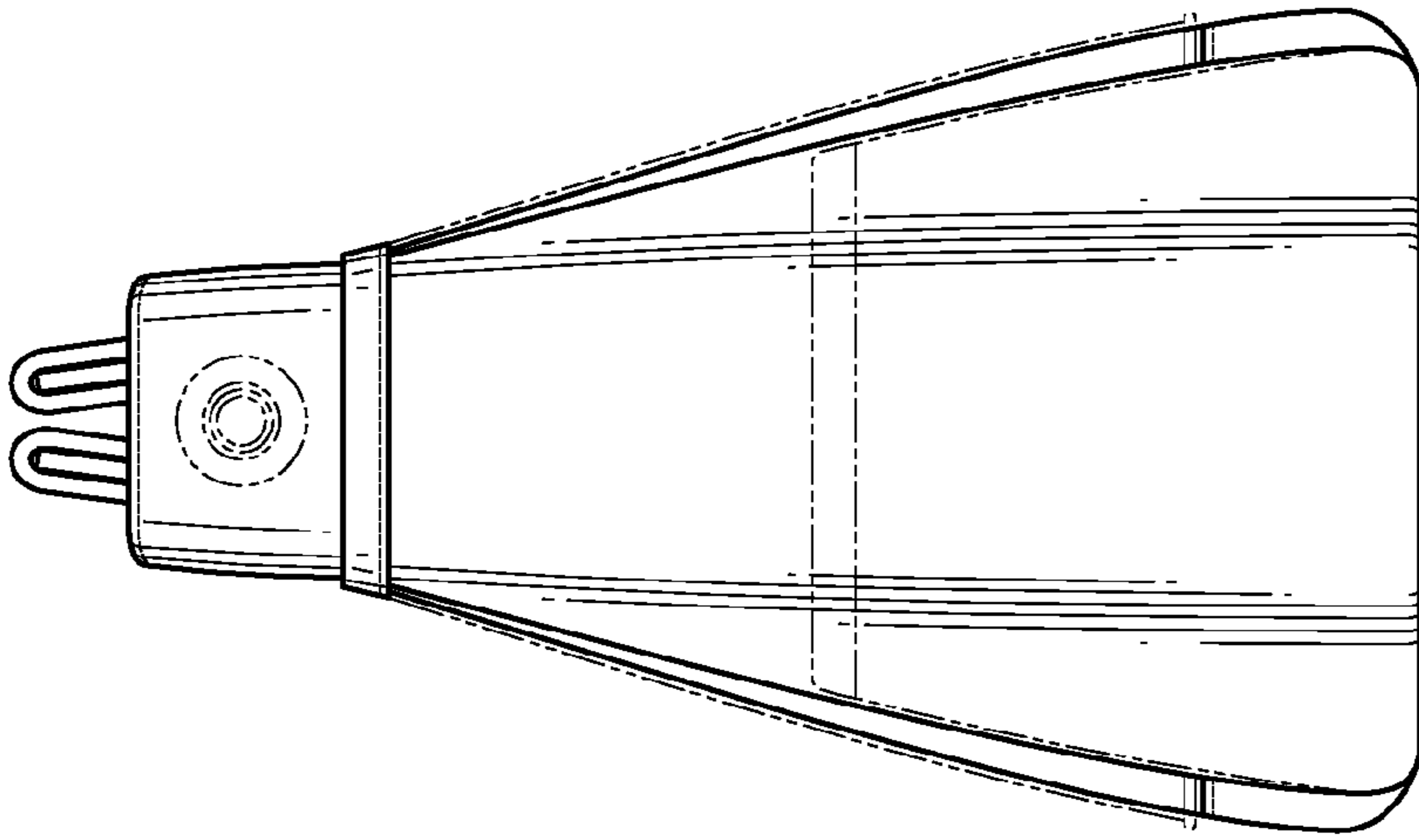


Fig. 3

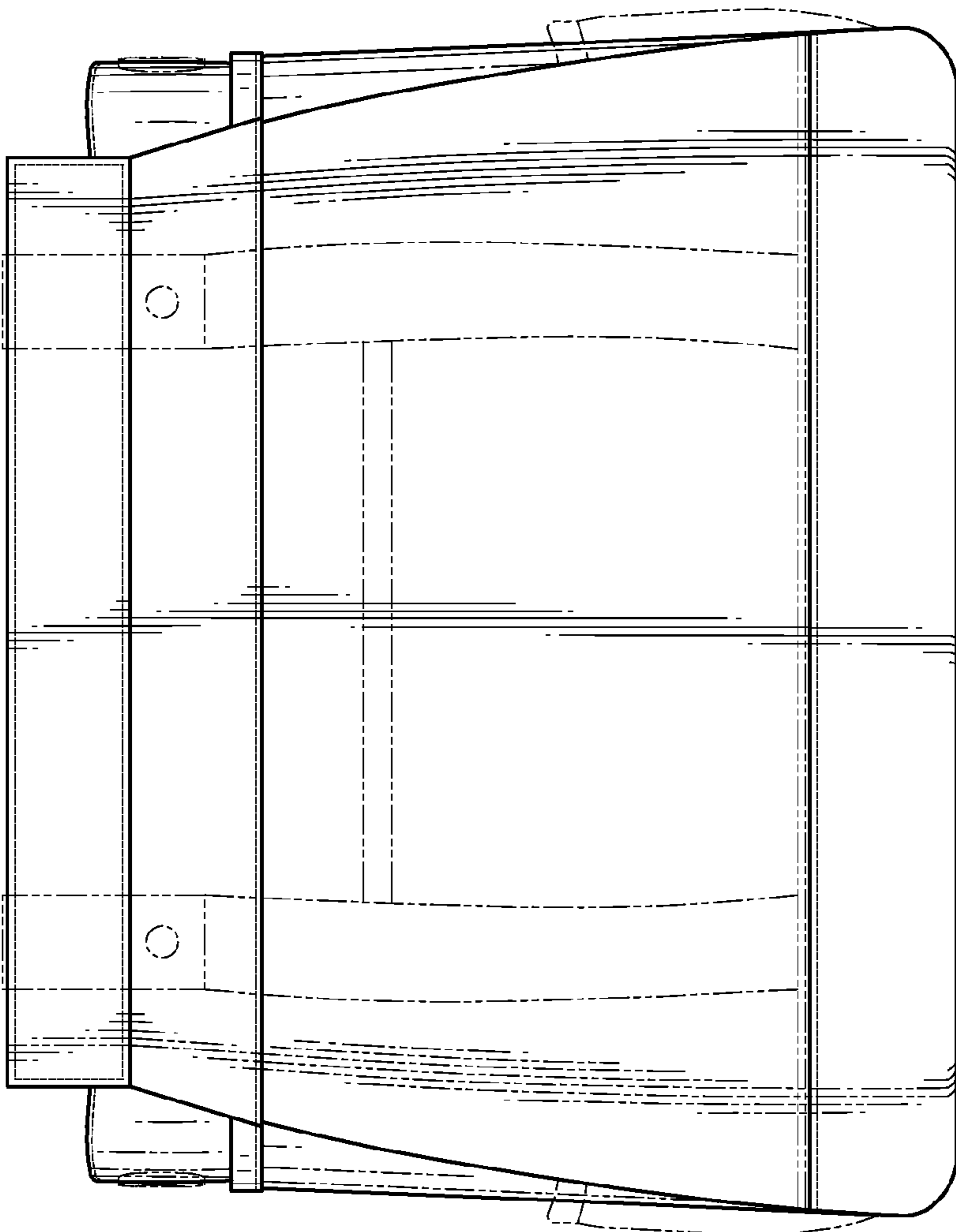


Fig. 2

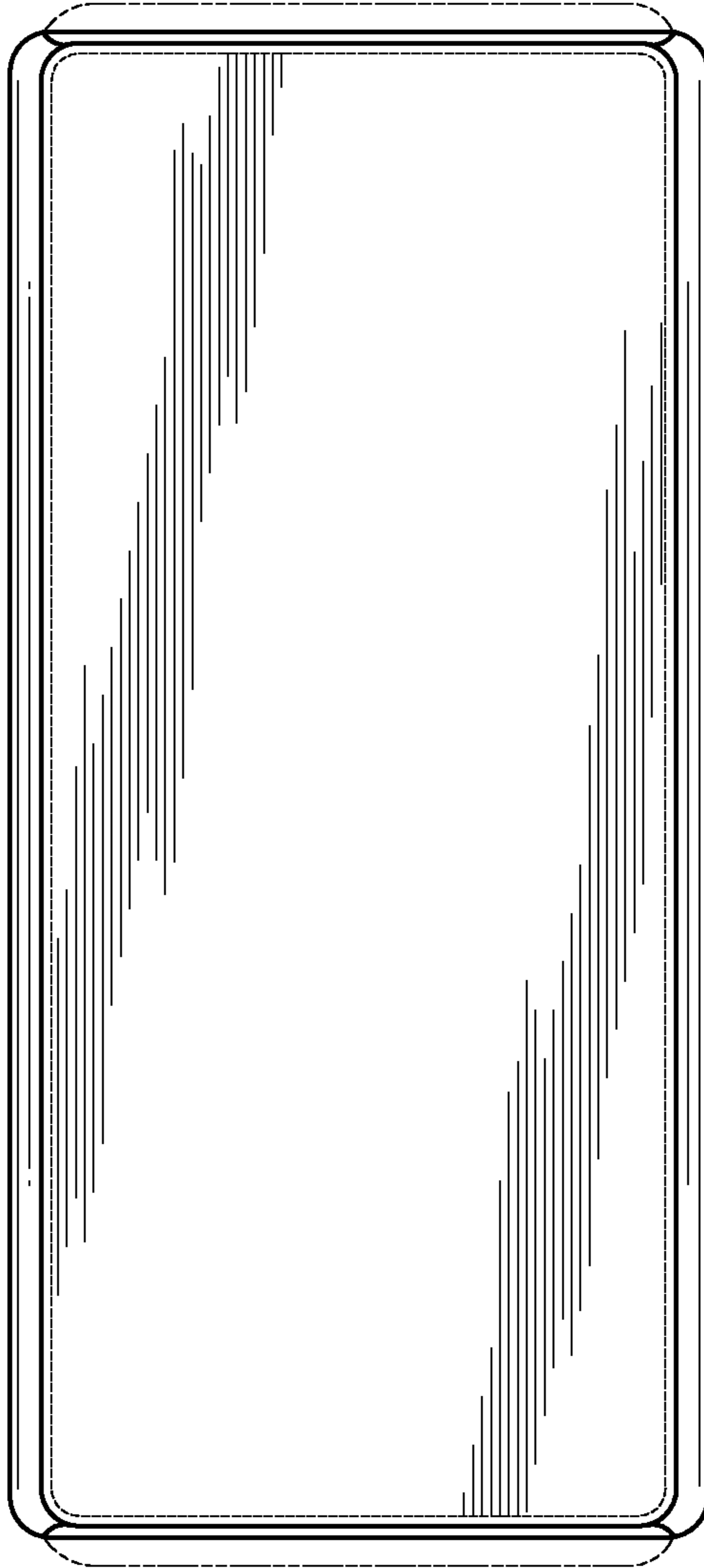


Fig. 4

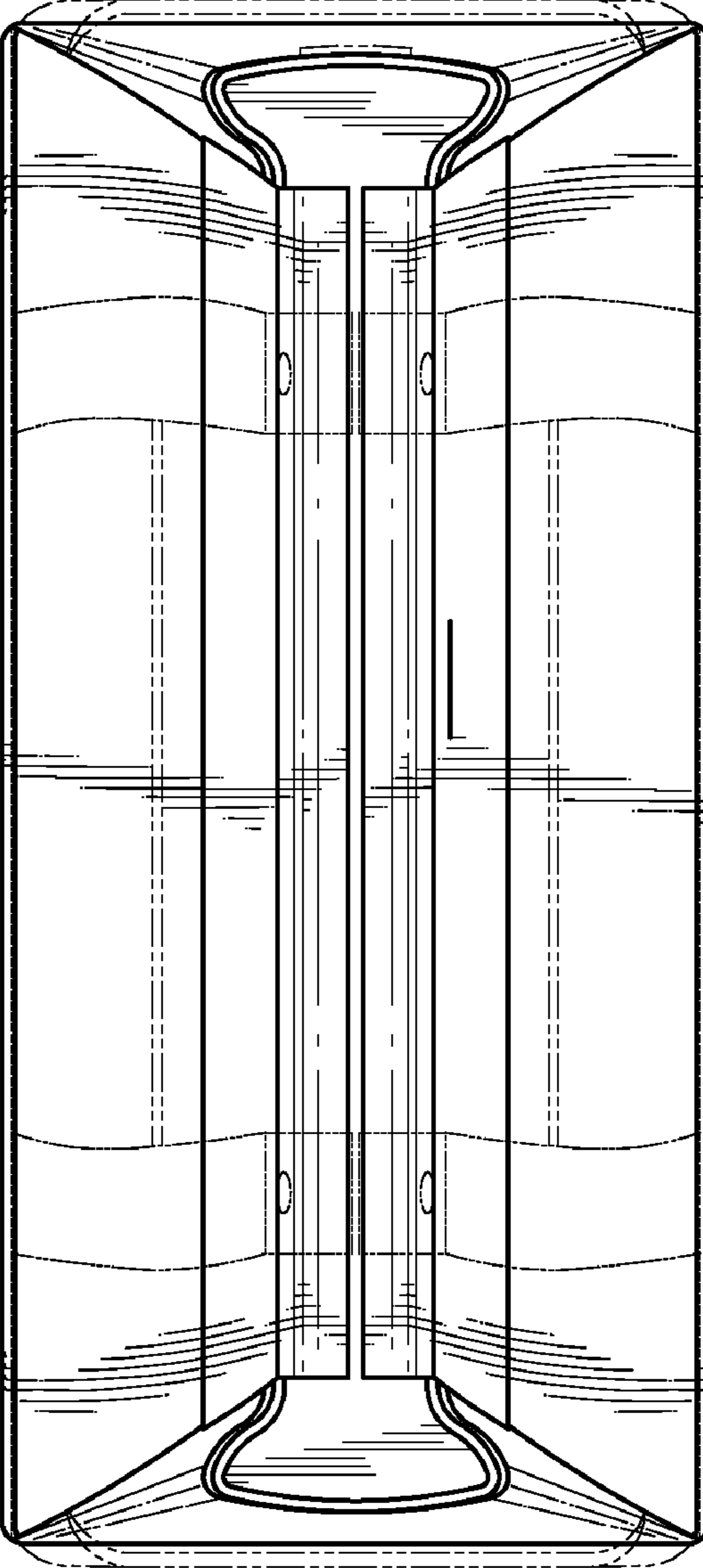


Fig. 5