



US00D658362S

(12) **United States Design Patent**
Nassiri et al.

(10) **Patent No.:** **US D658,362 S**
(45) **Date of Patent:** **** May 1, 2012**

(54) **SELF-CONTAINED MEDICATION APPARATUS**

Primary Examiner — Catheri Oliver
(74) *Attorney, Agent, or Firm* — Warn Partners, P.C.

(75) Inventors: **Sarah Nassiri**, Gregory, MI (US); **Brian Sulisz**, Gregory, MI (US)

(57) **CLAIM**
The ornamental design for a self-contained medication apparatus, as shown and described.

(73) Assignee: **Meninas Inc.**, Gregory, MI (US)

(**) Term: **14 Years**

DESCRIPTION

(21) Appl. No.: **29/373,818**

FIG. 1 is a perspective view of the self-contained medication apparatus of the present invention;
FIG. 2 is a top plan view of the self-contained medication apparatus of FIG. 1;
FIG. 3 is a side view of the self-contained medication apparatus of FIG. 1 as seen from the right hand side of FIG. 1;
FIG. 4 is a bottom plan view of the self-contained medication apparatus of FIG. 1;
FIG. 5 is a side view of the self-contained medication apparatus of FIG. 1 as seen from the left hand side of FIG. 1;
FIG. 6 is a front view of the self-contained medication apparatus of FIG. 1;
FIG. 7 is a rear view of the self-contained medication apparatus of FIG. 1; and,
FIG. 8 is a sectional view of a self-contained medication apparatus shown along line 8-8 in FIG. 2.
The broken line showing of environment in FIG. 8 is included for the purpose of illustrating only and forms no part of the claimed design.

(22) Filed: **May 25, 2011**

(51) **LOC (9) Cl.** **03-01**

(52) **U.S. Cl.** **D3/203.2**

(58) **Field of Classification Search** D3/201–205,
D3/207–208, 210, 265; 206/528–540; D28/88–89;
D9/770, 780, 783

See application file for complete search history.

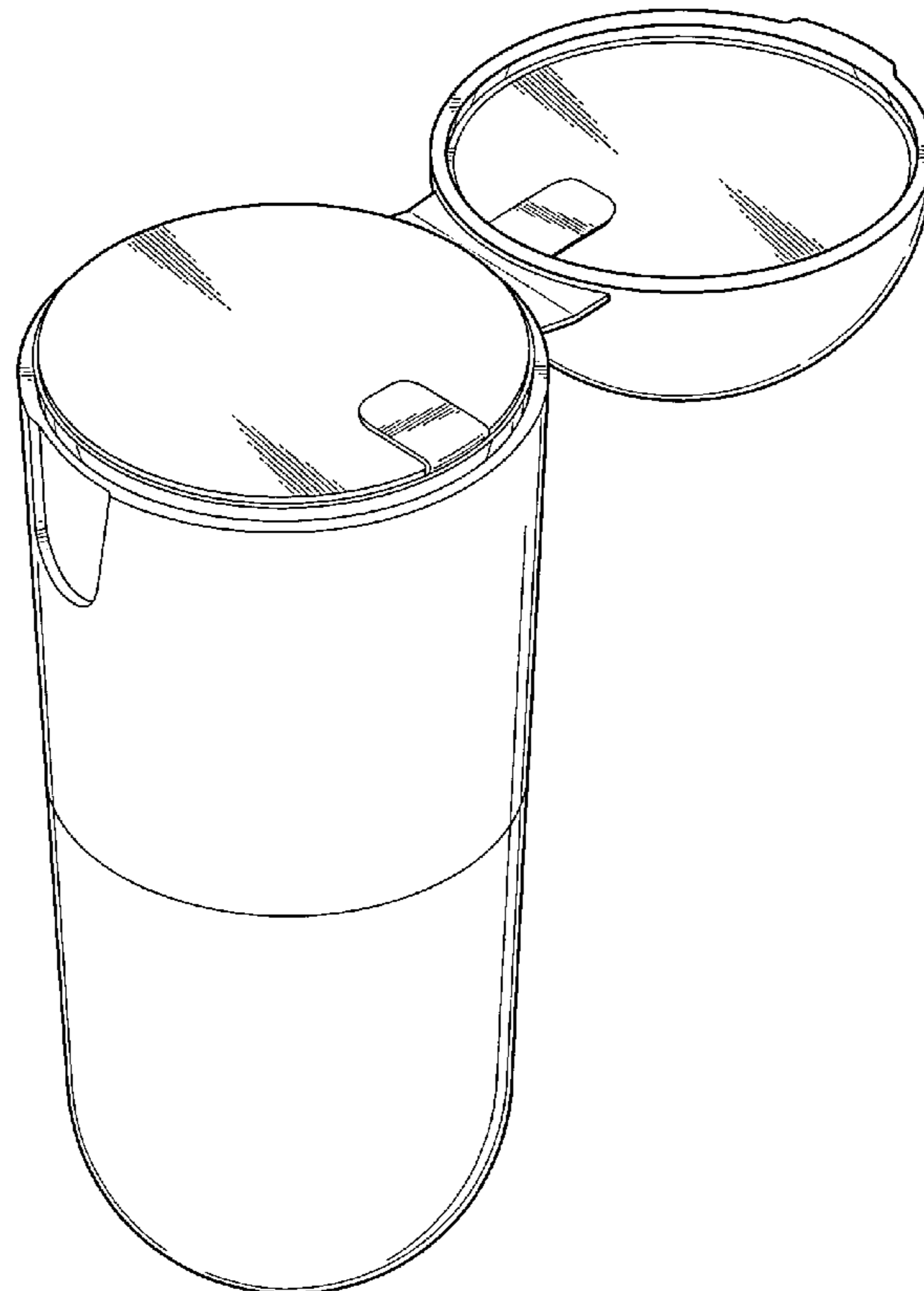
(56) **References Cited**

U.S. PATENT DOCUMENTS

D129,716 S *	9/1941	Trollen	D3/208
D297,820 S *	9/1988	Chan	D3/207
D317,526 S *	6/1991	Lapham	D3/265
D434,560 S *	12/2000	Chao	D3/265
D455,261 S *	4/2002	Browne	D3/265
D458,837 S *	6/2002	Cragie	D3/203.2
D498,584 S *	11/2004	DiMarchi et al.	D3/203.2
D613,495 S *	4/2010	Foreman	D3/203.2

* cited by examiner

1 Claim, 5 Drawing Sheets



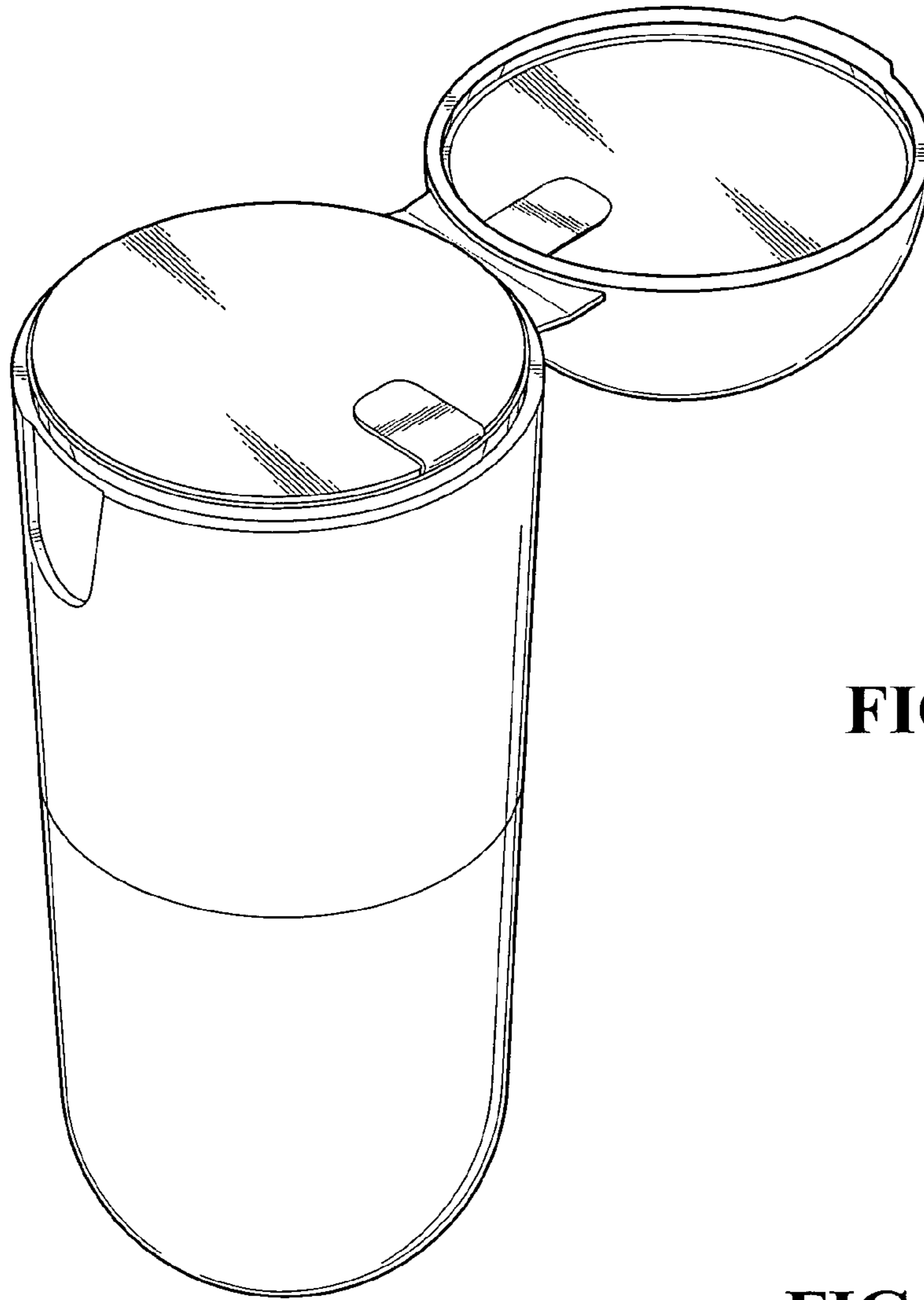


FIG. 1

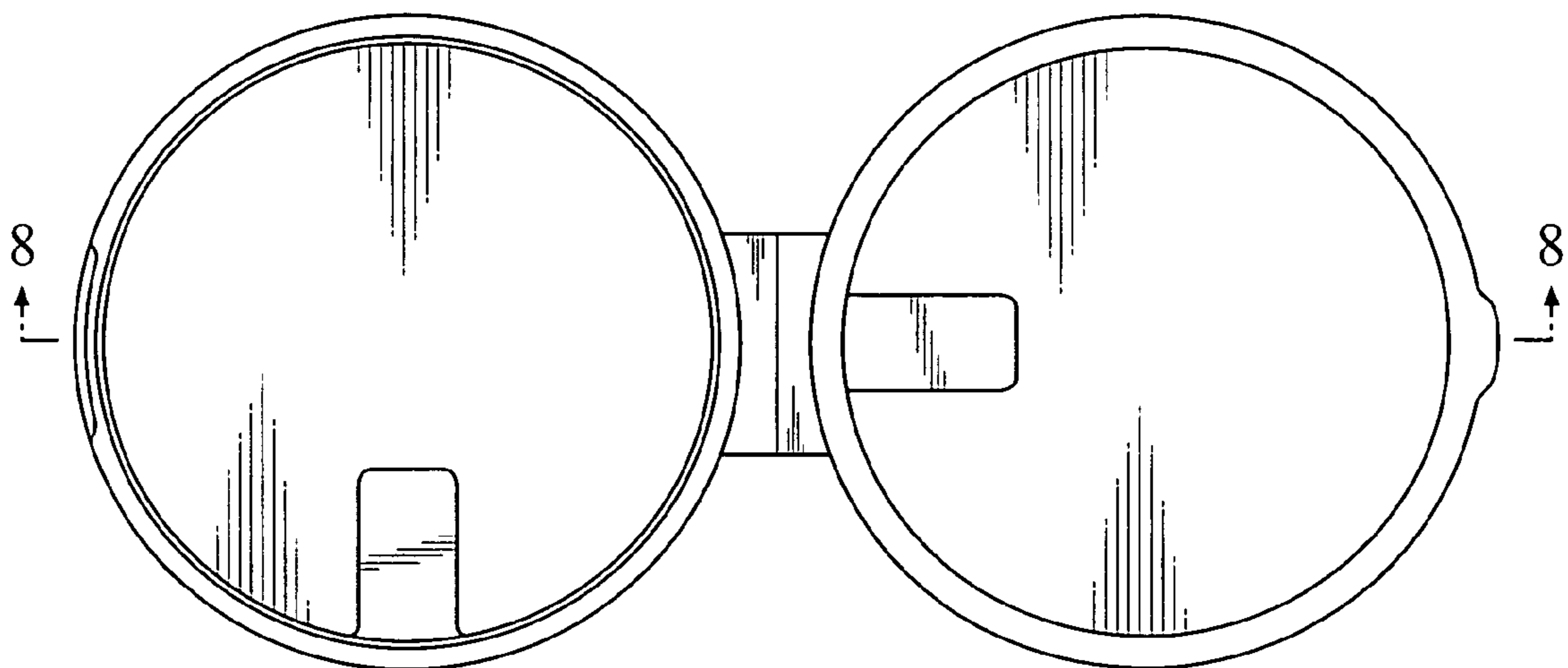
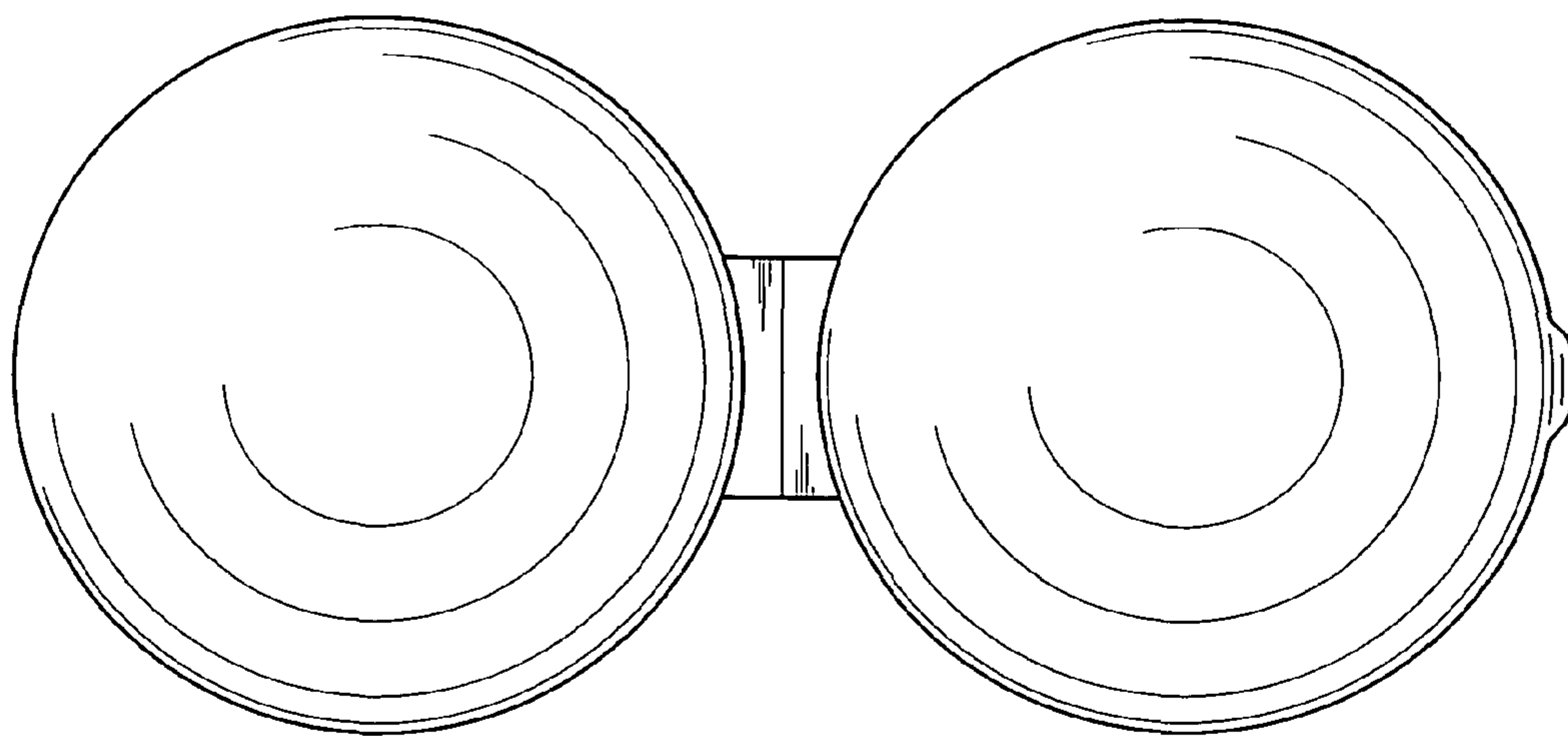
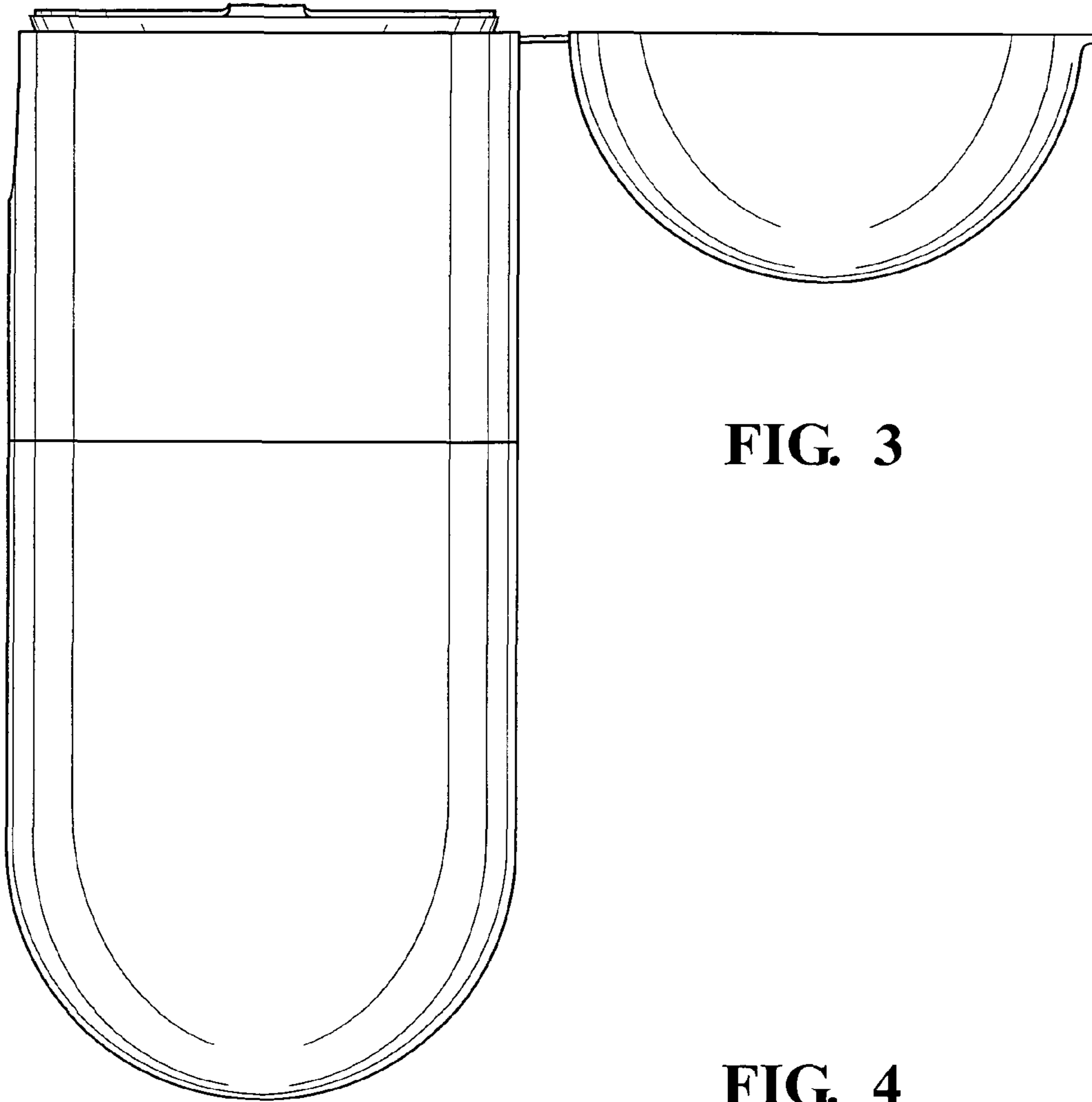


FIG. 2



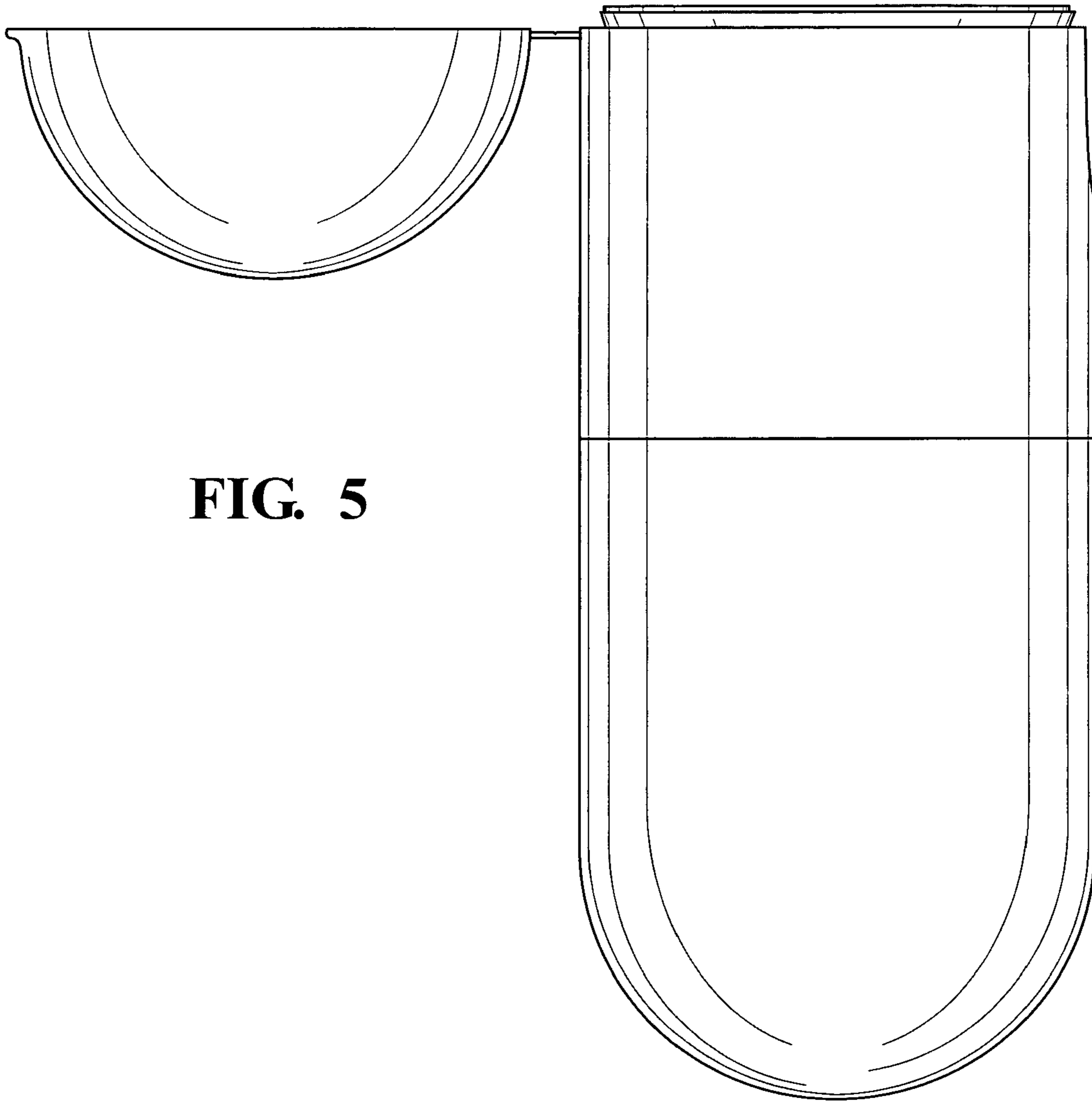


FIG. 5

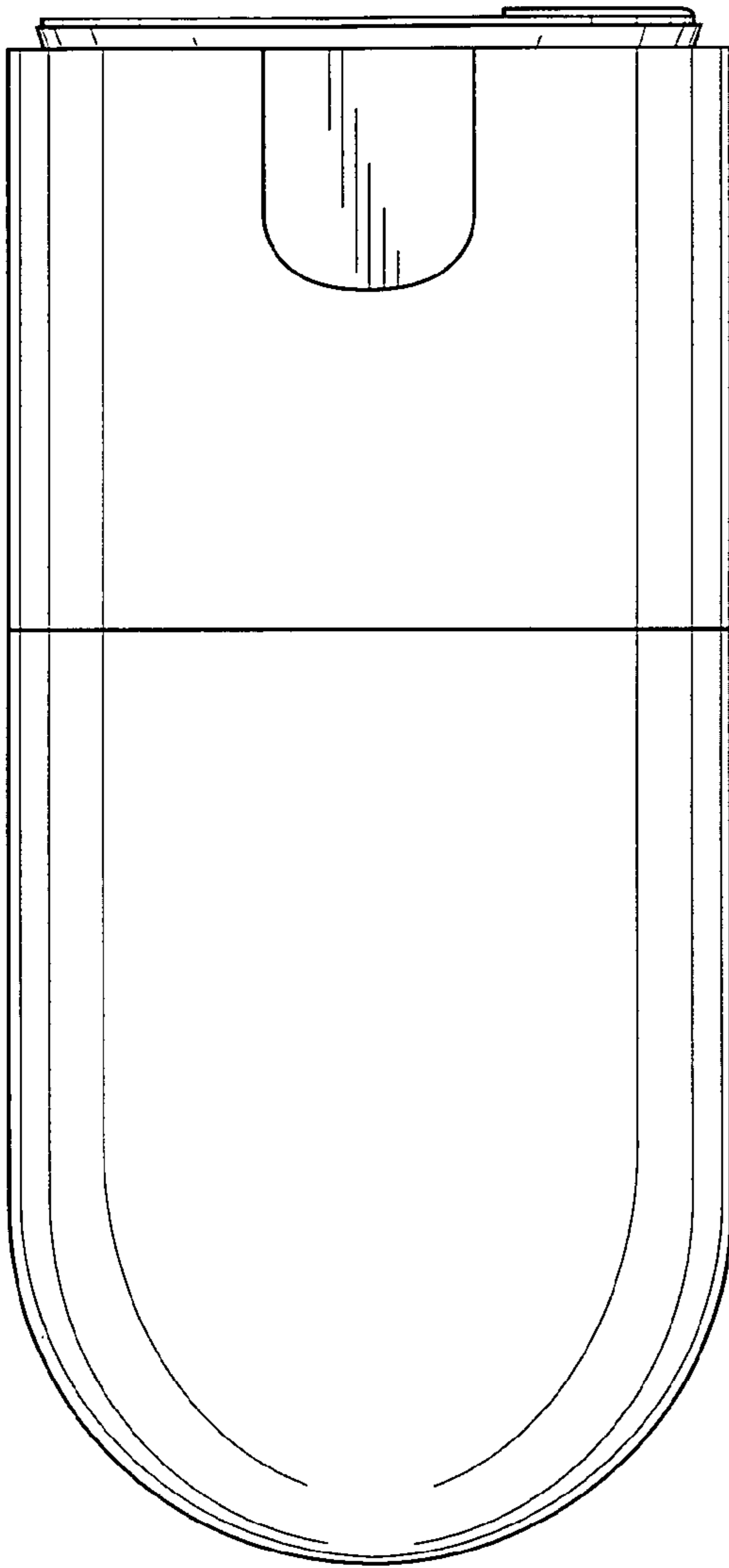


FIG. 6

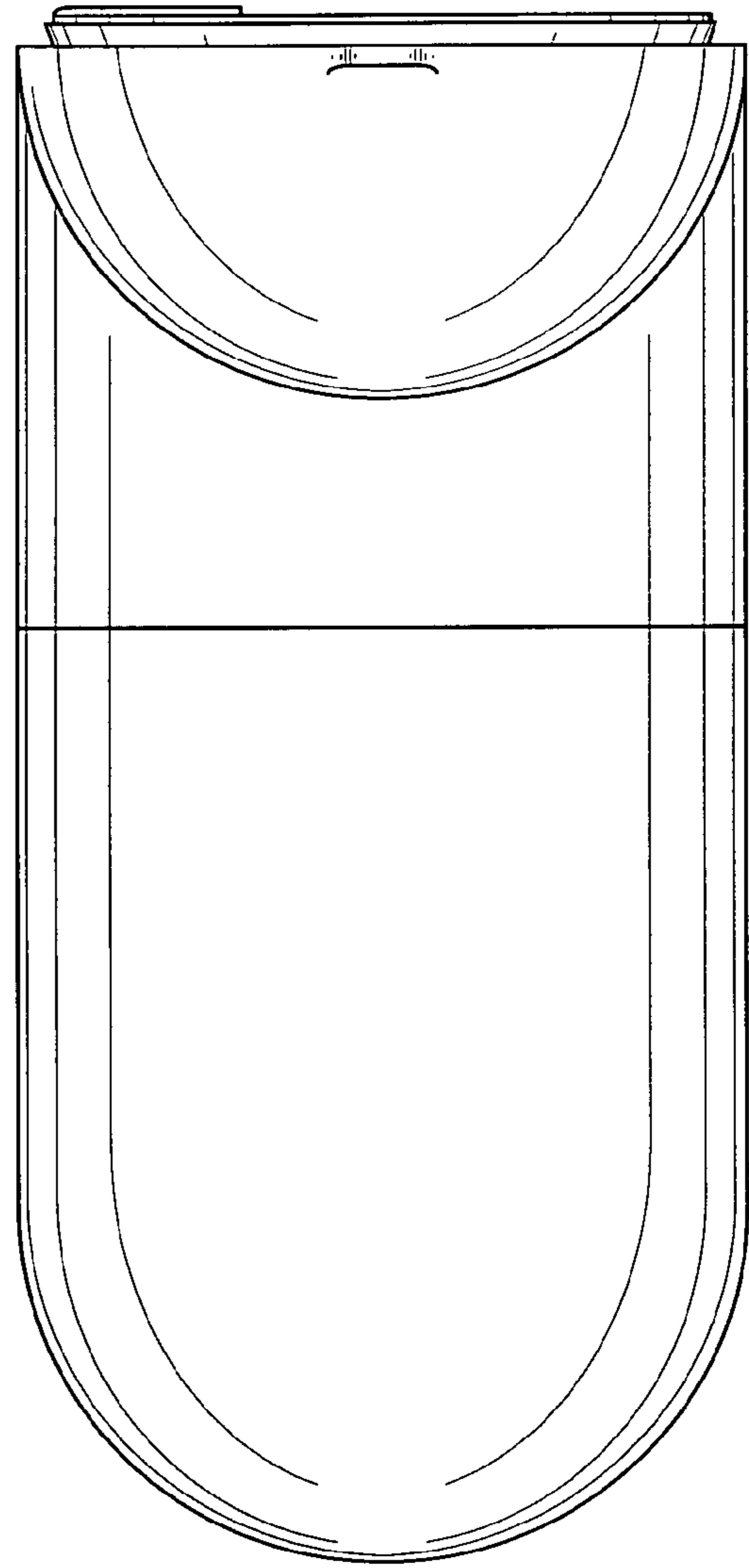


FIG. 7

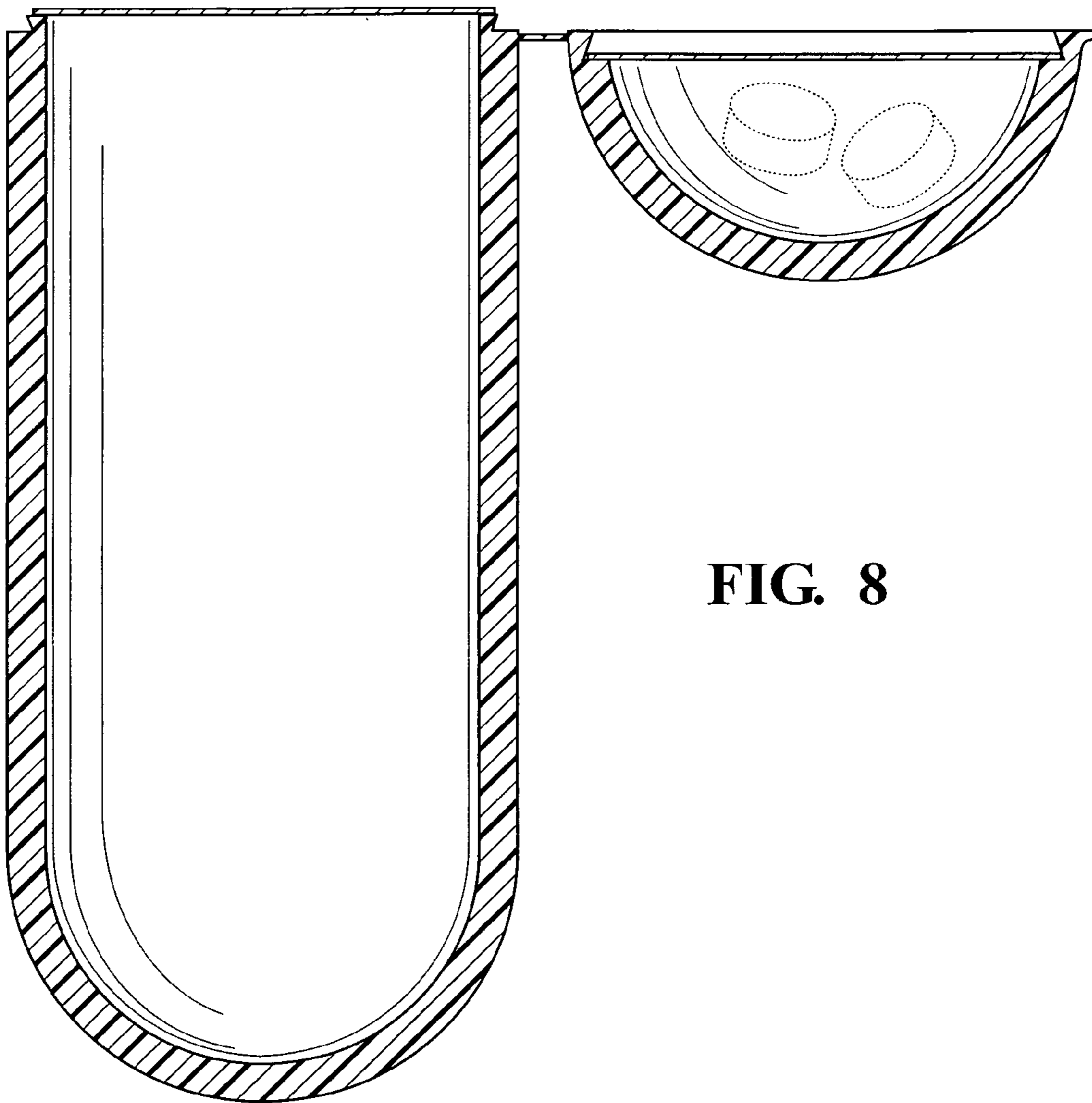


FIG. 8