



US00D658355S

(12) **United States Design Patent**
Guerrero

(10) **Patent No.:** **US D658,355 S**

(45) **Date of Patent:** **** May 1, 2012**

(54) **PANTS**

(76) Inventor: **Lee J. Guerrero**, Pueblo, CO (US)

(**) Term: **14 Years**

(21) Appl. No.: **29/391,394**

(22) Filed: **May 7, 2011**

(51) **LOC (9) Cl.** **02-02**

(52) **U.S. Cl.** **D2/742**

(58) **Field of Classification Search** D2/712,
D2/731, 738, 742; 2/227, 228, 236-238
See application file for complete search history.

D572,434 S * 7/2008 Yeates et al. D2/742
D619,332 S 7/2010 Pouches
D622,935 S 9/2010 Jackson et al.
D641,959 S * 7/2011 Abrams et al. D2/742
2010/0136882 A1* 6/2010 Malish 450/11
2011/0099682 A1* 5/2011 Earley 2/115

* cited by examiner

Primary Examiner — Rashida Johnson

(74) *Attorney, Agent, or Firm* — QuickPatents, Inc.; Kevin Prince

(57) **CLAIM**

I claim the ornamental design for pants, as shown and described.

(56) **References Cited**

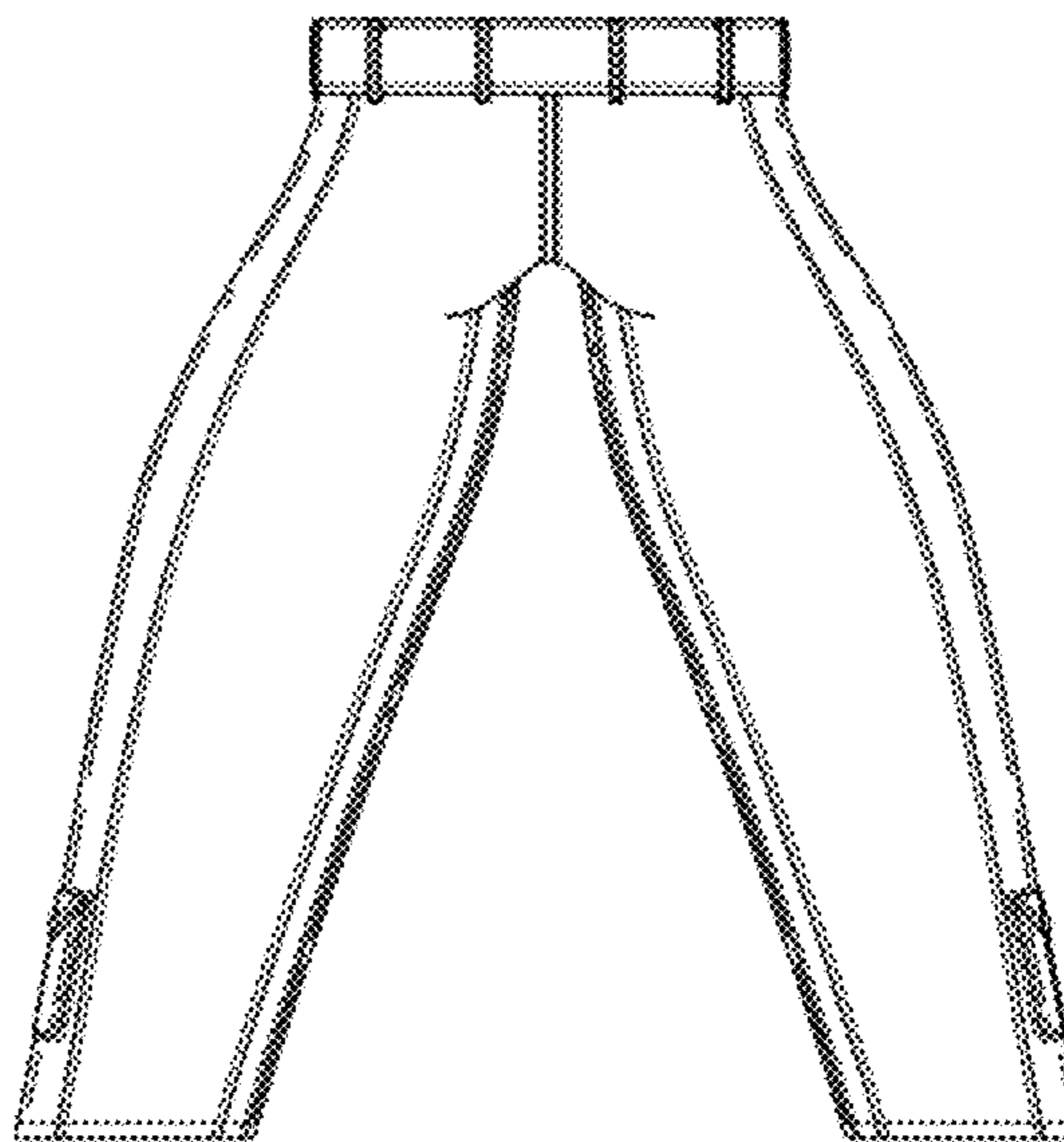
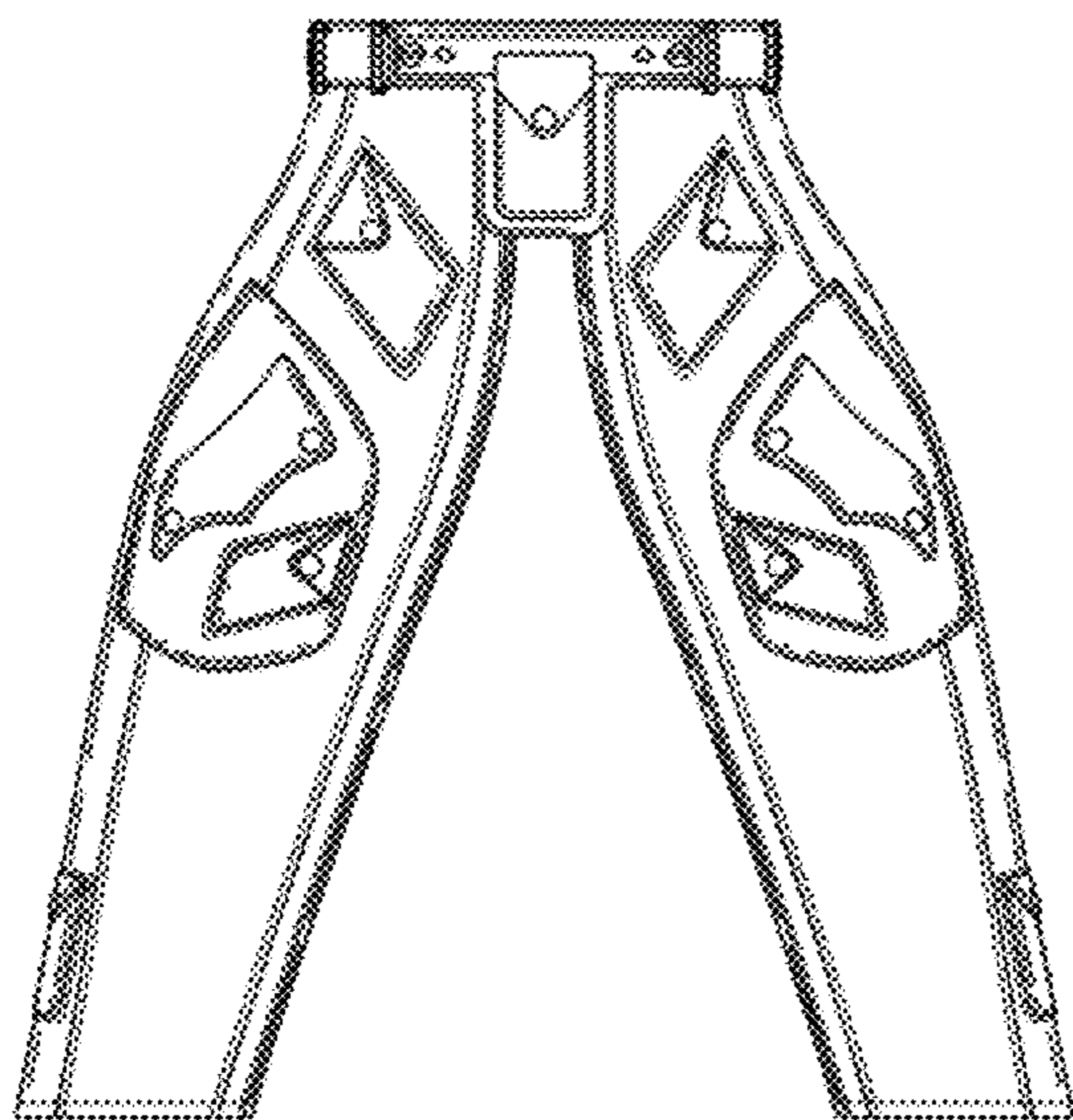
U.S. PATENT DOCUMENTS

907,050	A *	12/1908	Hestness	2/23
932,990	A *	8/1909	Madill et al.	2/227
1,099,875	A *	6/1914	Fuiks	2/227
1,861,383	A	5/1932	Ficcio		
2,385,178	A	10/1944	Abzug		
2,663,876	A *	12/1953	Miller et al.	2/227
2,923,009	A	2/1960	Cookman		
3,246,342	A	4/1966	Pagano		
D226,643	S	4/1973	Lyman		
D271,537	S	11/1983	Alsop		
D292,740	S	11/1987	Viola		
5,008,962	A	4/1991	Smith et al.		
D393,141	S *	4/1998	Glycenfer	D2/742
D410,689	S	6/1999	Slokevage		
6,338,164	B1 *	1/2002	Howard	2/242
6,839,917	B1 *	1/2005	Landwehr	2/455
D505,535	S	5/2005	Kern		
D513,658	S	1/2006	Langmyr		
D529,260	S	10/2006	Langmyr		
D535,084	S *	1/2007	Kelty	D2/742
D550,428	S	9/2007	Kern		

DESCRIPTION

FIG. 1 is a perspective view of a pair of pants, showing my new design with a front wallet flap in an upright position; FIG. 2 is a front elevational view of FIG. 1; FIG. 3 is a front elevational view thereof, illustrated the front wallet flap in a lowered position; FIG. 4 is a rear elevational view of FIG. 1; FIG. 5 is a top plan view of FIG. 1; FIG. 6 is a bottom plan view of FIG. 1; FIG. 7 is a right-side elevational view of FIG. 3, the left-side elevational view being a mirror image thereof; FIG. 8 is a partial, enlarged right-side elevational view of FIG. 3, illustrated with the front wallet flap and a rear flap both in the lowered position, the left-side elevational view being a mirror image thereof; and, FIG. 9 is a perspective view of FIG. 3. The broken lines represent stitching, and are part of the claimed design.

1 Claim, 5 Drawing Sheets



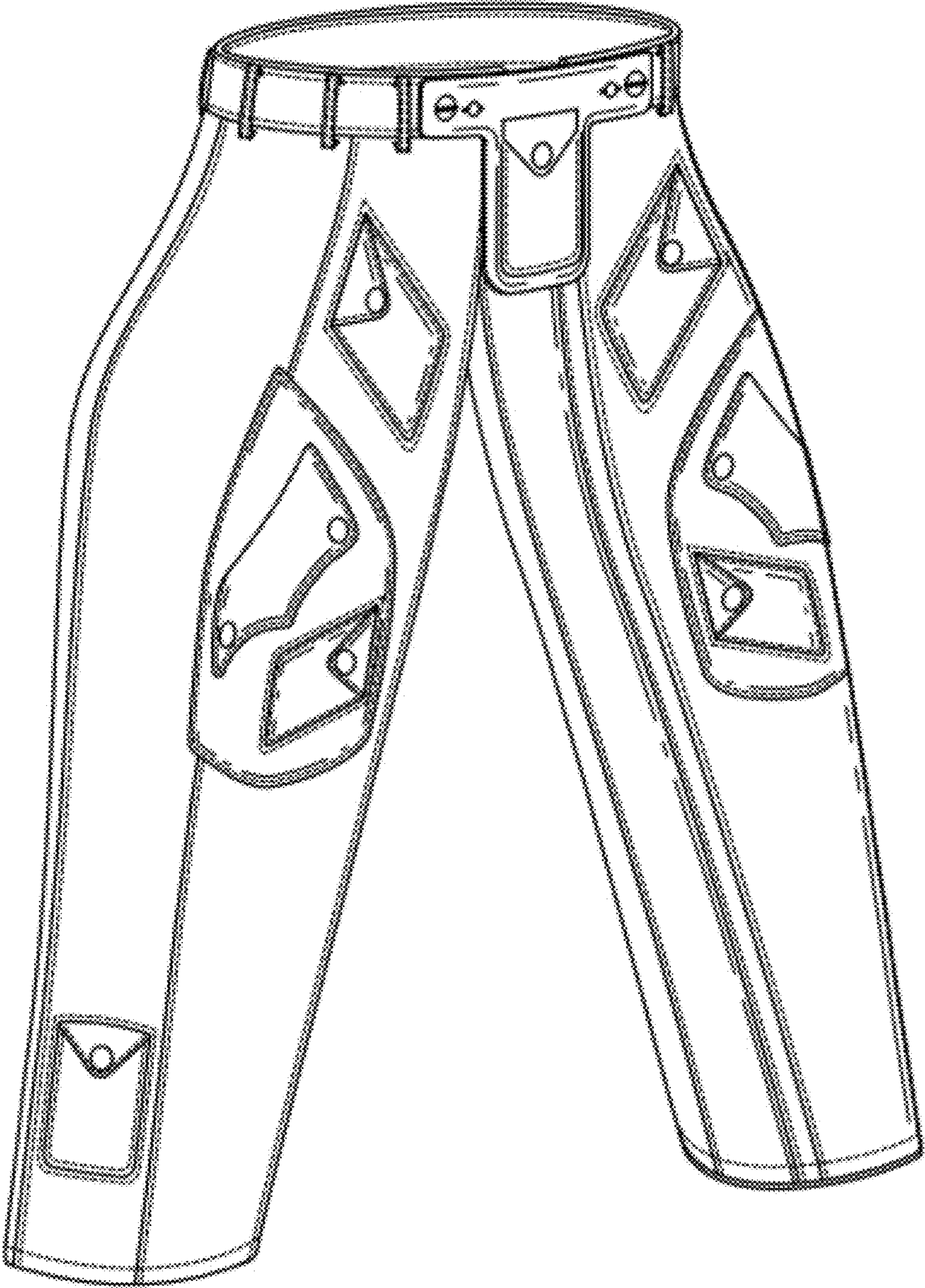


FIG. 1

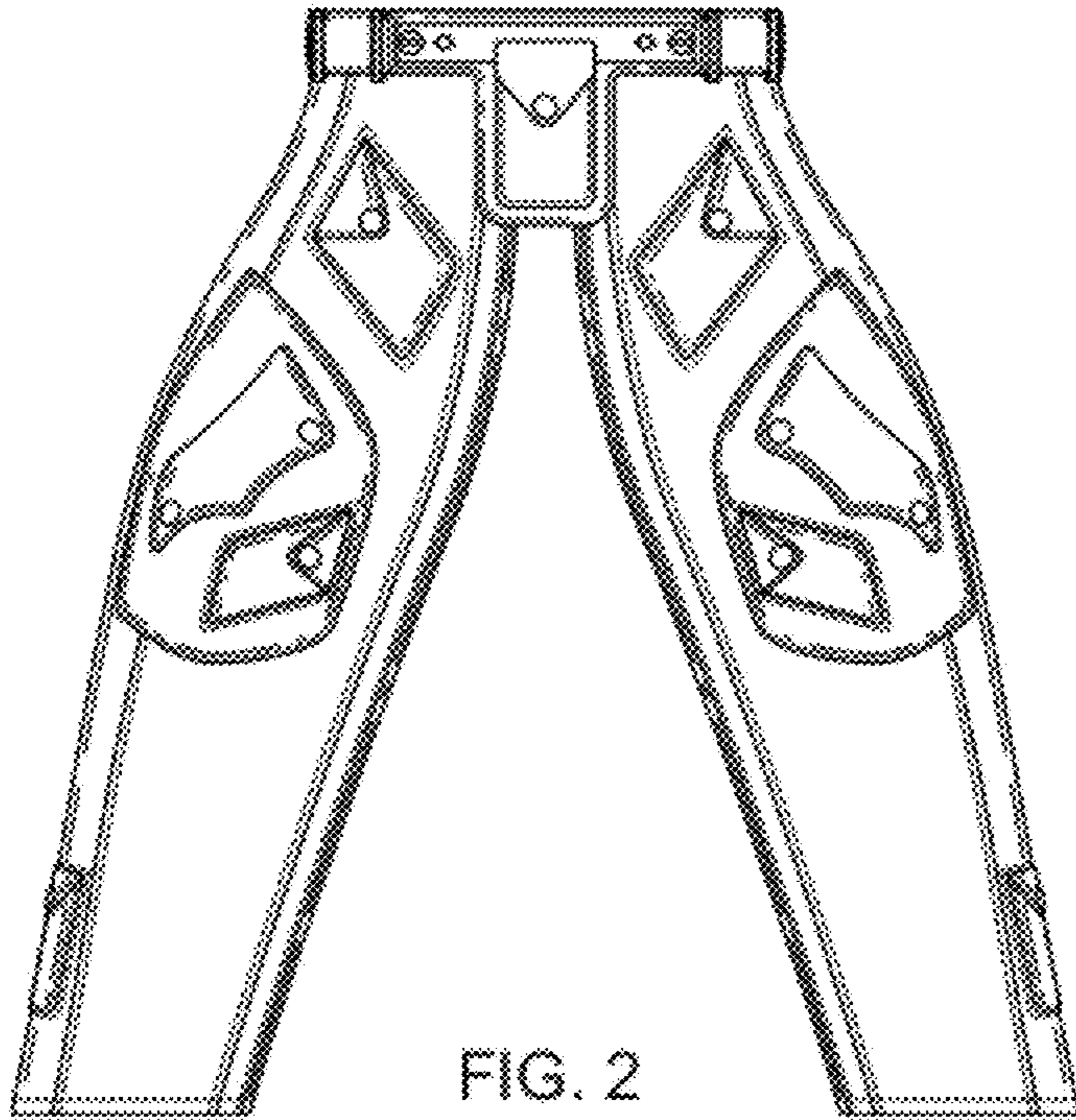


FIG. 2

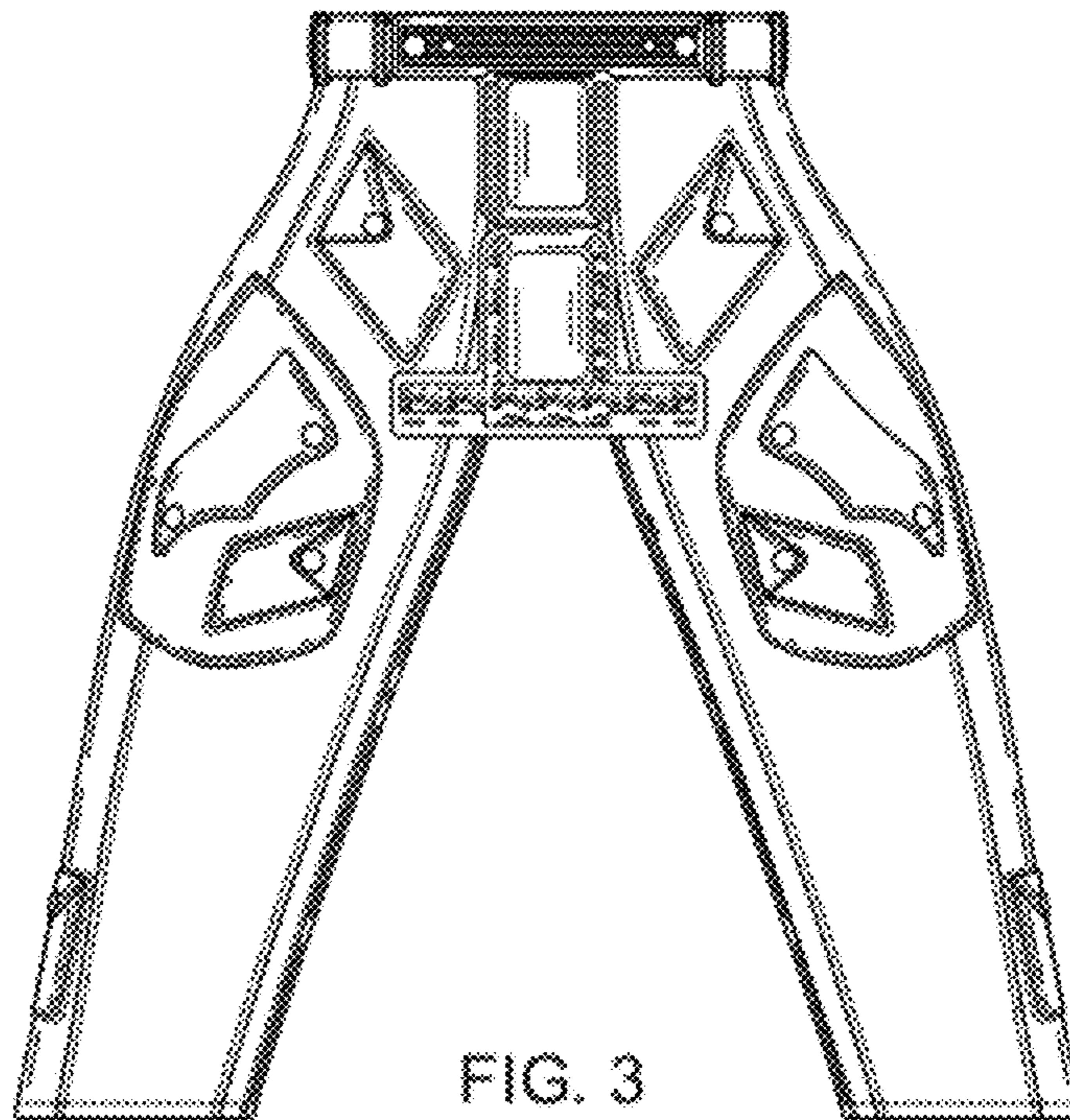


FIG. 3

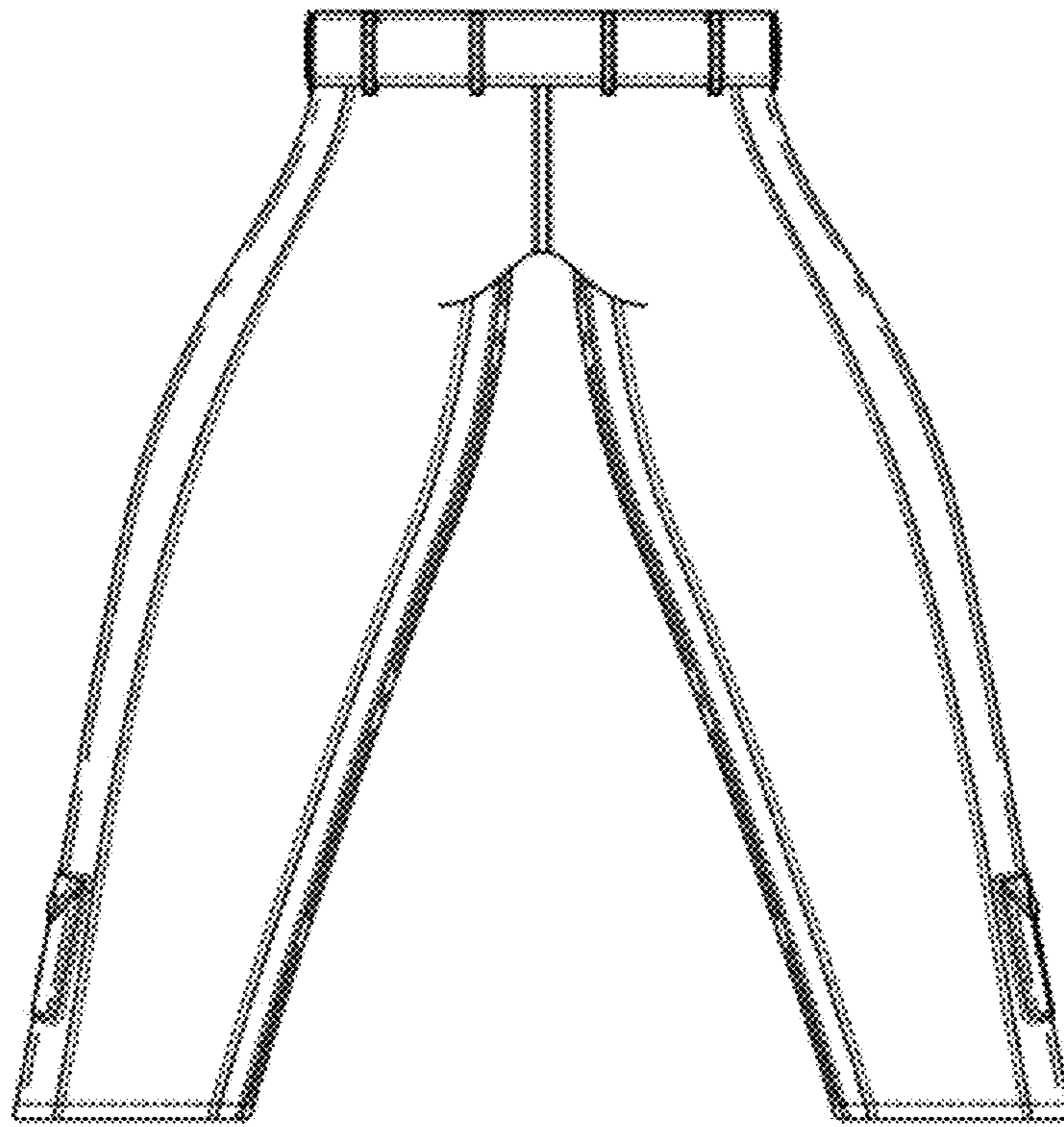


FIG. 4

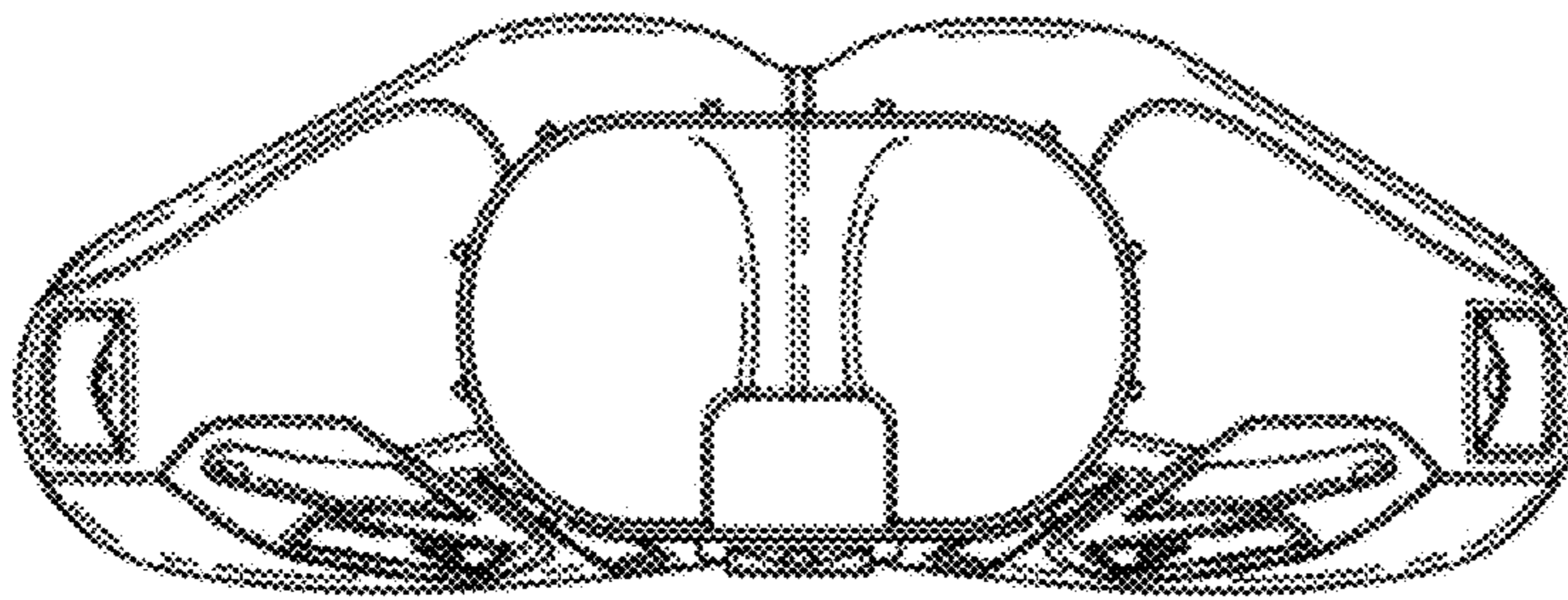
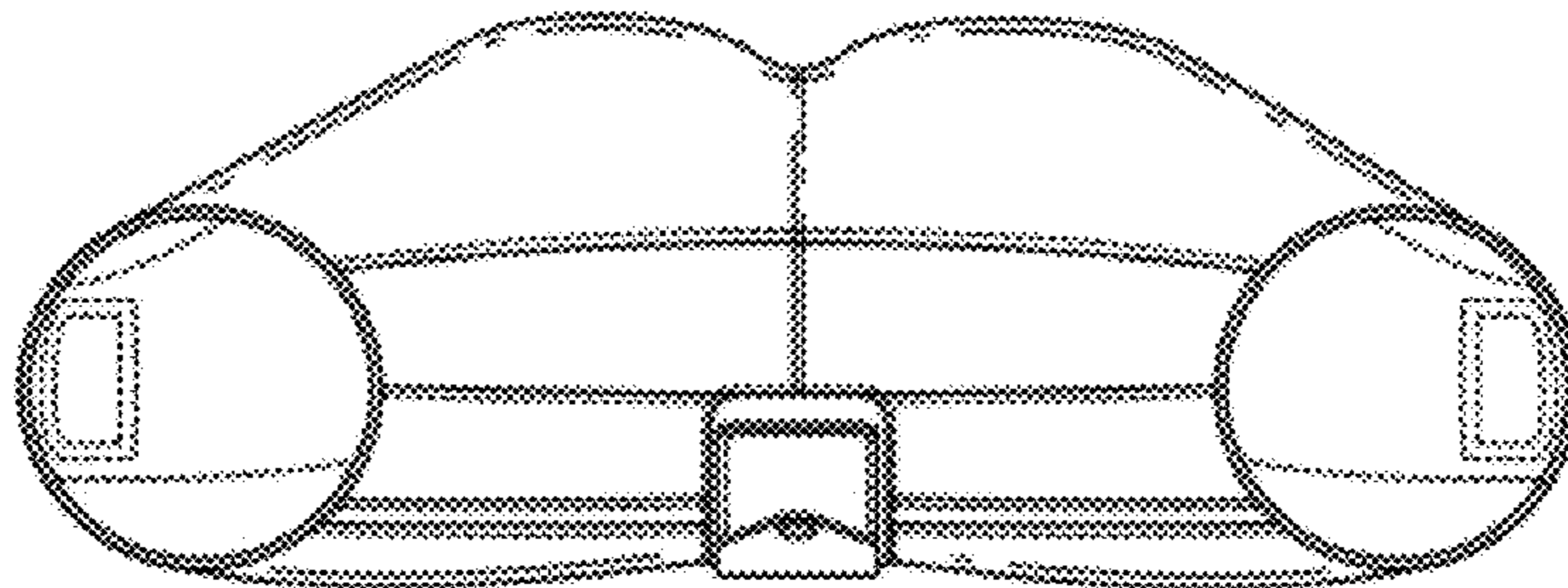


FIG. 5

FIG. 6



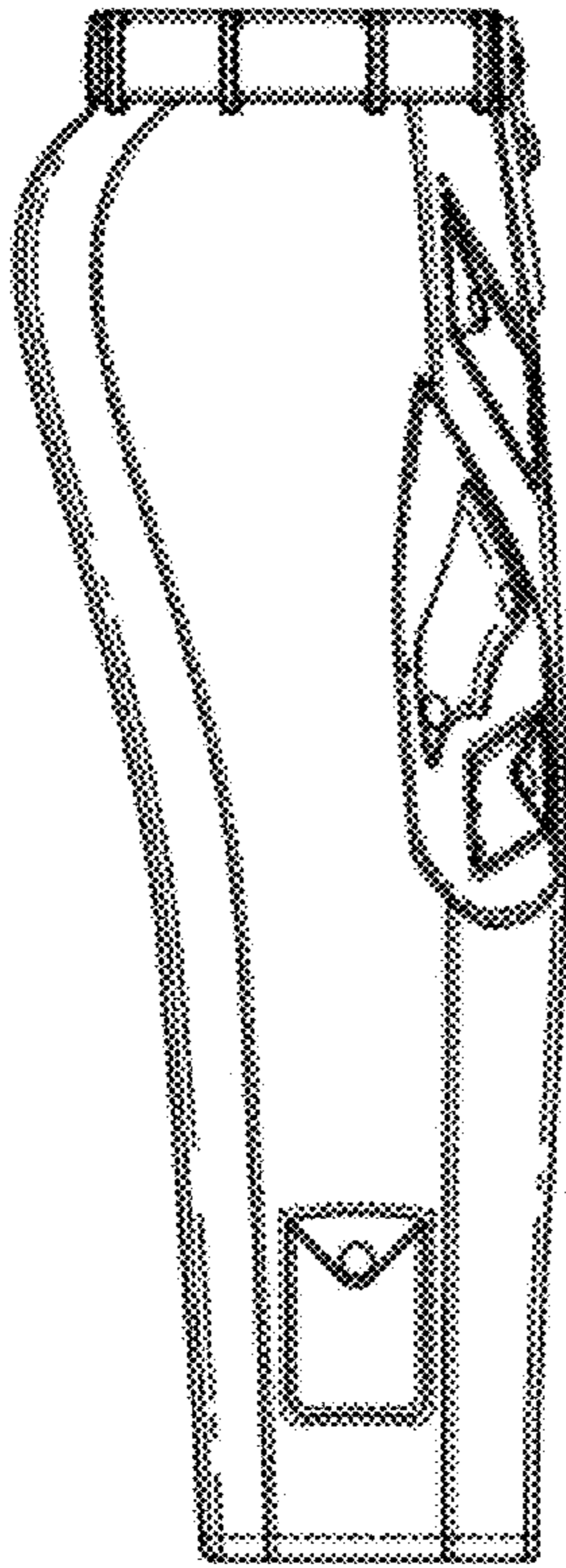


FIG. 7

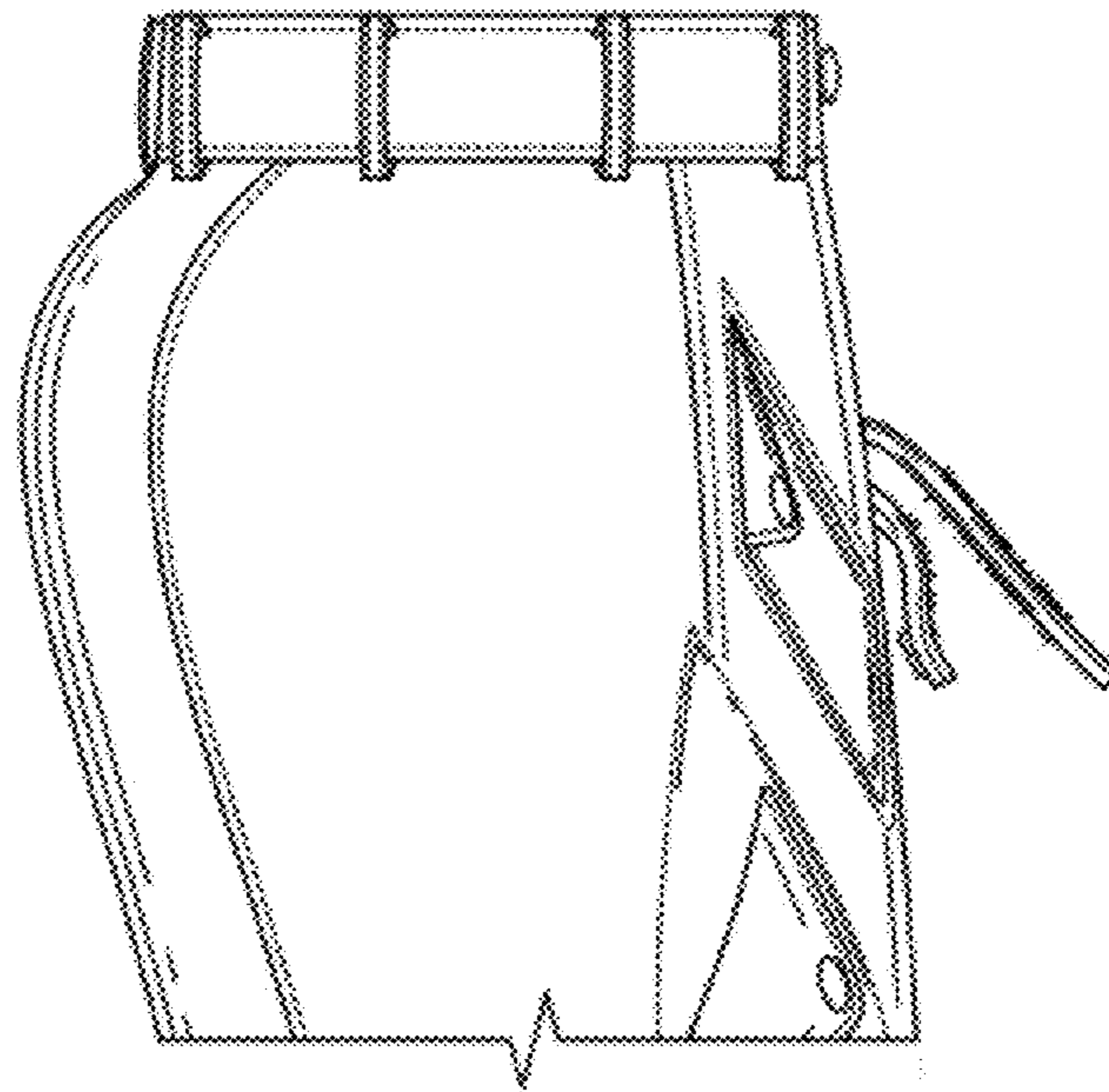


FIG. 8

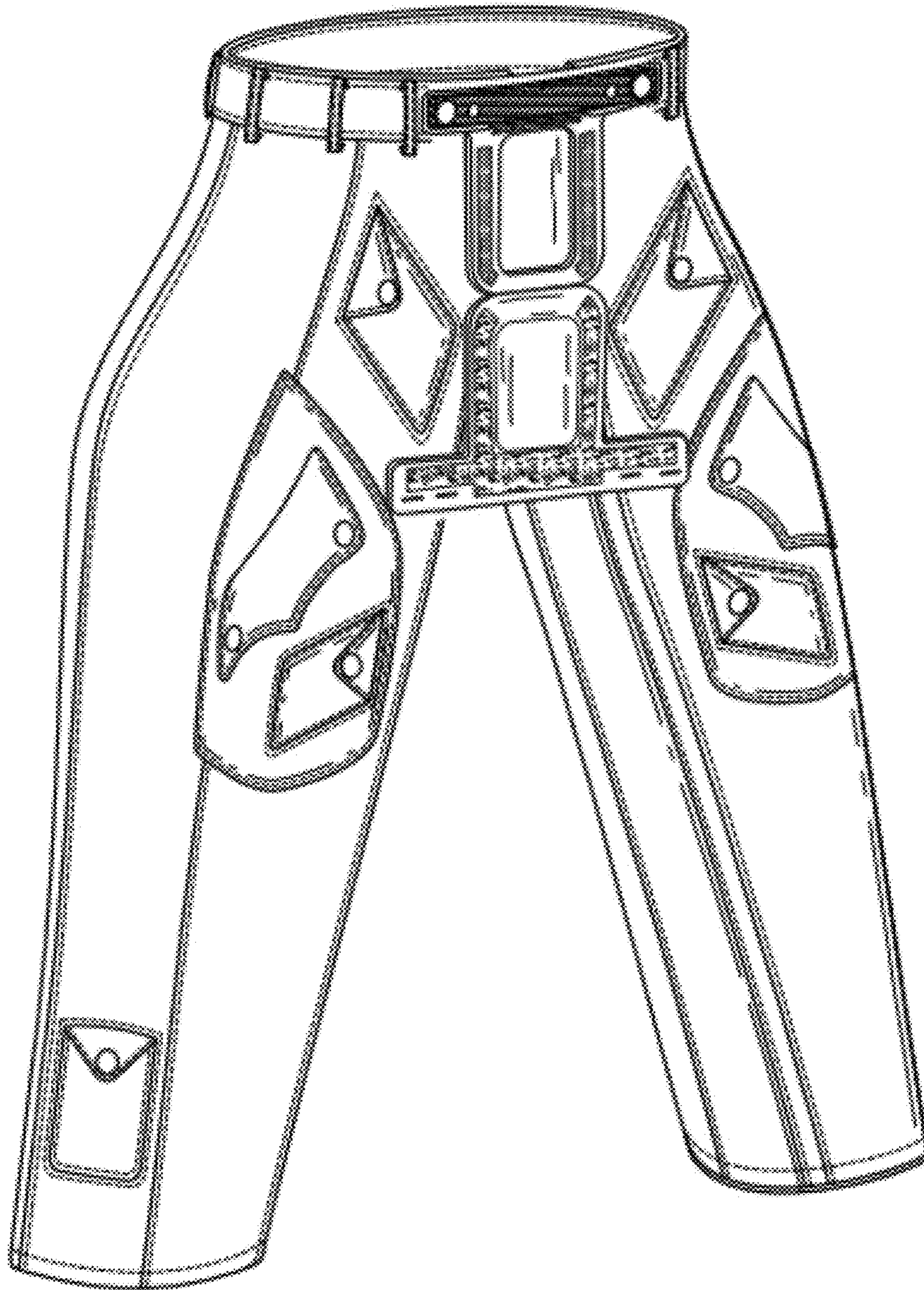


FIG. 9