



US00D658349S

(12) **United States Design Patent**
Glennie

(10) **Patent No.:** **US D658,349 S**

(45) **Date of Patent:** **** May 1, 2012**

(54) **CUTOUT COLLAR**

(76) Inventor: **Eric Glennie**, Apple Valley, MN (US)

(**) Term: **14 Years**

(21) Appl. No.: **29/369,495**

(22) Filed: **Sep. 9, 2010**

(51) **LOC (9) Cl.** **02-01**

(52) **U.S. Cl.** **D2/602**

(58) **Field of Classification Search** D2/600,
D2/602, 605, 834, 836, 840, 842, 845, 847,
D2/849, 853, 854; 2/98, 115, 116, 127, 128,
2/129, 130, 131, 133, 135, 136, 137, 138,
2/139

See application file for complete search history.

(56) **References Cited**

U.S. PATENT DOCUMENTS

86,180	A *	1/1869	Saladee	2/129
393,548	A *	11/1888	Falkenberg et al.	2/116
493,956	A *	3/1893	Wiley	2/116
790,064	A *	5/1905	Lawrence	2/138
932,848	A *	8/1909	Dorf	2/138
2,240,902	A *	5/1941	Flshman	2/115
D133,571	S *	8/1942	Workman	D2/602
2,487,284	A *	11/1949	Thomas	2/132
2,489,466	A *	11/1949	Schramm, Jr.	427/195
D166,797	S *	5/1952	Buford	D2/854
2,598,539	A *	5/1952	Heim	2/130

(Continued)

OTHER PUBLICATIONS

Cutout Shirt Collars by Eric Glennie, [on-line]; [downloaded to the Internet May 11, 2010]; [retrieved from the Internet Sep. 10, 2011]; url: <www.ericglennic.com>. (4 pages).*

Primary Examiner — Karen E Eldridge Powers

(74) *Attorney, Agent, or Firm* — Dicke, Billig & Czaja, PLLC

(57) **CLAIM**

The ornamental design for a cutout collar, as shown and described herein.

DESCRIPTION

FIG. 1 is a perspective view of the cutout collar, shown with the collar buttoned closed and worn with a necktie.

FIG. 2 is a front elevation view of the cutout collar of FIG. 1.

FIG. 3 is a back elevation view of the cutout collar of FIG. 1.

FIG. 4 is a top plan view of the cutout collar of FIG. 1.

FIG. 5 is a first side elevation view of the cutout collar of FIG. 1.

FIG. 6 is a second side elevation view of the cutout collar of FIG. 1.

FIG. 7 is a front elevation view of the cutout collar of FIG. 1 in which the necktie is not worn.

FIG. 8 is a front elevation view of the cutout collar shown unbuttoned and worn with a jacket.

FIG. 9 is a first side elevation view of the cutout collar of FIG. 8.

FIG. 10 is a second side elevation view of the cutout collar of FIG. 8.

FIG. 11 is a top plan view of the cutout collar of FIG. 8.

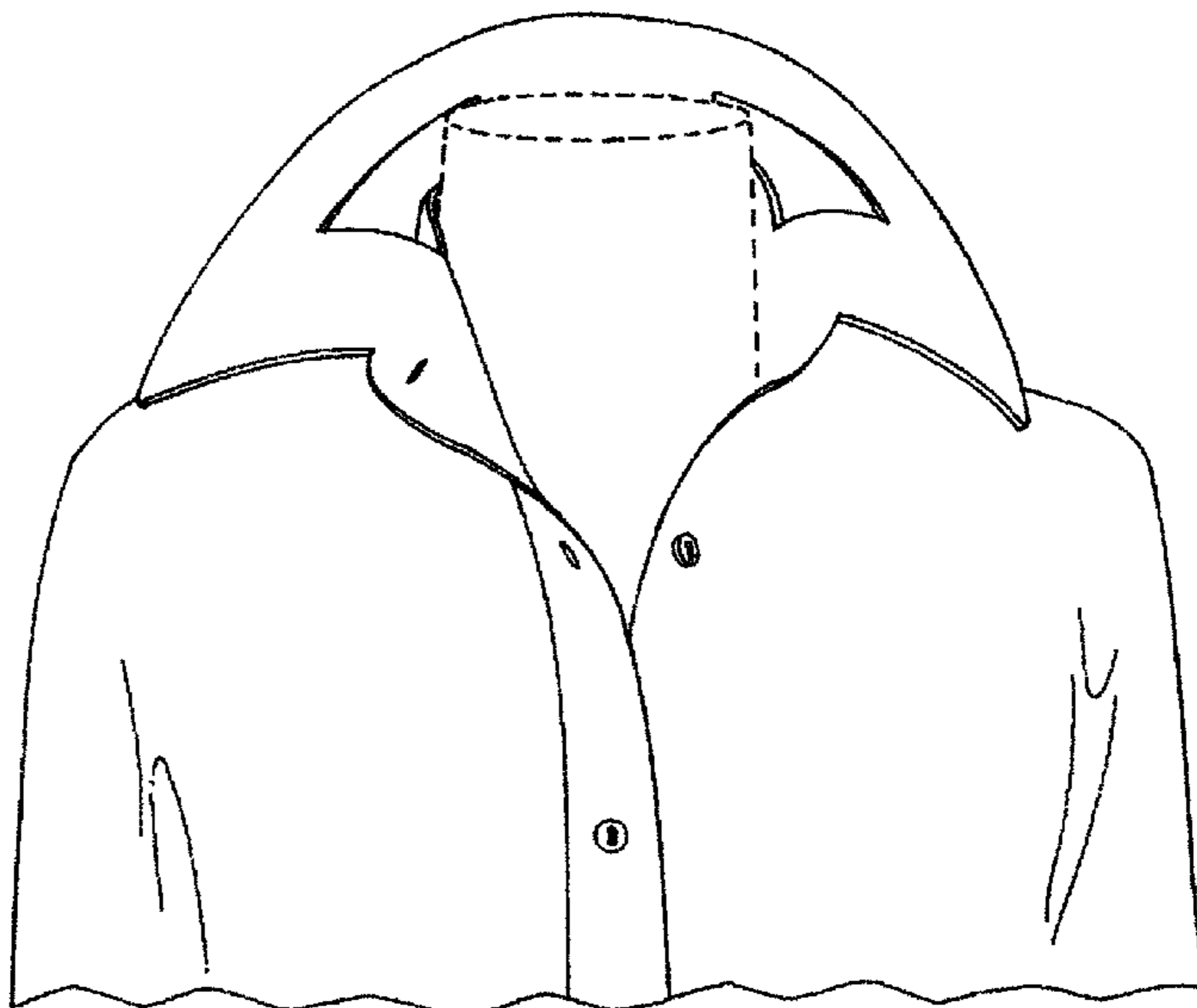
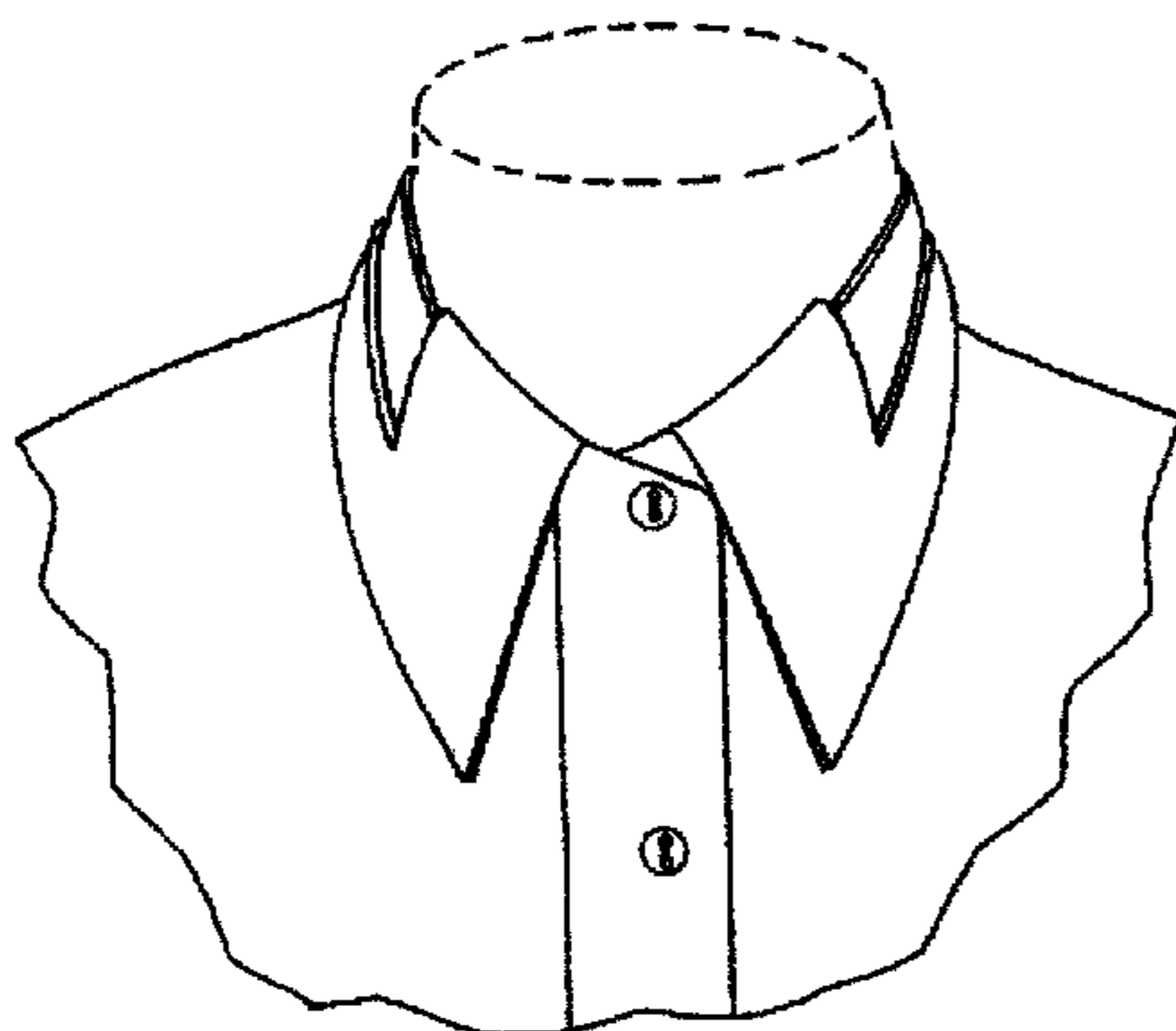
FIG. 12 is a front elevation view of the cutout collar, shown without the jacket and with the collar raised.

FIG. 13 is a rear elevation view of the cutout collar of FIG. 12; and,

FIG. 14 is a side elevation view of the cutout collar of FIG. 12.

The broken lines shown in the drawings illustrate environmental subject matter that forms no part of the claimed design.

1 Claim, 11 Drawing Sheets



US D658,349 S

Page 2

U.S. PATENT DOCUMENTS

3,094,703	A *	6/1963	Bailey	2/96	4,967,420	A *	11/1990	Johnson	2/116
3,203,004	A *	8/1965	Gast	2/128	6,708,344	B2 *	3/2004	Friedman	2/132
D233,186	S *	10/1974	Calhoun	D2/849	D635,335	S *	4/2011	Eckman et al.	D2/849
4,809,626	A *	3/1989	Tyner	2/115	2003/0135910	A1 *	7/2003	Young, Jr.	2/115
4,922,553	A *	5/1990	Morrone	2/132	2009/0083896	A1 *	4/2009	Park	2/140

* cited by examiner

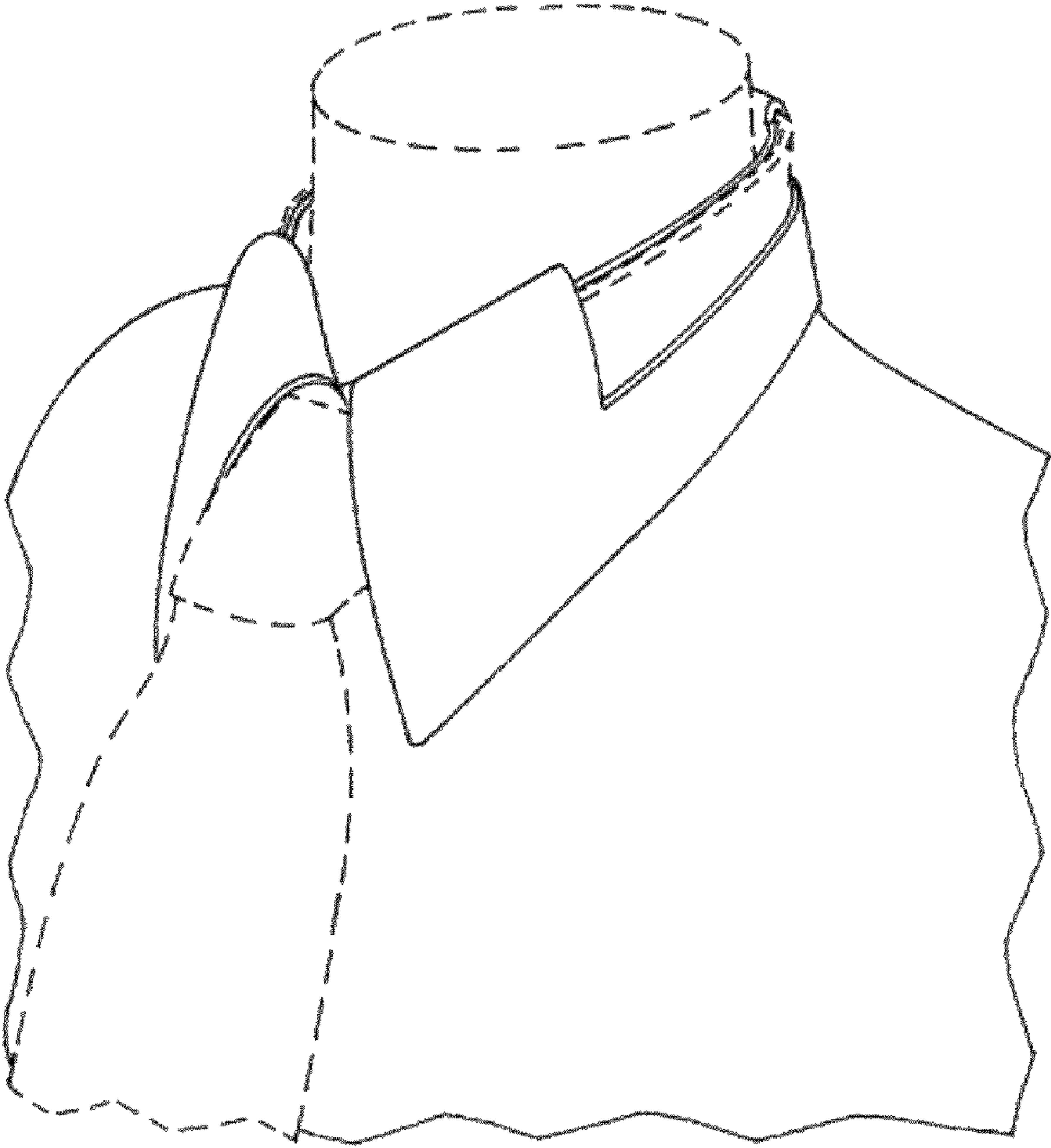


FIG. 1

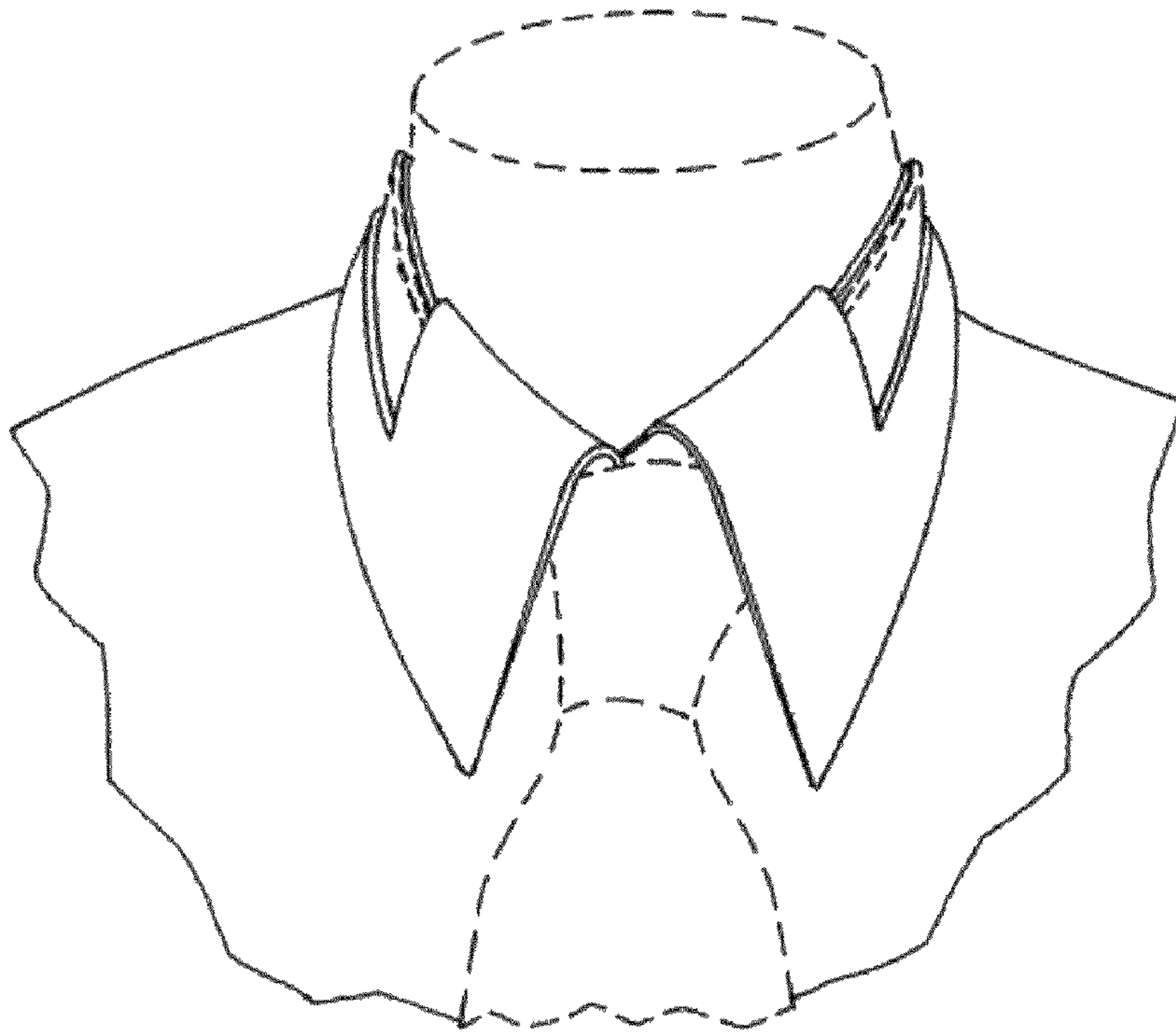


FIG. 2

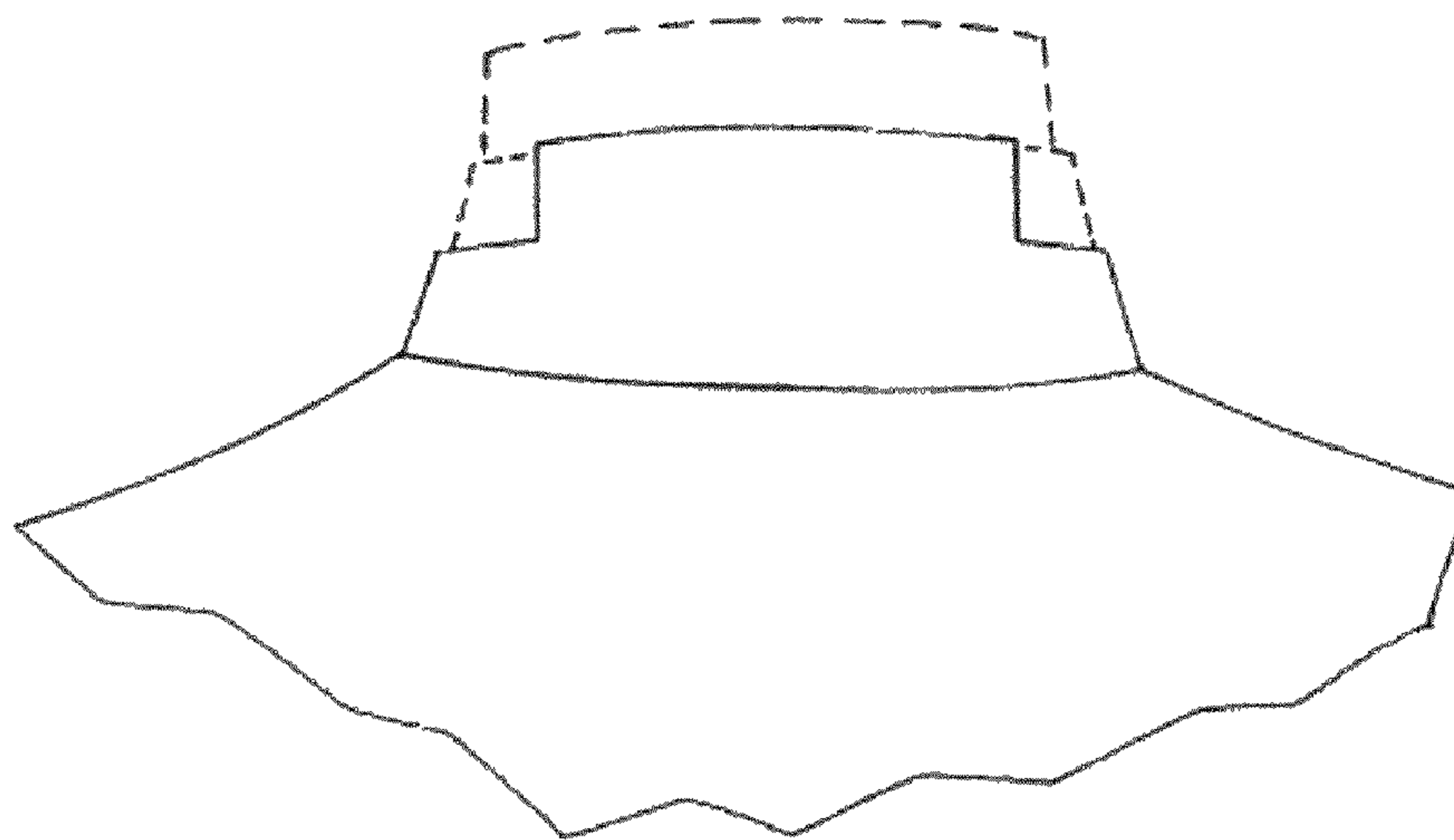


FIG. 3

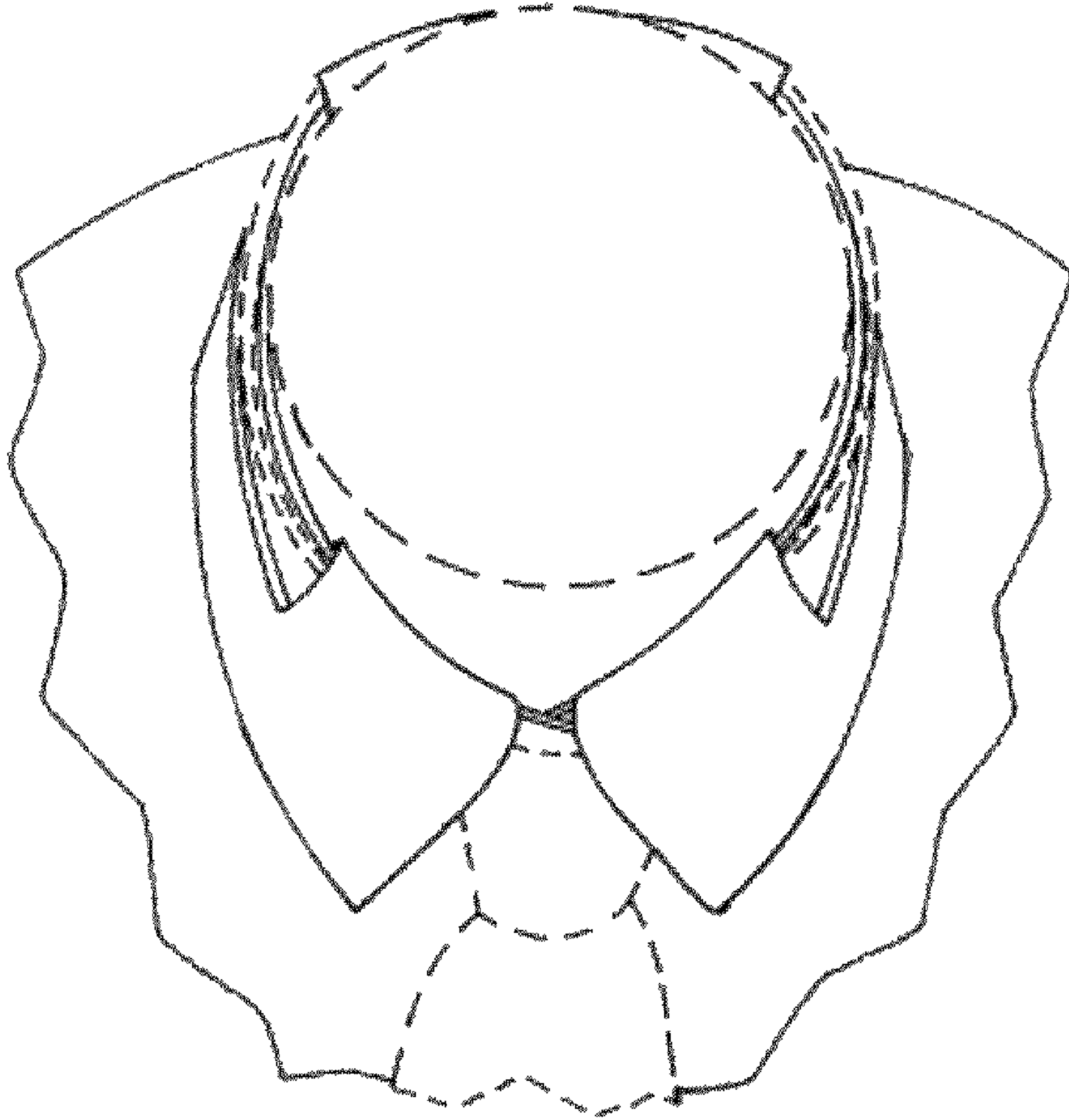


FIG. 4

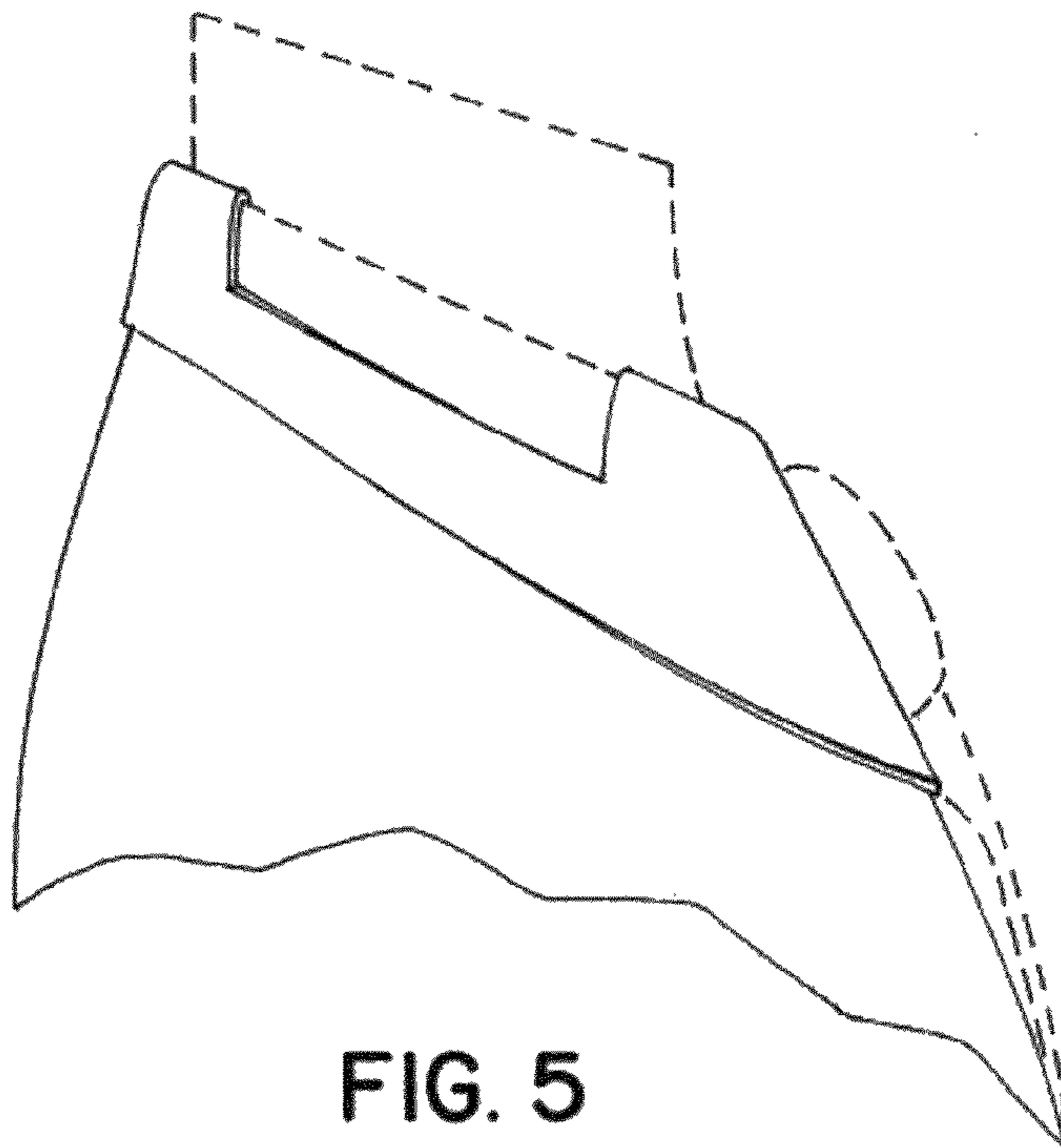


FIG. 5

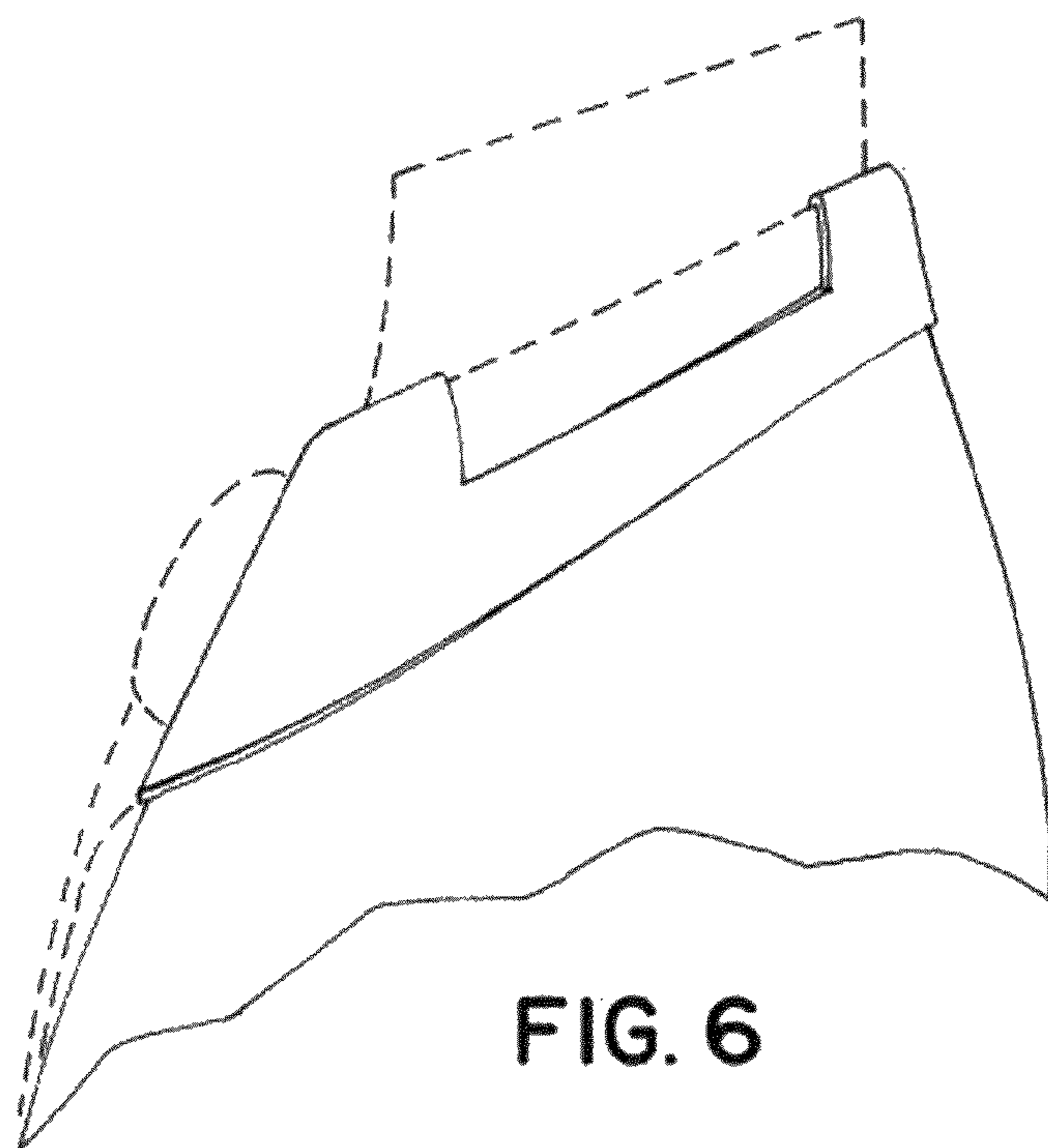


FIG. 6

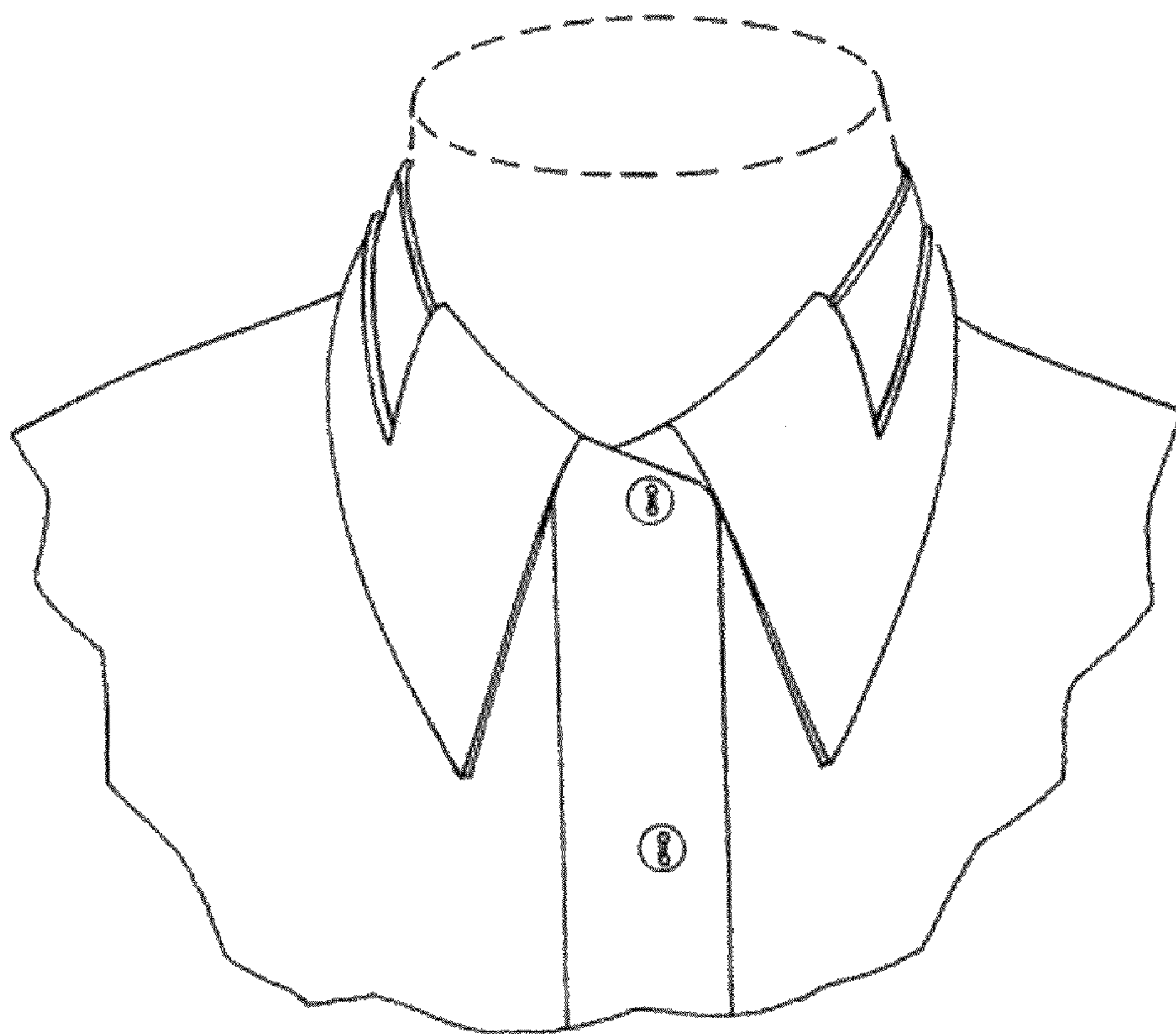


FIG. 7

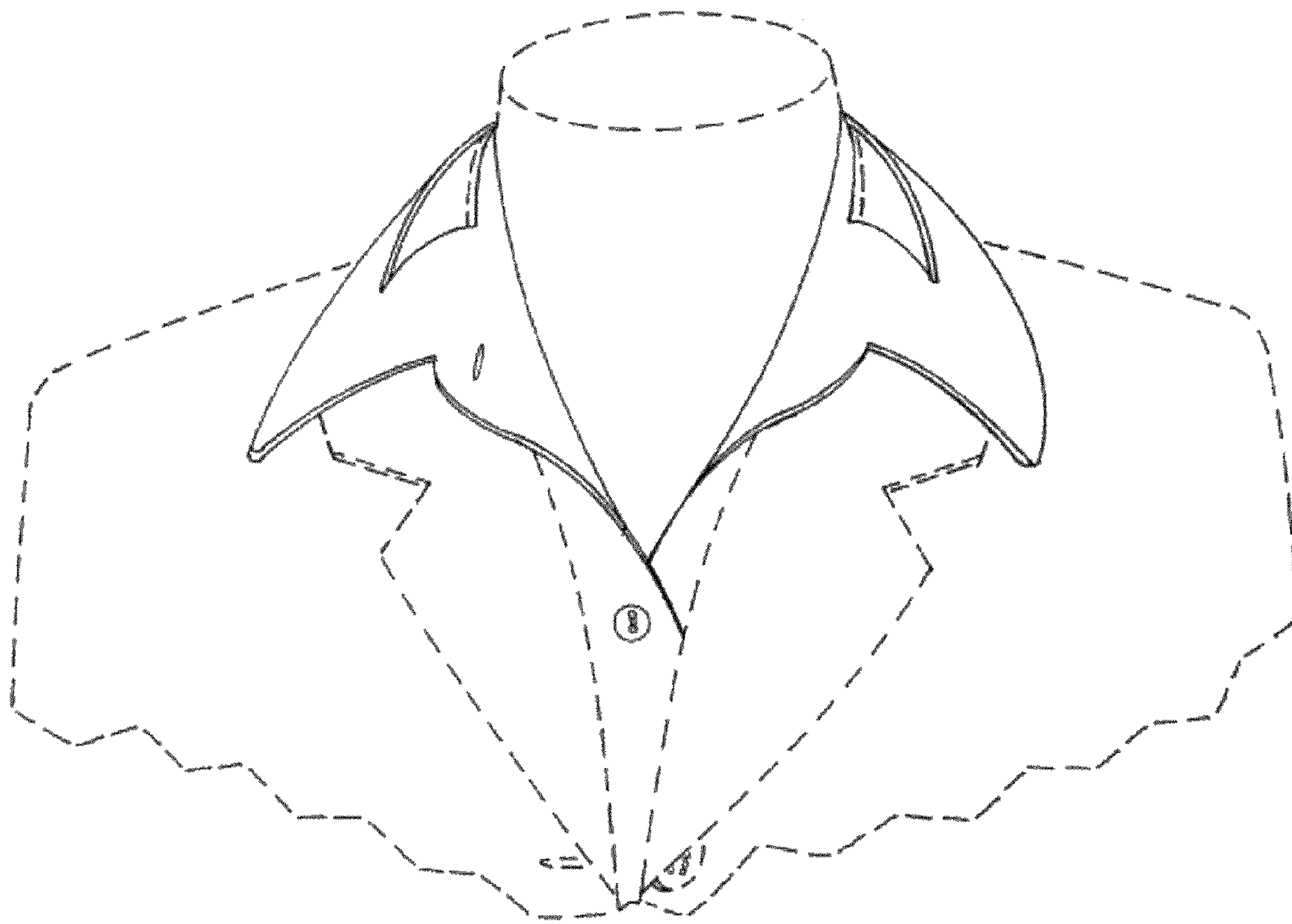


FIG. 8

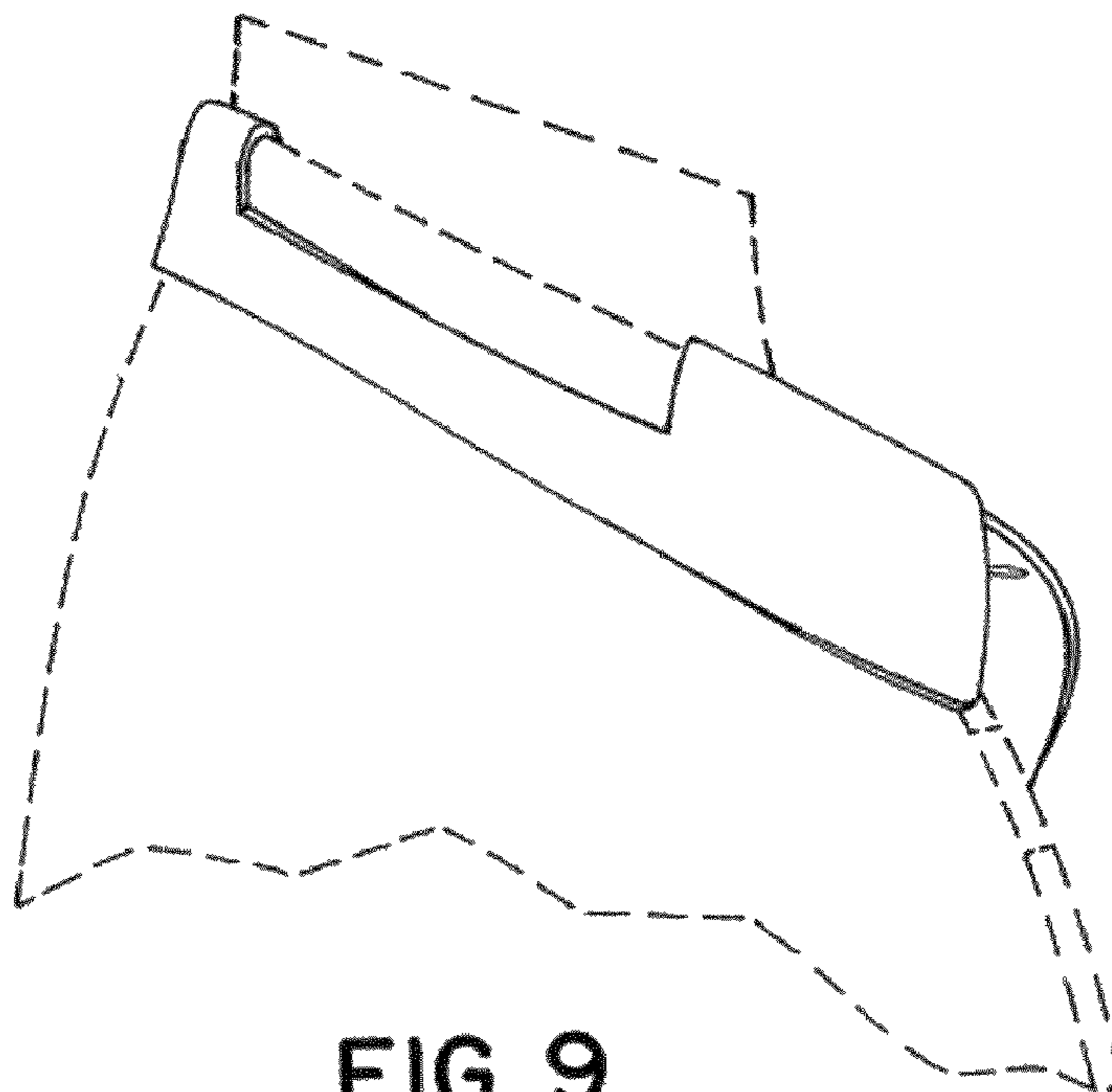


FIG. 9

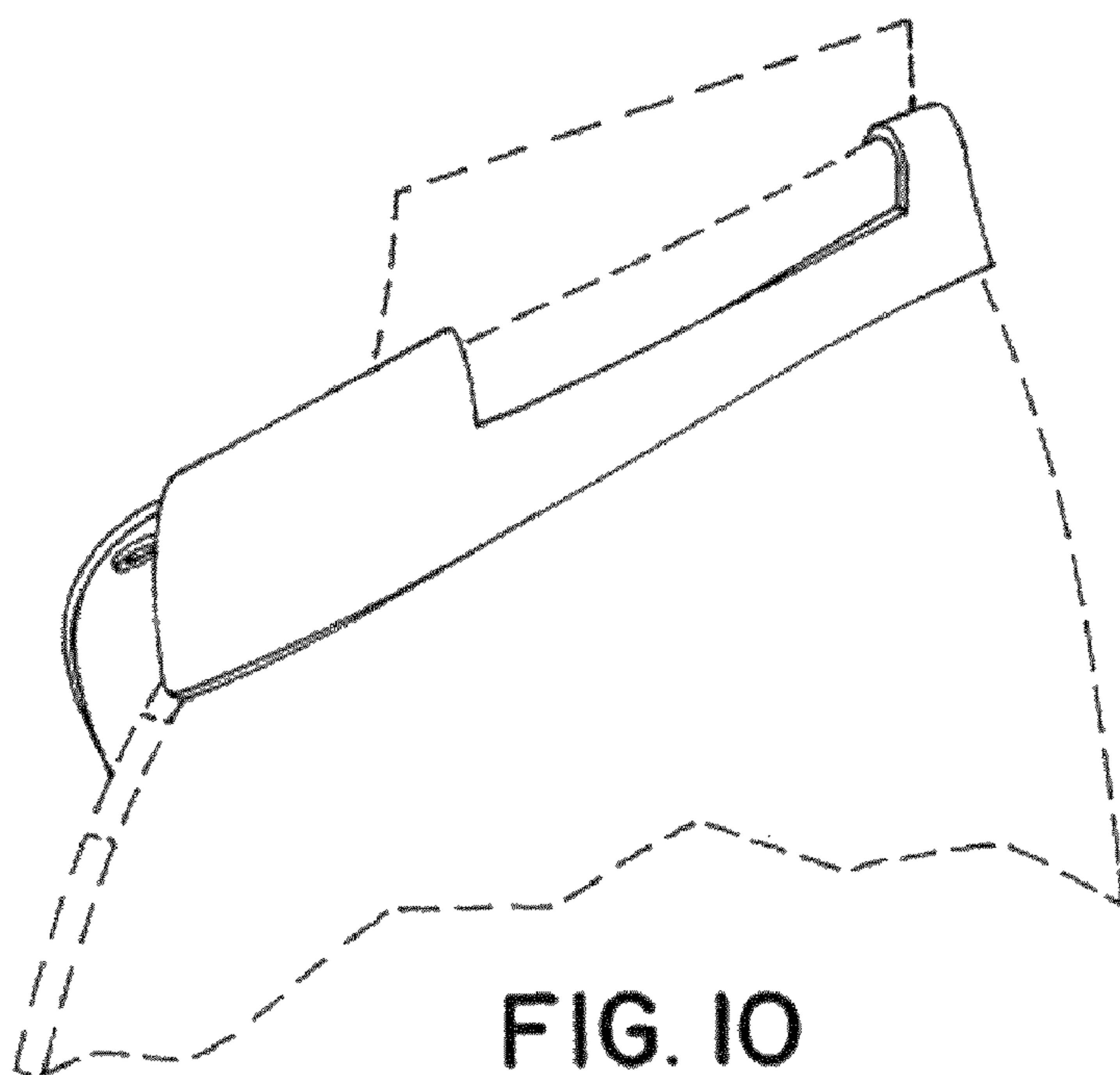


FIG. 10

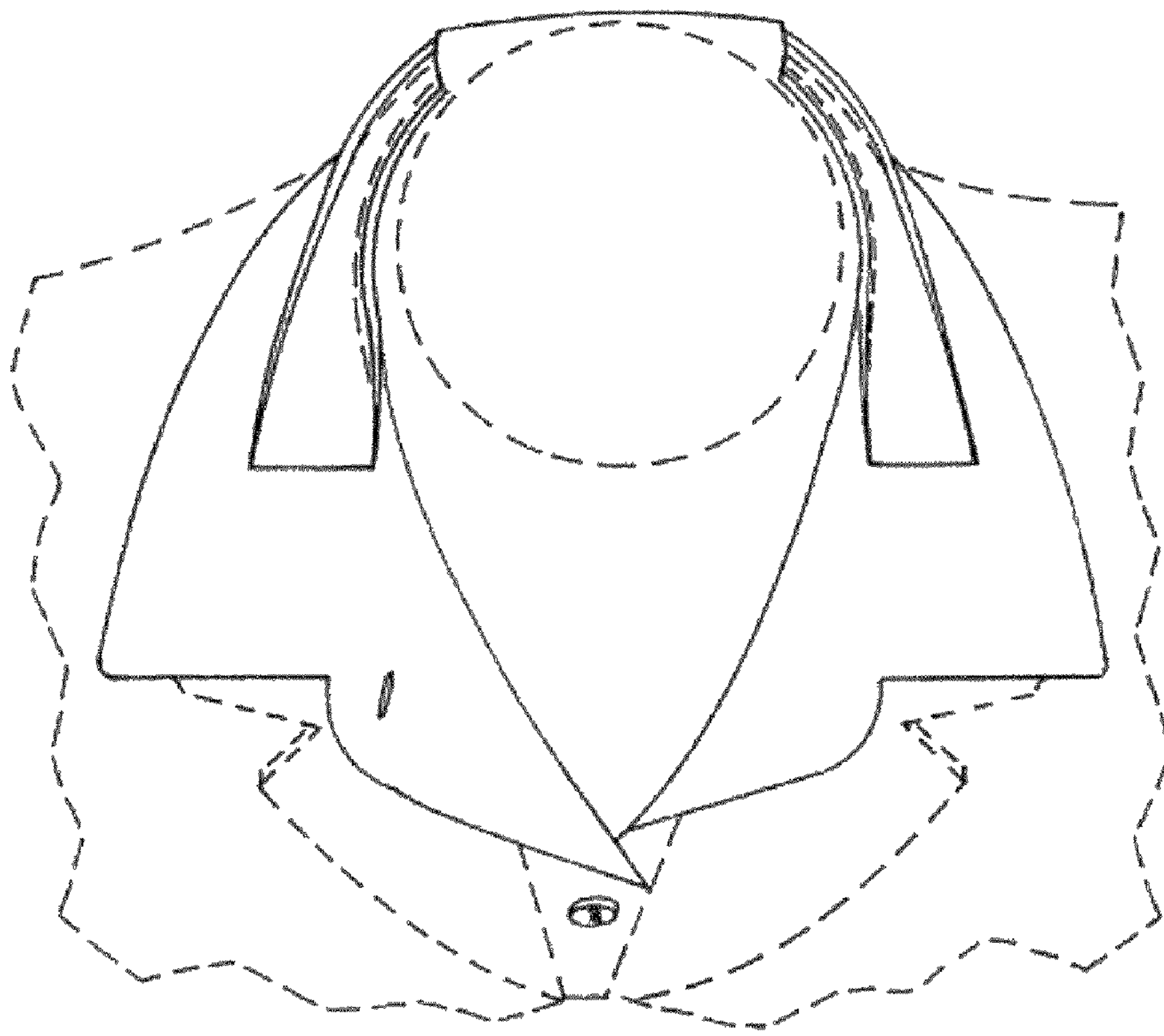


FIG. II

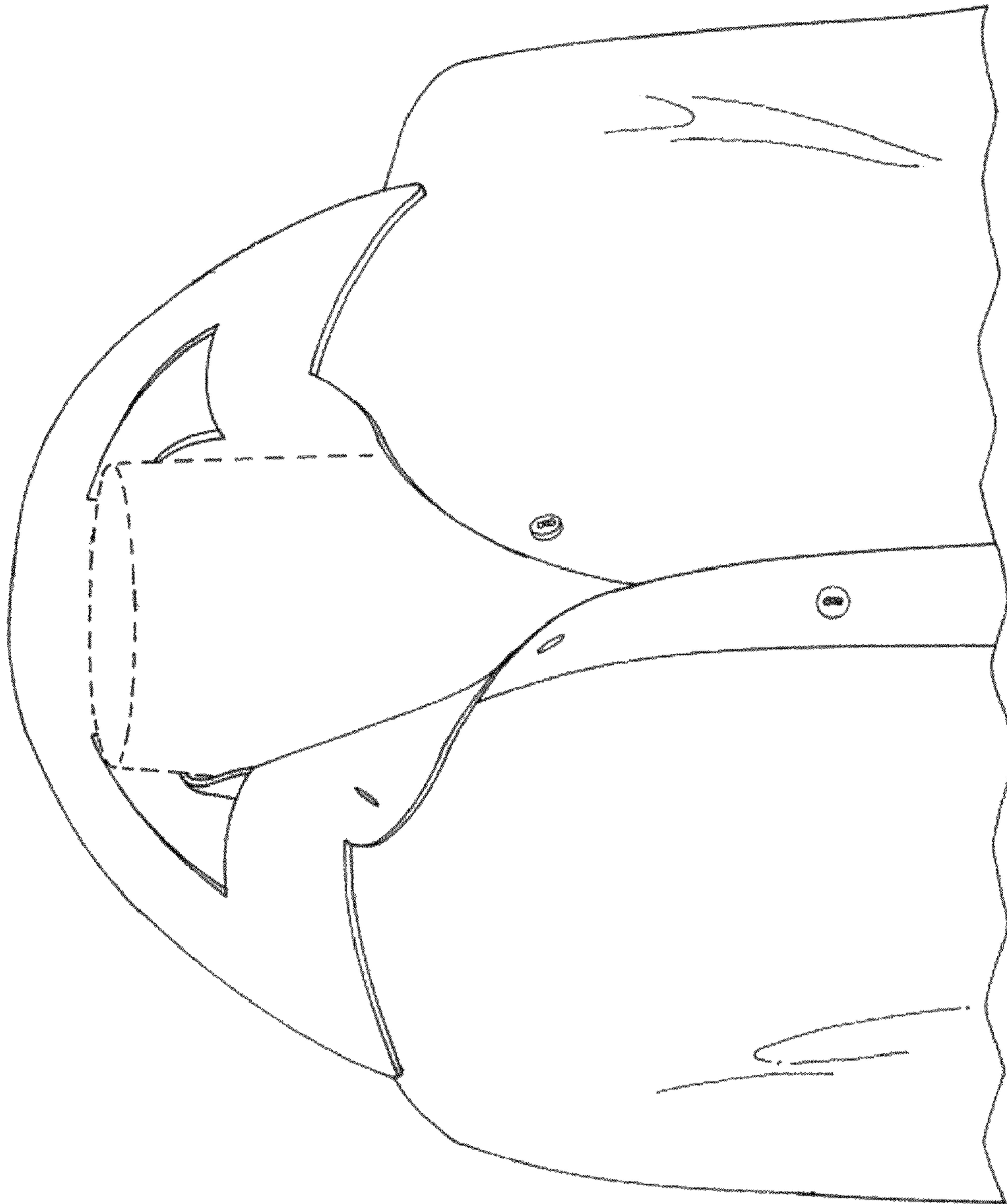


FIG. 12

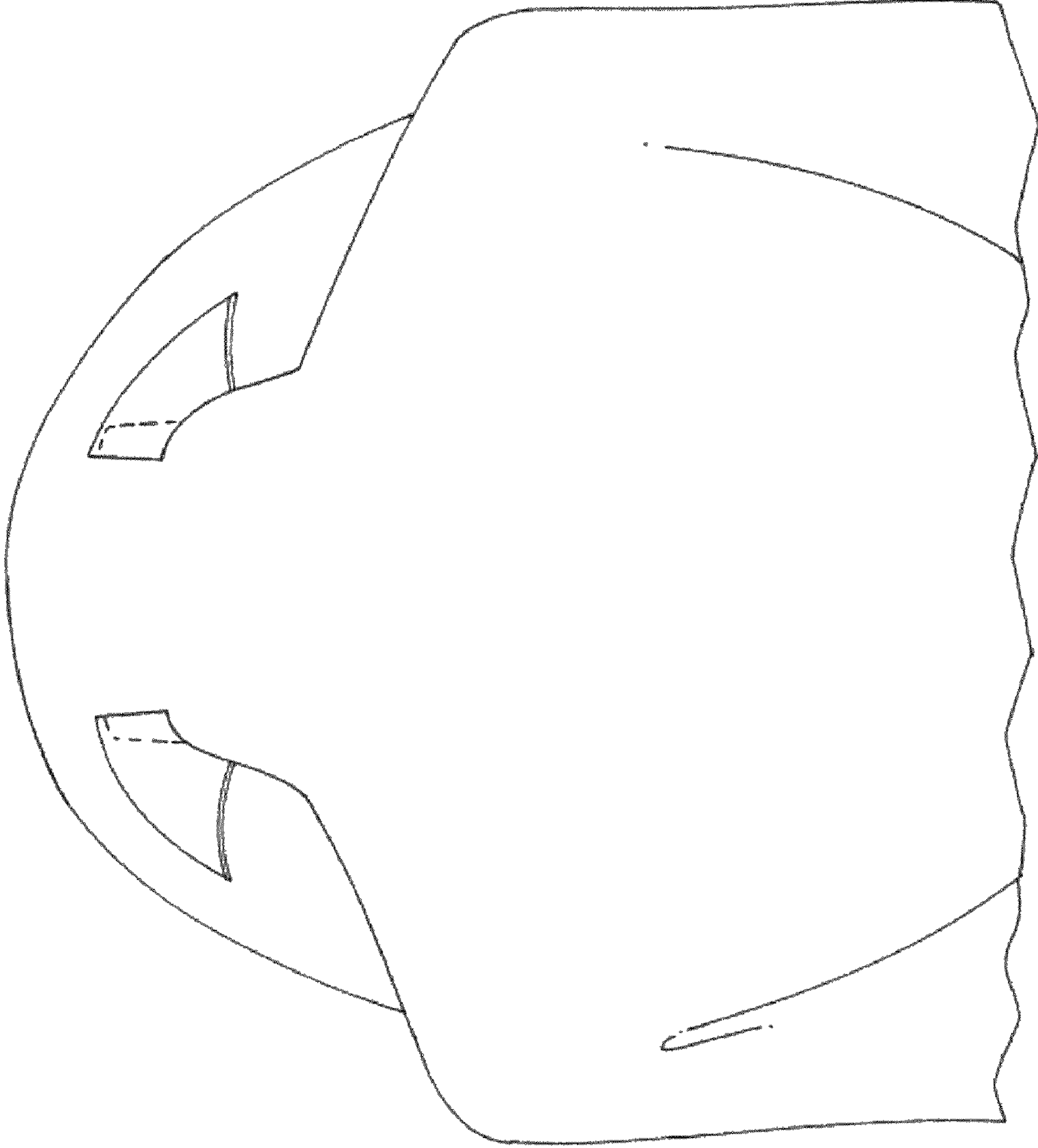


FIG. 13

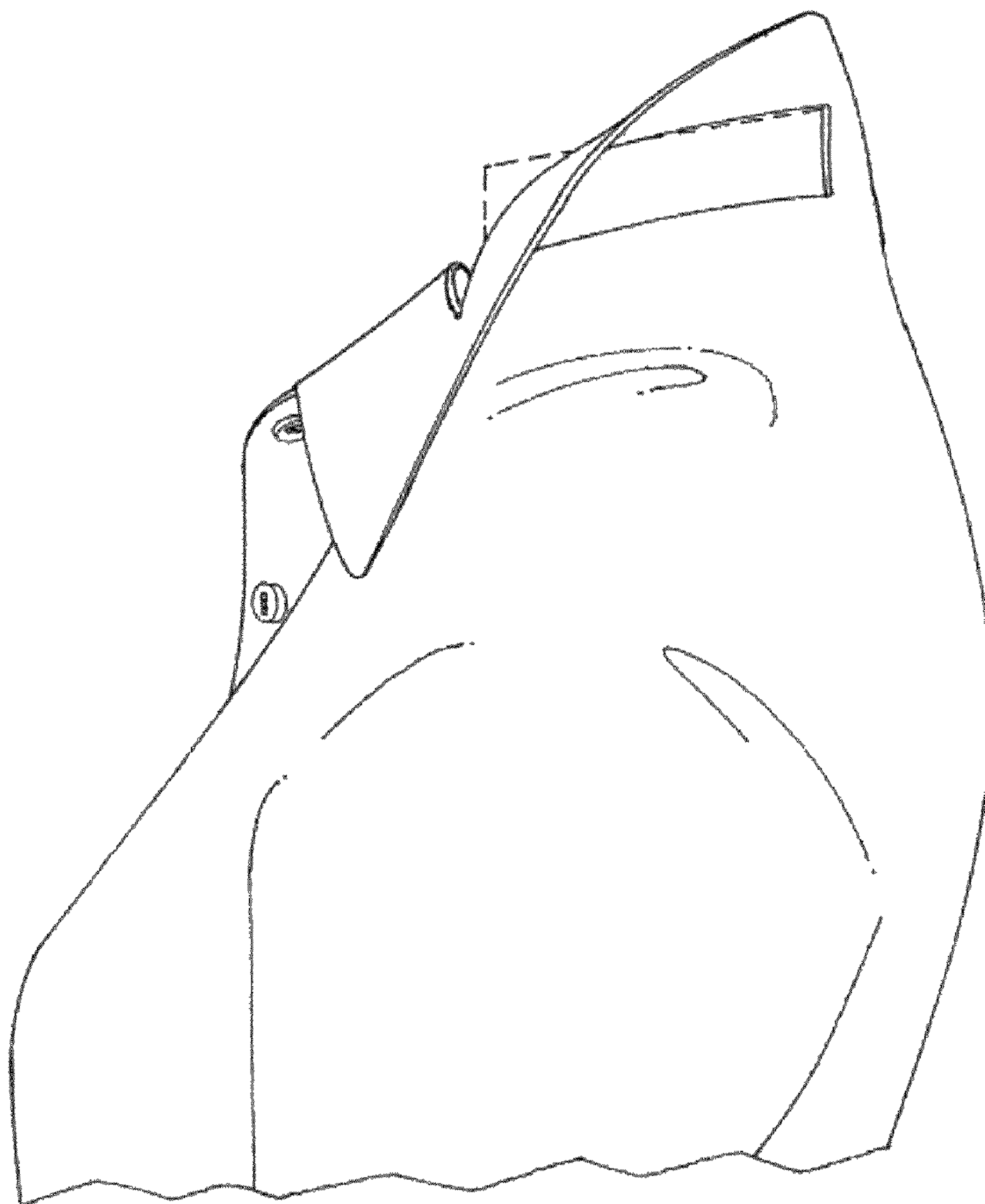


FIG. 14