



US00D658348S

(12) **United States Design Patent**
McCleary

(10) **Patent No.:** **US D658,348 S**

(45) **Date of Patent:** **** May 1, 2012**

(54) **PET TREAT**

(75) **Inventor:** **Patrick McCleary**, Wharton, NJ (US)

(73) **Assignee:** **The Hartz Mountain Corporation**,
Secaucus, NJ (US)

(**) **Term:** **14 Years**

(21) **Appl. No.:** **29/396,049**

(22) **Filed:** **Jun. 24, 2011**

(51) **LOC (9) Cl.** **01-01**

(52) **U.S. Cl.** **D1/199**

(58) **Field of Classification Search** D1/100-199;
D30/160; D21/385-386; D24/101-104;
D28/8.1; D11/90; 426/3-6, 76, 87, 89, 94-95,
426/100-104, 122, 128, 136, 138-139, 144,
426/249, 274, 293, 302, 305-307, 383, 438-442,
426/464-474, 460, 450-451, 496-497, 502-504,
426/512, 515-518, 543, 557, 549-550, 556,
426/559, 514, 660, 623, 619, 805, 806, 808,
426/499, 572; 493/140, 152, 155, 157, 901,
493/902; 40/310; 2/60, 98, 116, 123-124,
2/127, 129, 136, 141.1, 155; 249/137, 117

See application file for complete search history.

(56) **References Cited**

U.S. PATENT DOCUMENTS

D214,255	S	*	5/1969	Swartz et al.	D1/199
4,260,635	A	*	4/1981	Fisher	426/3
D310,750	S	*	9/1990	Constance	D1/128
D375,610	S	*	11/1996	Loring	D1/112
D477,695	S	*	7/2003	Kirch	D30/160
D479,369	S	*	9/2003	Kirch	D30/160
D495,467	S	*	9/2004	Tepper et al.	D1/199
7,194,981	B2	*	3/2007	Kirch et al.	119/710
D594,182	S	*	6/2009	Hague	D1/199
D631,636	S	*	2/2011	Hague	D1/106
2008/0118606	A1	*	5/2008	Stern	426/92

* cited by examiner

Primary Examiner — Barbara Fox

(74) *Attorney, Agent, or Firm* — Gottlieb, Rackman & Reisman, P.C.

(57) **CLAIM**

The ornamental design for a pet treat, as shown and described.

DESCRIPTION

FIG. 1 is a top, front and right side perspective view showing my new design;
FIG. 2 is a top plan view thereof;
FIG. 3 is a front elevational view thereof;
FIG. 4 is a left side elevational view thereof;
FIG. 5 is a right side elevational view thereof;
FIG. 6 is a rear elevational view thereof; and,
FIG. 7 is a bottom plan view thereof.

1 Claim, 3 Drawing Sheets

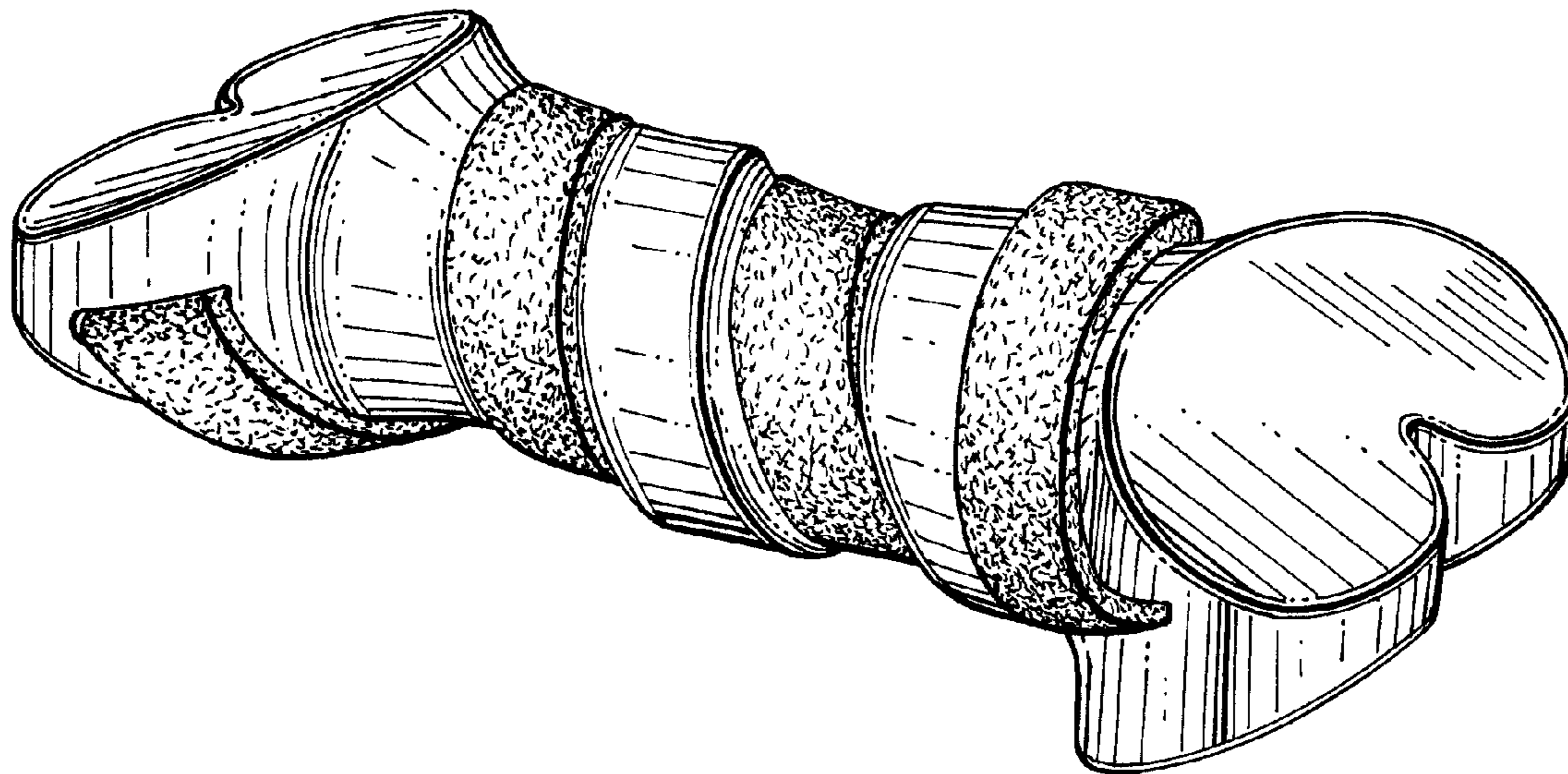


FIG. 1

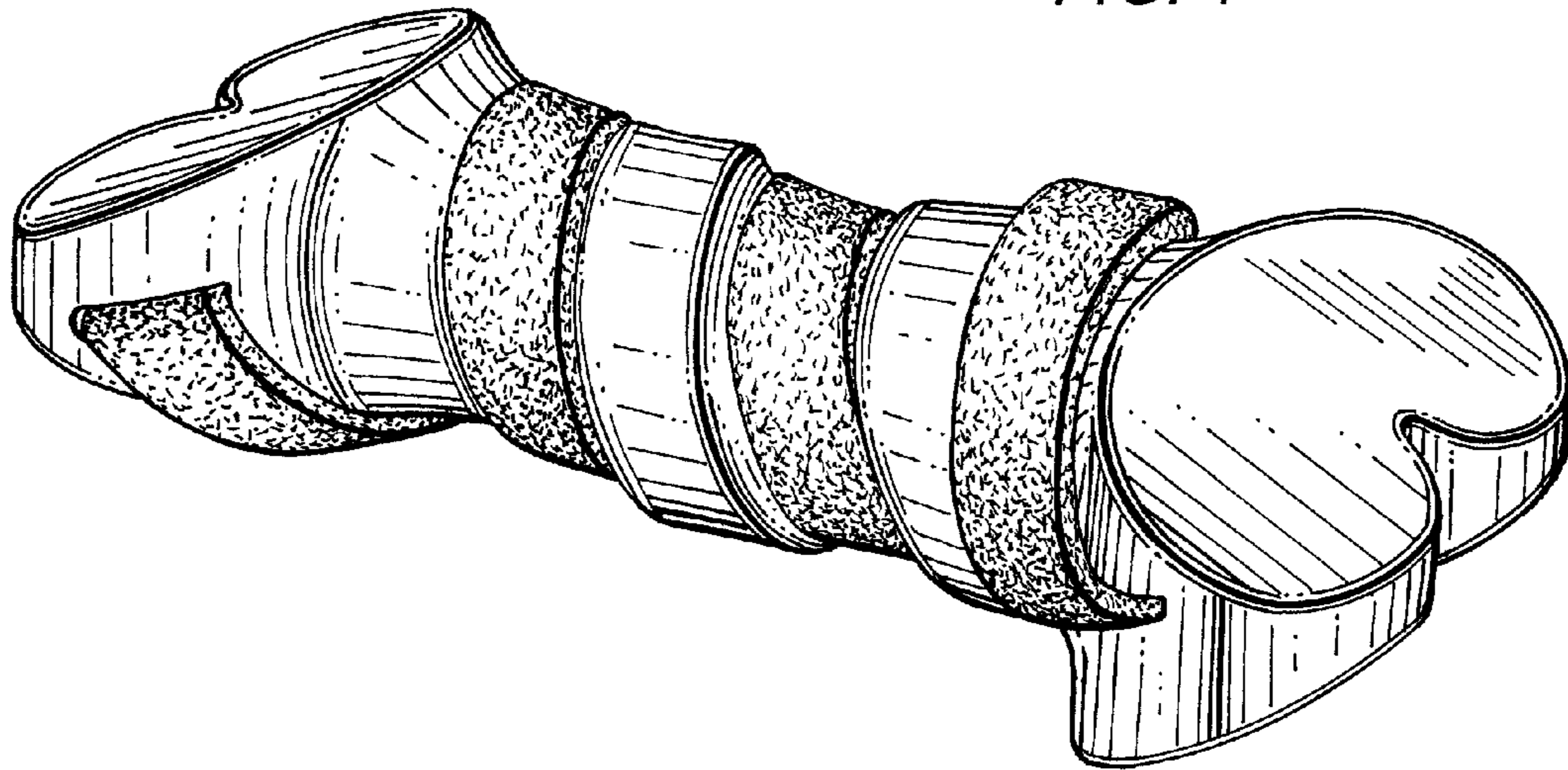


FIG. 4

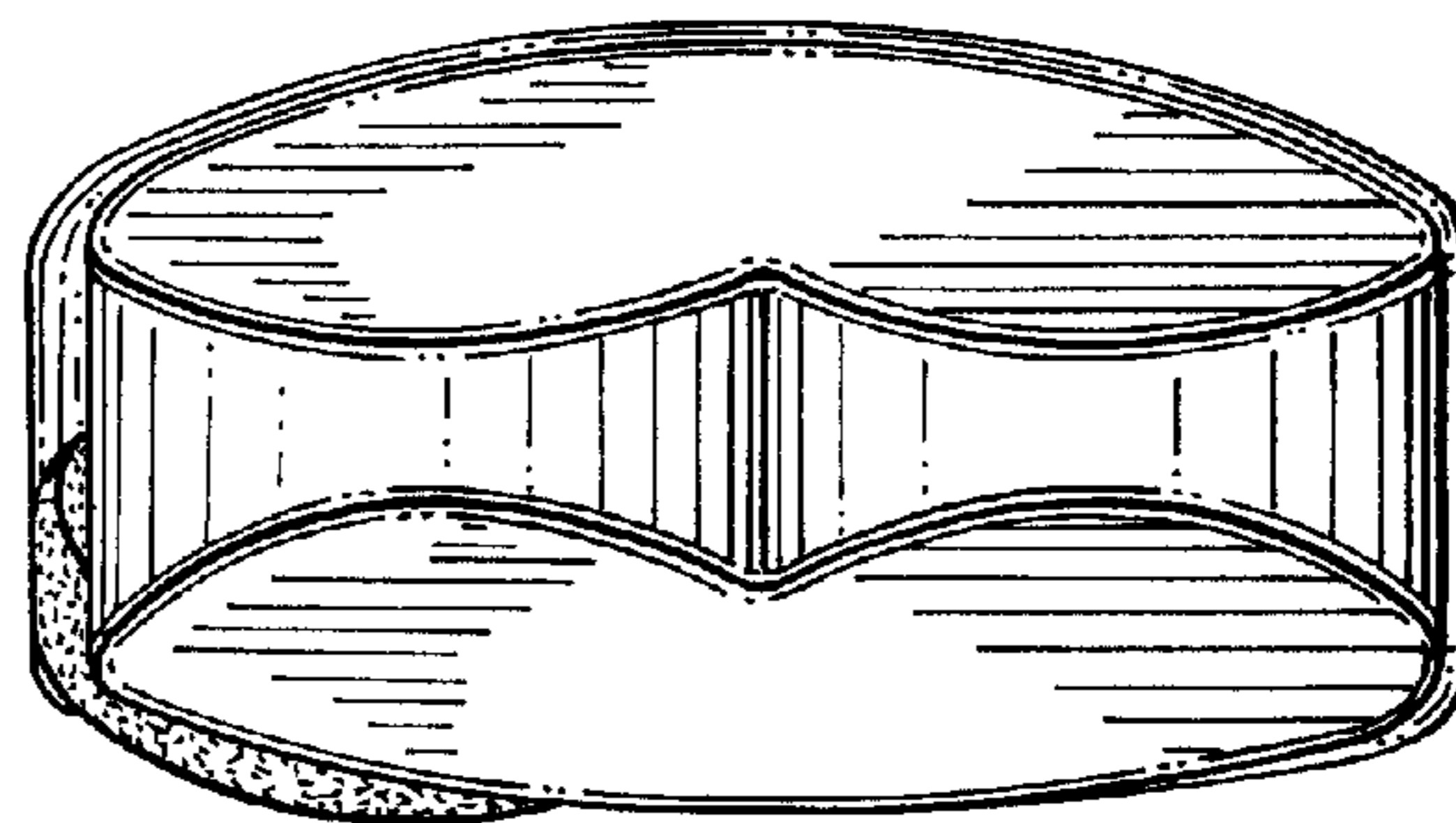
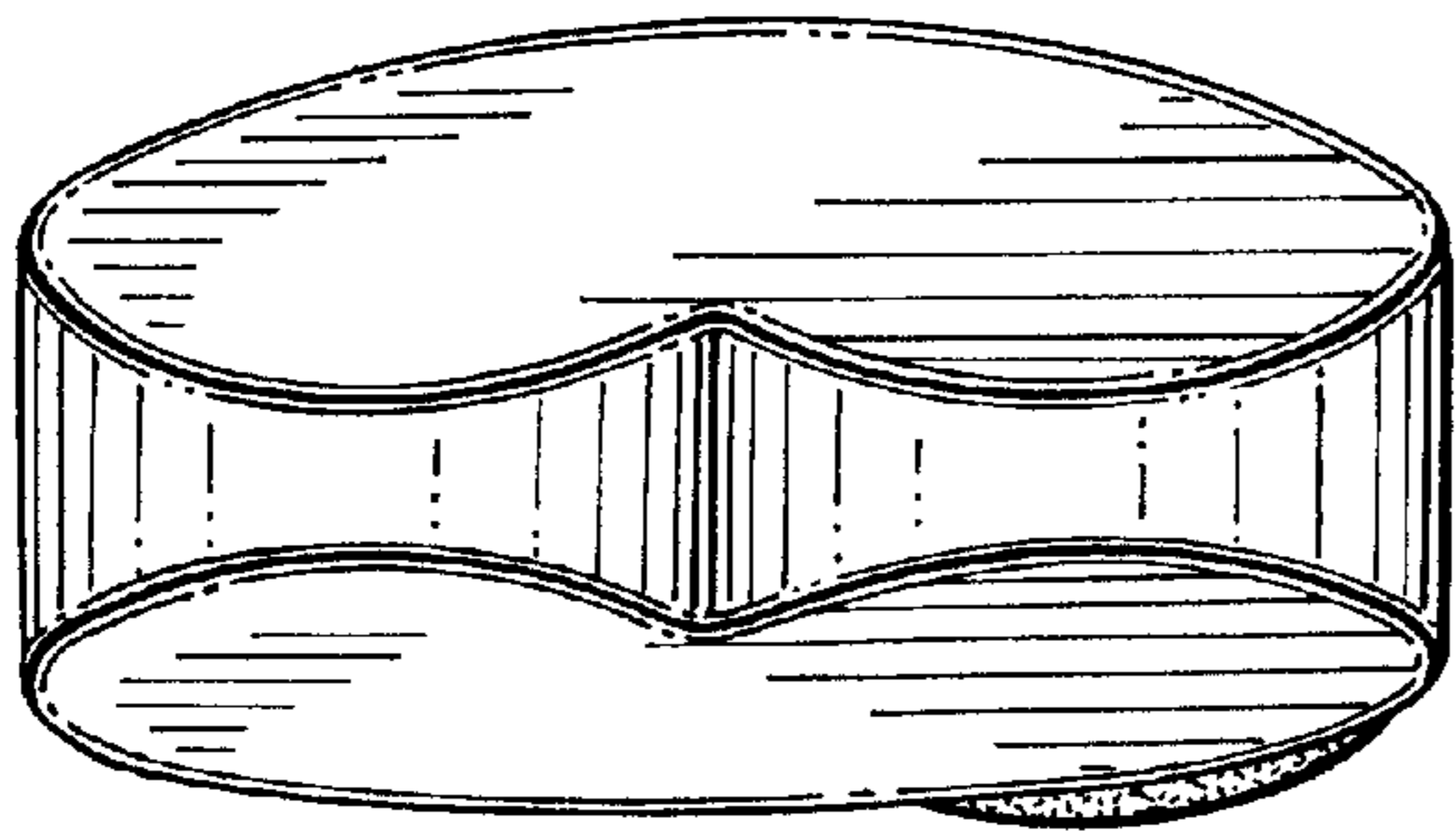


FIG. 5

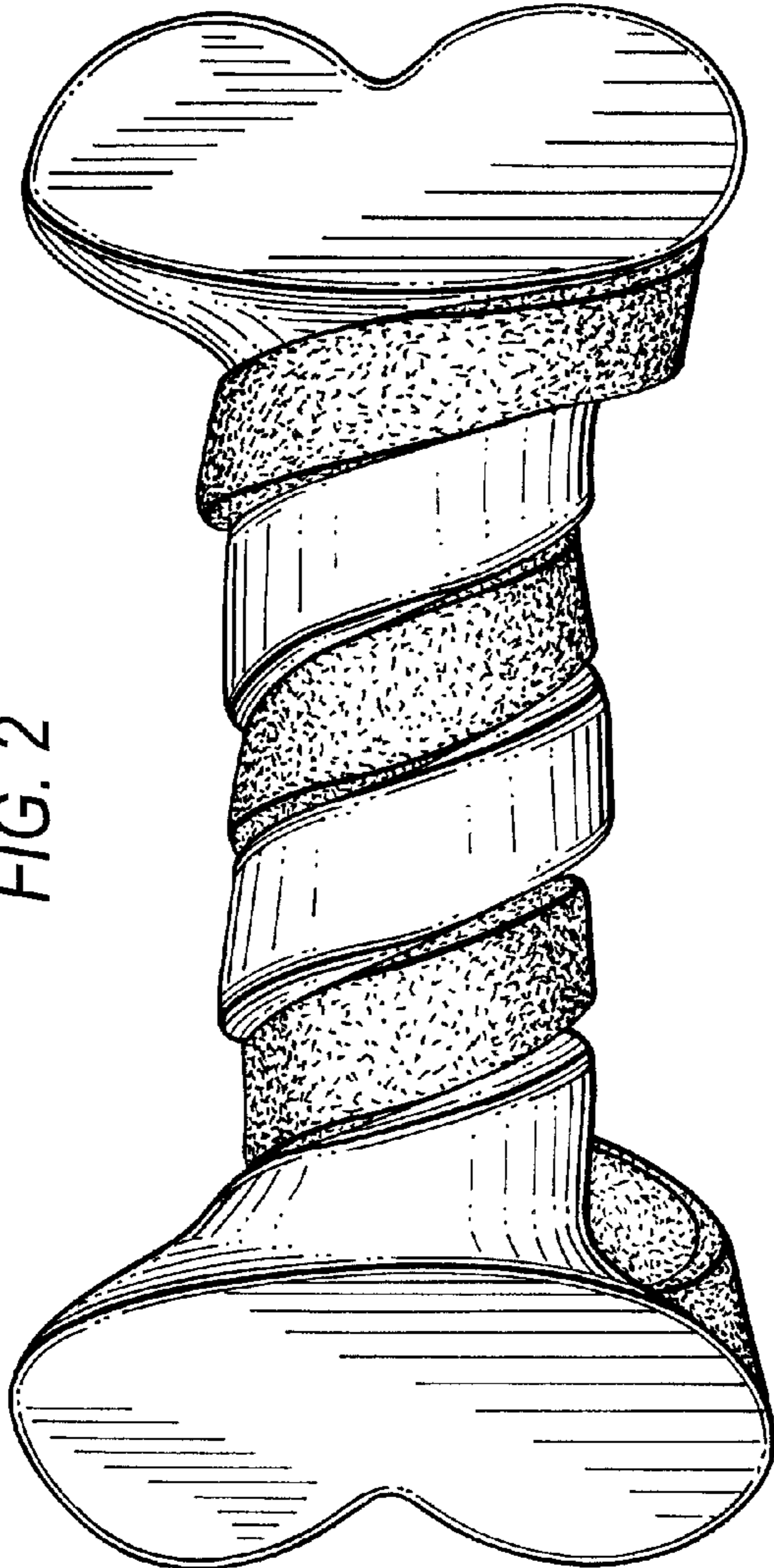


FIG. 2

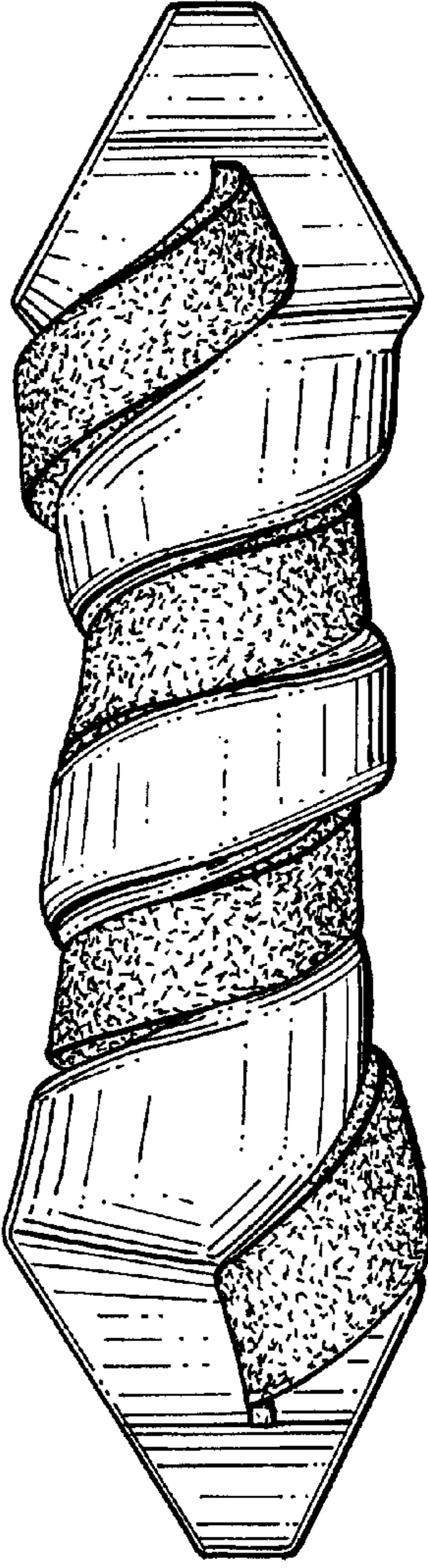


FIG. 3

FIG. 6

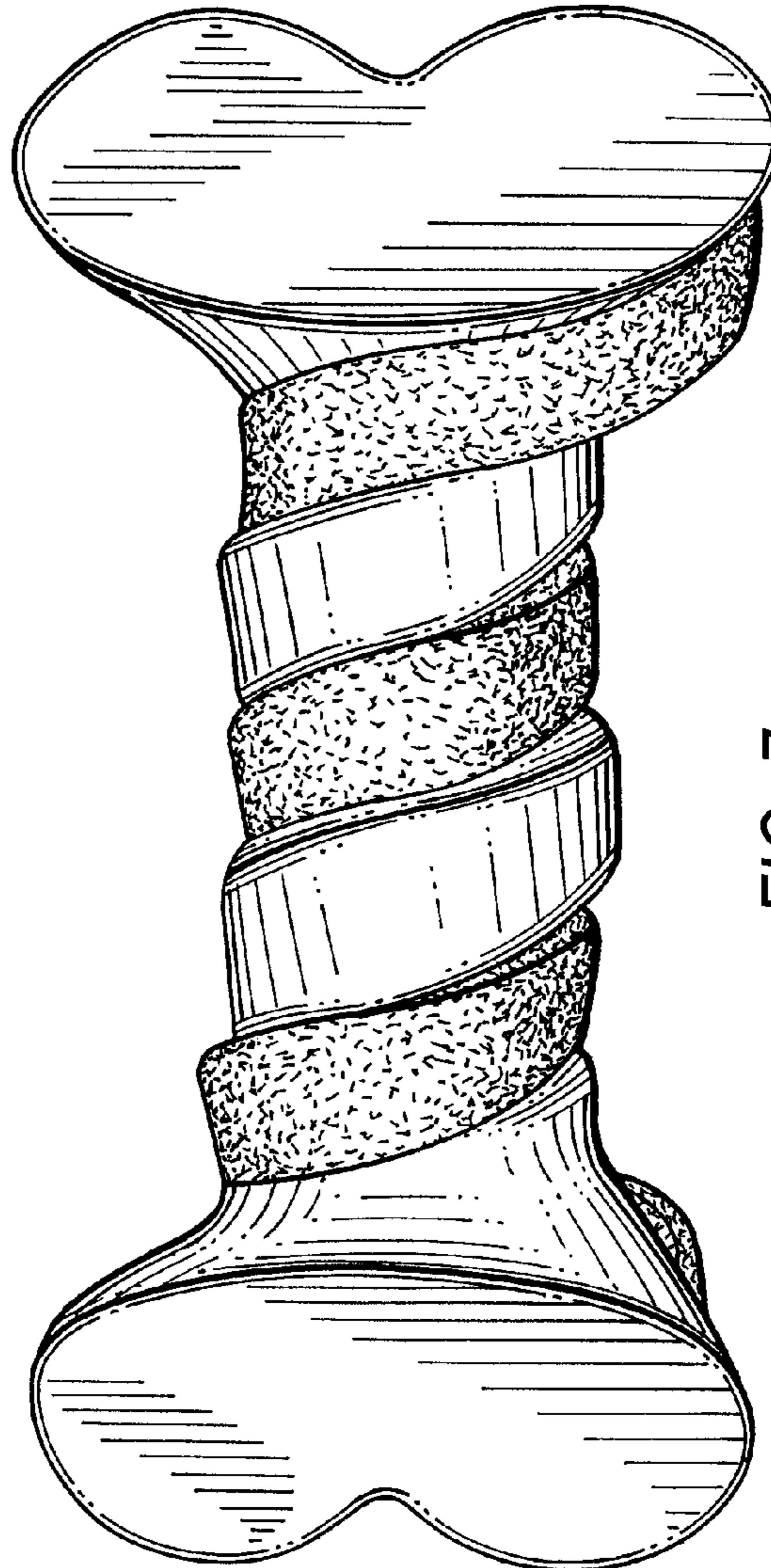
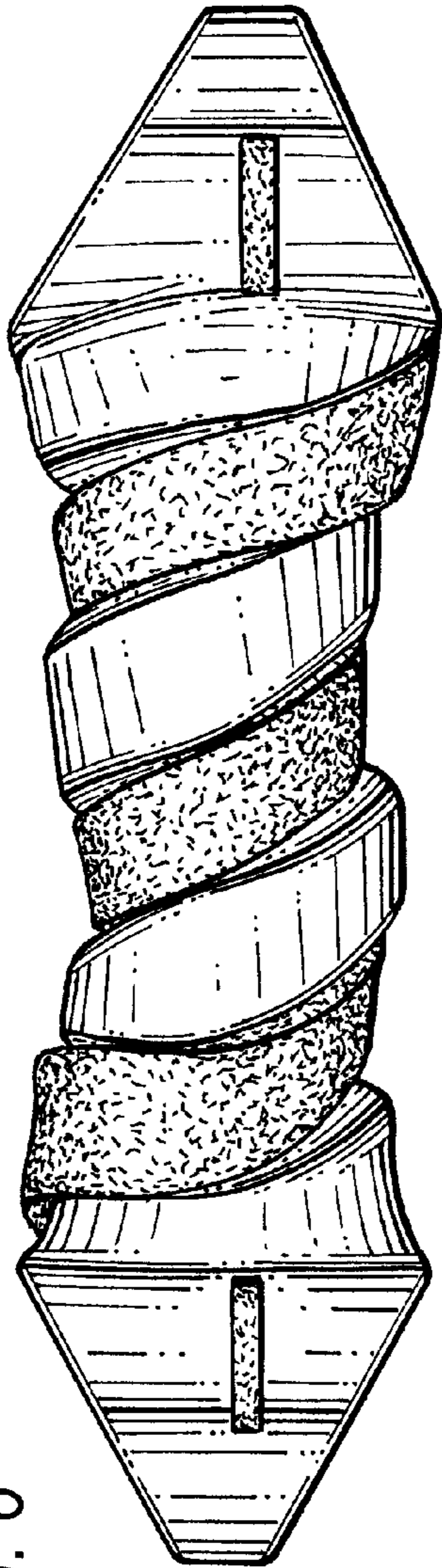


FIG. 7