



US00D658347S

(12) **United States Design Patent**
Gottardi B. Maia

(10) **Patent No.:** **US D658,347 S**
(45) **Date of Patent:** **** May 1, 2012**

(54) **PET TREAT**

(76) Inventor: **Alexandre Gottardi B. Maia**, Jundiai (BR)

(**) Term: **14 Years**

(21) Appl. No.: **29/382,820**

(22) Filed: **Jan. 7, 2011**

(51) **LOC (9) Cl.** **01-01**

(52) **U.S. Cl.** **D1/199; D1/121**

(58) **Field of Classification Search** D1/100-199;
D25/138; 426/517, 115, 121, 129, 130, 144,
426/273, 274, 303, 414, 518, 104, 803; 428/20;
D21/386; D24/101, 104; D28/8.1

See application file for complete search history.

(56) **References Cited**

U.S. PATENT DOCUMENTS

D90,592	S	*	8/1933	Peterson	D1/121
D90,688	S	*	9/1933	Sherrill	D1/121
D98,858	S	*	3/1936	Gager	D1/121
2,217,392	A	*	10/1940	Warfield, Jr.	426/414
D127,285	S	*	5/1941	Siemund	D1/121
D170,362	S	*	9/1953	Opler	D1/121
2,705,203	A	*	3/1955	Heidrich et al.	426/108
4,382,970	A	*	5/1983	Sorensen	426/275
D497,466	S	*	10/2004	Van De Wal et al.	D1/127
D545,026	S	*	6/2007	Martin et al.	D1/127
D556,427	S	*	12/2007	Kaiser et al.	D1/127
D594,181	S	*	6/2009	Wilson et al.	D1/127
D619,776	S	*	7/2010	Wilson et al.	D1/121
2007/0269417	A1	*	11/2007	McNeight	424/93.51

FOREIGN PATENT DOCUMENTS

CN DM/069501 * 10/2007
CN DM/069893 * 2/2008

OTHER PUBLICATIONS

<http://createdontmake.blogspot.com>; published Oct. 13, 2010; chocolate bar; captured Dec. 16, 2011.*
<http://www.pamperedpawgifts.com>; Good Dog Candy Bar; captured Dec. 16, 2011.*

* cited by examiner

Primary Examiner — Barbara Fox

(74) *Attorney, Agent, or Firm* — Lott & Fischer, PL

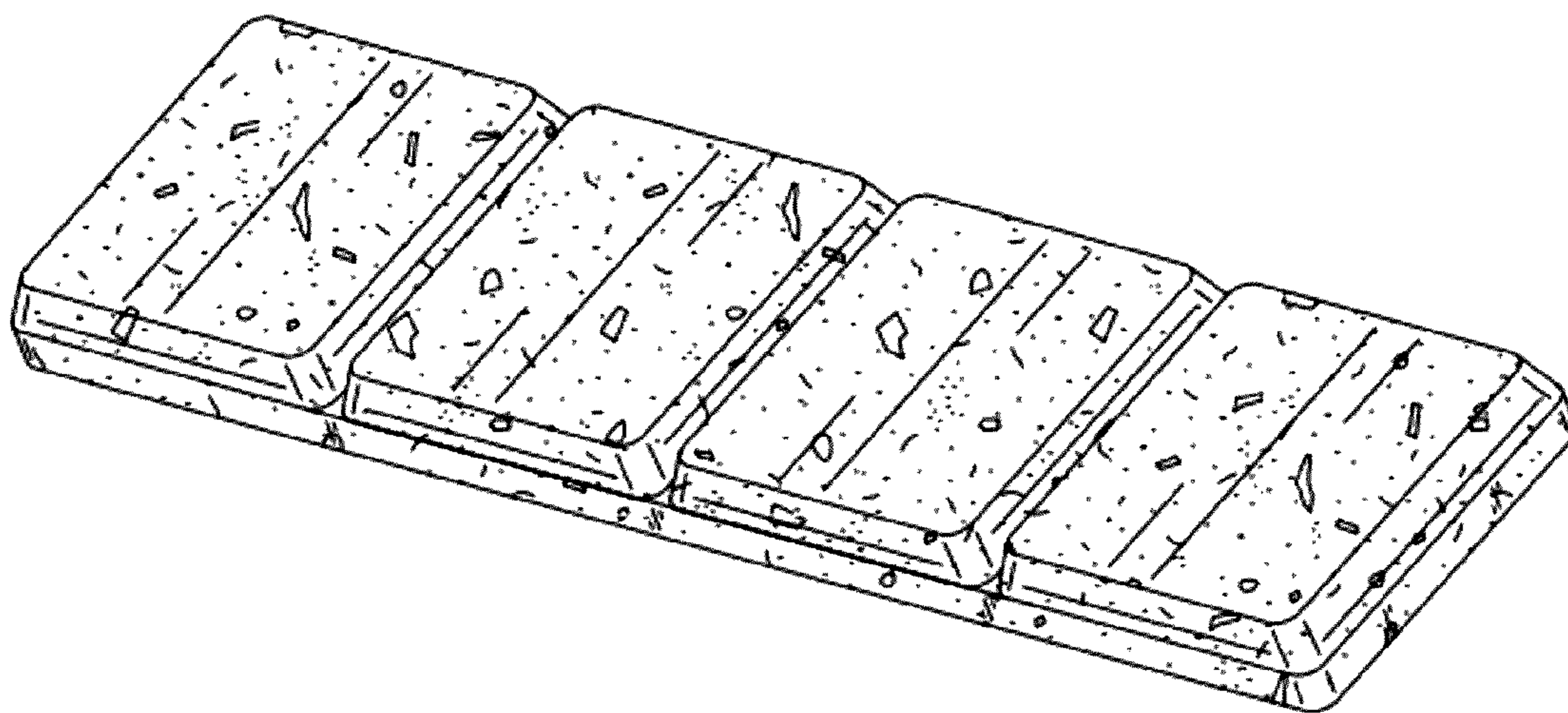
(57) **CLAIM**

The ornamental design for a pet treat, substantially as shown and described.

DESCRIPTION

FIG. 1 is a front perspective view of a pet treat showing the new design.
FIG. 2 is a left side elevational view of the design of FIG. 1;
FIG. 3 is a right side elevational view of the design of FIG. 1;
FIG. 4 is a front elevational view of the design of FIG. 1;
FIG. 5 is a rear elevational view of the design of FIG. 1;
FIG. 6 is a top view of the design of FIG. 1; and,
FIG. 7 is a bottom view of the design of FIG. 1.

1 Claim, 4 Drawing Sheets



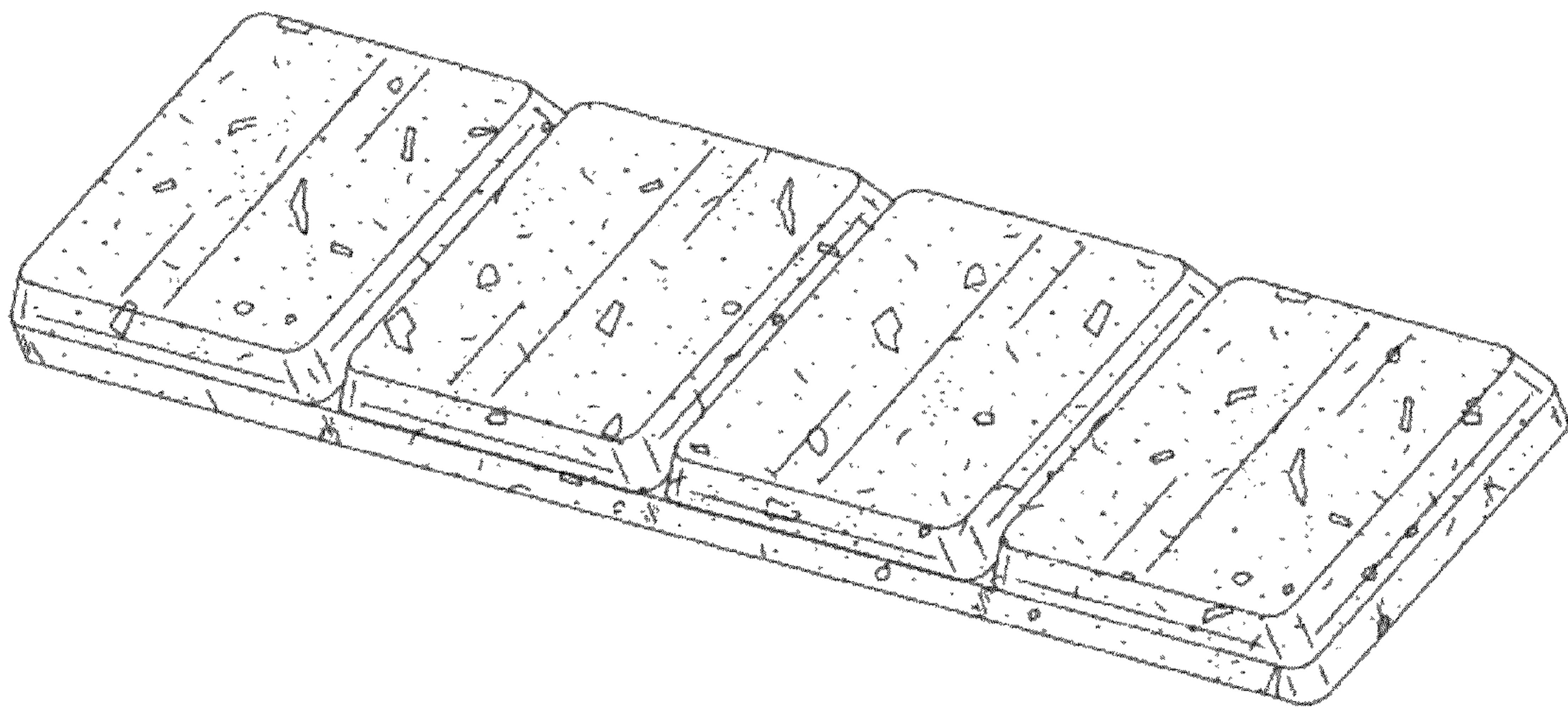


FIG. 1



FIG. 2



FIG. 3

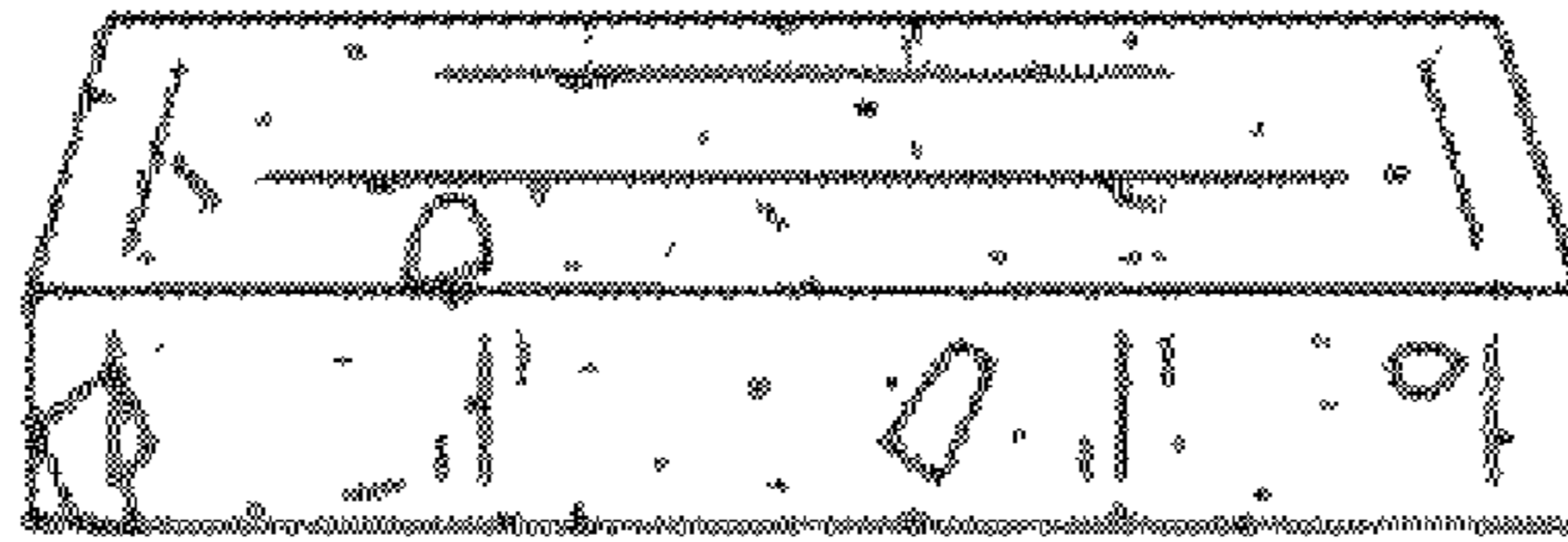


FIG. 4



FIG. 5

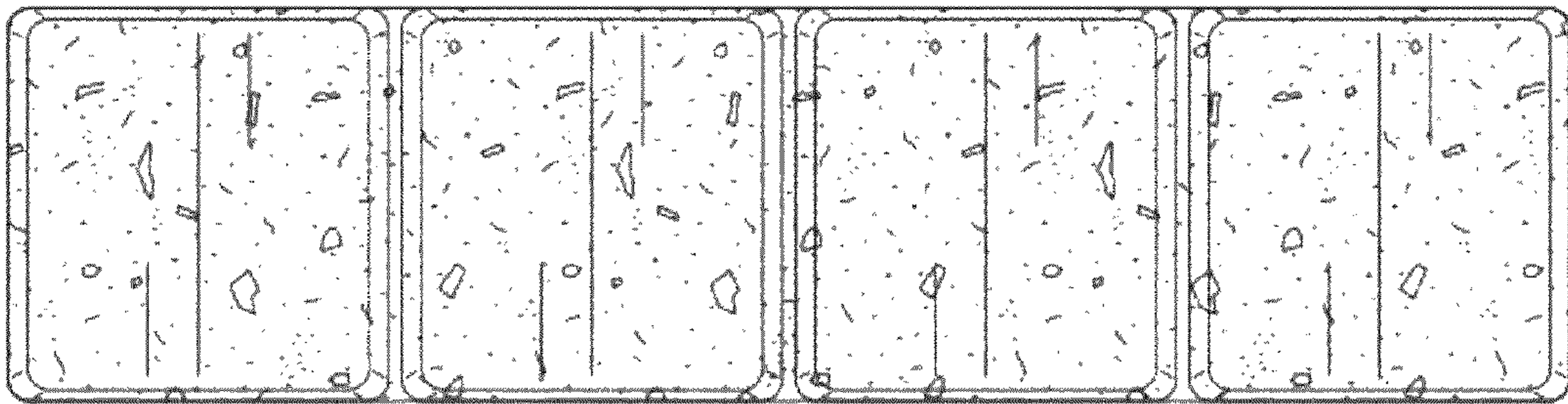


FIG. 6

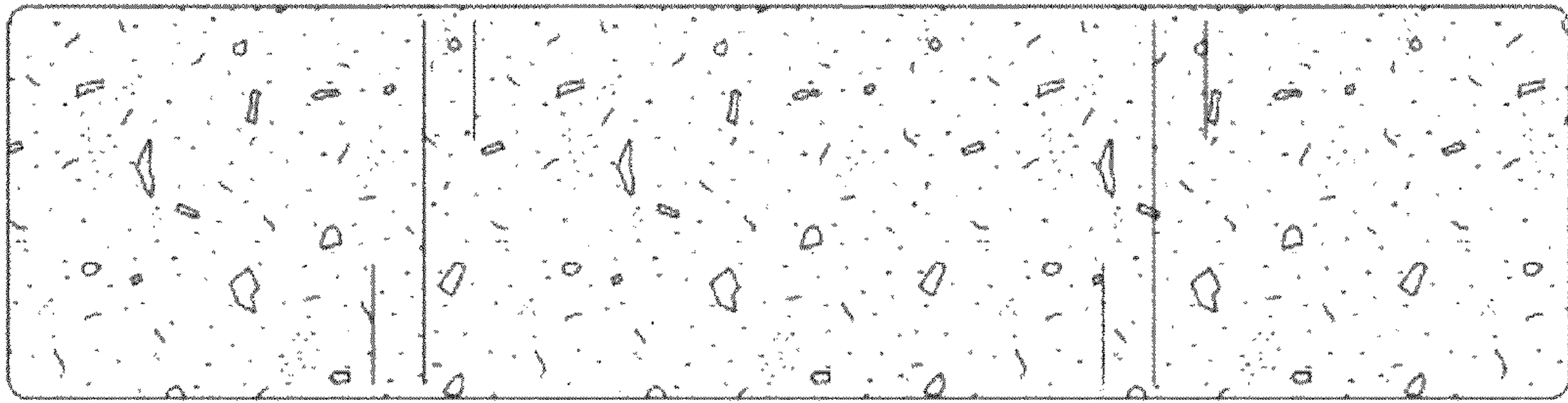


FIG. 7