



US00D658344S

(12) **United States Design Patent**  
**Babic et al.**

(10) **Patent No.:** **US D658,344 S**  
(45) **Date of Patent:** **\*\* Apr. 24, 2012**

(54) **MOP HEAD**

D552,315 S \* 10/2007 Harper et al. .... D32/40  
D554,815 S \* 11/2007 Harper et al. .... D32/40  
D564,164 S \* 3/2008 Harper et al. .... D32/51

(75) Inventors: **Ivana Babic**, Milan (IT); **Shaelyn D. Crutchley**, St. Paul, MN (US)

\* cited by examiner

(73) Assignee: **3M Innovative Properties Company**, St. Paul, MN (US)

*Primary Examiner* — John Windmuller

(74) *Attorney, Agent, or Firm* — Trisha D. Adamson

(\*\*) Term: **14 Years**

(57) **CLAIM**

The ornamental design for a mop head, as shown and described.

(21) Appl. No.: **29/384,223**

**DESCRIPTION**

(22) Filed: **Jan. 28, 2011**

(51) **LOC (9) Cl.** ..... **04-01**

(52) **U.S. Cl.** ..... **D32/50; D32/51**

(58) **Field of Classification Search** ..... D32/50,  
D32/51, 39-45; 15/116.1, 116.2, 119.2,  
15/147.1, 147.2, 150, 208, 209.1, 210.1,  
15/228; 401/137-140

FIG. 1 is a perspective view of a new design for a mop head; FIG. 2 is a right side view thereof, the left side view being a mirror image thereof; FIG. 3 is a front view thereof, the rear view being a mirror image thereof; FIG. 4 is a top view thereof; FIG. 5 is a bottom view thereof; and, FIG. 6 is a perspective view thereof of the mop head shown connected with a handle.

See application file for complete search history.

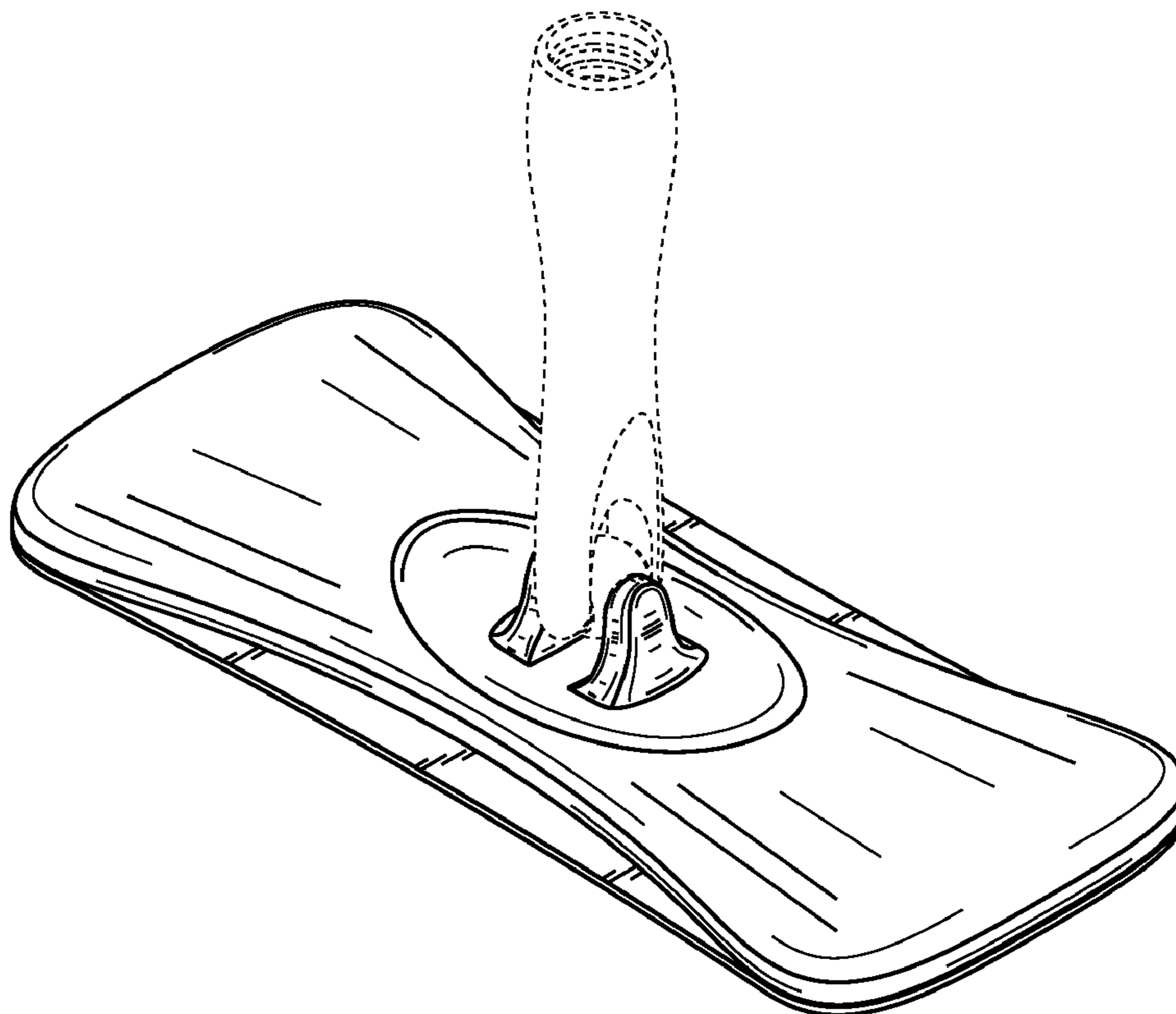
The broken lines in the drawings are shown for illustrative purposes only and form no part of the claimed design. In addition, the surface shading illustrated in the drawings is provided merely to highlight the contour of design; it is not intended to be illustrative of texture or gloss.

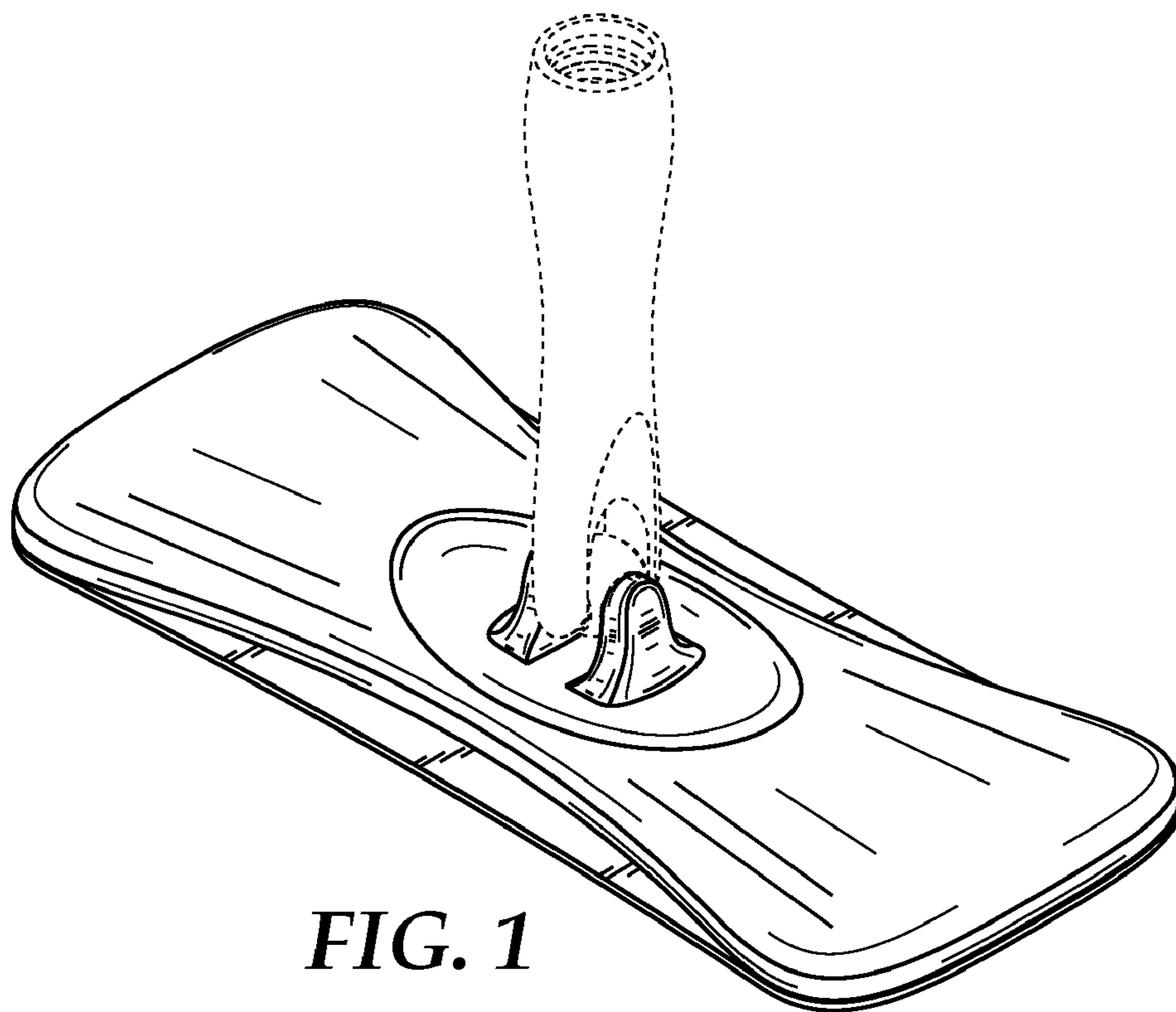
(56) **References Cited**

U.S. PATENT DOCUMENTS

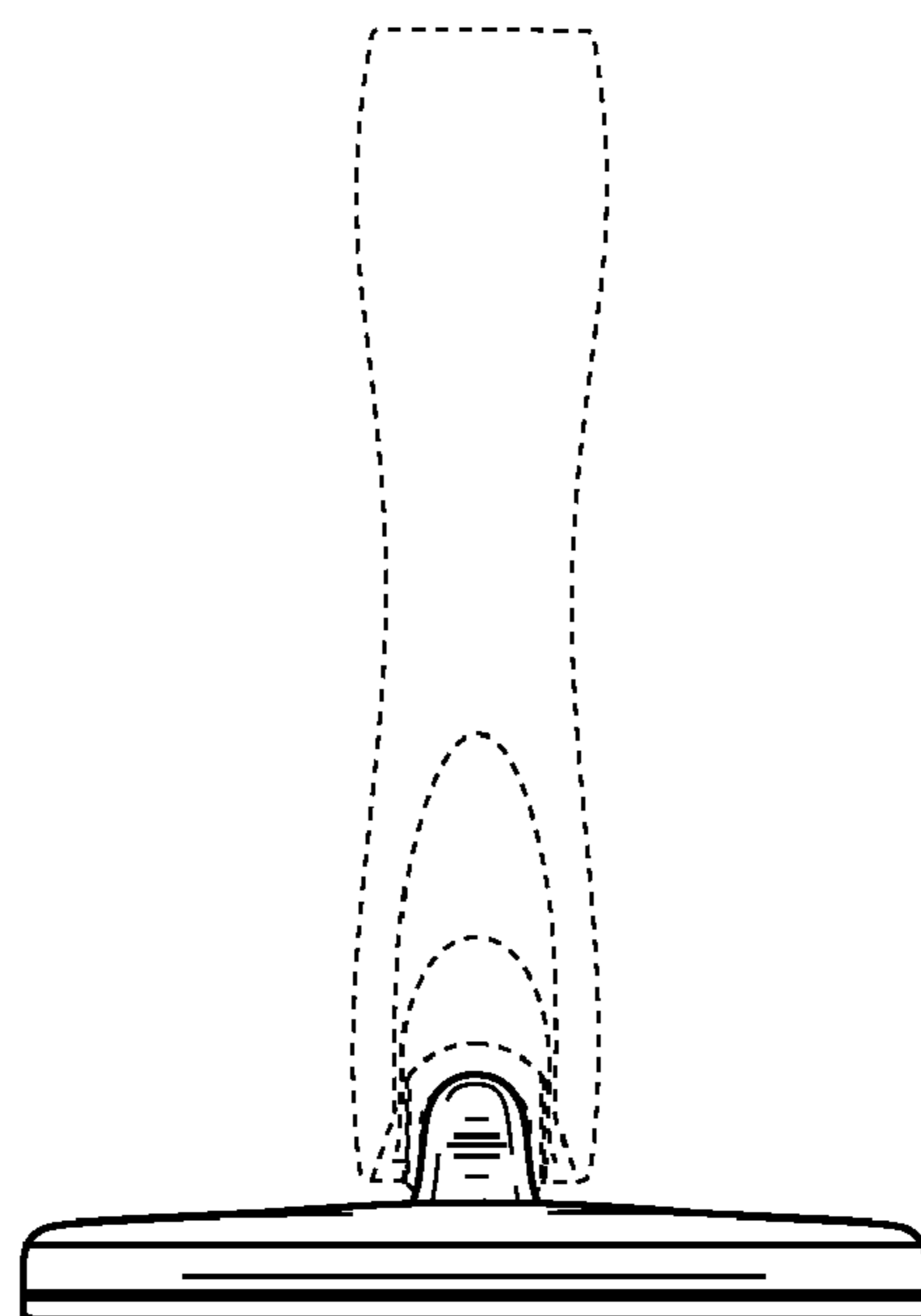
D481,184 S \* 10/2003 Clare et al. .... D32/50  
6,651,290 B2 \* 11/2003 Kingry et al. .... 15/231  
D503,836 S \* 4/2005 Hall et al. .... D32/50  
D506,050 S \* 6/2005 Lalanne et al. .... D32/45

**1 Claim, 3 Drawing Sheets**

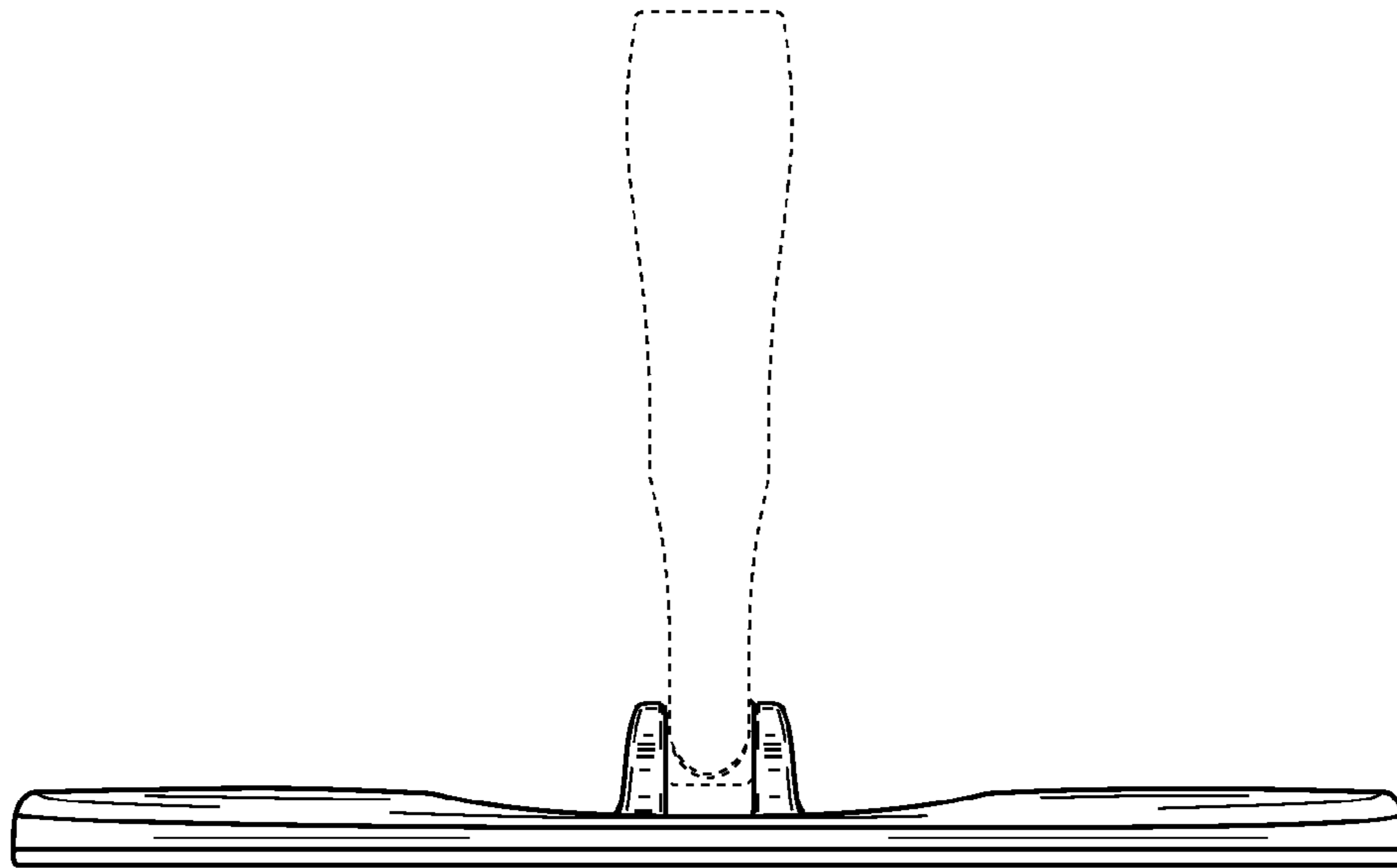




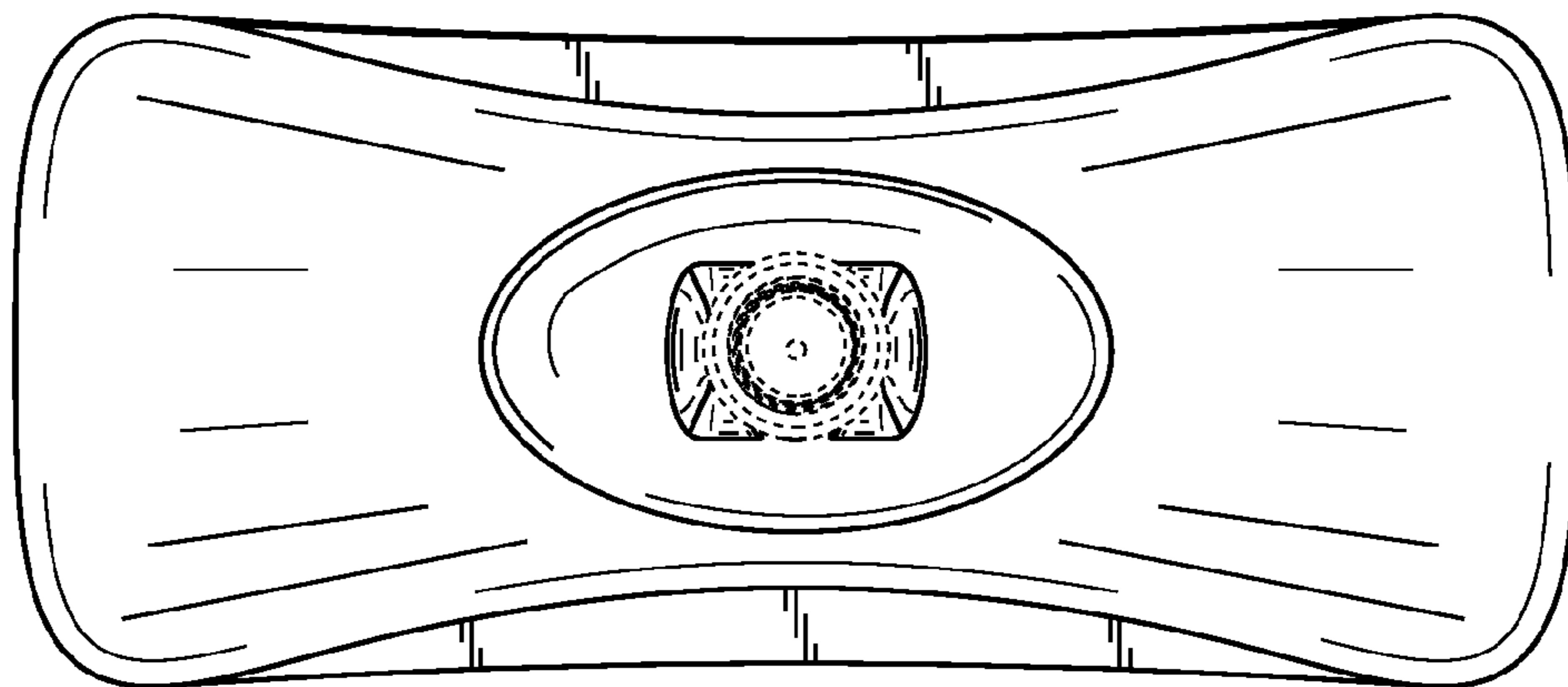
**FIG. 1**



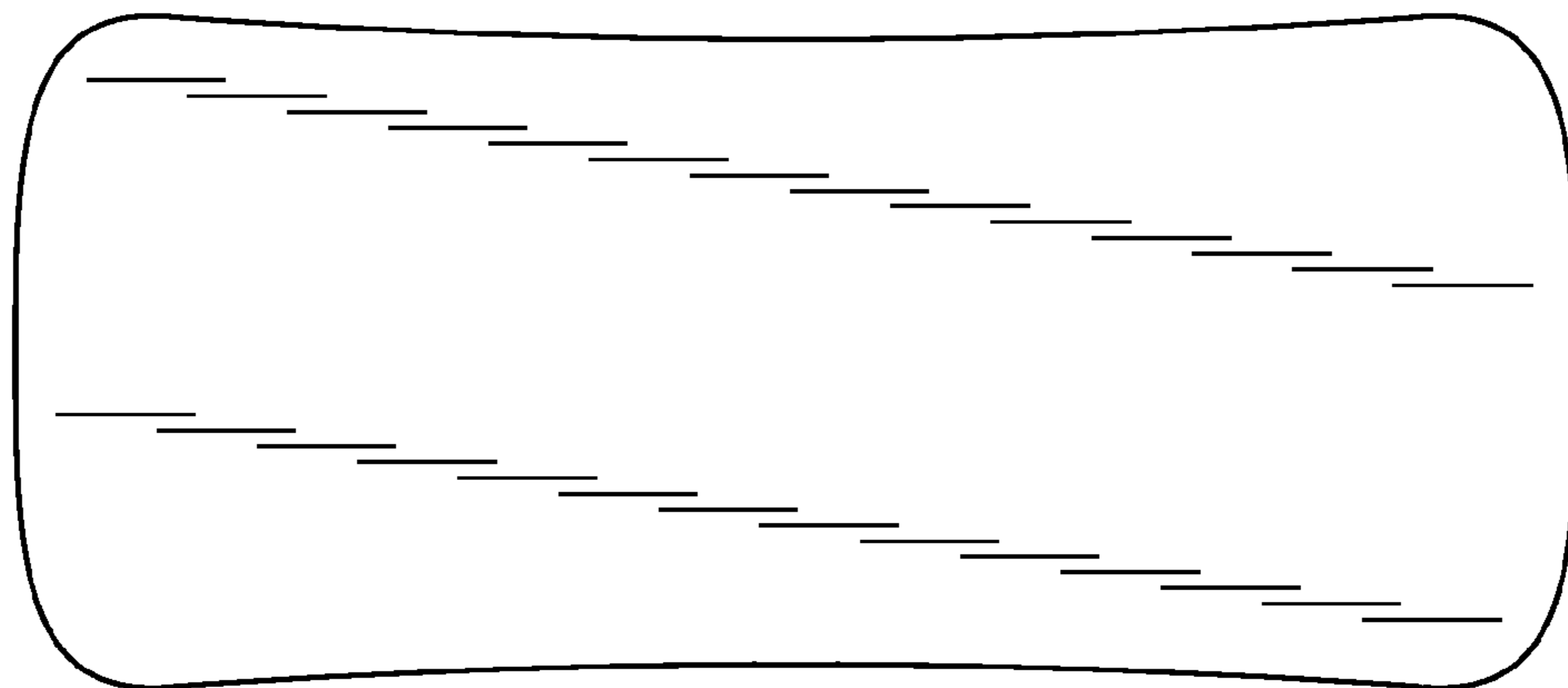
**FIG. 2**



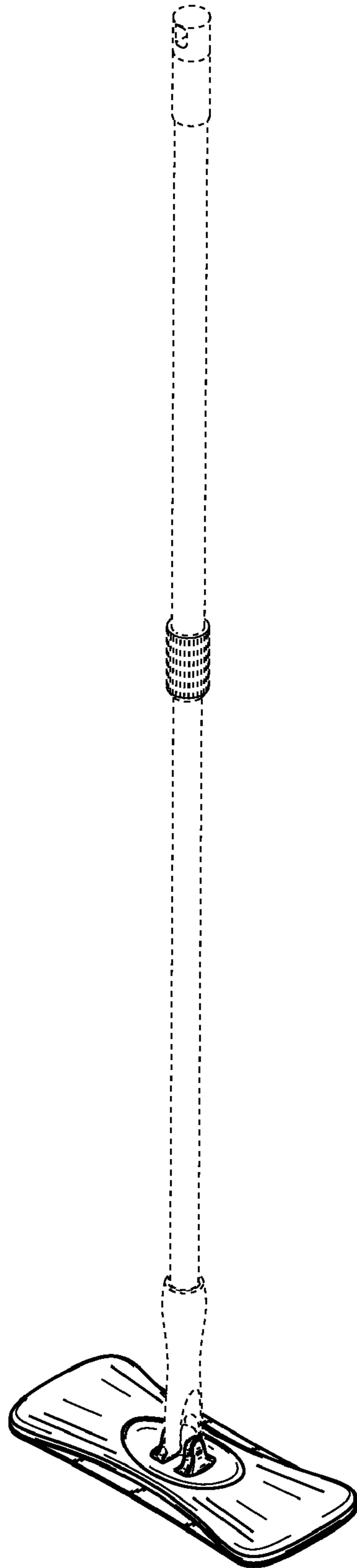
*FIG. 3*



*FIG. 4*



*FIG. 5*



*FIG. 6*