



US00D658343S

(12) **United States Design Patent**
Jeon et al.

(10) **Patent No.:** **US D658,343 S**

(45) **Date of Patent:** **** Apr. 24, 2012**

(54) **DETERGENT BOX FOR WASHING MACHINE**

(75) Inventors: **Hoil Jeon**, Gyeonggi-do (KR); **Nerry Son**, Seoul (KR); **Yeji Um**, Seoul (KR); **Junghwan Lee**, Seoul (KR)

(73) Assignee: **LG Electronics Inc.**, Seoul (KR)

(**) Term: **14 Years**

(21) Appl. No.: **29/387,463**

(22) Filed: **Mar. 14, 2011**

(30) **Foreign Application Priority Data**

Sep. 16, 2010 (KR) 30-2010-0041163

(51) **LOC (9) Cl.** **15-05**

(52) **U.S. Cl.** **D32/29.1**

(58) **Field of Classification Search** D32/1,
D32/5-6, 8, 10, 25, 28, 29.1, 35; 34/523,
34/595, 597; 68/3 R, 5 R, 17 R, 12.01, 12.08,
68/212; 134/93

See application file for complete search history.

(56) **References Cited**

U.S. PATENT DOCUMENTS

D232,187 S *	7/1974	McCollum	D32/25
4,203,307 A *	5/1980	Obata et al.	68/17 R
4,426,362 A *	1/1984	Copeland et al.	422/263
D306,923 S *	3/1990	Bodecker et al.	D32/25
D344,166 S *	2/1994	Jones	D32/30
5,782,109 A *	7/1998	Spriggs et al.	68/17 R
7,543,465 B2 *	6/2009	Kwon et al.	68/17 R
7,805,964 B2 *	10/2010	Park	68/17 R
7,827,831 B2 *	11/2010	Bolduan et al.	68/17 R

* cited by examiner

Primary Examiner — T. Chase Nelson

Assistant Examiner — Kathleen M Sims

(74) *Attorney, Agent, or Firm* — Birch, Stewart, Kolasch & Birch, LLP

(57) **CLAIM**

The ornamental design for a detergent box for washing machine, as shown and described.

DESCRIPTION

FIG. 1 is a perspective view of a detergent box for washing machine showing our new design;

FIG. 2 is a front view thereof;

FIG. 3 is a rear view thereof;

FIG. 4 is a left side view thereof where the right side view is a mirror image;

FIG. 5 is a top plan view thereof;

FIG. 6 is a bottom plan view thereof;

FIG. 7 is a perspective view showing an example of the usage of the detergent box in which the detergent box has been installed into a washing machine; and,

FIG. 8 is a perspective view showing an example of the usage of the detergent box in which the detergent box has been installed into a washing machine and then the covers at both sides of the upper part have been opened.

The broken lines on the design in FIGS. 3, 7 and 8 depict portions of the detergent box that form no part of the claimed design. The broken line depiction of a washing machine in FIGS. 7 and 8 depict environmental structure that also forms no part of the claimed design.

1 Claim, 7 Drawing Sheets

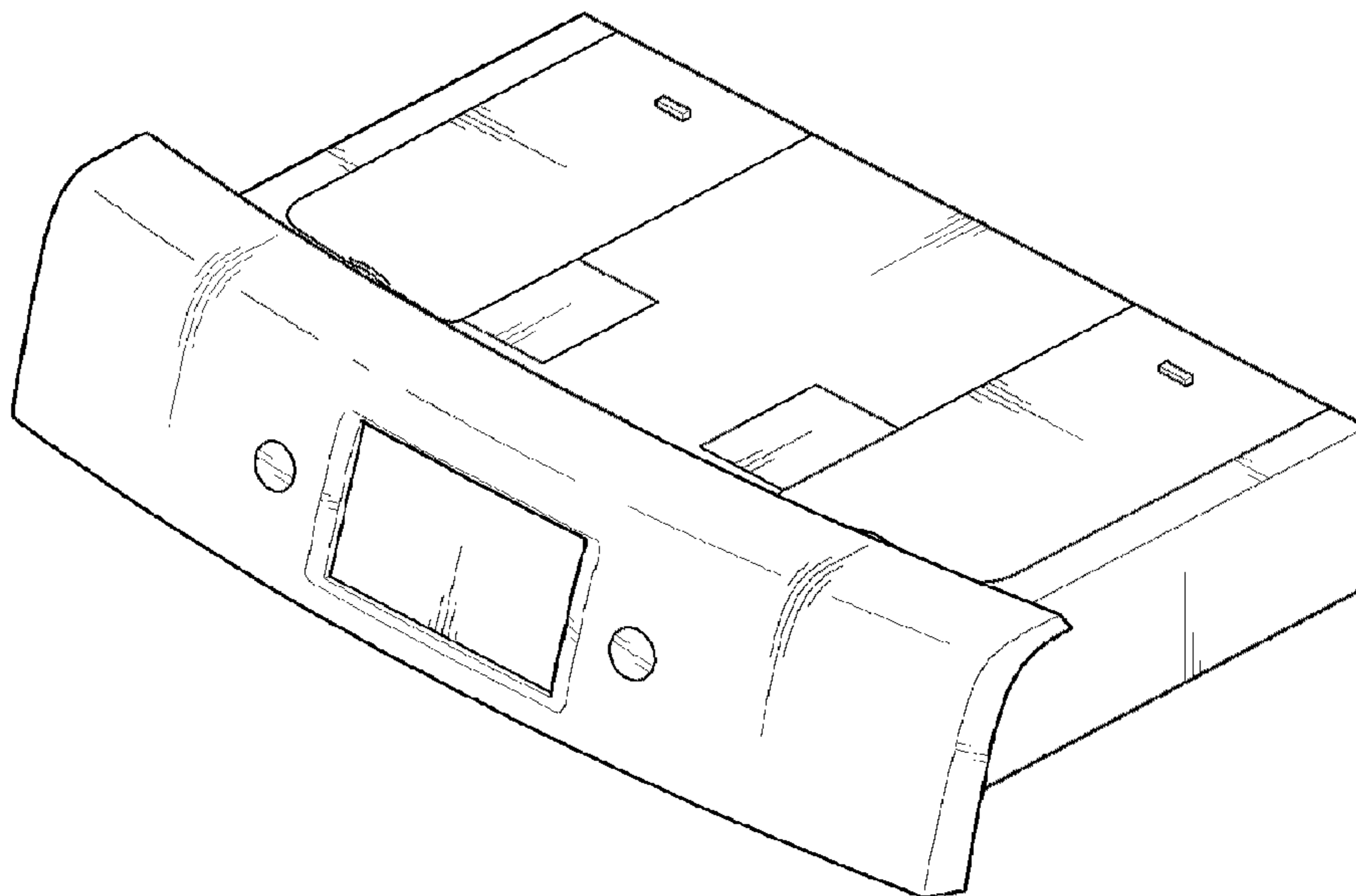


FIG. 1

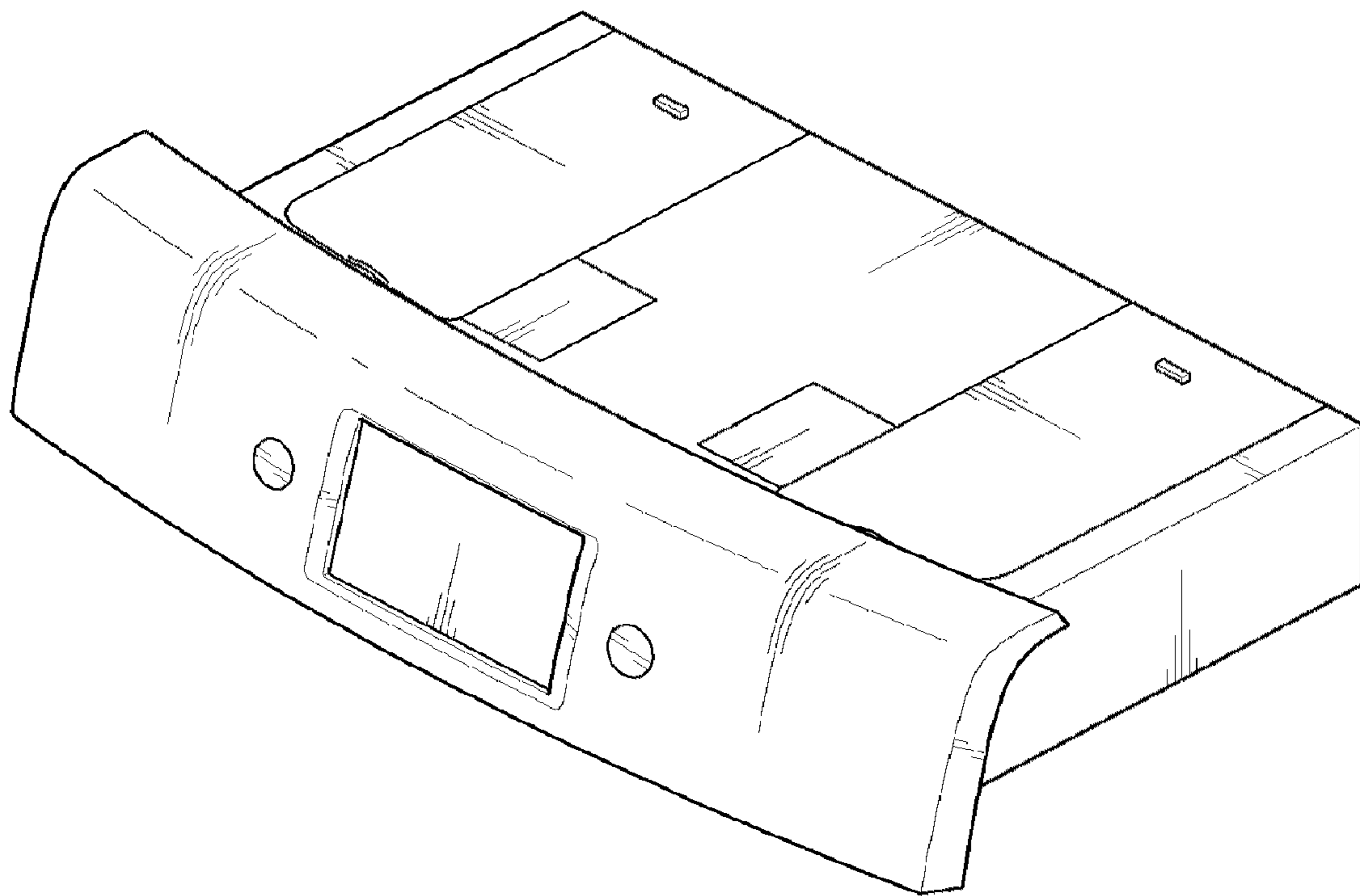


FIG. 2

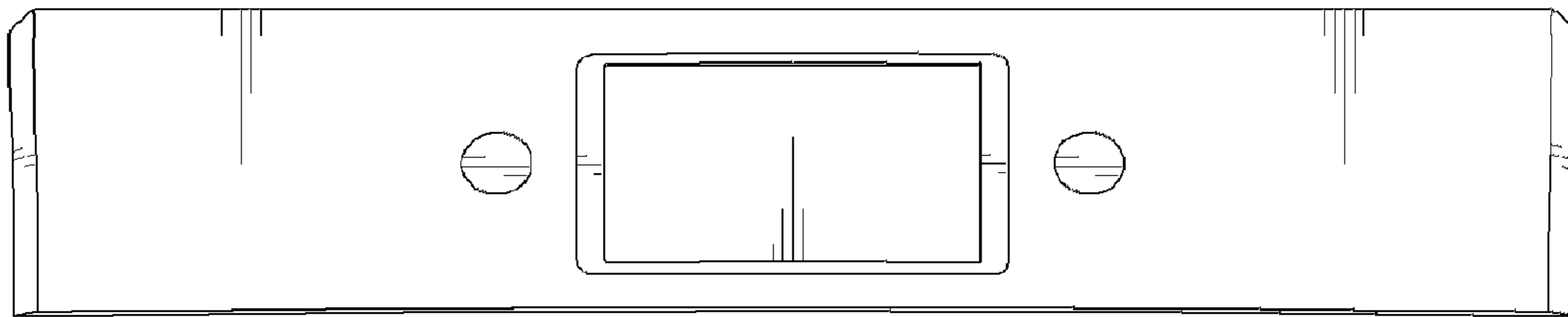


FIG. 3

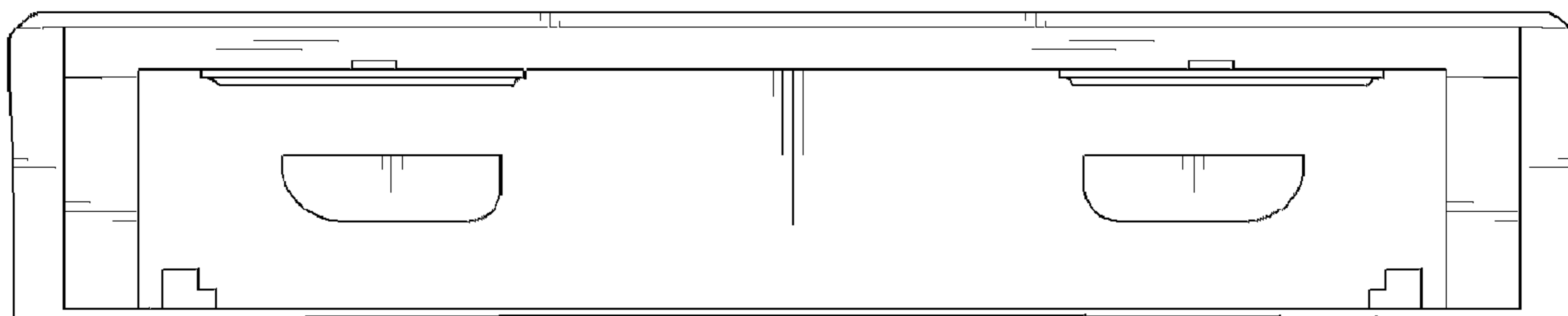


FIG. 4

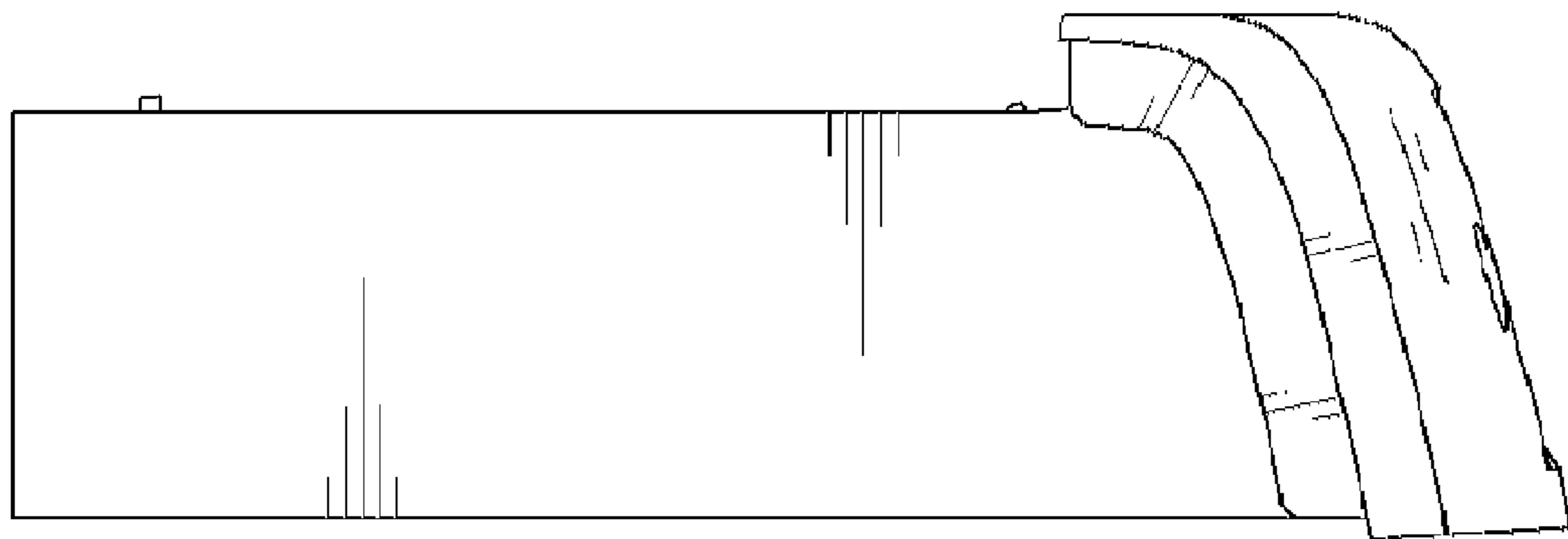


FIG. 5

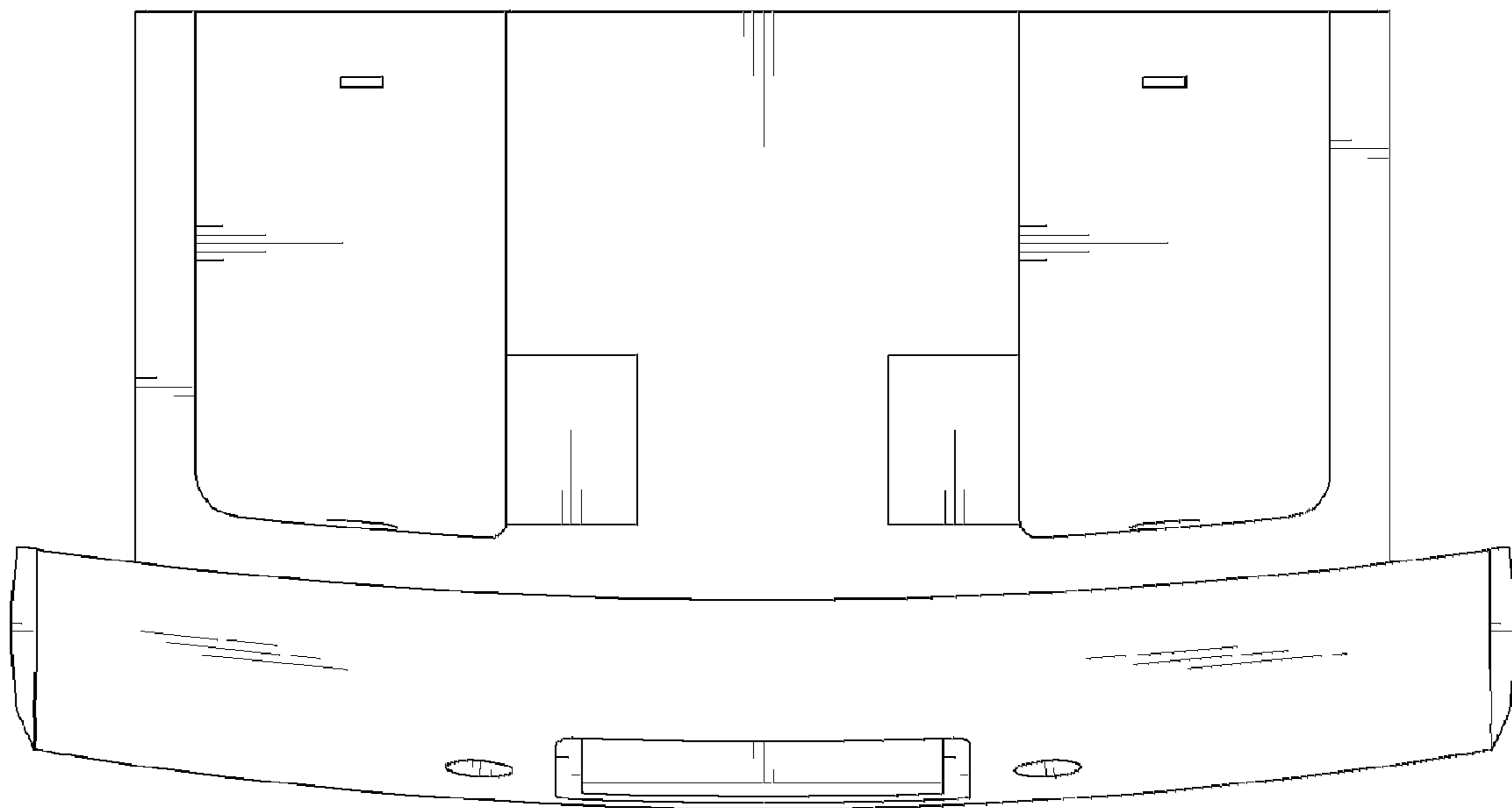


FIG. 6

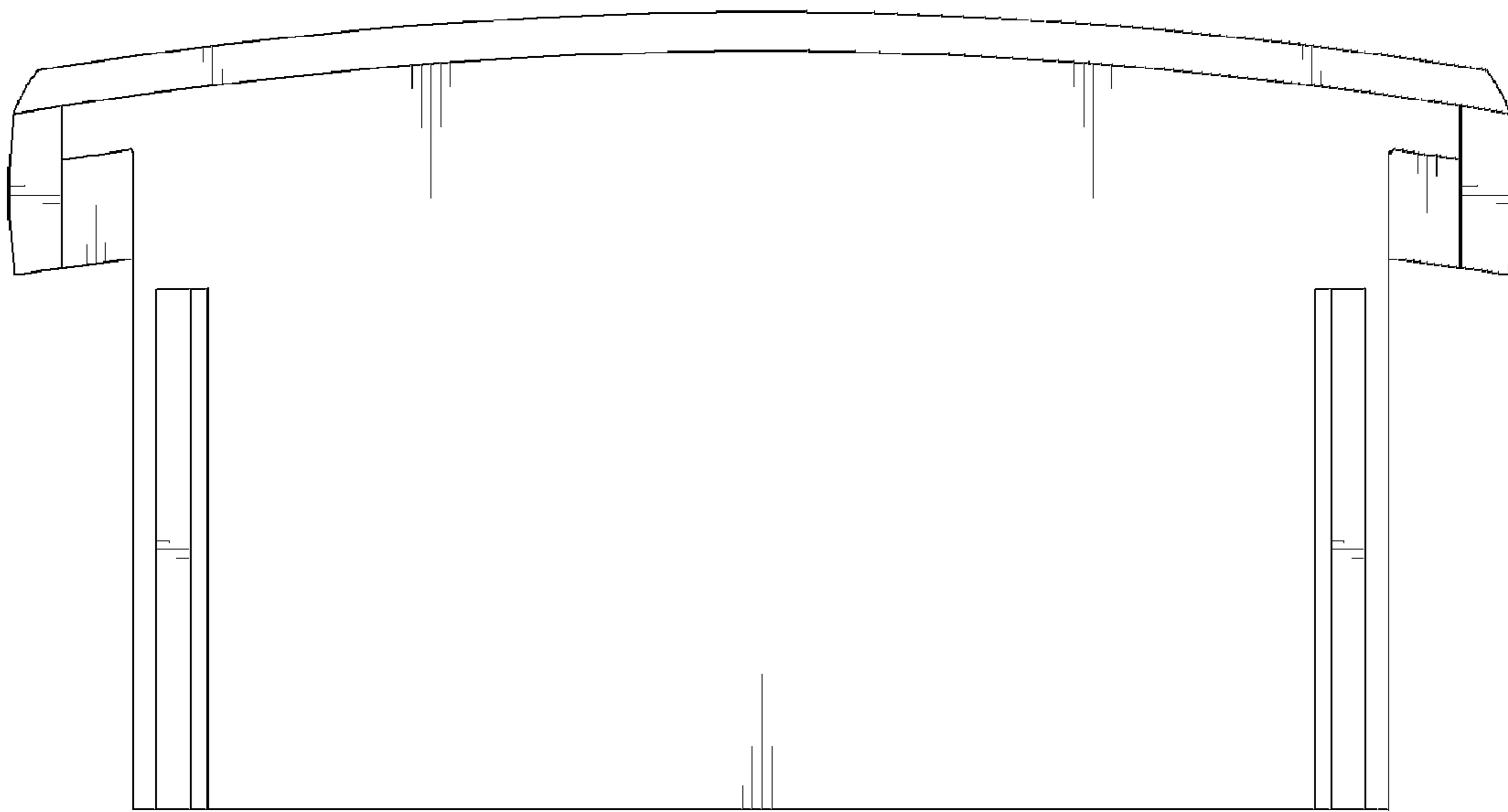


FIG. 7

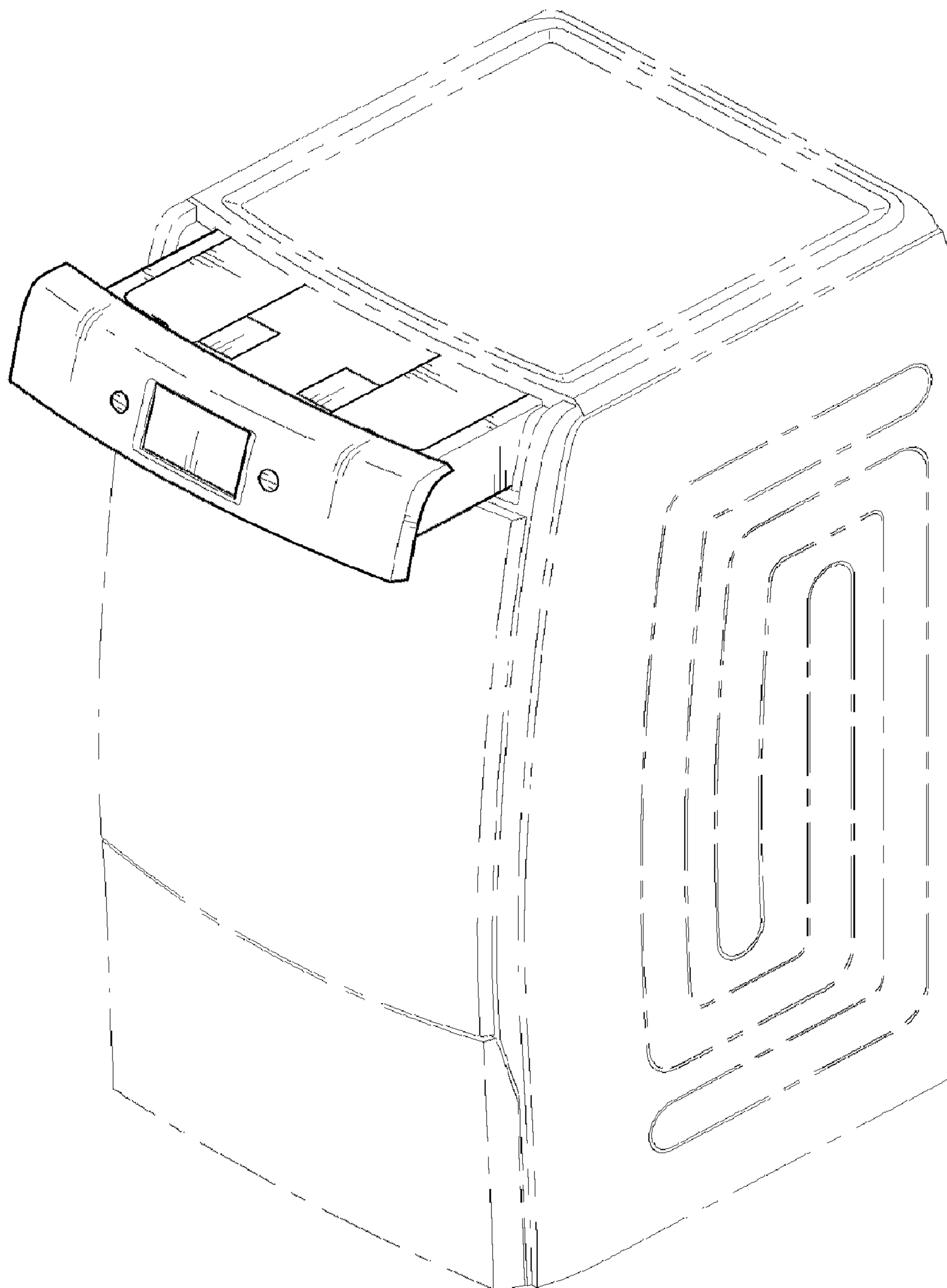


FIG. 8

