



US00D658342S

(12) **United States Design Patent**
Danak

(10) **Patent No.:** **US D658,342 S**

(45) **Date of Patent:** **** Apr. 24, 2012**

(54) **LAUNDRY TUB LINT TRAP AND OVERFLOW GUARD**

(76) Inventor: **John P. Danak**, Canton, MI (US)

(**) Term: **14 Years**

(21) Appl. No.: **29/367,152**

(22) Filed: **Aug. 3, 2010**

(51) **LOC (9) Cl.** **15-05**

(52) **U.S. Cl.** **D32/25**

(58) **Field of Classification Search** D32/1,
D32/25; D23/209, 261; 210/232, 463, 493.5,
210/497.01

See application file for complete search history.

(56) **References Cited**

U.S. PATENT DOCUMENTS

1,436,294	A *	11/1922	Scott	210/473
1,589,544	A *	6/1926	Natow et al.	4/289
2,512,394	A *	6/1950	Sullivan	68/18 F
2,754,003	A *	7/1956	Fenner	210/134
3,075,203	A *	1/1963	Stafford	4/680
D246,109	S *	10/1977	Rosaen	D23/209
4,123,361	A *	10/1978	Marschman	210/232
4,464,263	A *	8/1984	Brownell	210/484
4,806,241	A *	2/1989	Holien	210/248

5,015,375	A *	5/1991	Fleck	210/232
D368,514	S *	4/1996	Crepeau et al.	D23/261
6,387,261	B1 *	5/2002	Mojena	210/315
D551,318	S *	9/2007	MacNeil et al.	D23/209
D643,508	S *	8/2011	Wilkinson et al.	D23/209

* cited by examiner

Primary Examiner — T. Chase Nelson

Assistant Examiner — Kathleen M Sims

(74) *Attorney, Agent, or Firm* — QuickPatents, Inc.; Kevin Prince

(57) **CLAIM**

What is claimed is the ornamental design for a laundry tub lint trap and overflow guard, as shown and described.

DESCRIPTION

FIG. 1 is a perspective view of a laundry tub lint trap and overflow guard, showing the new design;

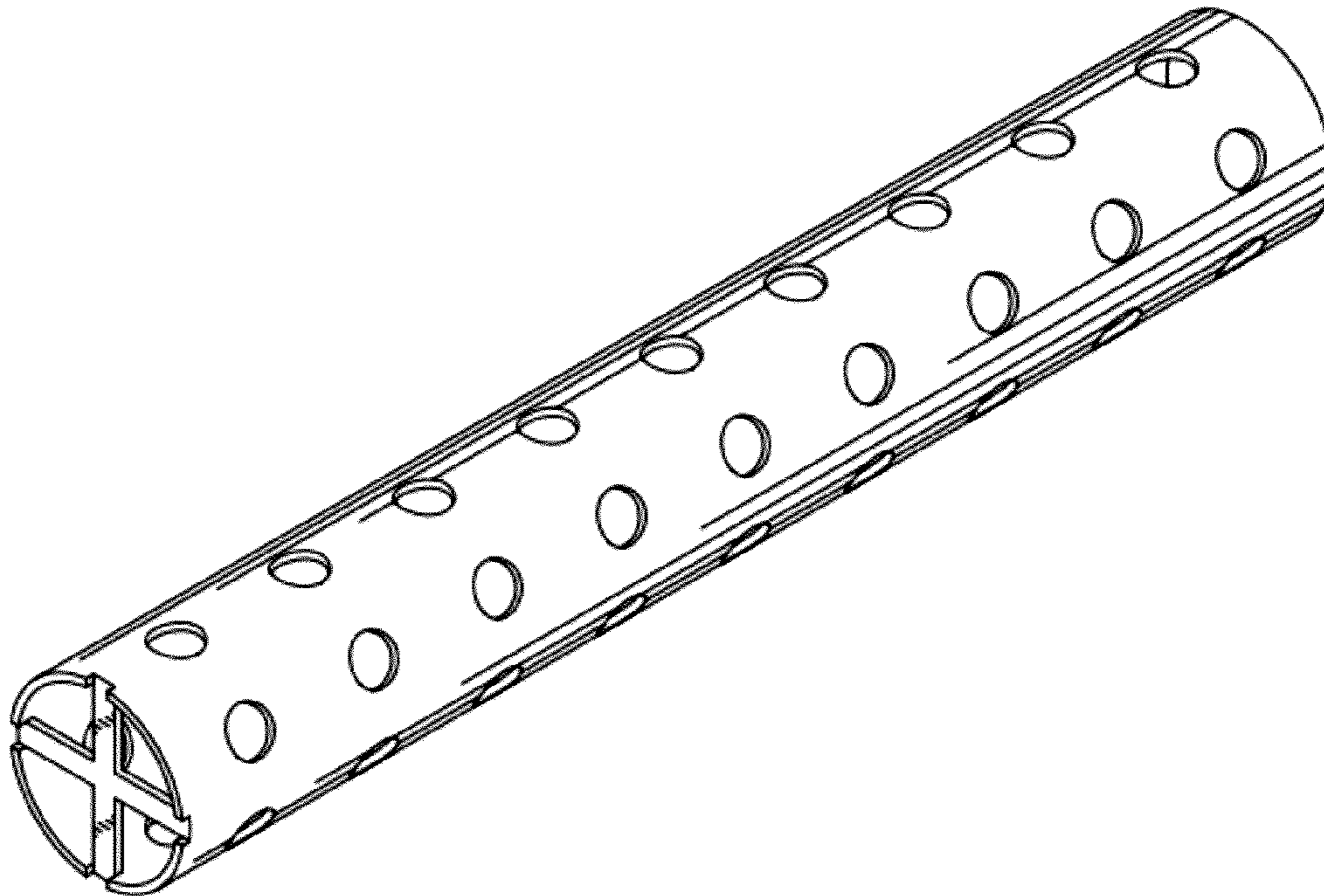
FIG. 2 is a bottom plan view thereof;

FIG. 3 is a top plan view thereof;

FIG. 4 is a front elevational view thereof, the rear elevational view being a mirror image thereof; and,

FIG. 5 is a left-side elevational view thereof, the right-side elevational view being a mirror image thereof.

1 Claim, 1 Drawing Sheet



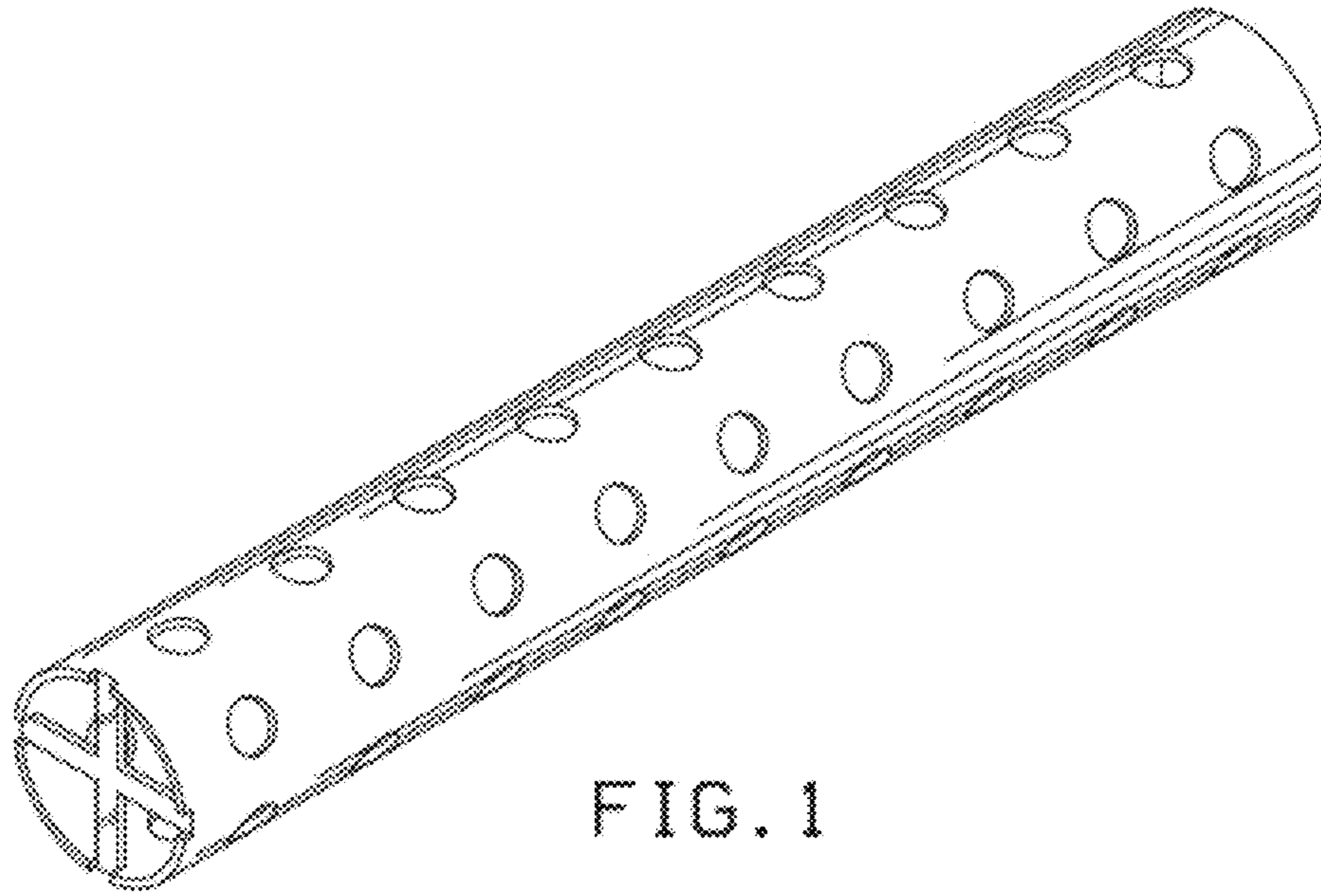


FIG. 1

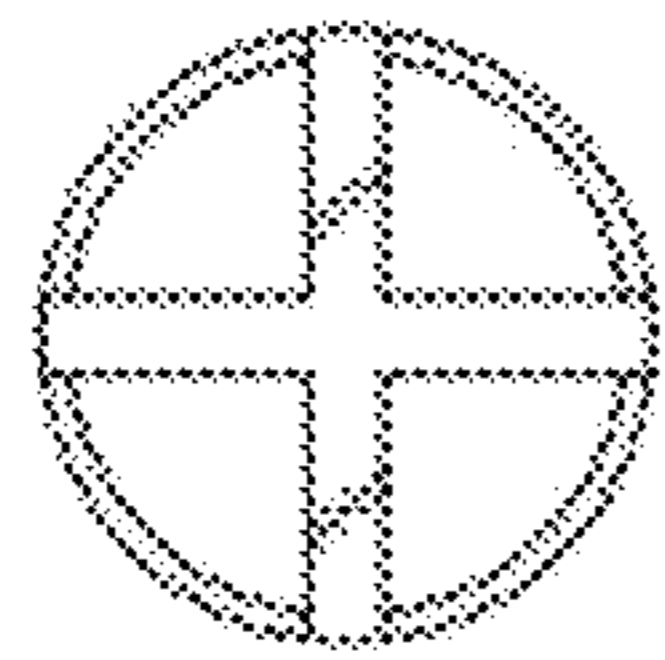


FIG. 2

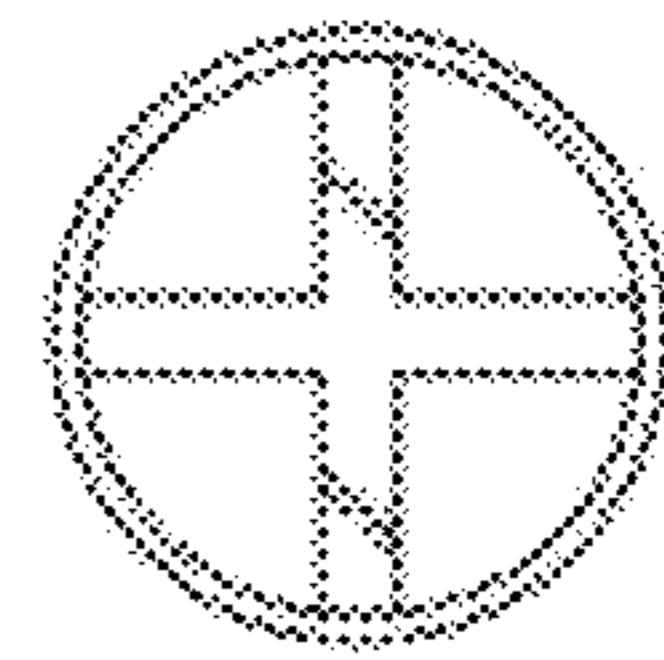


FIG. 3

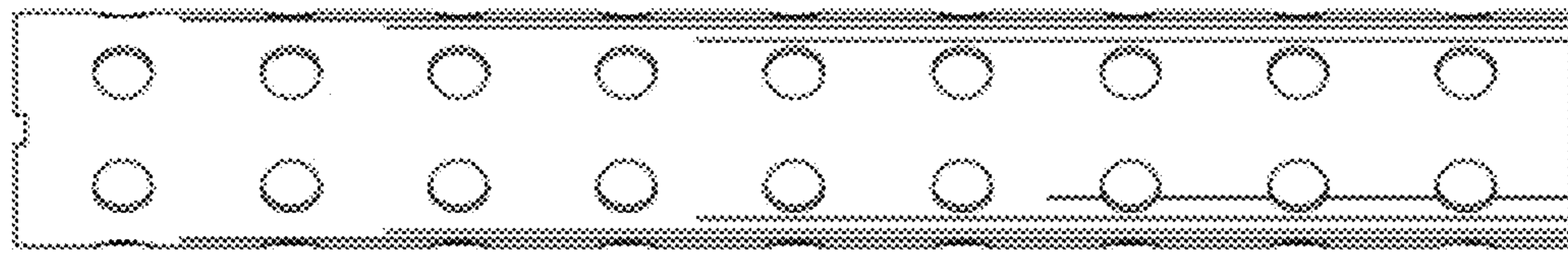


FIG. 4

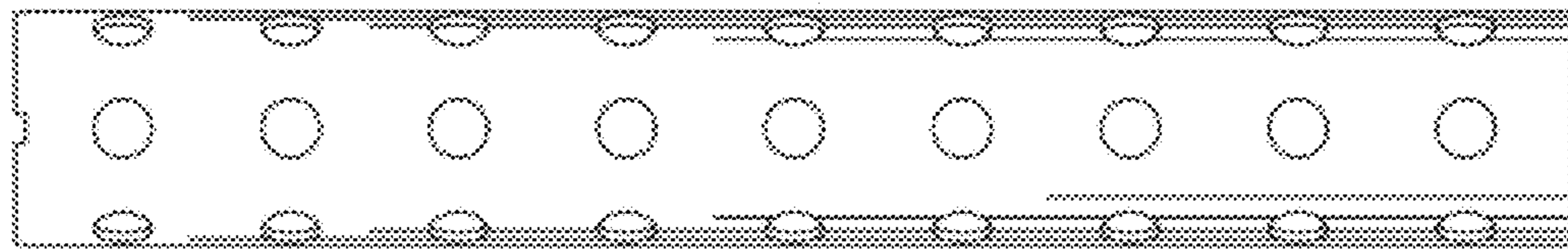


FIG. 5