



US00D658341S

(12) **United States Design Patent**
Nam et al.

(10) **Patent No.:** **US D658,341 S**
(45) **Date of Patent:** **** Apr. 24, 2012**

(54) **ROBOT CLEANER**

(75) Inventors: **Bohyun Nam**, Seoul (KR); **Sanghun Kim**, Gyeonggi-do (KR); **Jinju Kim**, Gyeonggi-do (KR); **Hyoungwon Roh**, Seoul (KR); **Sojin Park**, Seoul (KR)

(73) Assignee: **LG Electronics Inc.**, Seoul (KR)

(**) Term: **14 Years**

(21) Appl. No.: **29/386,224**

(22) Filed: **Feb. 25, 2011**

(30) **Foreign Application Priority Data**

Aug. 31, 2010 (KR) 30-2010-0038179

(51) **LOC (9) Cl.** **15-05**

(52) **U.S. Cl.** **D32/21**

(58) **Field of Classification Search** D32/21,
D32/31; 701/25, 23, 200; 15/319, 307, 347,
15/4, 340.11, 46; 901/1, 46; 700/25; 318/568.12,
318/568.16

See application file for complete search history.

(56) **References Cited**

U.S. PATENT DOCUMENTS

D527,854	S	*	9/2006	Marzynski	D32/21
D548,902	S	*	8/2007	Chun et al.	D32/21
D548,903	S	*	8/2007	Chun et al.	D32/21
D556,961	S	*	12/2007	Swyst et al.	D32/21
D586,959	S	*	2/2009	Geringer et al.	D32/21
D596,815	S	*	7/2009	Baek	D32/21
7,861,366	B2	*	1/2011	Hahm et al.	15/319
2007/0244610	A1	*	10/2007	Ozick et al.	701/23
2008/0235897	A1	*	10/2008	Kim et al.	15/319
2008/0282494	A1	*	11/2008	Won et al.	15/319
2011/0010873	A1	*	1/2011	Kim et al.	15/4

* cited by examiner

Primary Examiner — Ruth McInroy

(74) *Attorney, Agent, or Firm* — Morgan, Lewis & Bockius LLP

(57) **CLAIM**

The ornamental design for a robot cleaner, as shown and described.

DESCRIPTION

FIG. 1 is a perspective view of a robot cleaner showing our new design;
FIG. 2 is a front view thereof;
FIG. 3 is a rear view thereof;
FIG. 4 is a left side view thereof where the right side view is a mirror image; and,
FIG. 5 is a top plan view thereof.

1 Claim, 5 Drawing Sheets

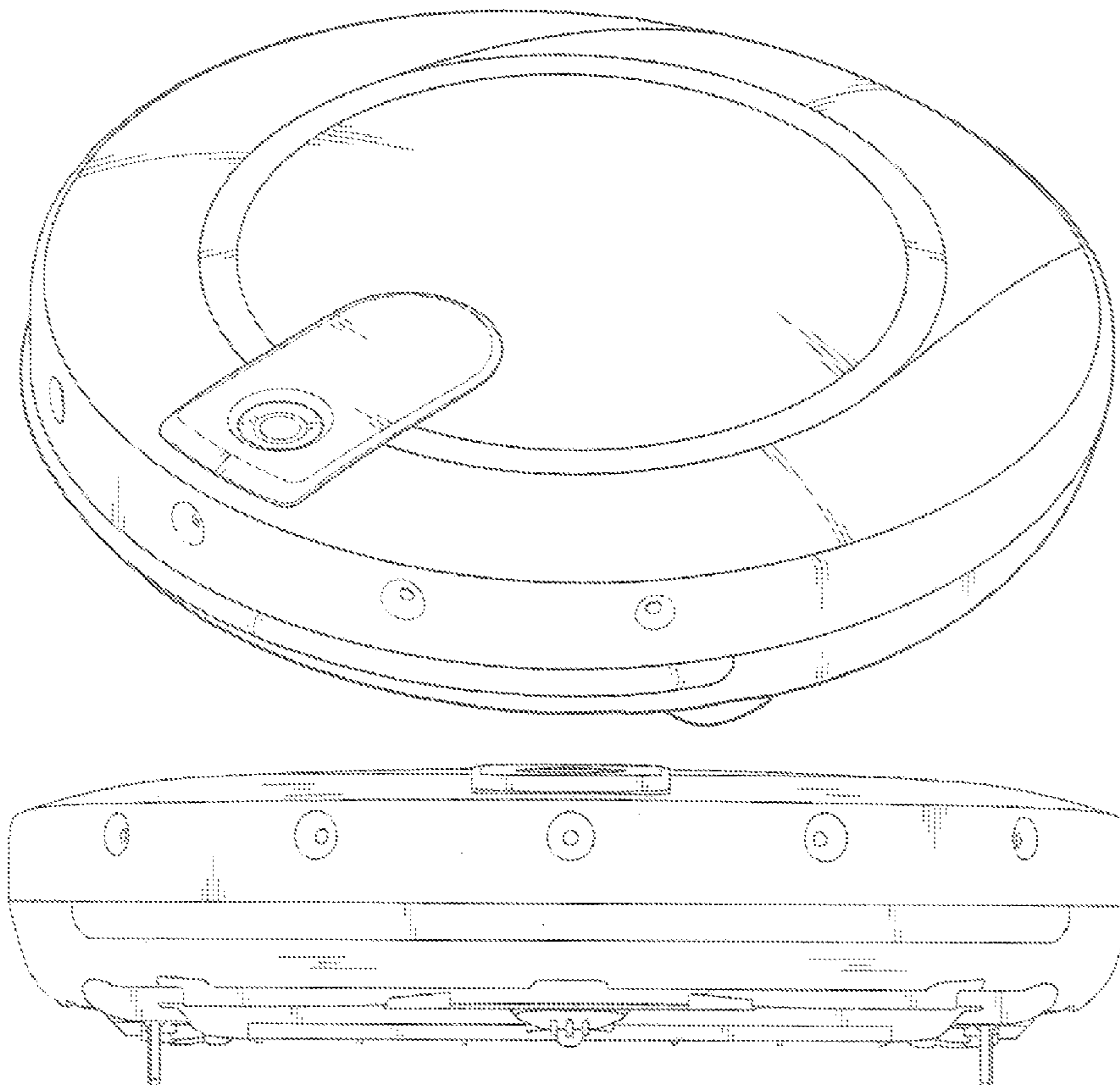


FIG. 1

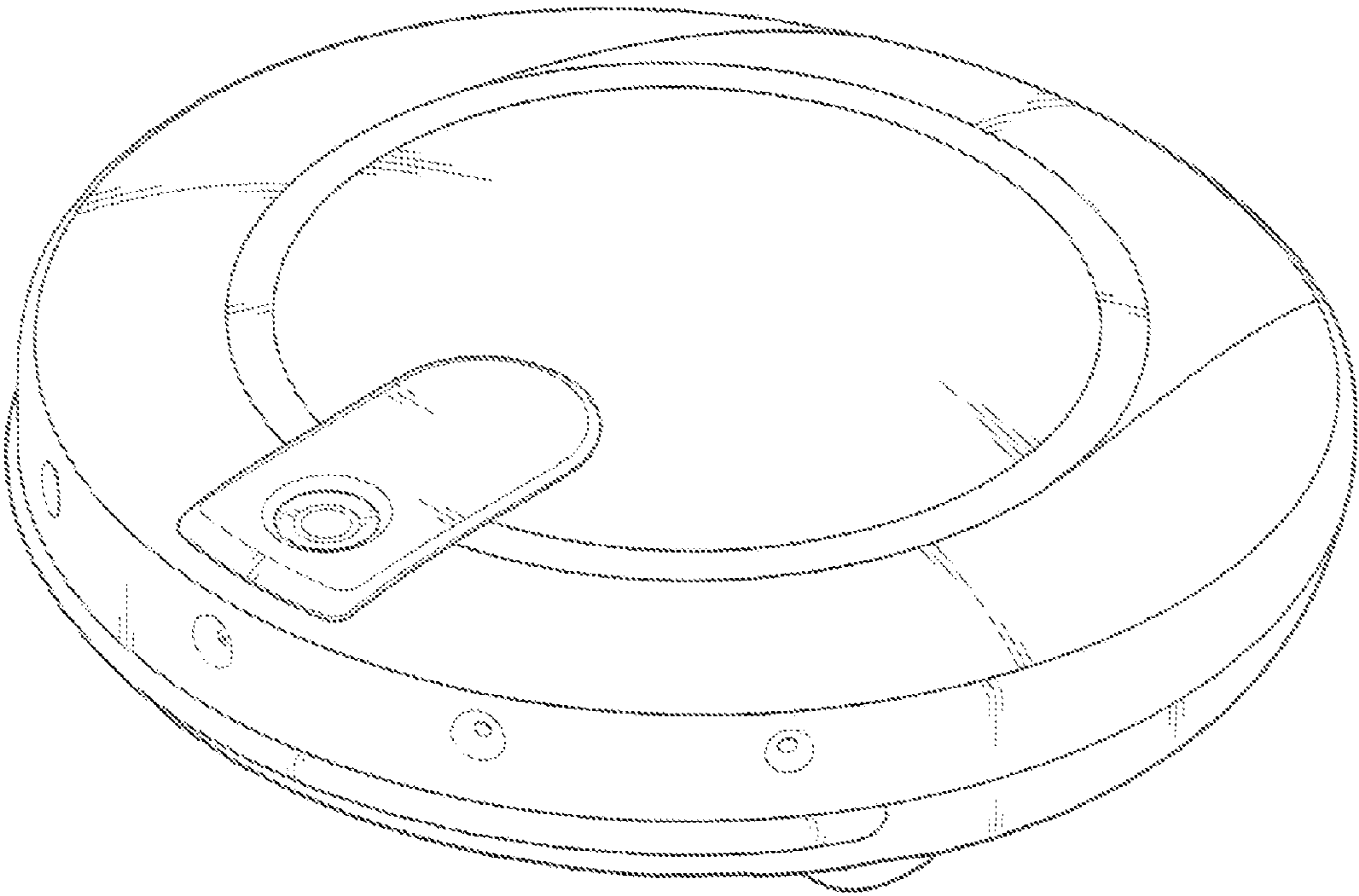


FIG. 2

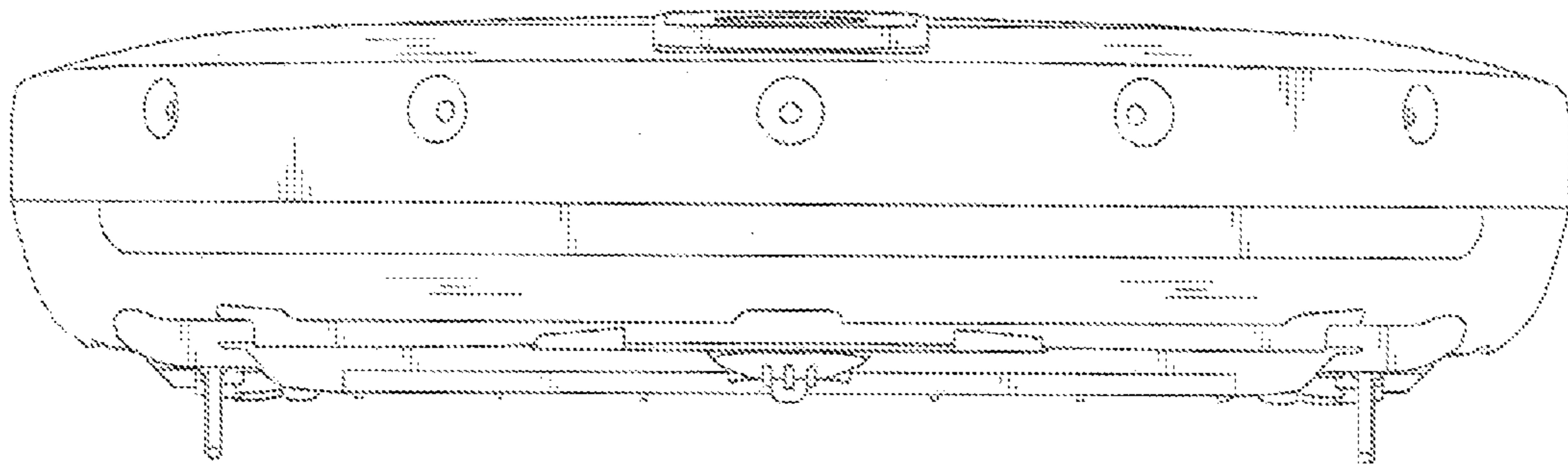


FIG. 3

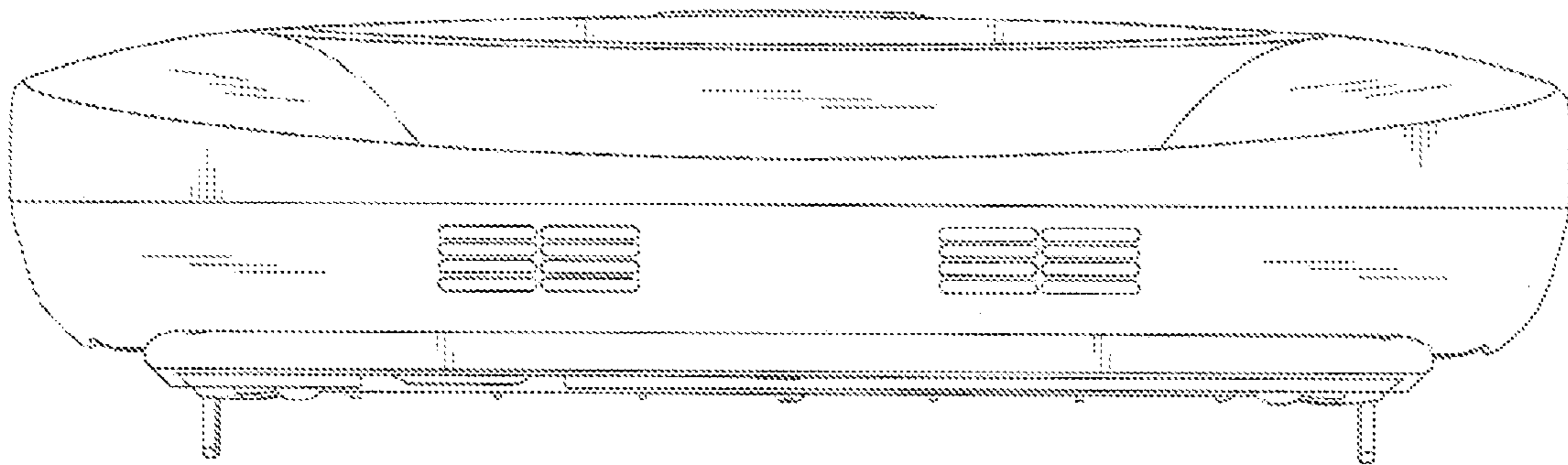


FIG. 4

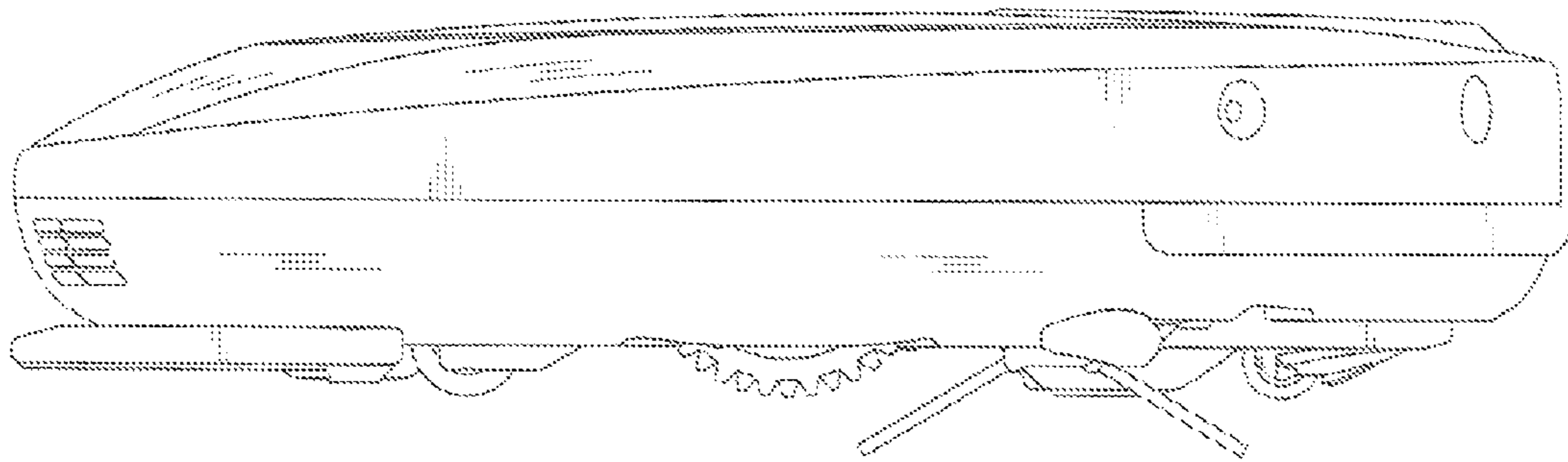


FIG. 5

