



US00D658338S

(12) **United States Design Patent**  
**Law**

(10) **Patent No.:** **US D658,338 S**  
(45) **Date of Patent:** **\*\* Apr. 24, 2012**

(54) **BIRD FEEDER**

(76) Inventor: **Michael F. Law**, Lancaster, MA (US)

(\*\*) Term: **14 Years**

(21) Appl. No.: **29/397,692**

(22) Filed: **Jul. 20, 2011**

(51) **LOC (9) Cl.** ..... **30-03**

(52) **U.S. Cl.** ..... **D30/124; D30/125**

(58) **Field of Classification Search** ..... D30/121,  
D30/124-128, 133, 110-112, 115, 117, 119;  
119/51.01, 52.1-52.4, 57.8-57.9, 53, 428-429,  
119/433-435, 469, 468, 459; D26/67, 72,  
D26/118; 362/152, 153, 159, 183, 266, 363,  
362/431, 432, 161, 163, 179-182, 313-316,  
362/373, 392, 399, 810

See application file for complete search history.

D323,574 S *	1/1992	Carter	.....	D99/43
D331,132 S *	11/1992	Maddocks	.....	D30/121
5,165,366 A *	11/1992	Harvey	.....	119/165
5,170,747 A *	12/1992	Strangio	.....	119/428
D334,636 S	4/1993	Honeycutt		
D350,627 S *	9/1994	Moniak	.....	D30/124
D351,690 S *	10/1994	Honeycutt	.....	D30/124
D359,146 S *	6/1995	Finch	.....	D30/121
D373,226 S *	8/1996	Bloom et al.	.....	D30/124
D384,166 S	9/1997	Coates		
D391,689 S *	3/1998	Blackwell et al.	.....	D30/119
D396,331 S *	7/1998	Niemetz	.....	D30/110
5,890,455 A *	4/1999	Donchey	.....	119/484
5,904,330 A *	5/1999	Manico et al.	.....	248/206.3
5,975,017 A *	11/1999	Cameron	.....	119/165
D424,249 S	5/2000	Banzaca		
6,062,167 A *	5/2000	Soley	.....	119/57.8

(Continued)

*Primary Examiner* — Susan Moon Lee

(74) *Attorney, Agent, or Firm* — QuickPatents, Inc.; Kevin Prince

(56) **References Cited**

U.S. PATENT DOCUMENTS

459,216 A *	9/1891	Sumner	.....	119/453
2,430,541 A	11/1947	Thatcher		
D187,135 S *	2/1960	McDonald	.....	D30/126
2,930,087 A *	3/1960	Shimel	.....	52/73
D191,518 S *	10/1961	Olsen	.....	D30/124
3,089,461 A *	5/1963	Dunn	.....	119/57.9
3,291,100 A	12/1966	Negaard		
D225,215 S	11/1972	Francis		
3,946,522 A *	3/1976	Schifman	.....	47/68
D240,755 S *	7/1976	Clark et al.	.....	D25/35
4,224,899 A *	9/1980	Cruchelow et al.	.....	119/501
4,261,294 A *	4/1981	Bescherer	.....	119/57.8
D268,996 S	5/1983	Elleby, Jr. et al.		
D285,847 S *	9/1986	Read	.....	D30/124
D290,414 S *	6/1987	Gerber	.....	D30/128
4,753,195 A *	6/1988	Maggio	.....	119/52.2
4,788,934 A *	12/1988	Fetter	.....	119/484
4,881,491 A	11/1989	Brown		
4,892,060 A *	1/1990	Lundquist	.....	119/52.2
D308,495 S	6/1990	Honeycutt		
5,016,571 A *	5/1991	Totaro	.....	119/428
D320,952 S	10/1991	Lang		

(57) **CLAIM**

I claim the ornamental design for a bird feeder, as shown and described.

**DESCRIPTION**

FIG. 1 is a perspective view of a bird feeder, showing my new design;

FIG. 2 is a front elevational view thereof;

FIG. 3 is a top plan view thereof;

FIG. 4 is a left-side elevational view thereof, the right-side elevational view being a mirror image thereof;

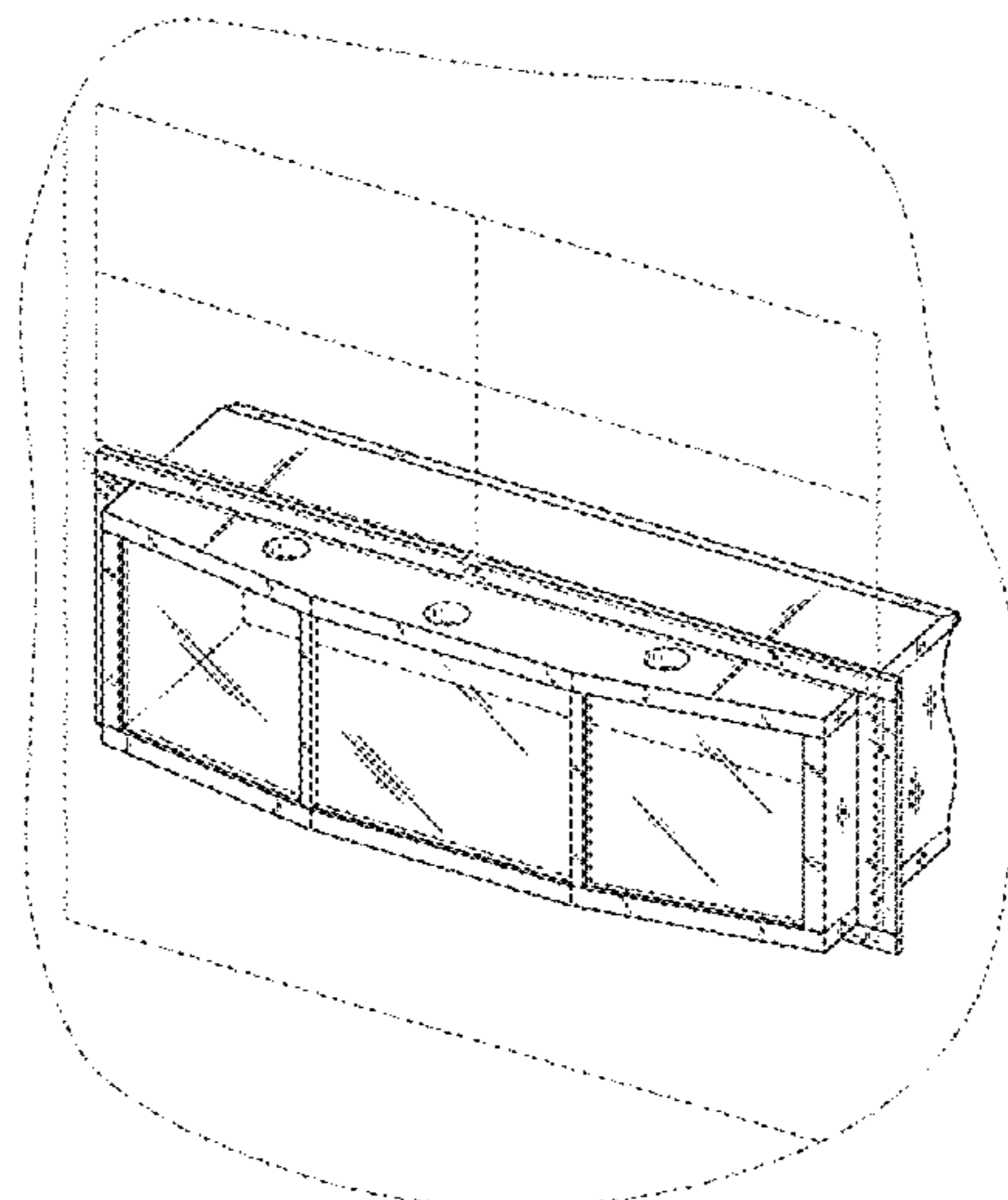
FIG. 5 is a bottom plan view thereof; and,

FIG. 6 is a rear elevational view thereof.

The broken lines showing a window frame in FIG. 1 depicts environmental matter and form no part of the claimed design.

The rear of the bird feeder is of no particular length and is therefore shown broken away. It is understood that patent protection on the claim is provided only on what is actually shown in the drawings.

**1 Claim, 3 Drawing Sheets**



# US D658,338 S

Page 2

---

U.S. PATENT DOCUMENTS			
6,857,394	B2 *	2/2005	Redford ..... 119/537
7,162,972	B2	1/2007	Stachowiak
D561,955	S *	2/2008	Mc Donough ..... D30/119
8,025,030	B1 *	9/2011	Litwin et al. .... 119/57.8
2004/0113796	A1 *	6/2004	Noyes ..... 340/573.3
2006/0137618	A1 *	6/2006	Poirier et al. .... 119/57.8
* cited by examiner			

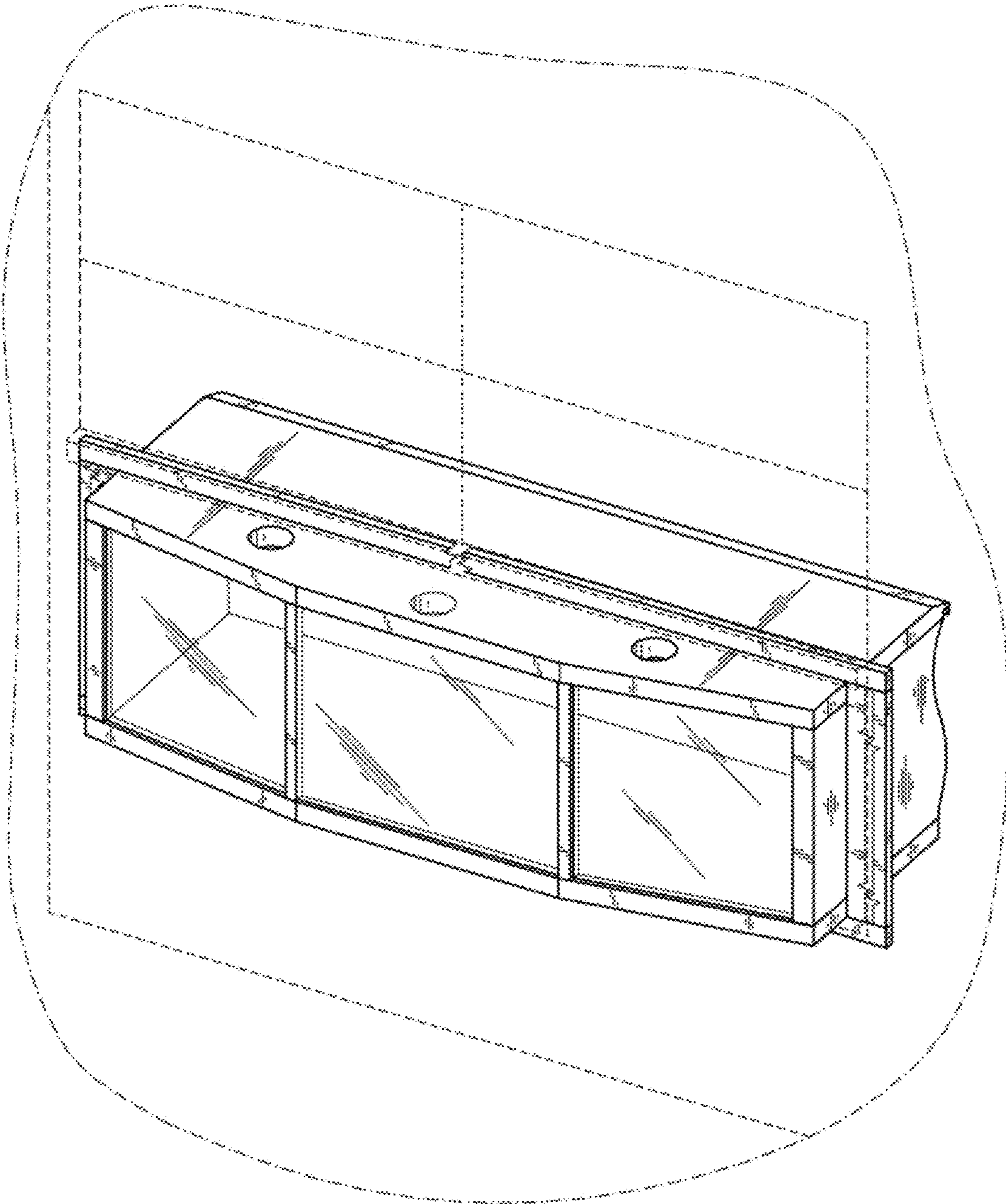


FIG. 1

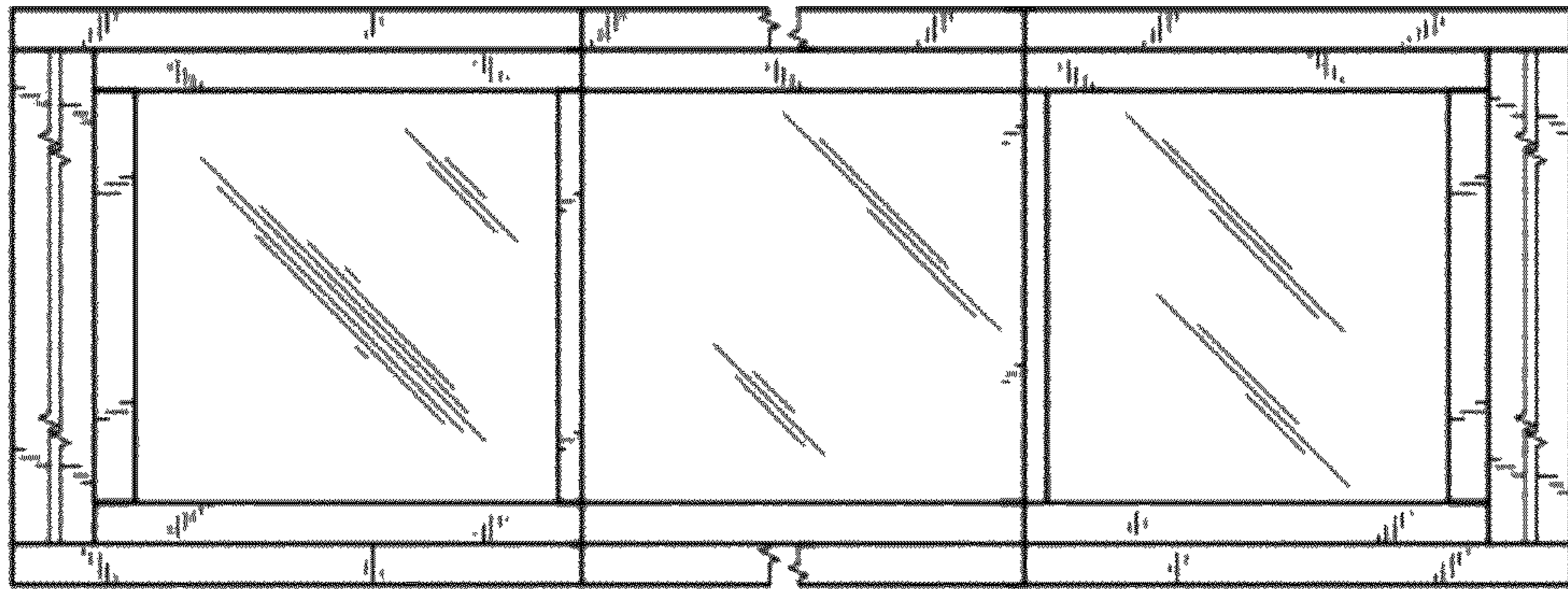


FIG. 2

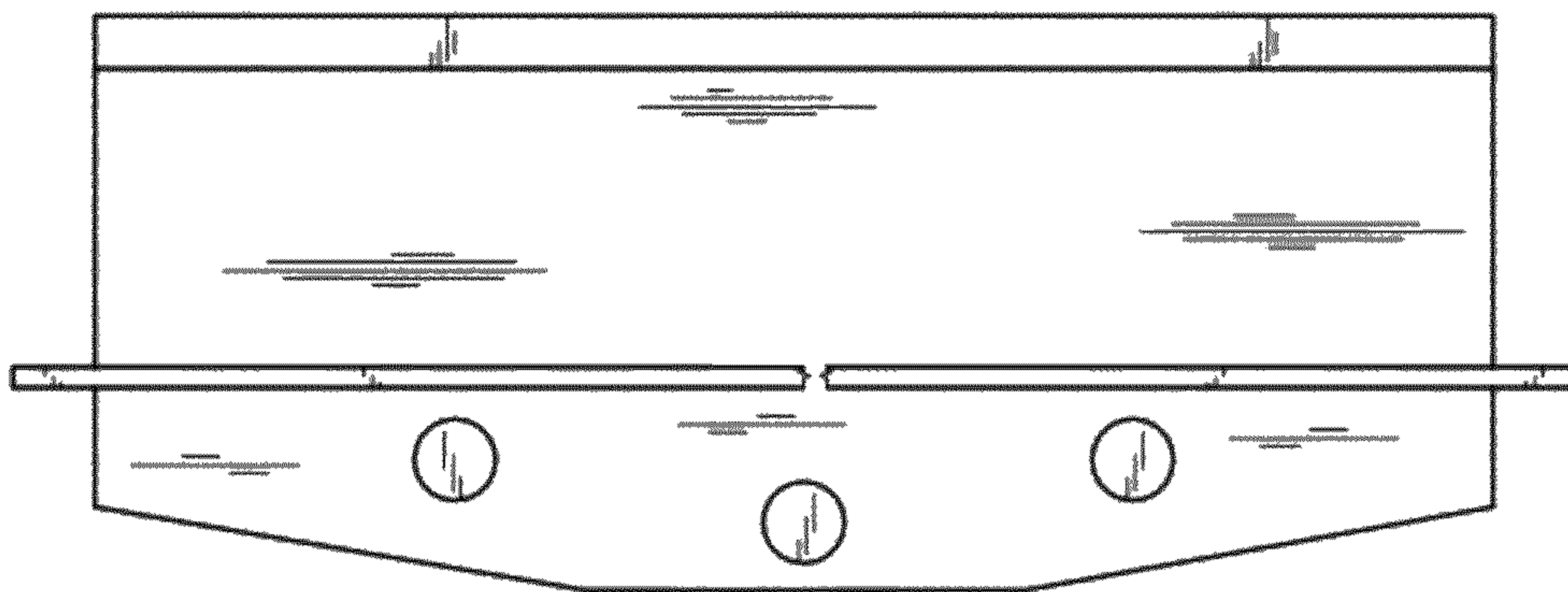


FIG. 3

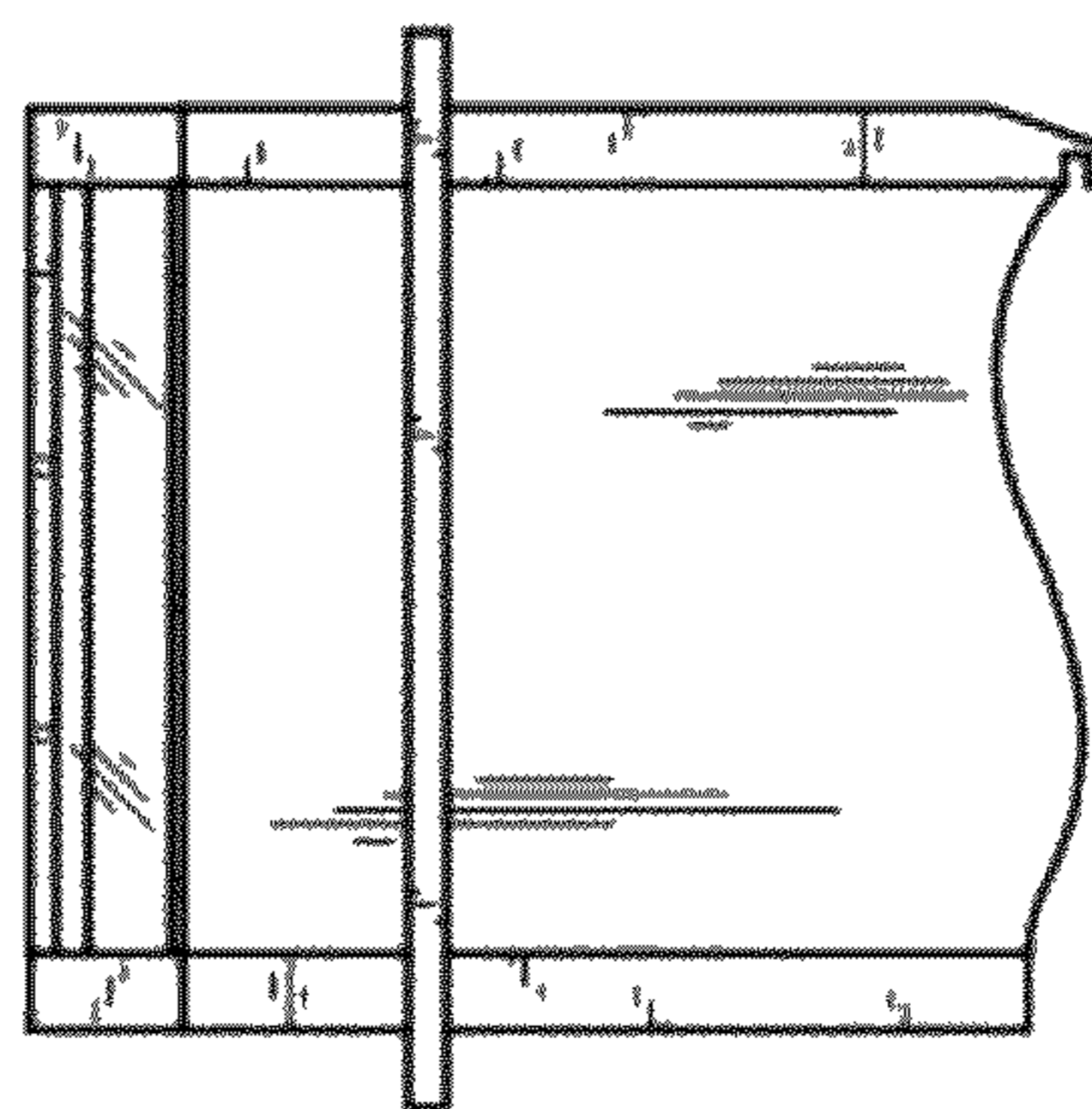


FIG. 4

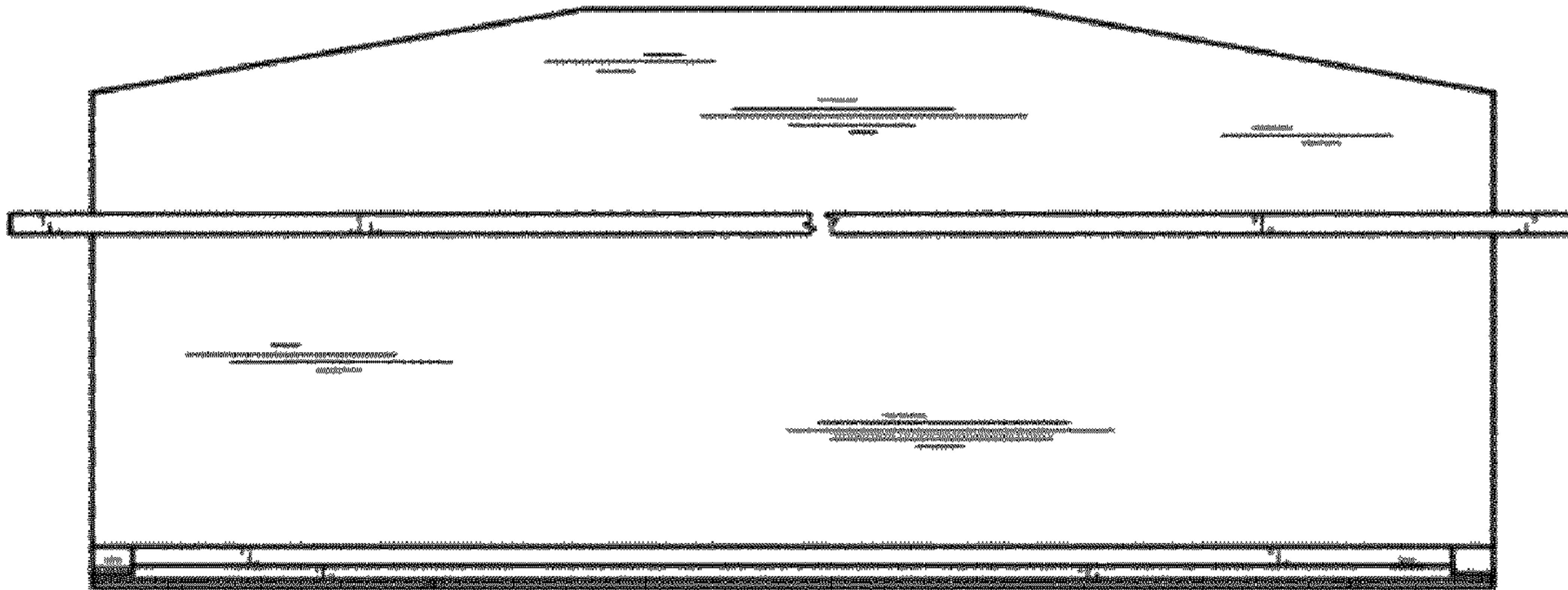


FIG. 5

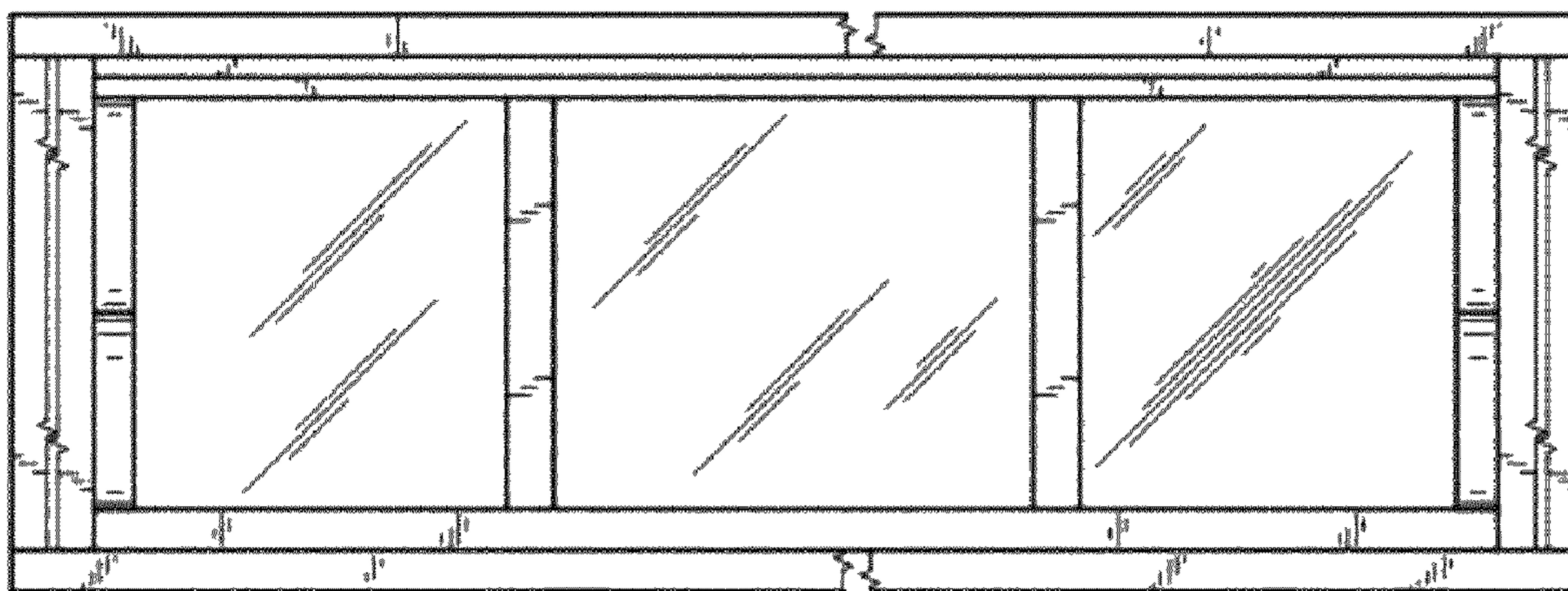


FIG. 6