



US00D658332S

(12) **United States Design Patent**
Huang

(10) **Patent No.:** **US D658,332 S**

(45) **Date of Patent:** **** Apr. 24, 2012**

(54) **CONTAINER FOR NAIL POLISH BRUSH**

(75) Inventor: **Tao-Tien Huang**, Changhua Hsien (TW)

(73) Assignee: **Victoria Cosmetic Co. Ltd.**, Changhua (TW)

(**) Term: **14 Years**

(21) Appl. No.: **29/400,981**

(22) Filed: **Sep. 5, 2011**

(51) **LOC (9) Cl.** **28-03**

(52) **U.S. Cl.** **D28/62; D28/76; D9/504**

(58) **Field of Classification Search** D28/73,
D28/76-84, 85-90, 56-62; 206/581, 823,
206/385; 132/286-318; 401/17, 18, 126-130;
D9/503-504

See application file for complete search history.

(56) **References Cited**

U.S. PATENT DOCUMENTS

5,762,077	A *	6/1998	Griffiths, Jr.	132/74.5
D450,888	S *	11/2001	Breidenbach et al.	D28/76
D453,589	S *	2/2002	Breidenbach et al.	D28/76
D491,810	S *	6/2004	Kostow	D9/504
D517,243	S *	3/2006	Martinez	D28/76
D524,488	S *	7/2006	Bouix et al.	D28/76

D542,978	S *	5/2007	Bortolotti	D28/76
D583,506	S *	12/2008	Justice	D28/86
D585,600	S *	1/2009	Althoff et al.	D28/76
D585,601	S *	1/2009	Althoff et al.	D28/76
8,043,017	B2 *	10/2011	Beierwaltes et al.	401/17
2006/0165470	A1 *	7/2006	Gerules	401/18
2011/0100866	A1 *	5/2011	Gueret	206/581

* cited by examiner

Primary Examiner — Jennifer Rivard

(74) *Attorney, Agent, or Firm* — Che-Yang Chen; Law Office of Michael Chen

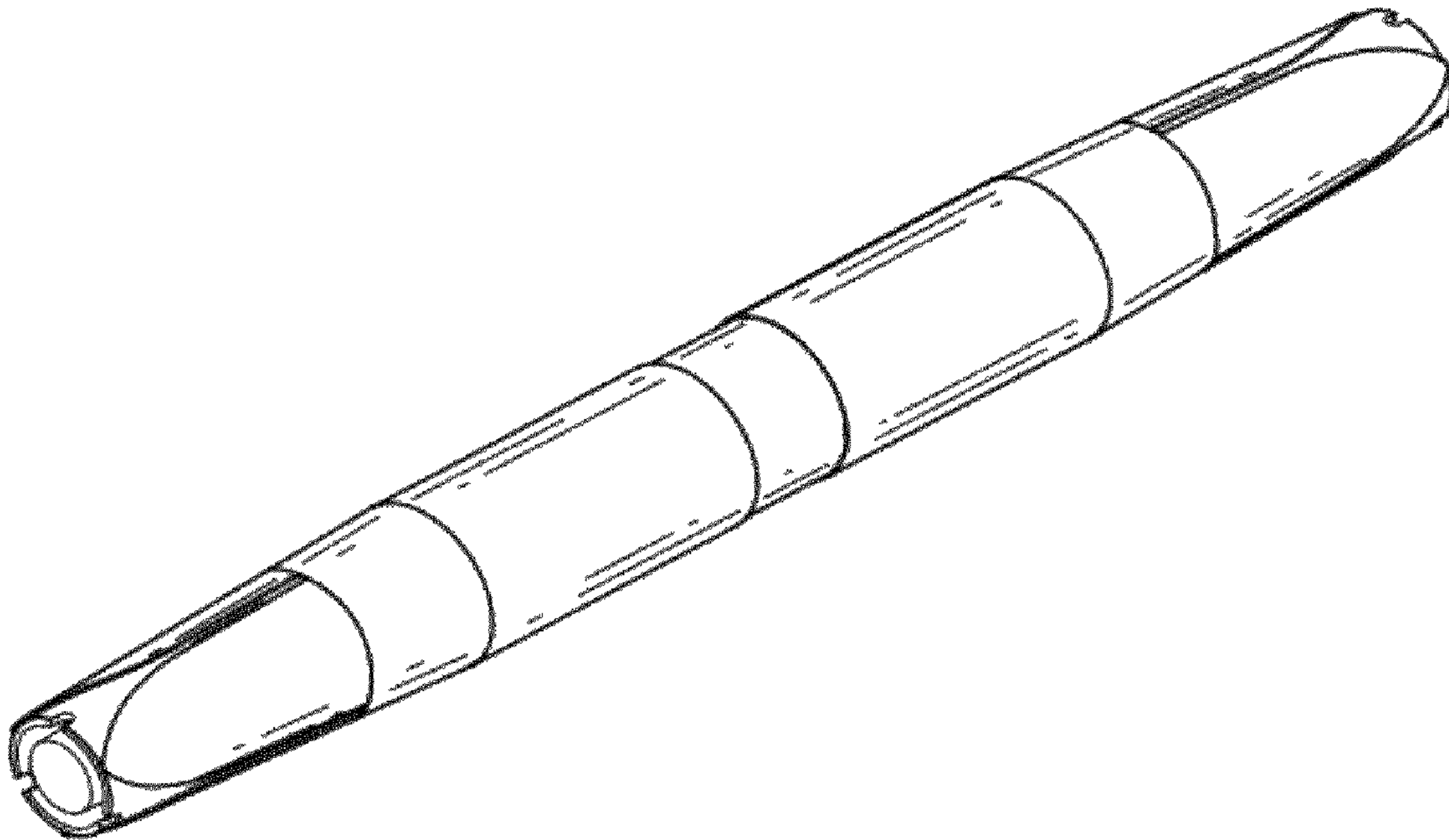
(57) **CLAIM**

The ornamental design for a container for nail polish brush, as shown and described.

DESCRIPTION

FIG. 1 is a perspective view of a container for nail polish brush showing my new design; FIG. 2 is a front view of the embodiment shown in FIG. 1; FIG. 3 is a rear view of the embodiment shown in FIG. 1; FIG. 4 is a left side view of the embodiment shown in FIG. 1; FIG. 5 is a right side view of the embodiment shown in FIG. 1; FIG. 6 is a top view of the embodiment shown in FIG. 1; and, FIG. 7 is a bottom view of the embodiment shown in FIG. 1.

1 Claim, 4 Drawing Sheets



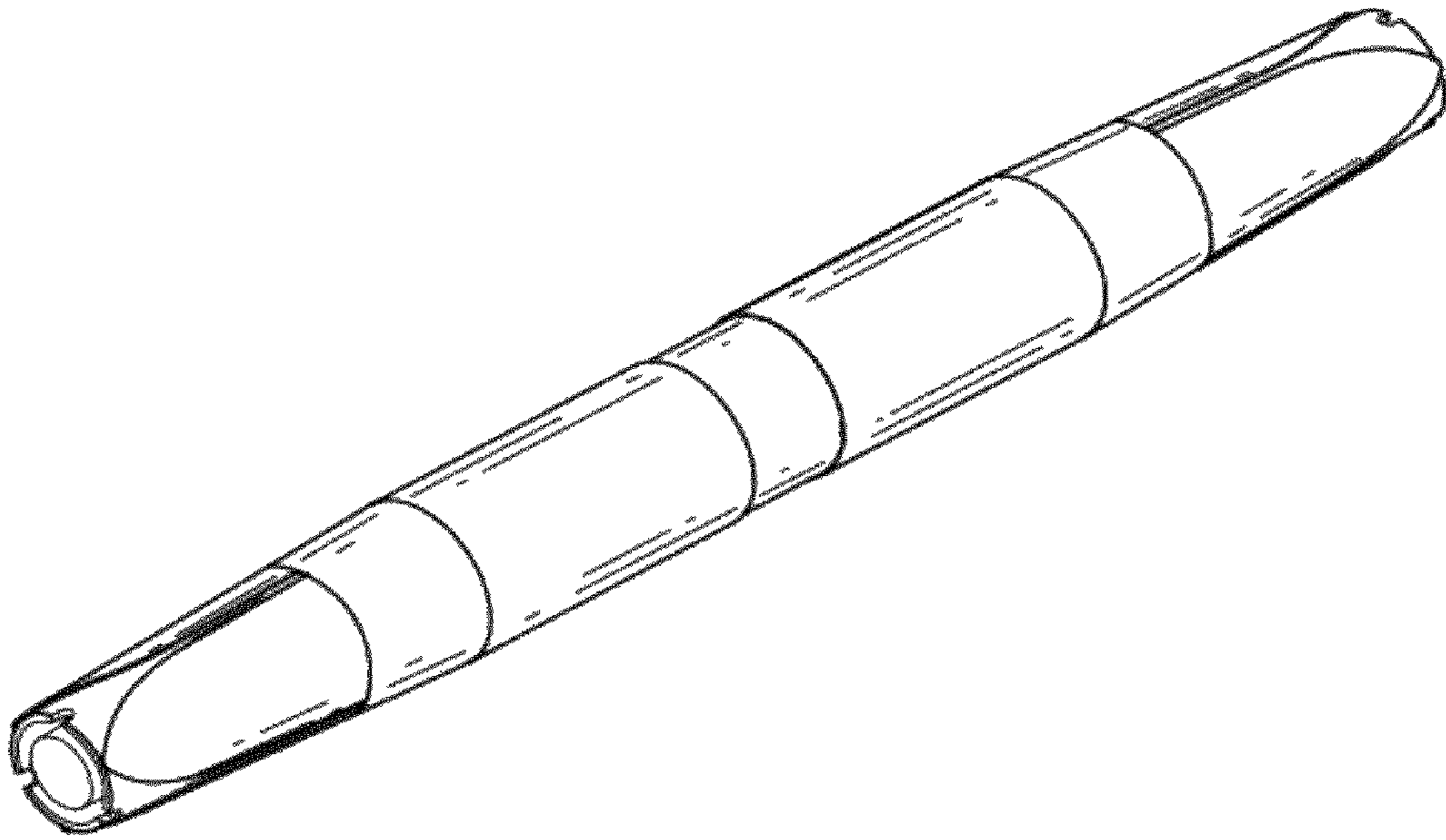


FIG. 1

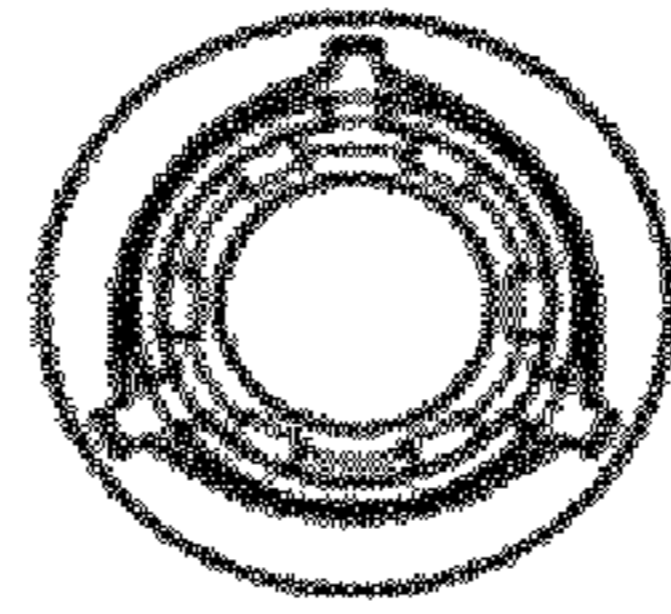


FIG. 2

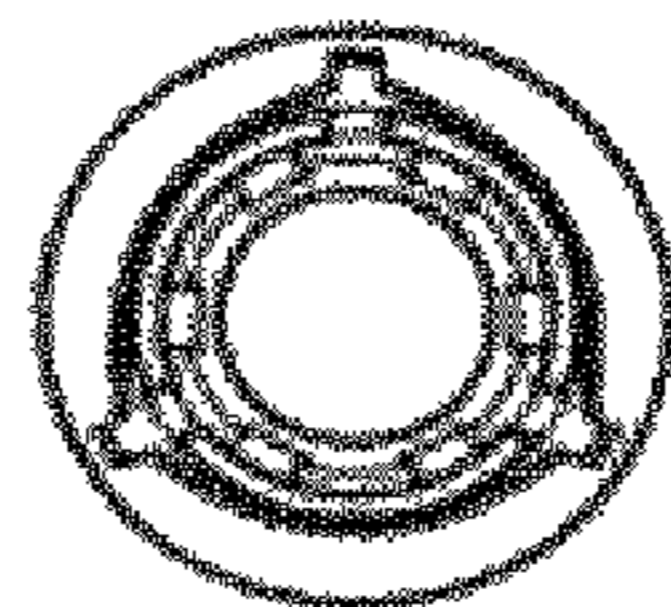


FIG. 3

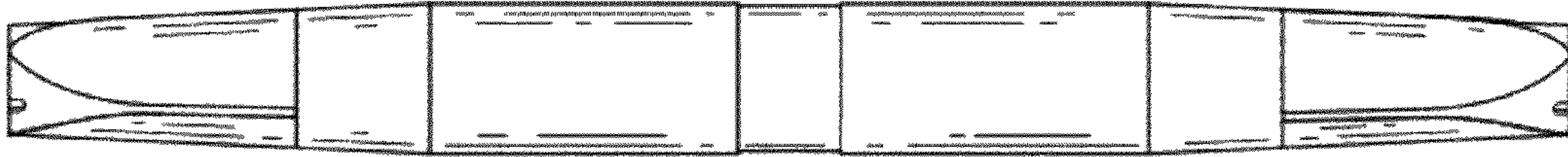


FIG. 4

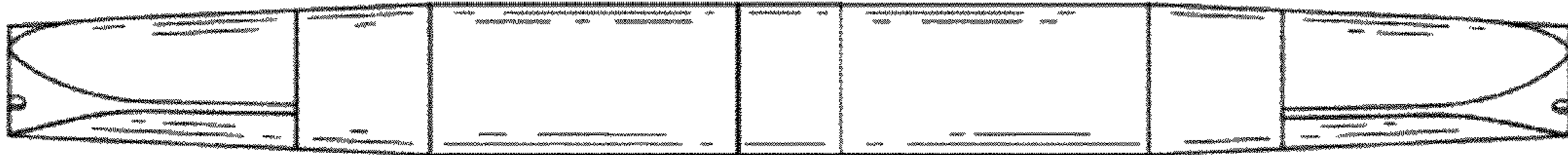


FIG. 5

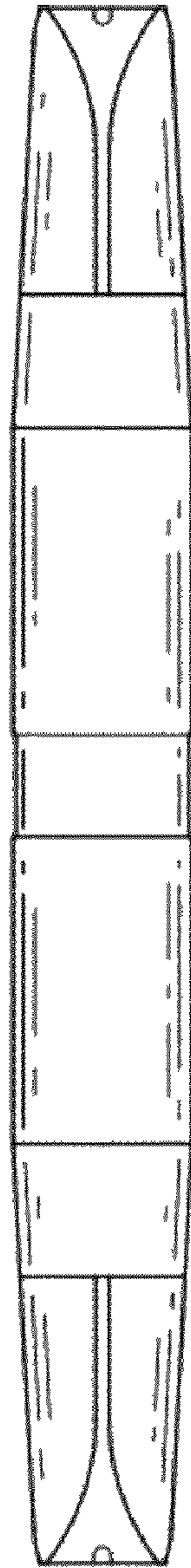


FIG. 6

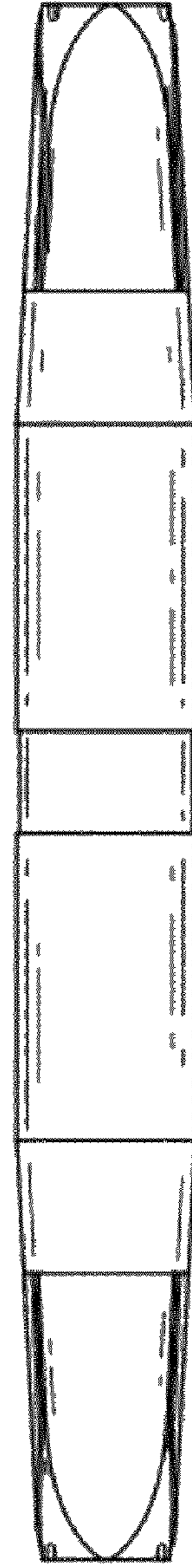


FIG. 7