



US00D658331S

(12) **United States Design Patent**  
**Yoon**

(10) **Patent No.:** **US D658,331 S**  
(45) **Date of Patent:** **\*\* Apr. 24, 2012**

(54) **ATTACHMENT FOR HAIR CLIPPER**

(56) **References Cited**

(75) Inventor: **Ki-Hyun Yoon**, Utrecht (NL)

U.S. PATENT DOCUMENTS

(73) Assignee: **Koninklijke Philips Electronics N.V.**,  
Eindhoven (NL)

D545,000	S	*	6/2007	Marquez	.....	D28/53
D565,793	S	*	4/2008	Wallace	.....	D28/54
D574,557	S	*	8/2008	Kling et al.	.....	D28/54
D620,196	S	*	7/2010	Nicoll et al.	.....	D28/47
D628,745	S	*	12/2010	Dingelstad	.....	D28/53
2008/0295340	A1	*	12/2008	Carlucci et al.	.....	30/289
2008/0301948	A1	*	12/2008	Kostner et al.	.....	30/42

(\*\*) Term: **14 Years**

\* cited by examiner

(21) Appl. No.: **29/382,445**

*Primary Examiner* — Jennifer Rivard

(22) Filed: **Jan. 4, 2011**

(57) **CLAIM**

(30) **Foreign Application Priority Data**

The ornamental design for an attachment for hair clipper, as shown.

Jul. 7, 2010 (EM) ..... 001729005-0003

**DESCRIPTION**

(51) **LOC (9) Cl.** ..... **28-03**

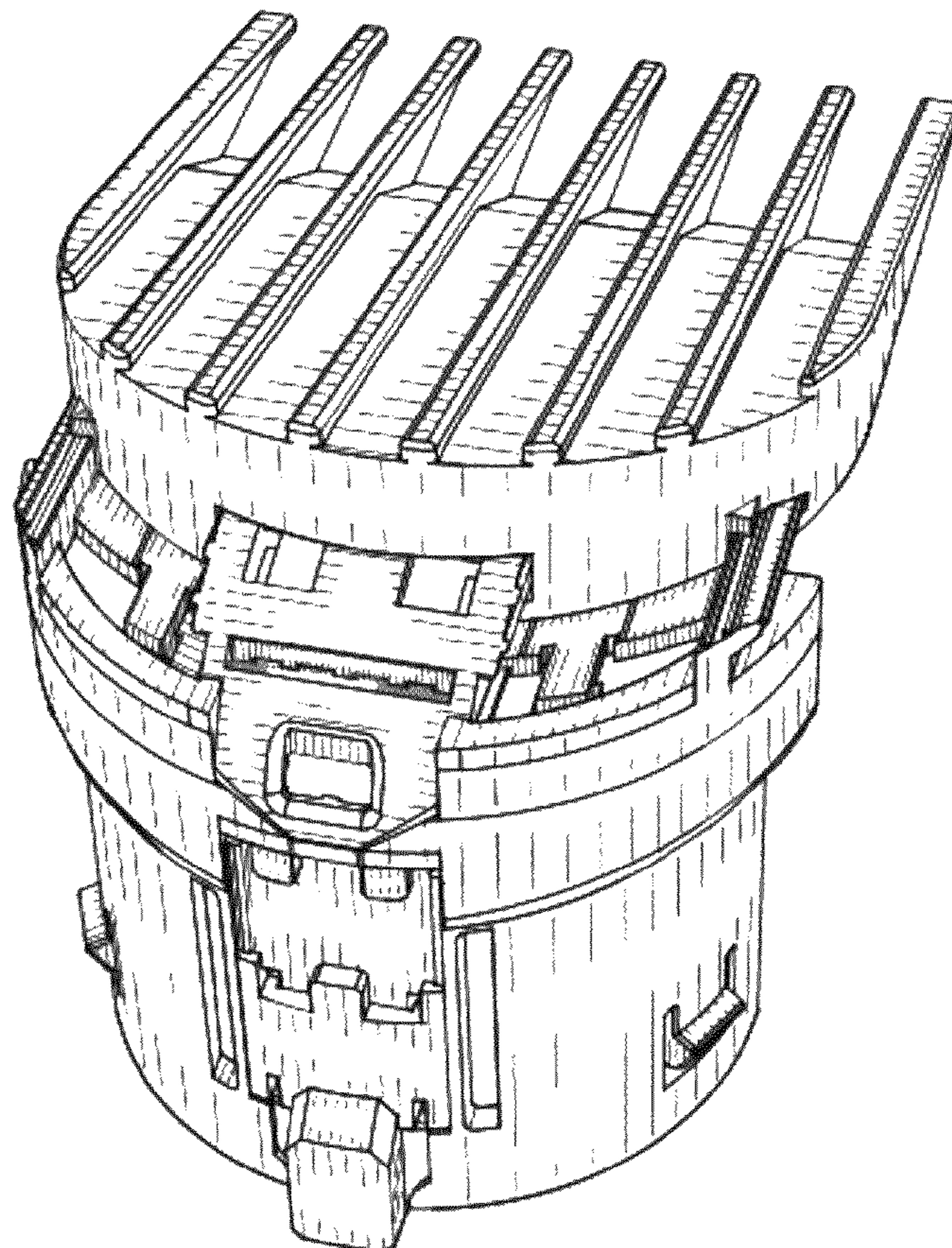
FIG. 1 is a perspective view showing my design;  
FIG. 2 is a front elevational view thereof;  
FIG. 3 is a rear elevational view thereof;  
FIG. 4 is a right side elevational view thereof;  
FIG. 5 is a left side elevational view thereof;  
FIG. 6 is a top plan view thereof;  
FIG. 7 is a bottom plan view thereof; and,  
FIG. 8 is a bottom perspective view thereof.

(52) **U.S. Cl.** ..... **D28/54**

(58) **Field of Classification Search** ..... 30/32, 34.05,  
30/34.1-34.2, 30-31, 43-43.92, 44-45, 47-51,  
30/77-84, 526-541, 346.5-346.61, 194-196,  
30/198-205, 208-216, 233-233.5; D28/44-44.1,  
D28/45-54

See application file for complete search history.

**1 Claim, 5 Drawing Sheets**



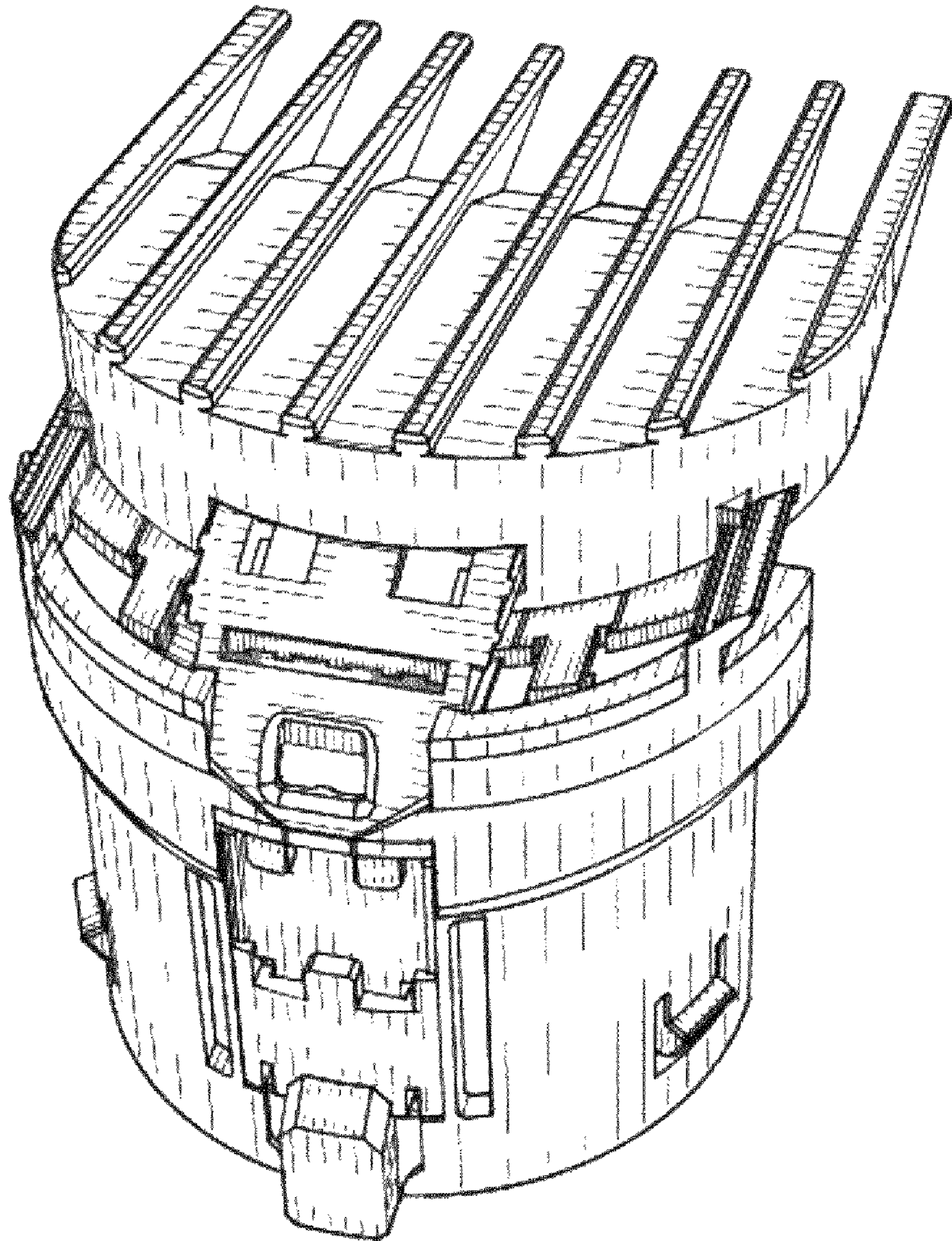


FIG. 1

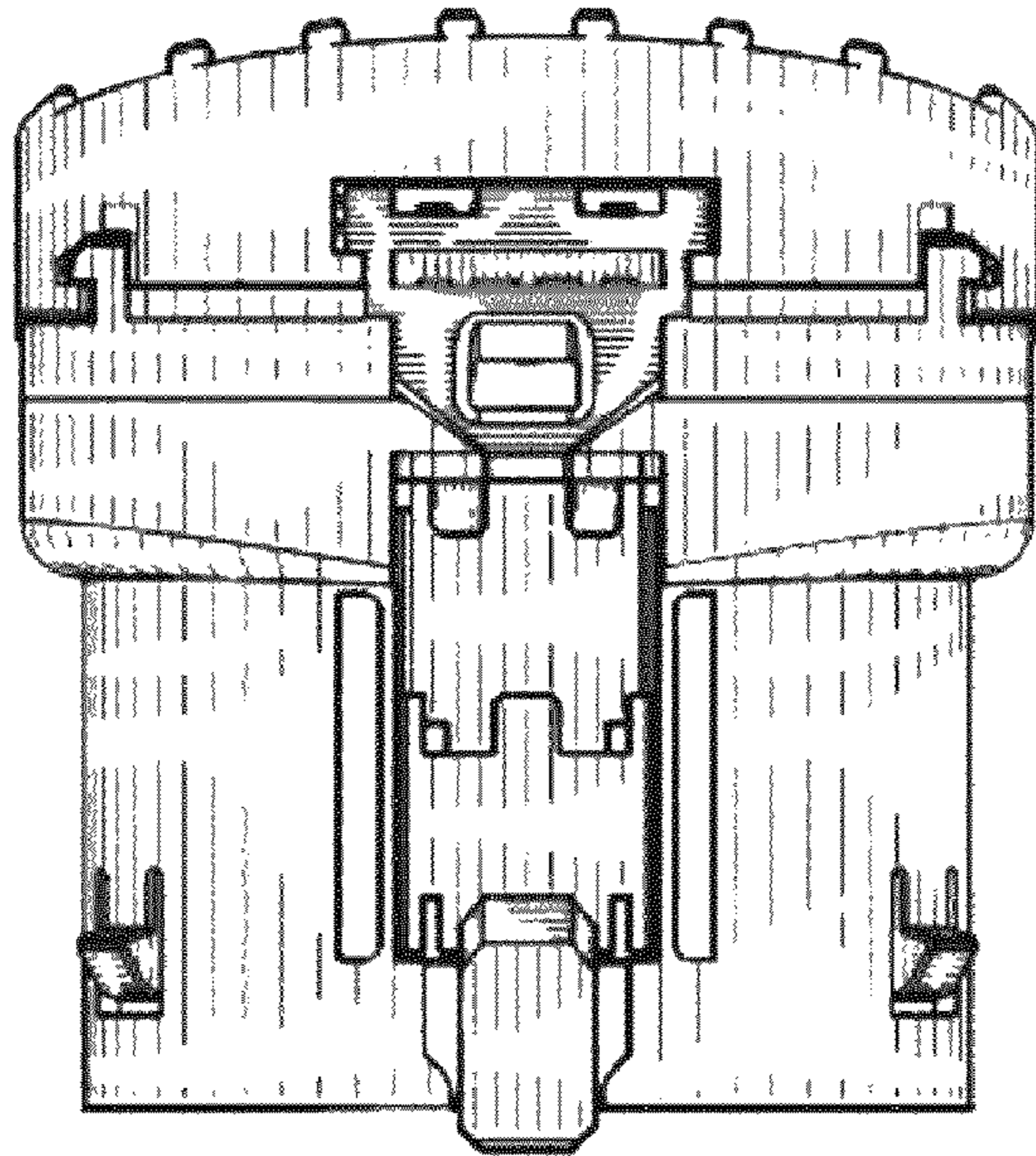


FIG. 2

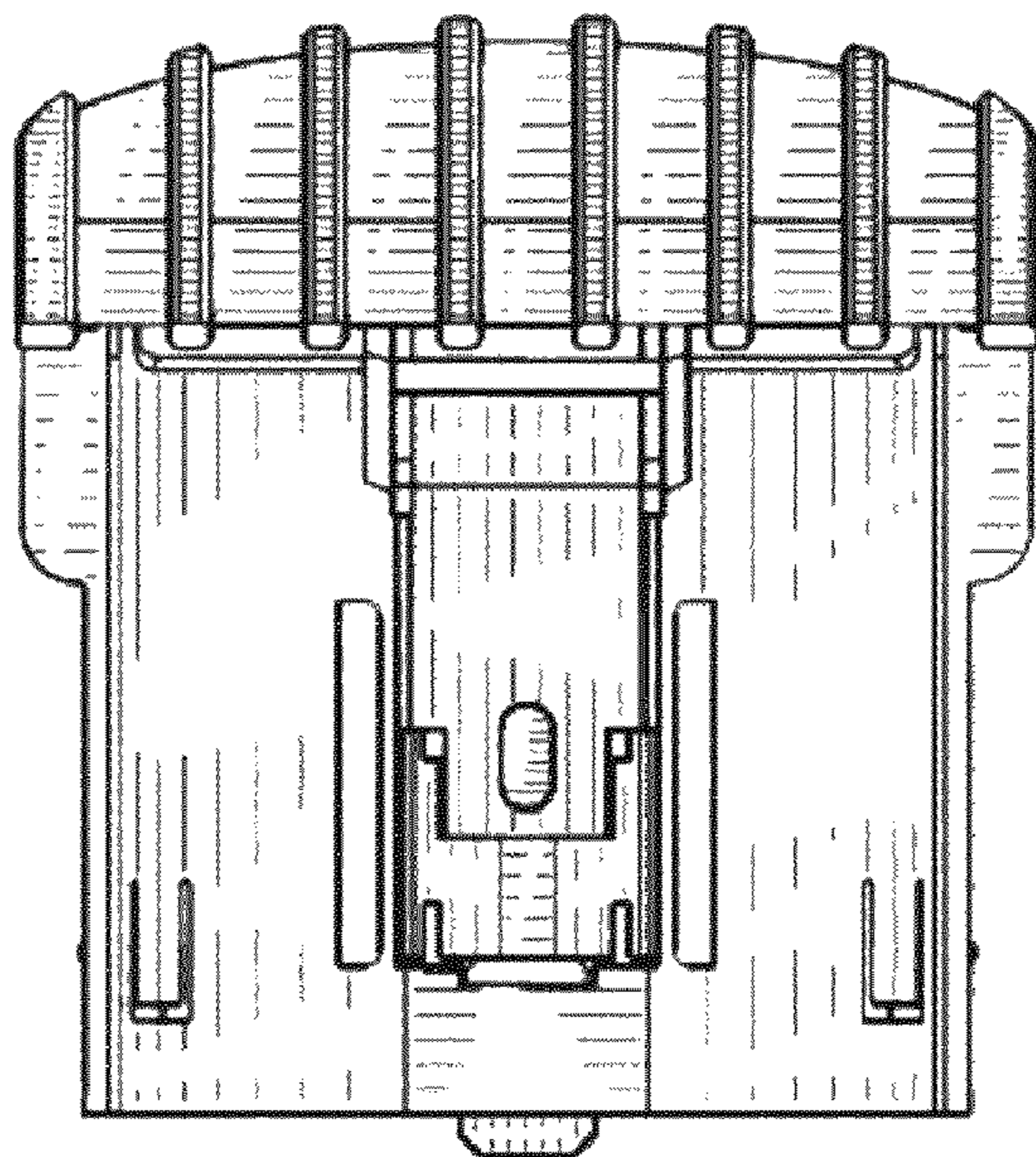


FIG. 3

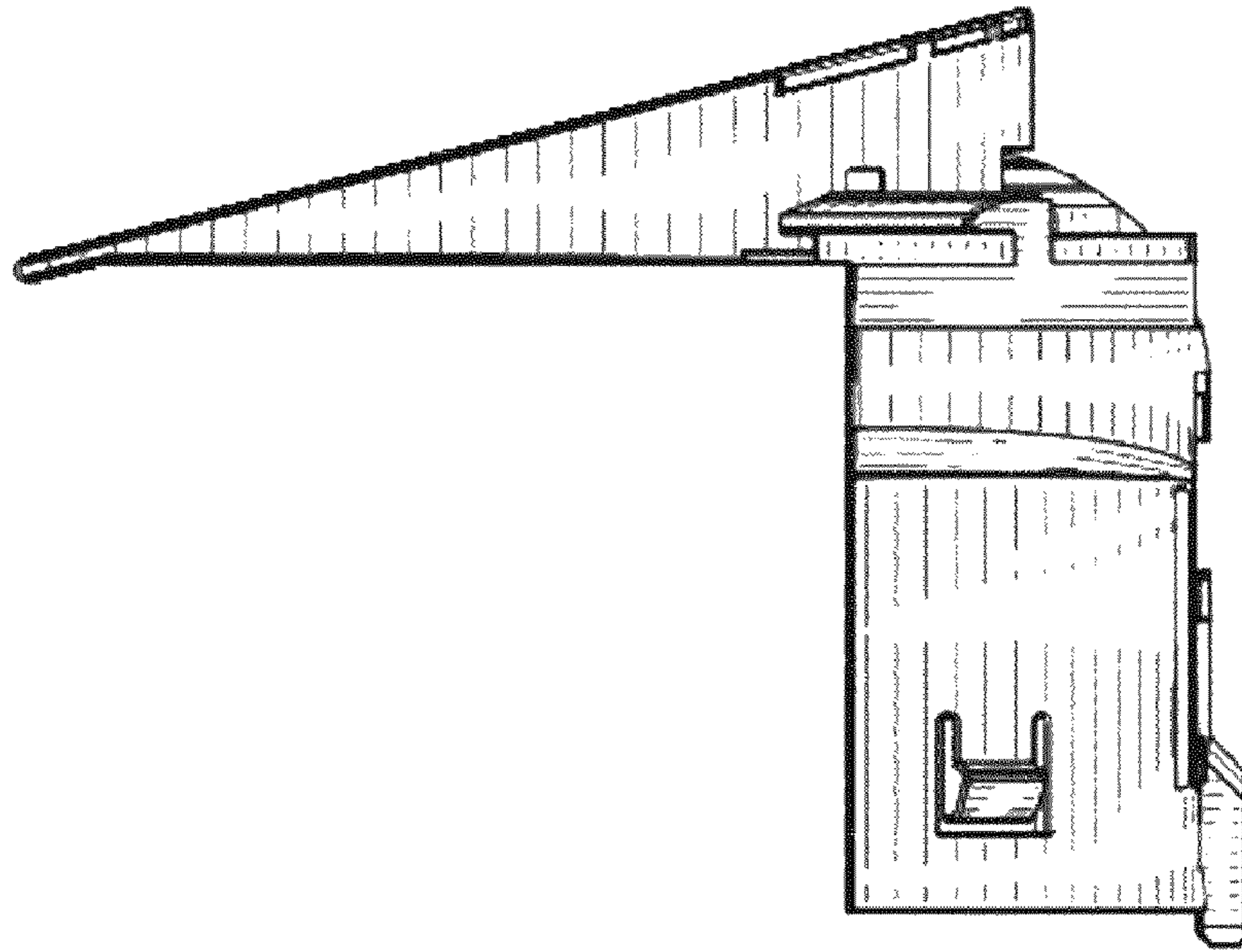


FIG. 4

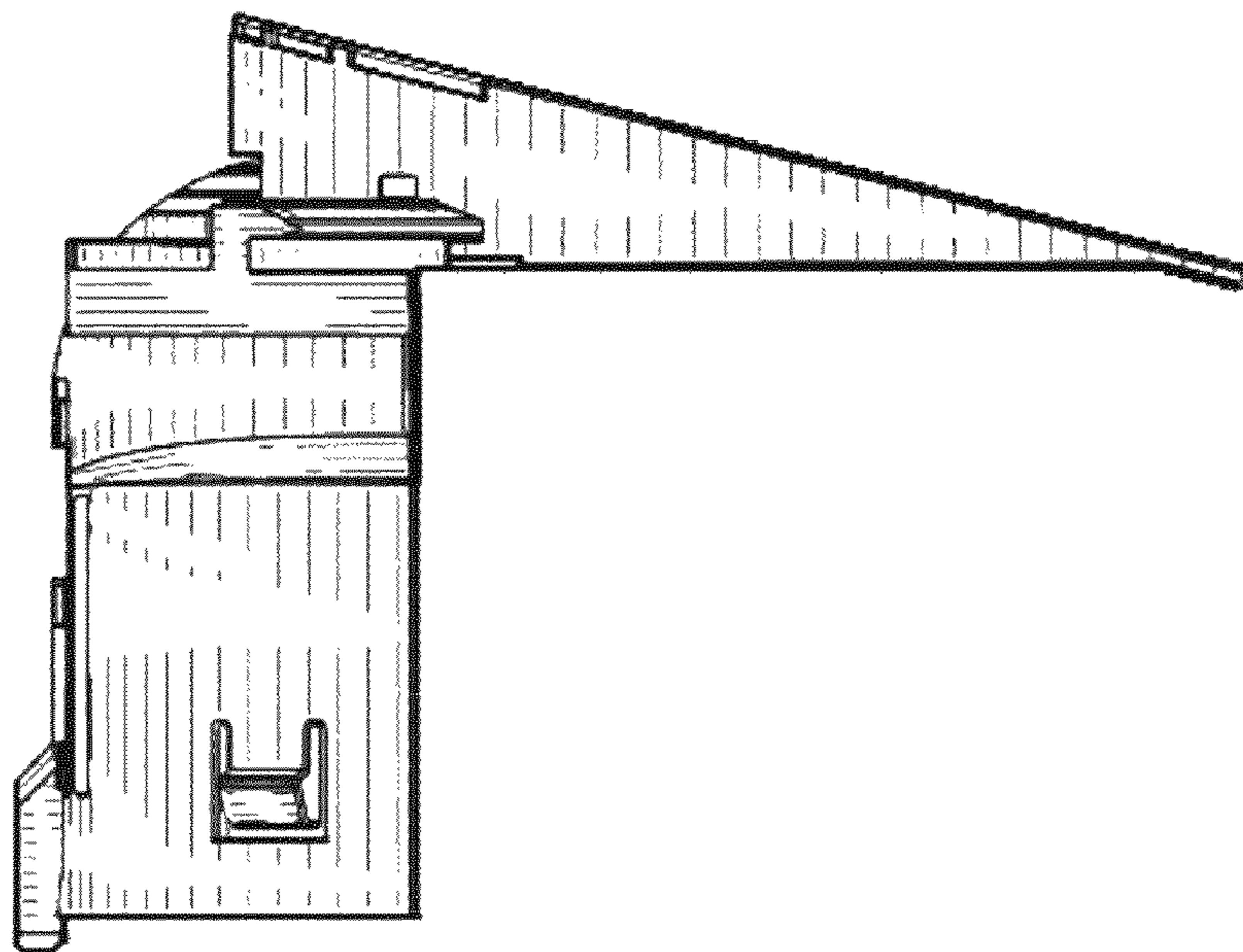


FIG. 5

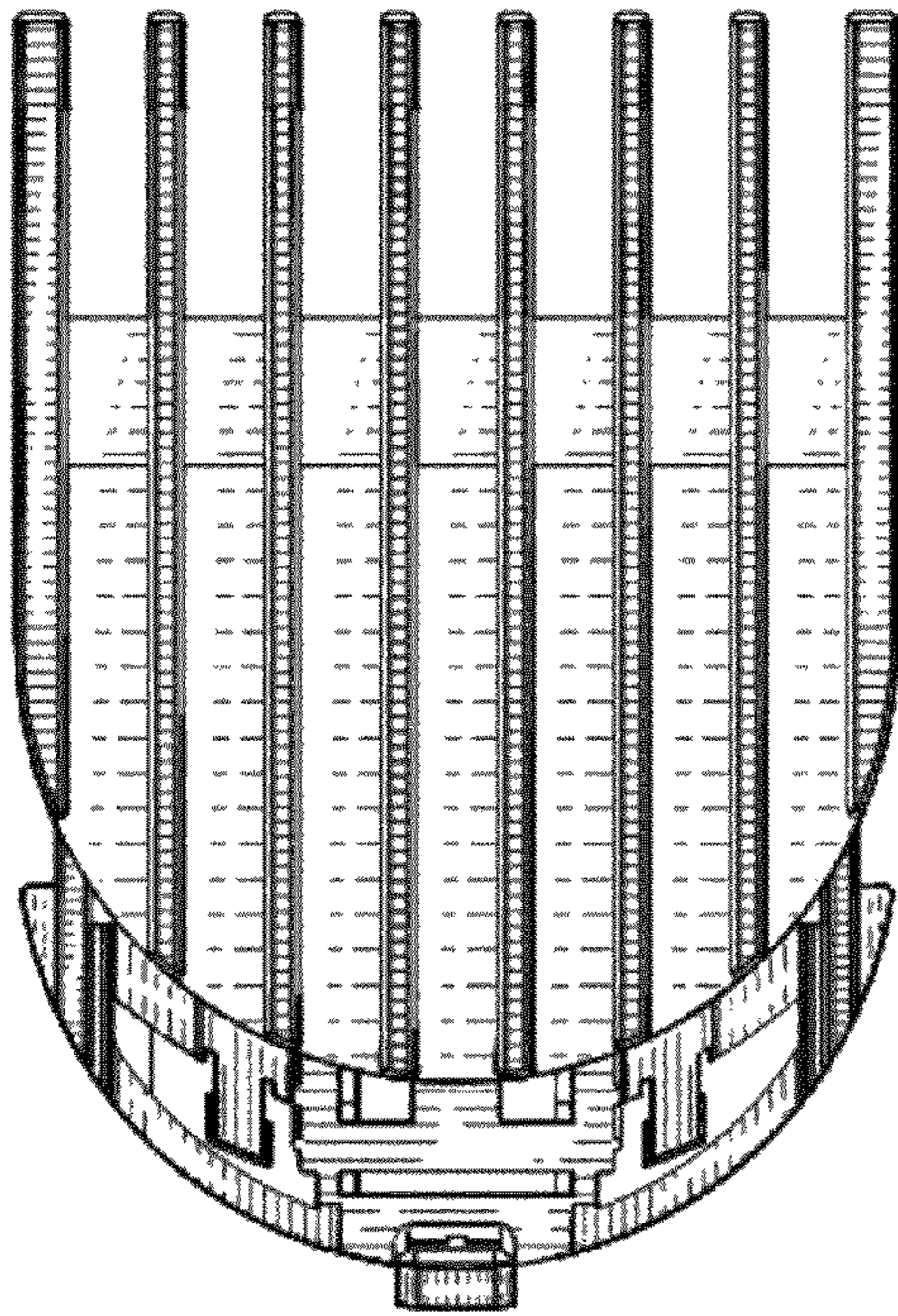


FIG. 6

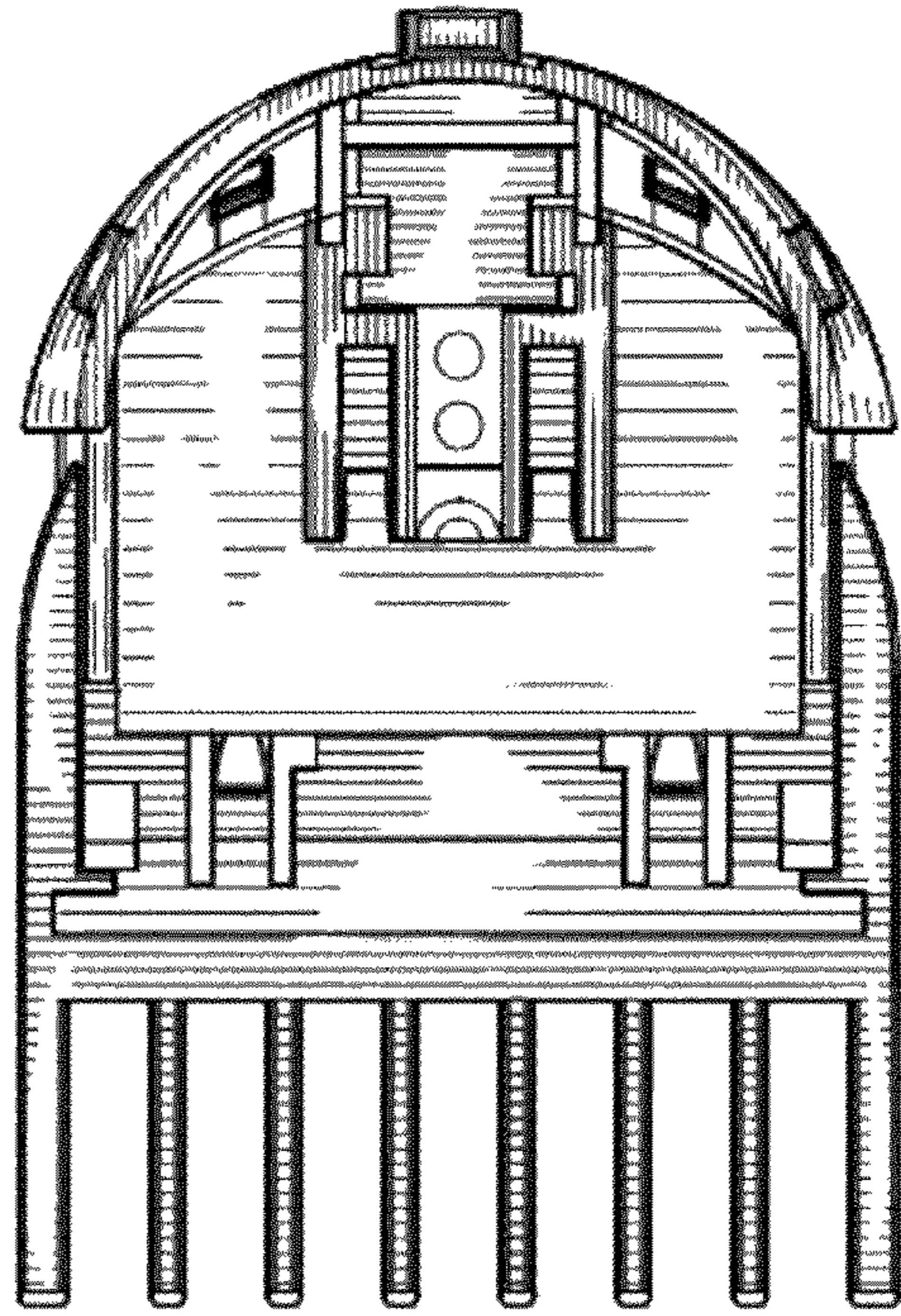


FIG. 7

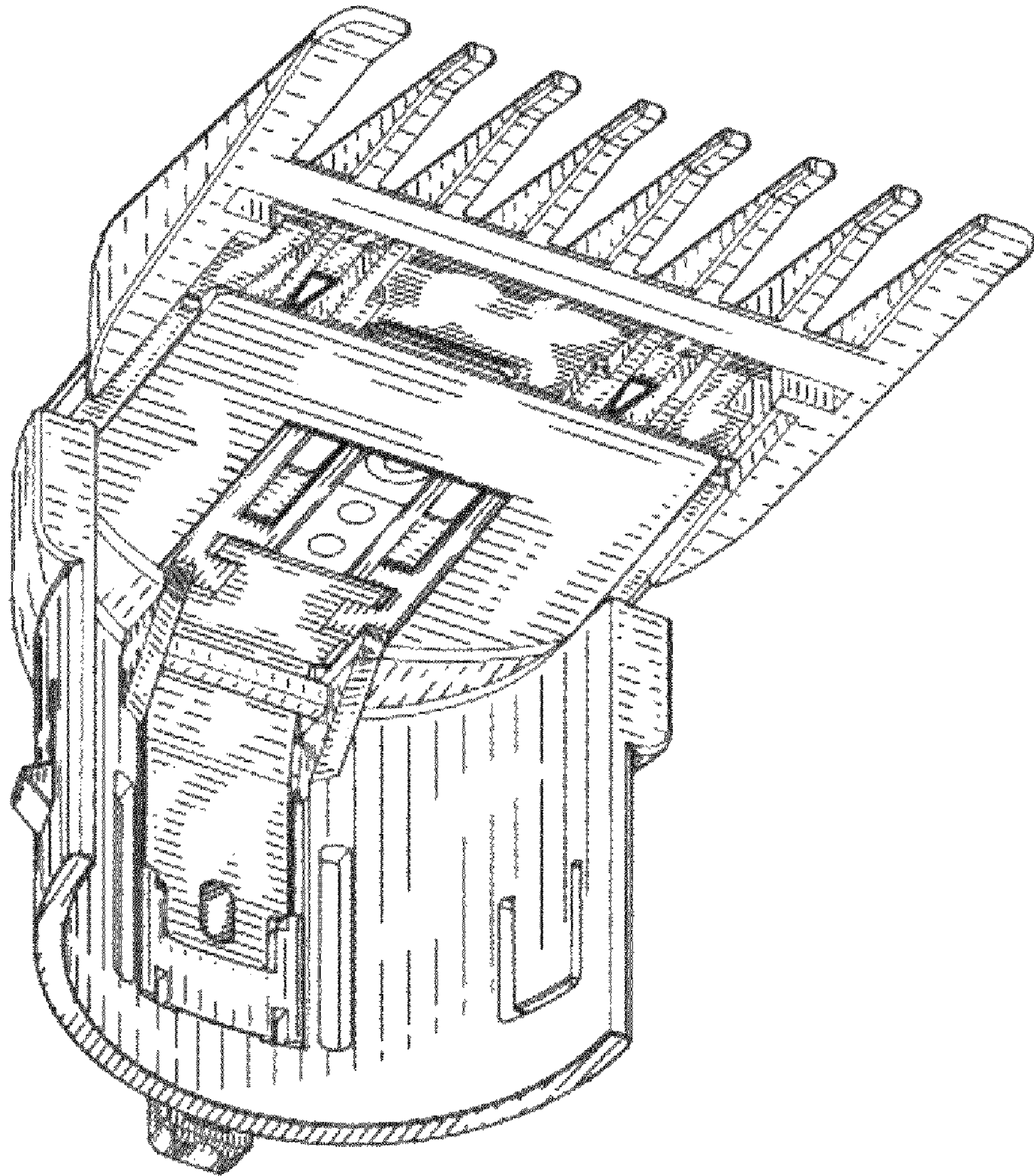


FIG.8