



US00D658330S

(12) **United States Design Patent**
Yue

(10) **Patent No.:** **US D658,330 S**
(45) **Date of Patent:** **** Apr. 24, 2012**

- (54) **HAIR IRON APPLIANCE**
- (75) Inventor: **Brenda P. K. Yue**, Kowloon (HK)
- (73) Assignee: **Conair Corporation**, Stamford, CT (US)
- (**) Term: **14 Years**
- (21) Appl. No.: **29/398,412**
- (22) Filed: **Jul. 29, 2011**
- (51) **LOC (9) Cl.** **28-03**
- (52) **U.S. Cl.** **D28/35**
- (58) **Field of Classification Search** D28/35;
219/222, 225-226; 132/223-272
See application file for complete search history.

- 6,354,305 B1 3/2002 Janouch et al.
- 6,386,206 B2 5/2002 Lee
- D460,215 S 7/2002 Hirata
- D480,175 S 9/2003 Kim
- D480,176 S 9/2003 Ouellette
- 6,615,847 B1 9/2003 Hagelstam
- 6,627,852 B1 9/2003 Savone
- D482,491 S 11/2003 Maesawa et al.
- 6,667,462 B2 12/2003 Lo
- D485,011 S 1/2004 Nam
- D489,483 S 5/2004 Cho
- D489,484 S 5/2004 Cheung
- D493,916 S 8/2004 Ceva
- D504,541 S * 4/2005 Cho D28/35
- D537,202 S * 2/2007 Shin D28/35
- D541,472 S * 4/2007 Kuchler et al. D28/35

(Continued)

Primary Examiner — Jennifer Rivard

(56) **References Cited**

U.S. PATENT DOCUMENTS

- 38,010 A 3/1863 Adams
- 1,455,696 A 5/1923 Wright
- 1,472,561 A 10/1923 Haberkamp
- 1,591,207 A 7/1926 Berthelsen
- D253,973 S 1/1980 Rosse
- 4,242,567 A 12/1980 Carter
- 4,739,151 A 4/1988 Smal
- 4,870,250 A 9/1989 Rizzuto et al.
- 4,917,078 A 4/1990 Zaborowski
- 5,025,850 A 6/1991 Simpson
- 5,783,800 A 7/1998 Thompson et al.
- D411,333 S 6/1999 Smal
- D413,410 S * 8/1999 Winn et al. D28/35
- 5,934,293 A 8/1999 Kaizuka
- 6,053,178 A 4/2000 Todd
- D424,742 S 5/2000 Hirata
- 6,119,702 A 9/2000 Habibi
- D433,185 S 10/2000 Hirata
- 6,173,718 B1 1/2001 Okumoto et al.
- 6,191,387 B1 2/2001 Smal
- D440,710 S 4/2001 Kaizuka
- 6,223,753 B1 5/2001 Lo

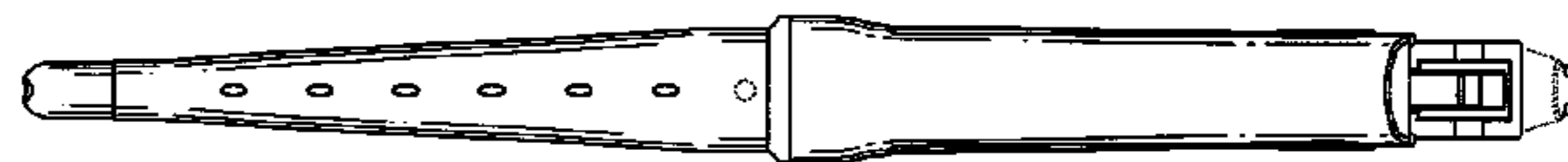
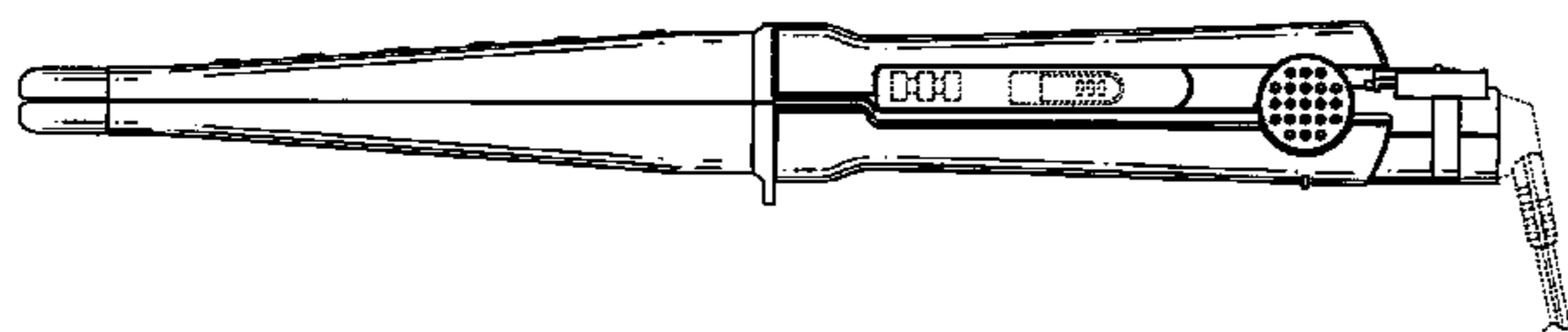
(57) **CLAIM**

The ornamental design for the hair iron appliance, as shown and described.

DESCRIPTION

FIG. 1 is a first side elevation view of the hair iron appliance in accordance with the principles of the present disclosure; FIG. 2 is a bottom plan view of the hair iron appliance; FIG. 3 is a top plan view of the hair iron appliance; FIG. 4 is an elevated view illustrating the front end of the hair iron appliance; FIG. 5 is an elevated view illustrating the rear end of the hair iron appliance; FIG. 6 is a second side elevation view of the hair iron appliance; and, FIG. 7 is a view similar to the view of FIG. 6 illustrating an open condition of the hair iron appliance. The broken lines are for illustrative purposes only and form no part of the claimed design.

1 Claim, 3 Drawing Sheets



US D658,330 S

Page 2

U.S. PATENT DOCUMENTS			
D559,447 S	1/2008	Leung	
D559,448 S	1/2008	Leung	
D561,936 S	2/2008	Leung	
D567,999 S	4/2008	Leung	
D569,549 S	5/2008	Leung	
D569,550 S	5/2008	Leung	
D570,043 S	5/2008	Leung	
D570,044 S	5/2008	Leung	
D570,045 S	5/2008	Julemont	
D570,542 S	6/2008	Leung	
7,490,615 B2	2/2009	Rizzuto	
D609,402 S *	2/2010	Cheung	D28/35
D619,760 S *	7/2010	Cheung	D28/35
D627,512 S *	11/2010	Kim	D28/35
	2001/0022184 A1	9/2001	Lee
	2002/0036000 A1	3/2002	Hirata et al.
	2002/0092196 A1	7/2002	Tobin et al.
	2002/0190047 A1	12/2002	Nam
	2003/0071027 A1	4/2003	Lo
	2004/0000319 A1	1/2004	Carballada et al.
	2004/0003824 A1	1/2004	Habibi
	2004/0045570 A1	3/2004	Yao
	2004/0124188 A1	7/2004	Altamore
	2004/0163661 A1	8/2004	Carlucci
	2005/0051188 A1	3/2005	Leung
	2010/0180908 A1	7/2010	Leung
	2011/0259356 A1 *	10/2011	Barton et al. 132/227

* cited by examiner

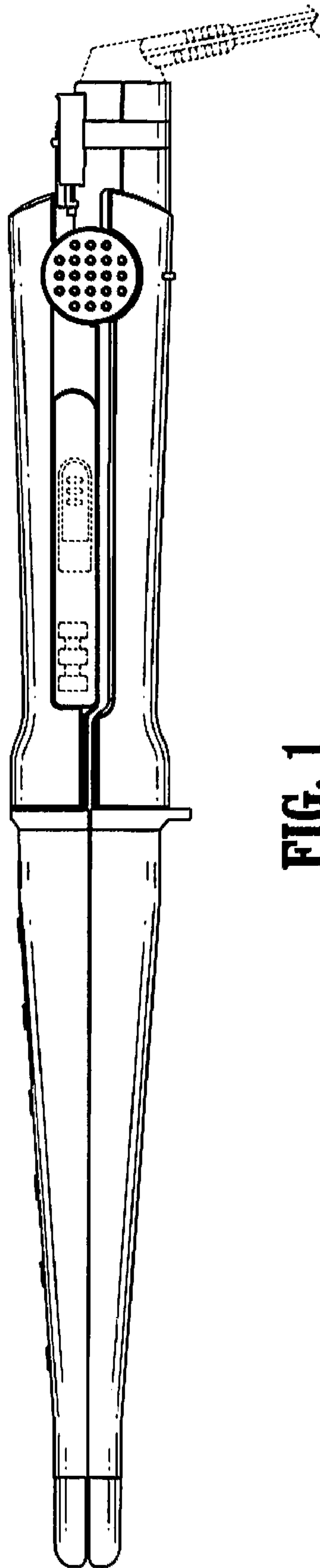


FIG. 1

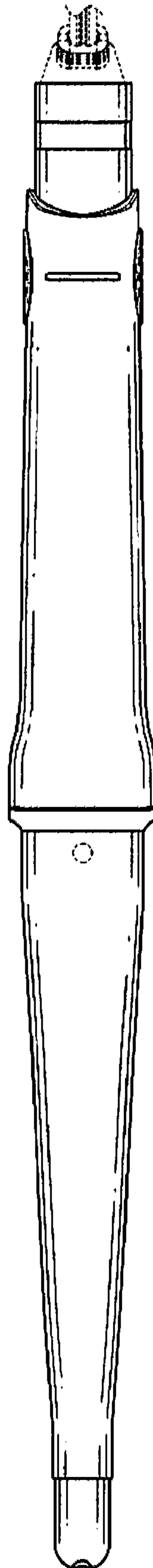


FIG. 2

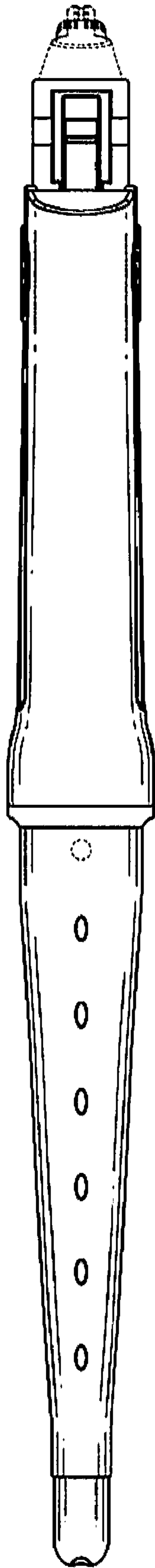


FIG. 3

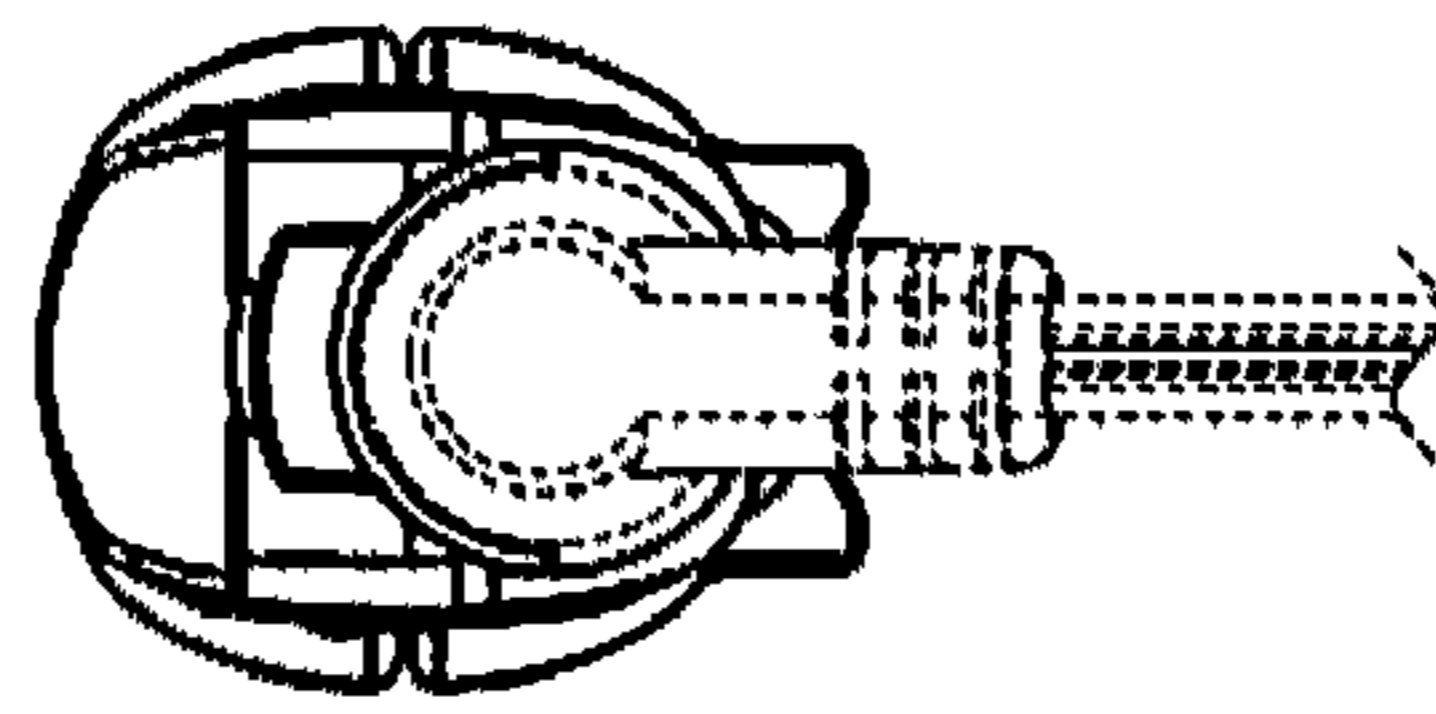


FIG. 5

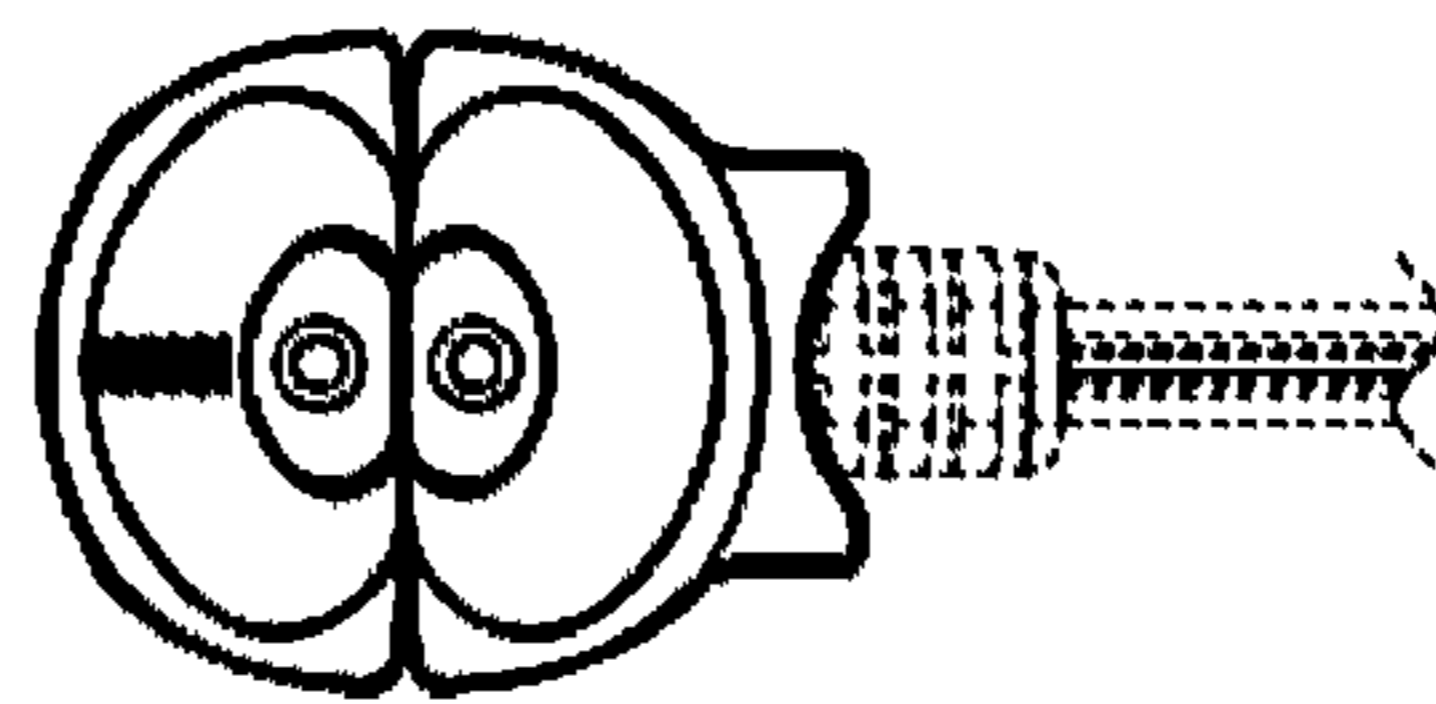


FIG. 4

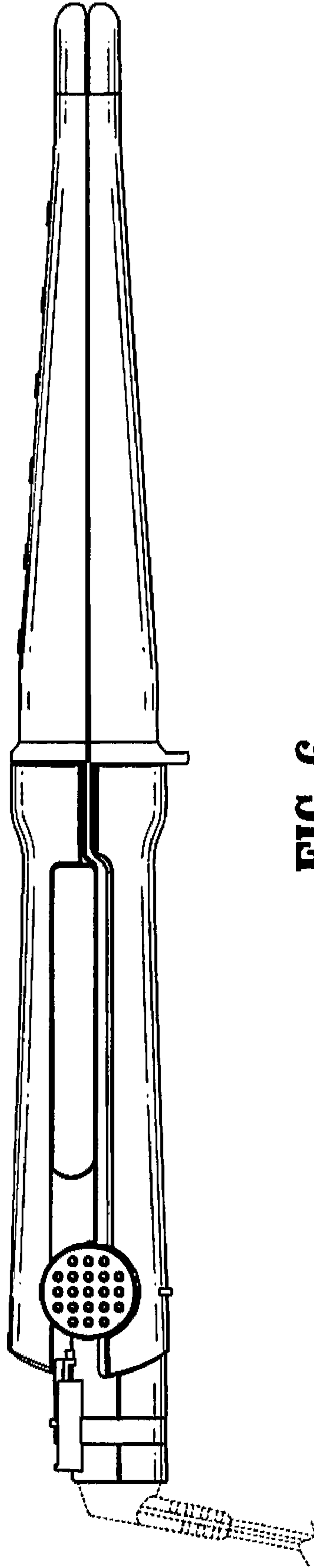


FIG. 6

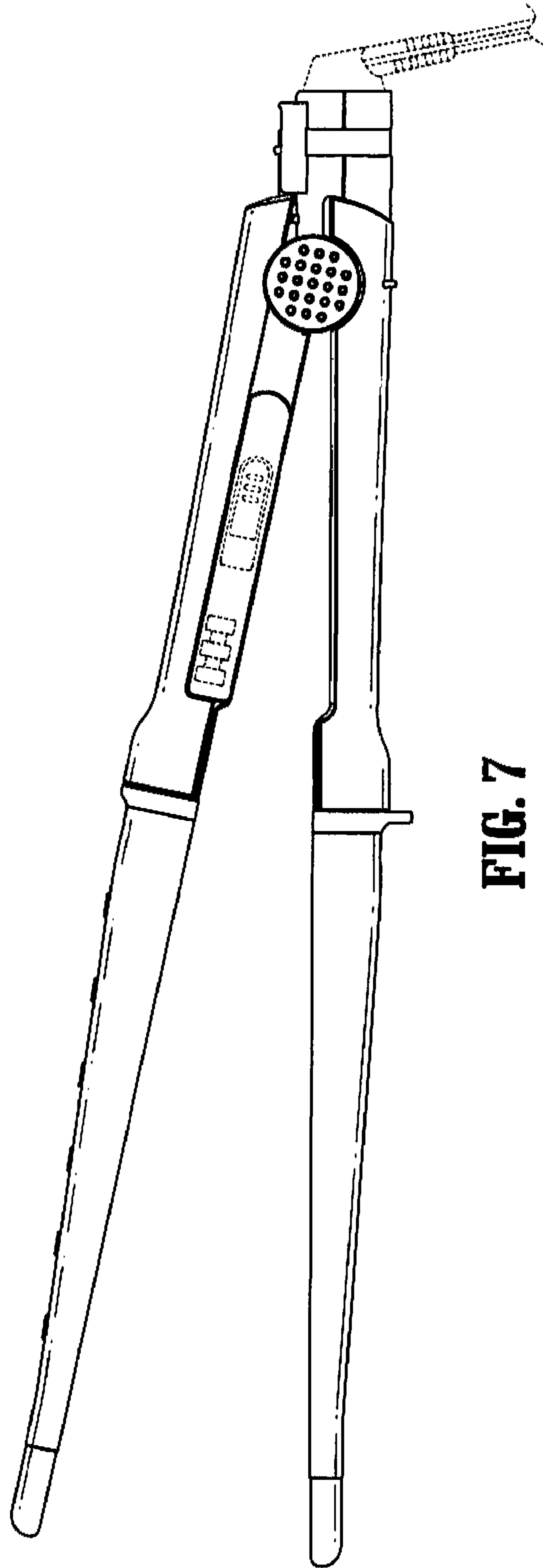


FIG. 7