



US00D658329S

(12) **United States Design Patent**
Katz

(10) **Patent No.:** **US D658,329 S**

(45) **Date of Patent:** **** Apr. 24, 2012**

(54) **CIGAR ACCESSORIES HOLDER AND ASHTRAY**

(76) Inventor: **Jason Katz**, Davis, CA (US)

(**) Term: **14 Years**

(21) Appl. No.: **29/396,219**

(22) Filed: **Jun. 27, 2011**

(51) **LOC (9) Cl.** **27-03**

(52) **U.S. Cl.** **D27/125**

(58) **Field of Classification Search** D27/101,
D27/194, 163, 102, 103, 104, 105, 118, 133,
D27/135, 126, 123, 124, 136, 125, 183, 188,
D27/162, 164, 186, 189, 144, 175, 134, 115,
D27/139, 154, 157, 141, 147, 153, 158, 155,
D27/156, 143, 195, 173, 161, 152; 131/180,
131/330, 201, 231, 241, 242, 256, 173, 185,
131/196, 199; 431/129-153, 253-257, 273-277;
D12/199; 229/146; 206/268, 246, 85, 86,
206/105, 106, 108, 137; D3/294, 304, 313,
D3/320, 328; D34/1, 6, 7, 8; D11/143, 144,
D11/145, 146, 154, 153, 149; D9/500, 505,
D9/545, 522, 523, 542, 415, 548, 503; D7/300,
D7/316, 523, 400, 416; D6/515, 553, 567
See application file for complete search history.

(56) **References Cited**

U.S. PATENT DOCUMENTS

1,830,543	A *	11/1931	Heise	248/289.11
2,172,161	A *	9/1939	Du Prey	131/240.1
2,991,789	A *	7/1961	Smith et al.	131/257
3,283,938	A *	11/1966	Vidal	220/501
3,777,767	A *	12/1973	Wunsch	131/257
D244,302	S *	5/1977	Bradley	D27/104
4,142,537	A *	3/1979	Fenelon	131/242.6
4,187,864	A *	2/1980	Taddeo	131/242

D258,468	S *	3/1981	Whitlock	D27/104
D381,115	S *	7/1997	Dicicco	D27/125
D399,025	S *	9/1998	Whitlock	D27/134
D403,804	S *	1/1999	Silkaitis	D27/126
D414,293	S *	9/1999	Lee	D27/135
D455,225	S *	4/2002	Whitlock	D27/133
D468,857	S *	1/2003	Foote	D27/104
6,606,996	B1 *	8/2003	Thornell et al.	131/241
D493,011	S *	7/2004	Foote	D27/104
D496,753	S *	9/2004	Thornell et al.	D27/105
6,843,255	B2 *	1/2005	Thornell et al.	131/241
7,000,617	B2 *	2/2006	Cervantes et al.	131/187
D550,420	S *	9/2007	McCurry	D34/7
7,661,431	B1 *	2/2010	Barrios	131/241

* cited by examiner

Primary Examiner — Kevin Rudzinski

(74) *Attorney, Agent, or Firm* — QuickPatents, Inc.; Kevin Prince

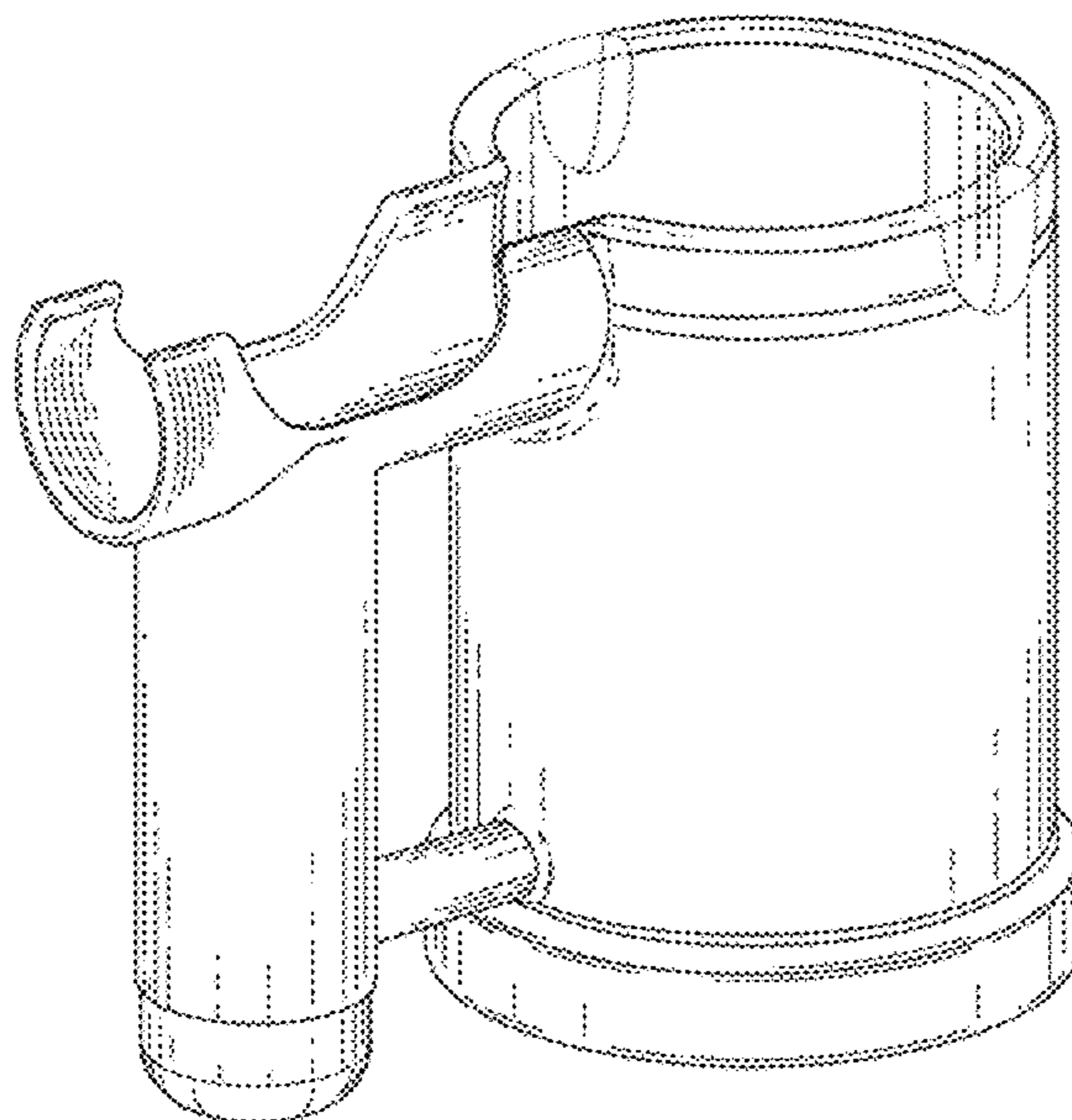
(57) **CLAIM**

I claim the ornamental design for a cigar accessories holder and ashtray, as shown and described.

DESCRIPTION

FIG. 1 is a perspective view of a cigar accessories holder and ashtray, showing my new design;
FIG. 2 is a front elevational view thereof;
FIG. 3 is a rear elevational view thereof;
FIG. 4 is a left-side elevational view thereof, the right-side elevational view being a mirror image thereof;
FIG. 5 is a top plan view thereof; and,
FIG. 6 is a bottom plan view thereof.
The broken lines in FIGS. 1-6 depict environmental matter and form no part of the claimed design. The dash-dot-dash lines shown in FIGS. 5 and 6 indicate the bounds of the claimed design and form no part of the claimed design.

1 Claim, 4 Drawing Sheets



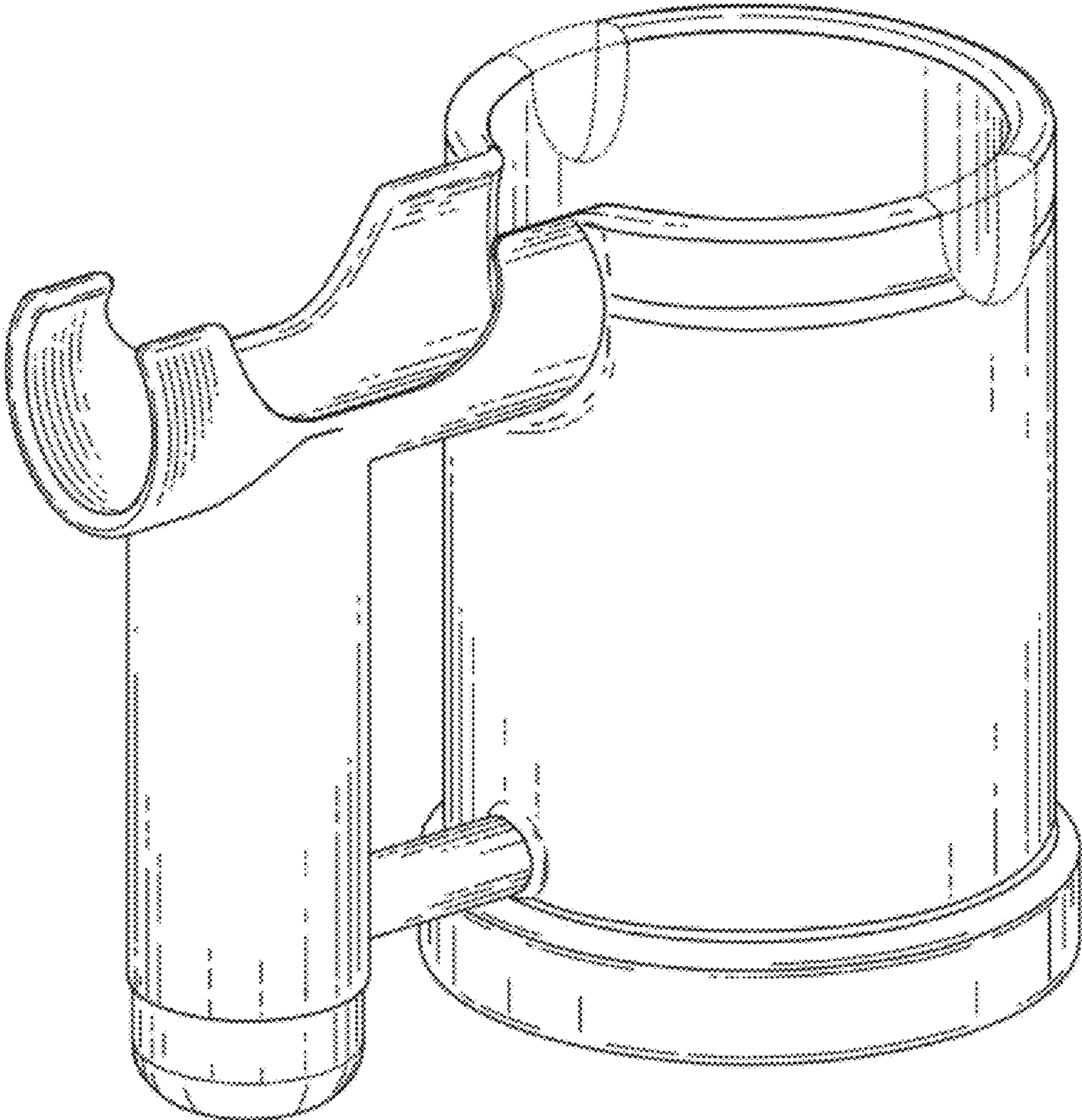


FIG. 1

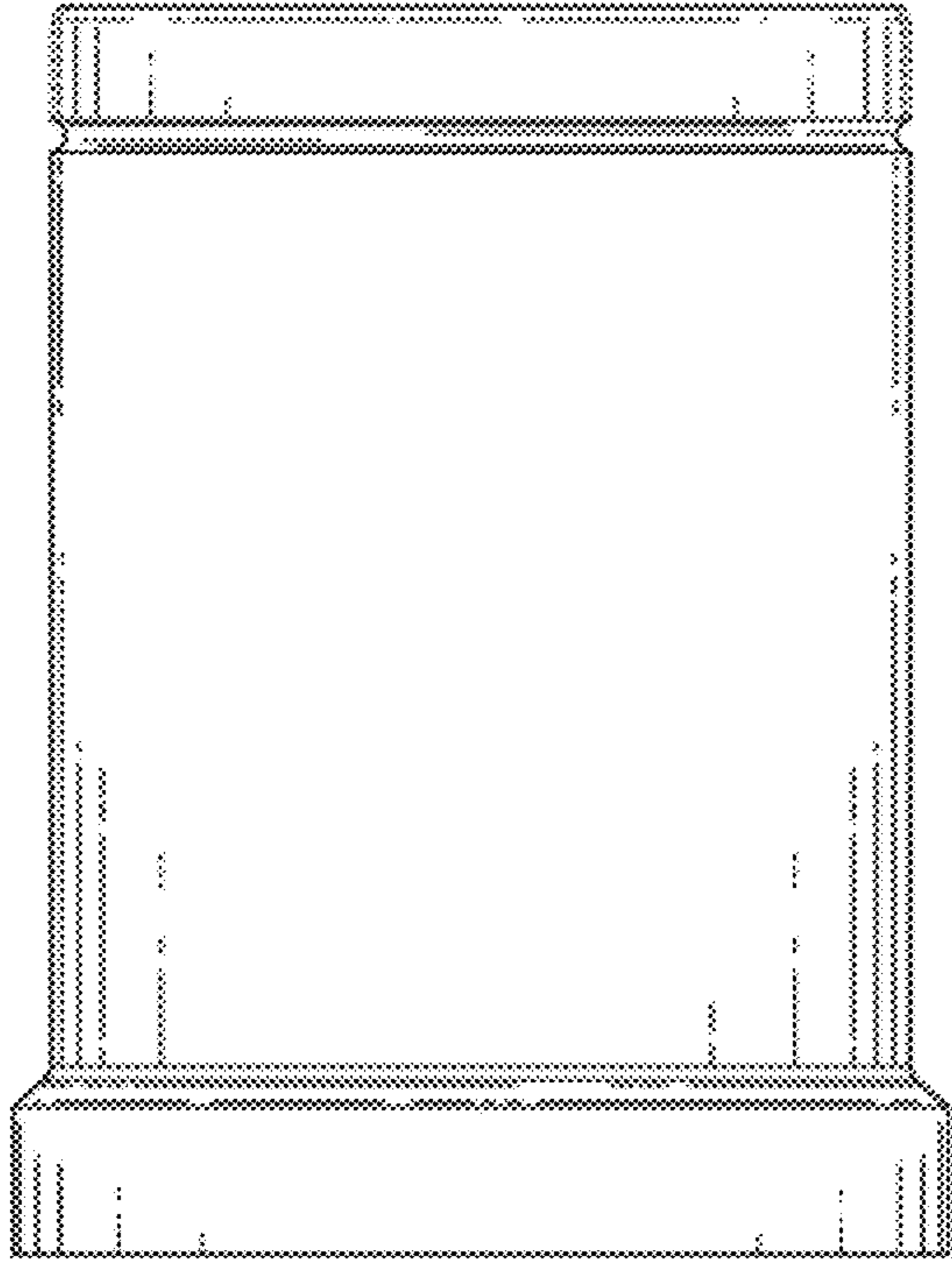


FIG. 2

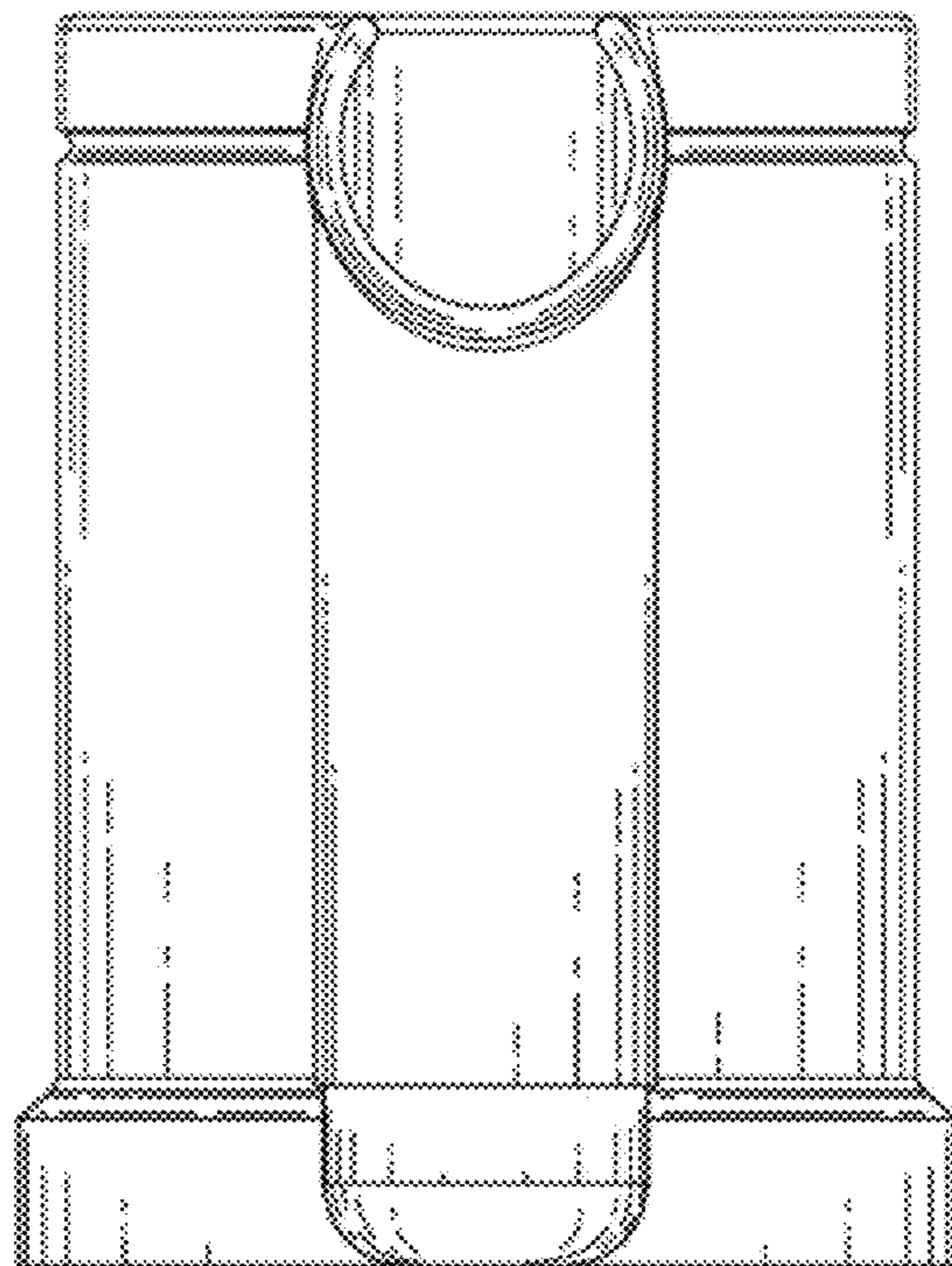


FIG. 3

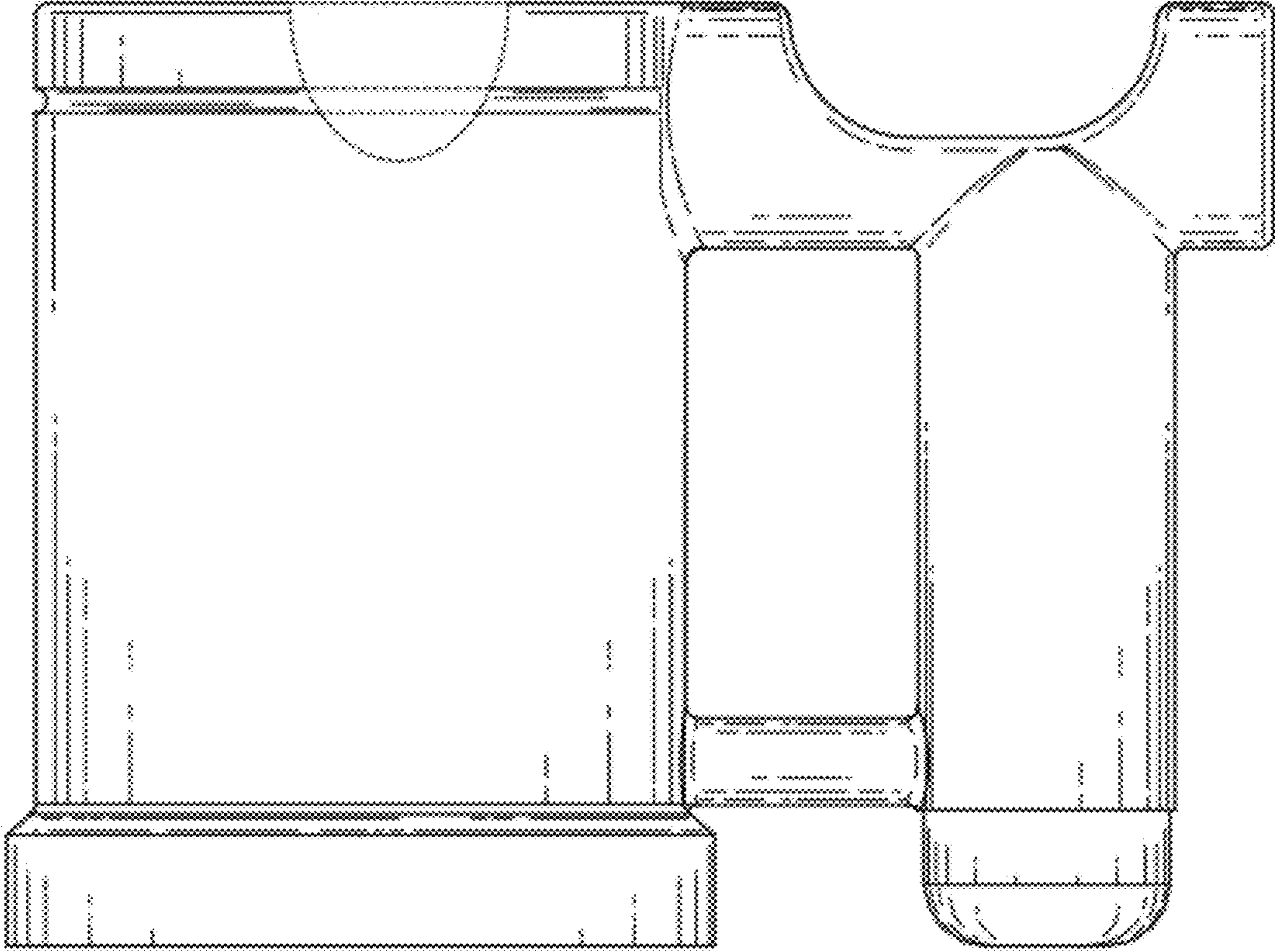


FIG. 4

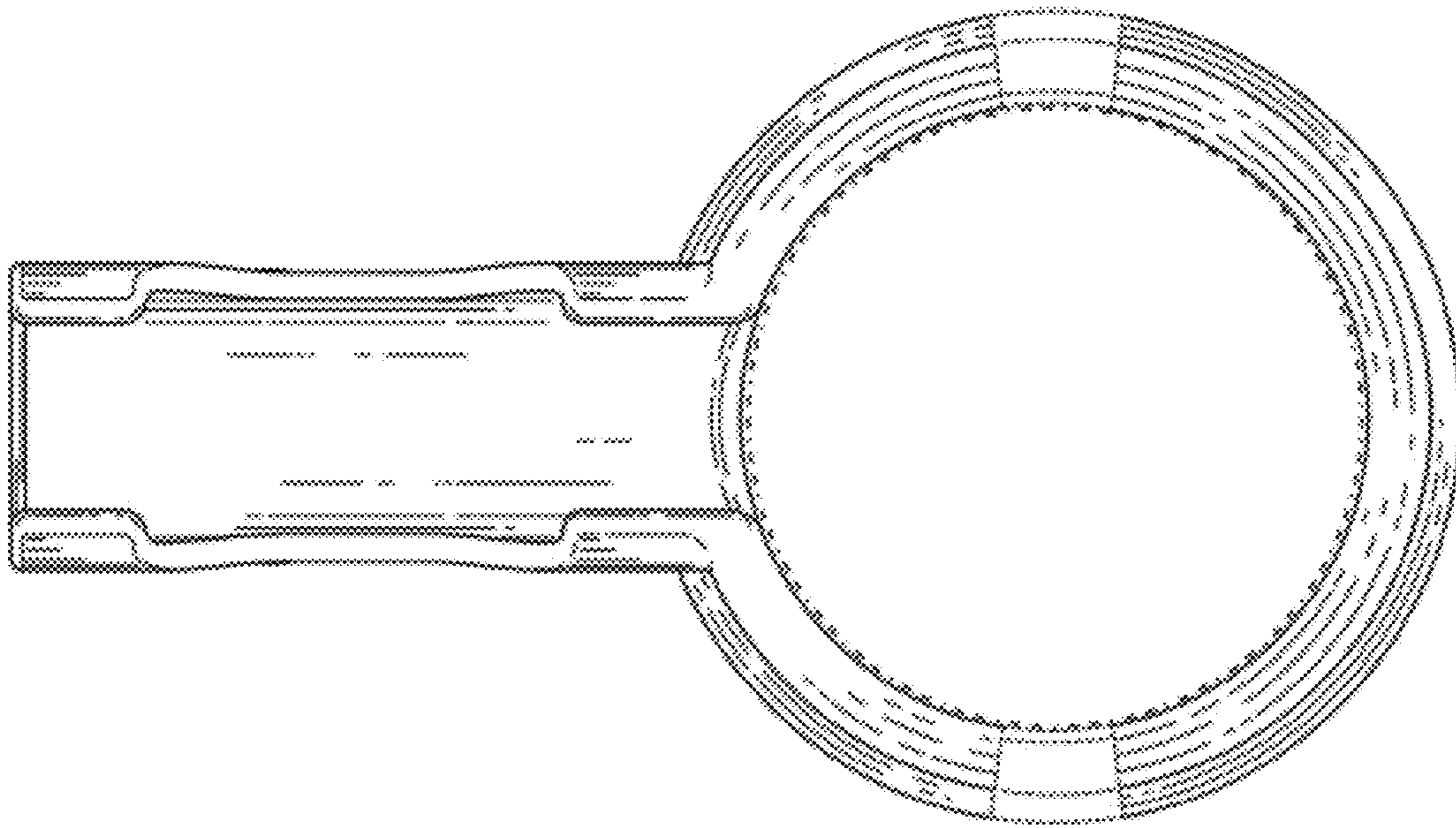


FIG. 5

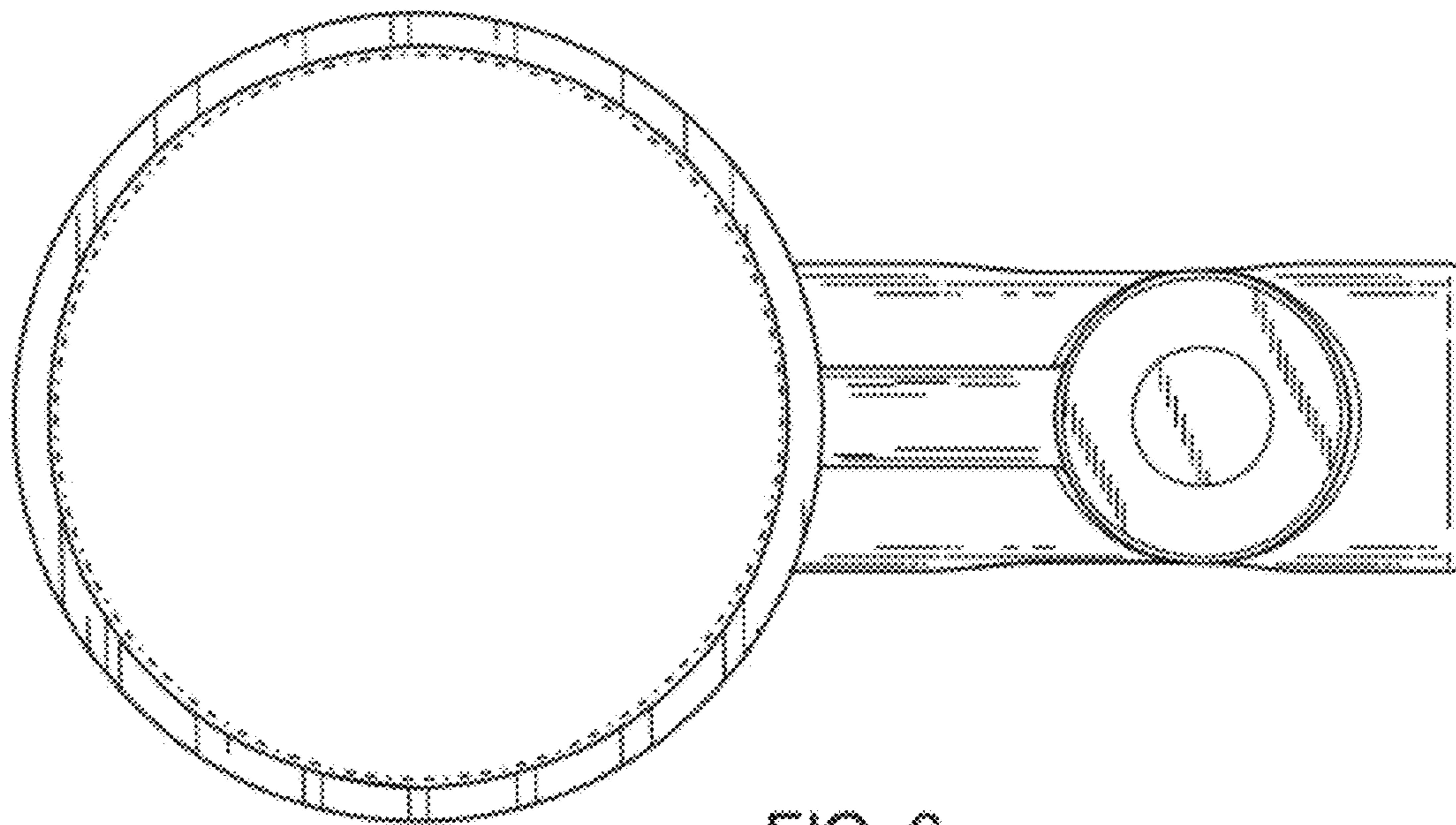


FIG. 6