



US00D658328S

(12) **United States Design Patent**
Baldwin

(10) **Patent No.:** **US D658,328 S**

(45) **Date of Patent:** **** Apr. 24, 2012**

(54) **CORDLESS LIGHT FIXTURE**

(75) Inventor: **Jeffrey P. Baldwin**, Phoenix, AZ (US)

(73) Assignee: **TayMac Corporation**, Gilbert, AZ (US)

(**) Term: **14 Years**

(21) Appl. No.: **29/365,408**

(22) Filed: **Jul. 8, 2010**

(51) **LOC (9) Cl.** **26-99**

(52) **U.S. Cl.** **D26/138**

(58) **Field of Classification Search** D8/377,
D8/376; D25/119, 125, 124, 123, 60; D20/43,
D20/44; D26/60, 37, 72, 105, 93, 96, 110,
D26/67, 68, 138, 118, 113, 120, 121, 122,
D26/140, 76, 141, 142, 144, 145, 155; D6/445,
D6/447, 437, 399, 553, 491, 300, 580; 174/66,
174/67; 422/128; 439/557, 271, 280, 699.2;
362/218, 225, 240, 392, 161, 394, 267, 371,
362/396, 140; 315/307; 310/317; 431/292,
431/253

See application file for complete search history.

(56) **References Cited**

U.S. PATENT DOCUMENTS

1,911,612	A *	5/1933	Eckstein et al.	439/271
D194,703	S *	2/1963	Rifkin	D26/26
3,771,106	A *	11/1973	Matsumoto et al.	439/23
4,191,443	A *	3/1980	Doyle	439/462
4,563,049	A *	1/1986	Thibeault	439/462
5,386,356	A *	1/1995	Davis et al.	362/267

5,412,550	A *	5/1995	Hsieh et al.	362/641
5,506,761	A *	4/1996	Strauss	362/267
5,655,829	A *	8/1997	Lin et al.	362/145
5,690,419	A *	11/1997	Siems	362/269
5,797,675	A *	8/1998	Tanner, Jr.	362/396
6,196,851	B1 *	3/2001	Gerard et al.	439/21
7,063,553	B1 *	6/2006	Mullen	439/336
7,137,721	B1 *	11/2006	Rao et al.	362/371
7,182,637	B2 *	2/2007	Coyle et al.	439/557
D546,762	S *	7/2007	Kovacs	D13/134
7,387,544	B1 *	6/2008	Hsu	439/699.2
7,481,670	B2 *	1/2009	Chen	439/505
2010/0290240	A1 *	11/2010	Genenbacher	362/398

* cited by examiner

Primary Examiner — Kevin Rudzinski

(74) *Attorney, Agent, or Firm* — Booth Udall, PLC

(57) **CLAIM**

The ornamental design for a cordless light fixture, as shown and described in the preceding Figures.

DESCRIPTION

FIG. 1 is a right side elevational view of a design for a cordless light fixture for which the basic design is the mirror image of the left side view thereof;

FIG. 2 is a top plan view thereof;

FIG. 3 is a bottom plan view thereof;

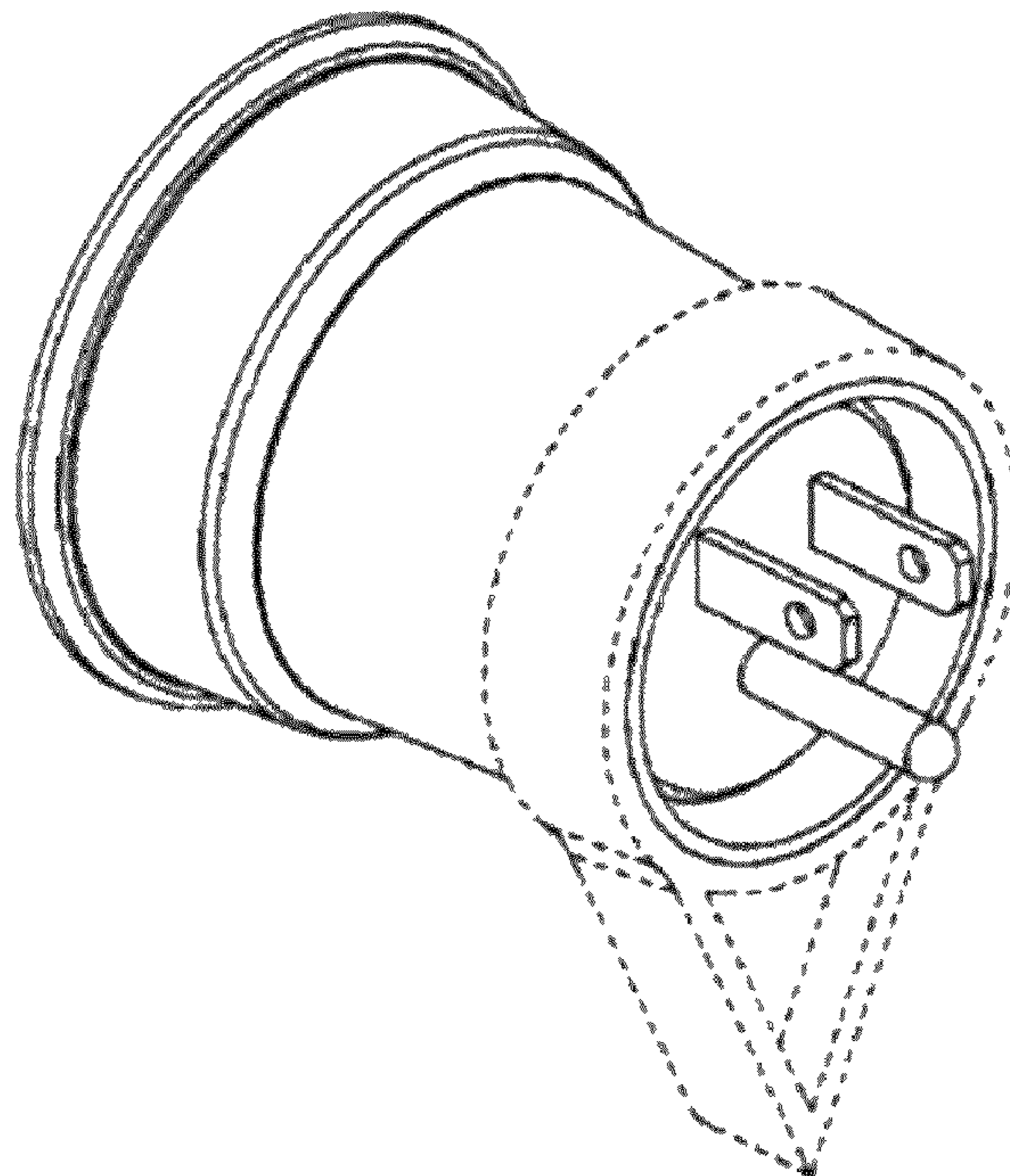
FIG. 4 is a back elevational view thereof;

FIG. 5 is a front elevational view thereof; and,

FIG. 6 is a perspective view thereof.

The broken lines shown in Figures are for illustrative purposes only and form no part of the claimed design.

1 Claim, 3 Drawing Sheets



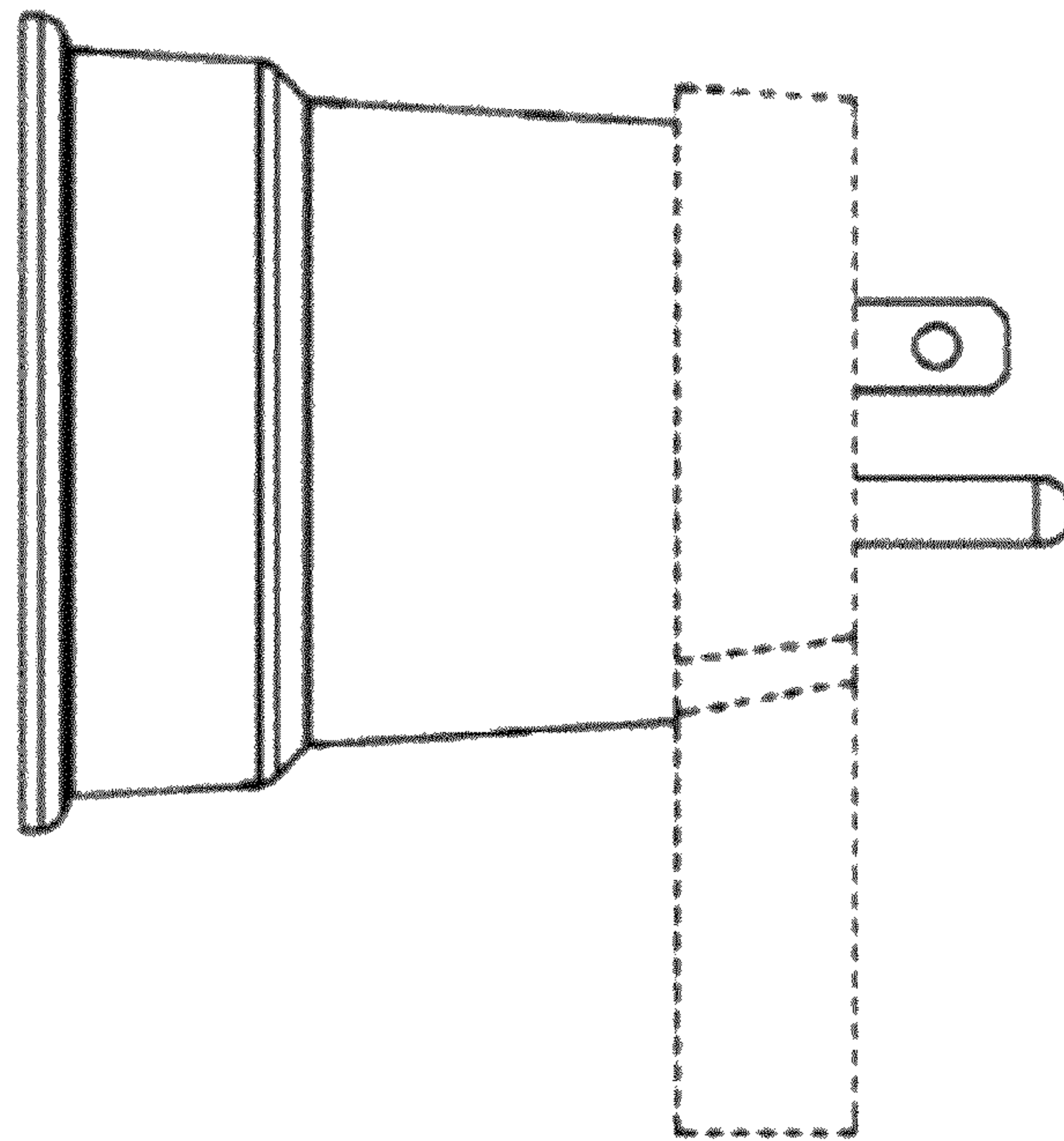


FIG 1.

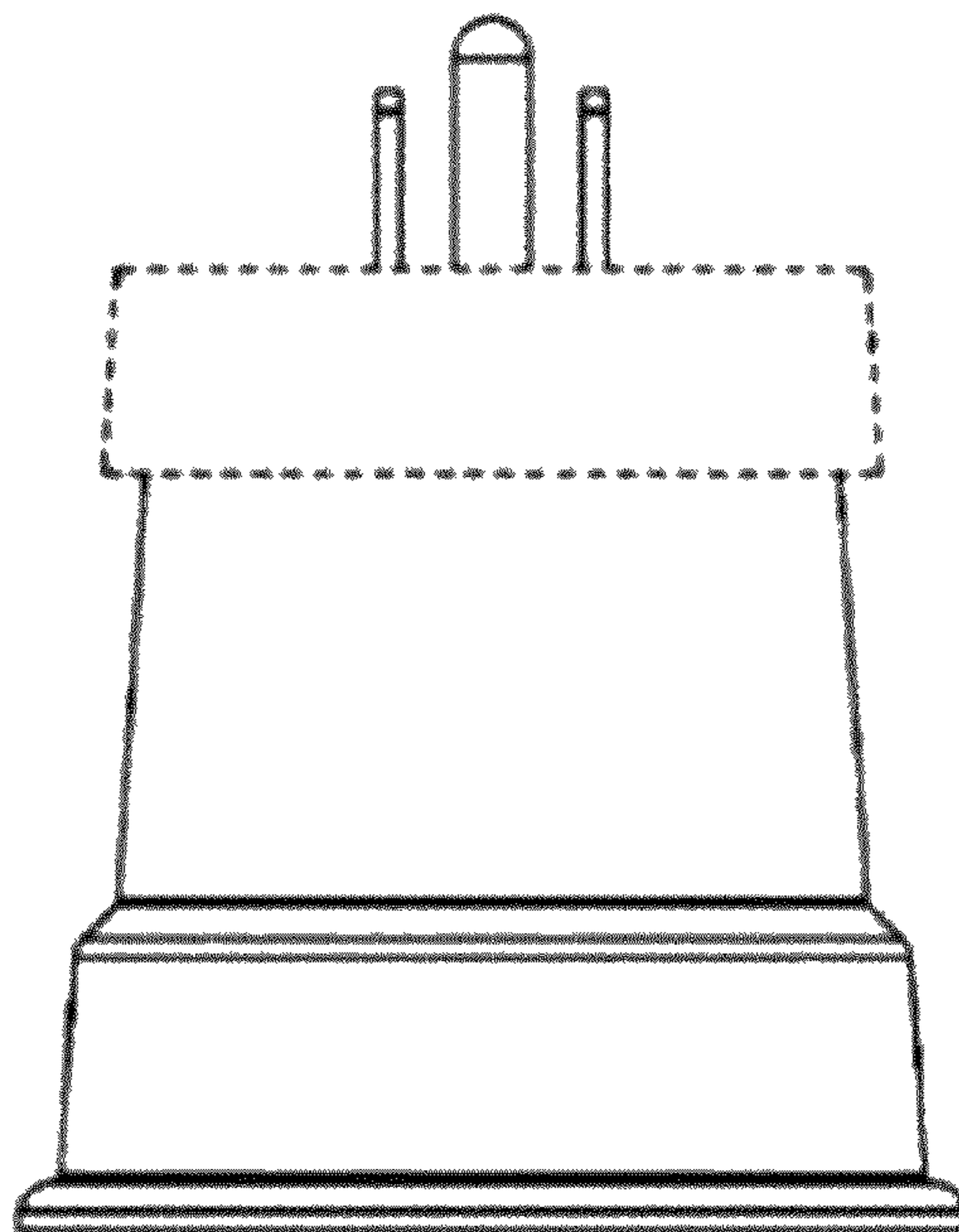


FIG 2.

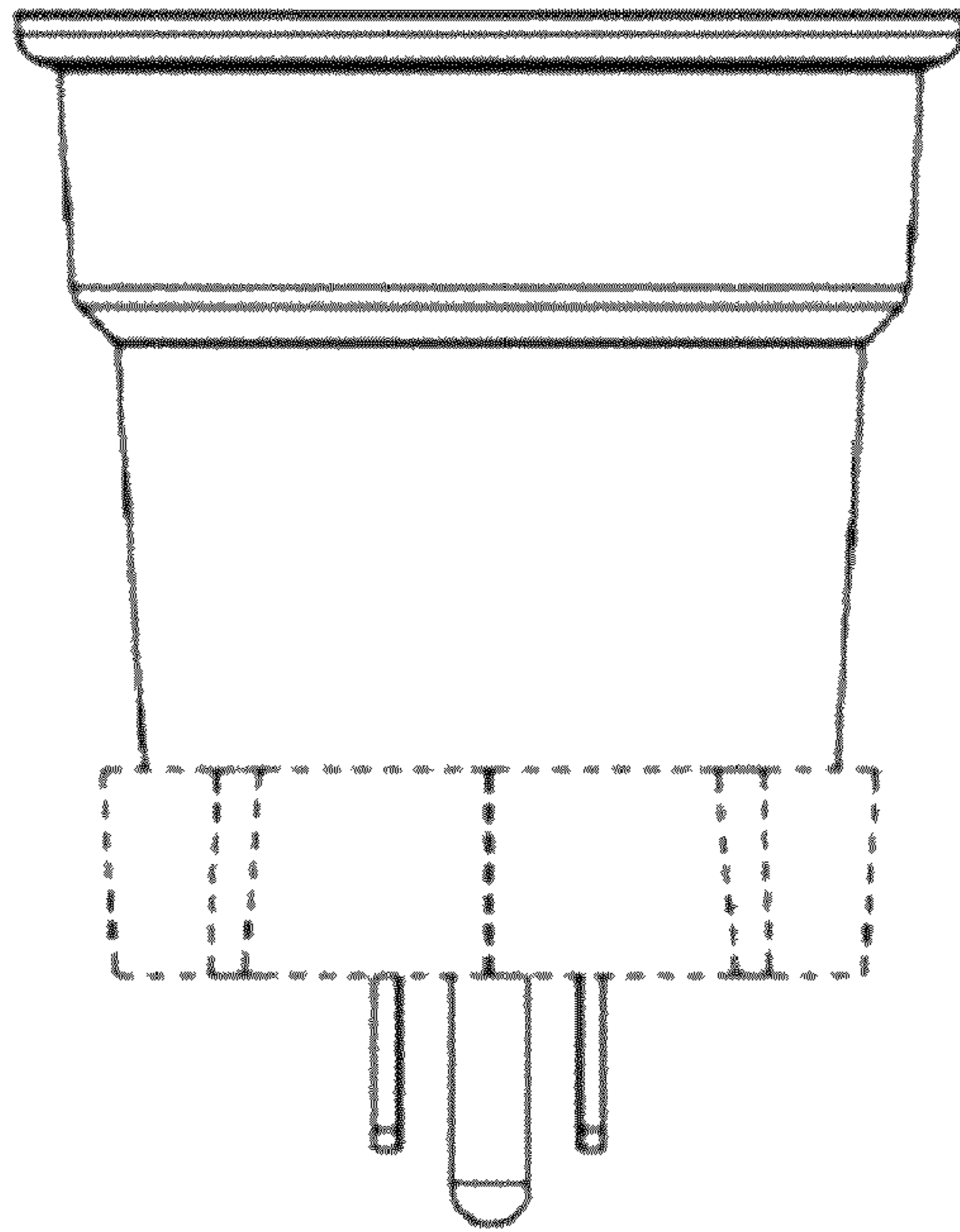


FIG 3.

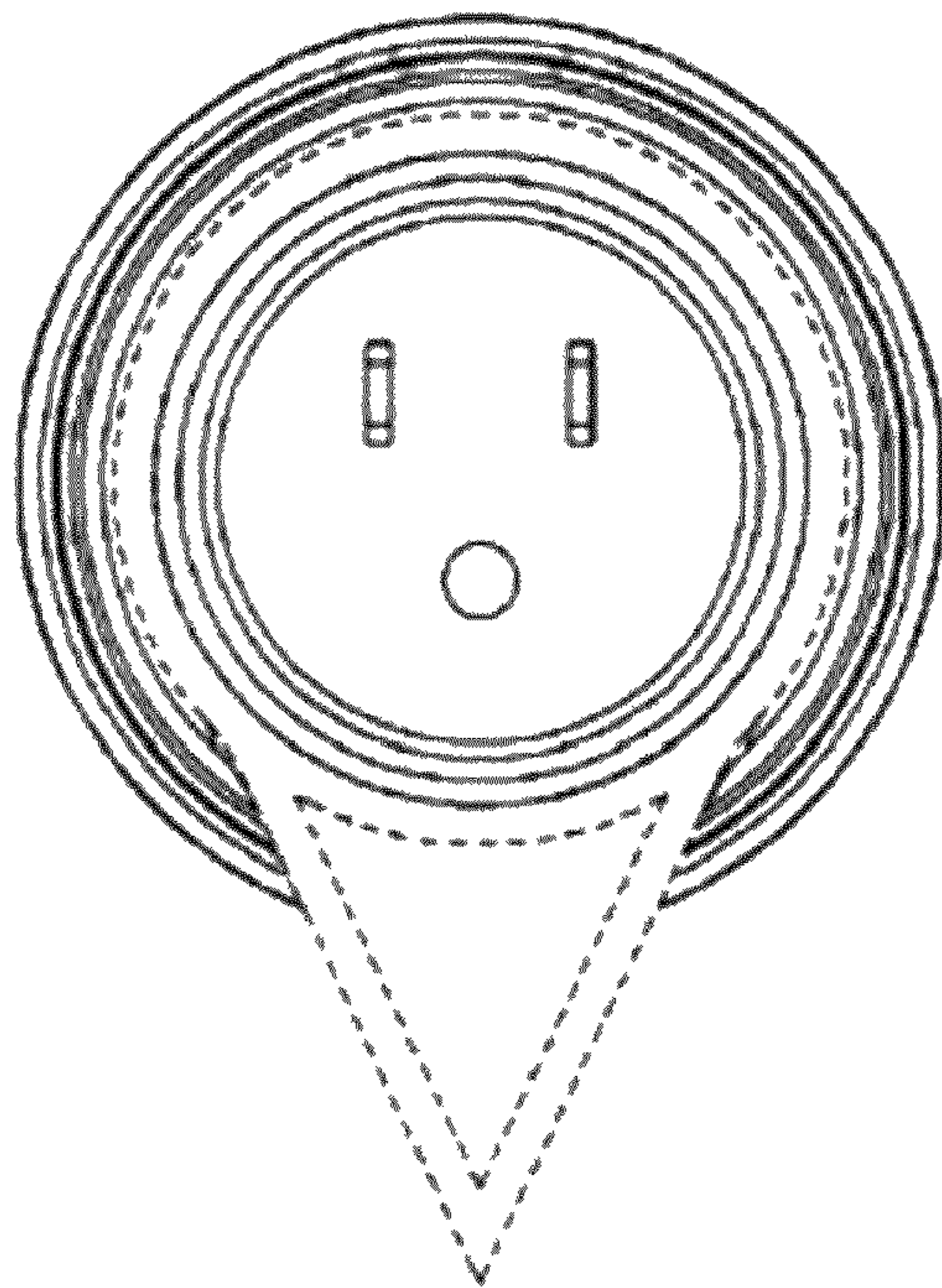


FIG 4.

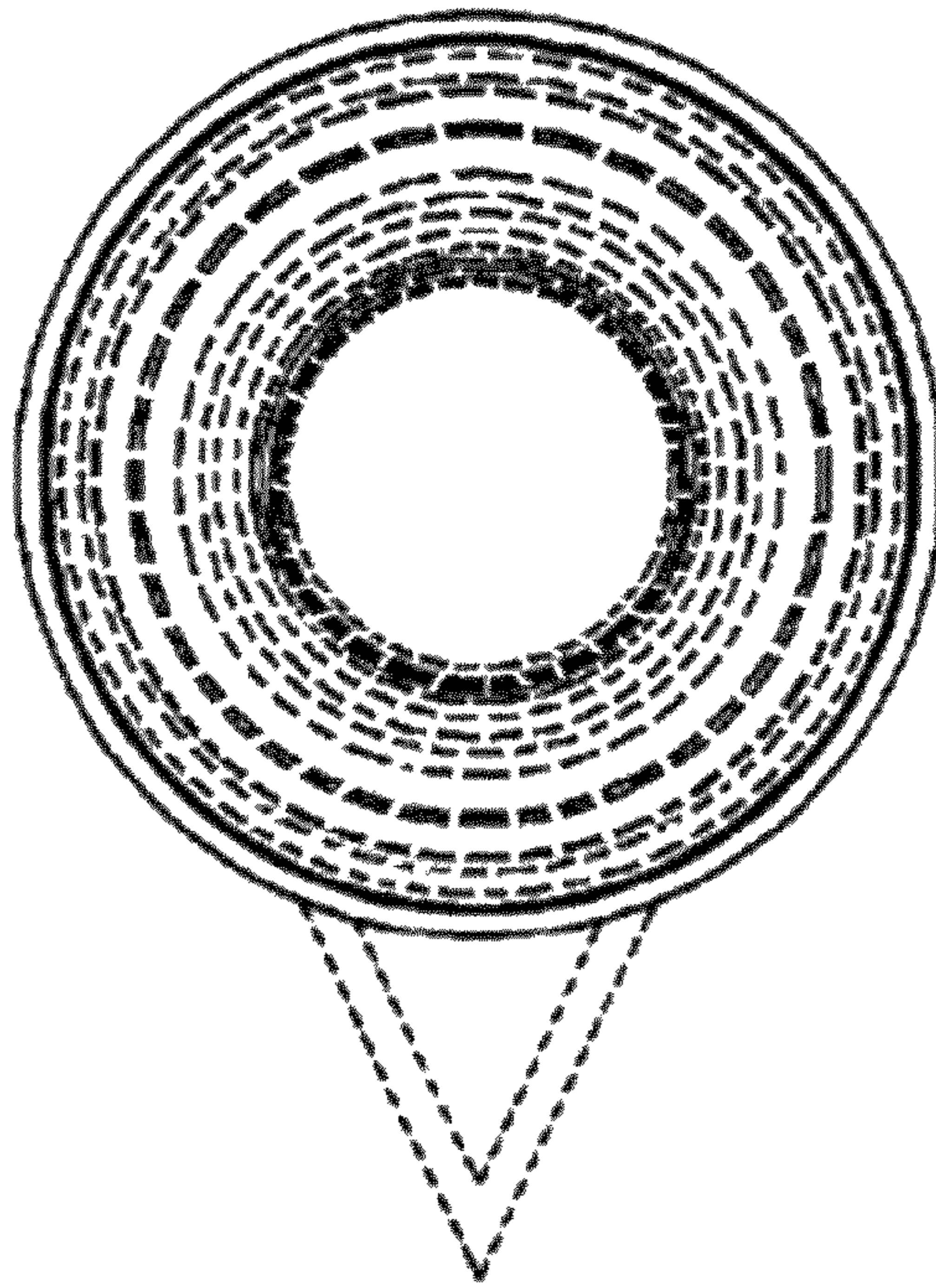


FIG 5.

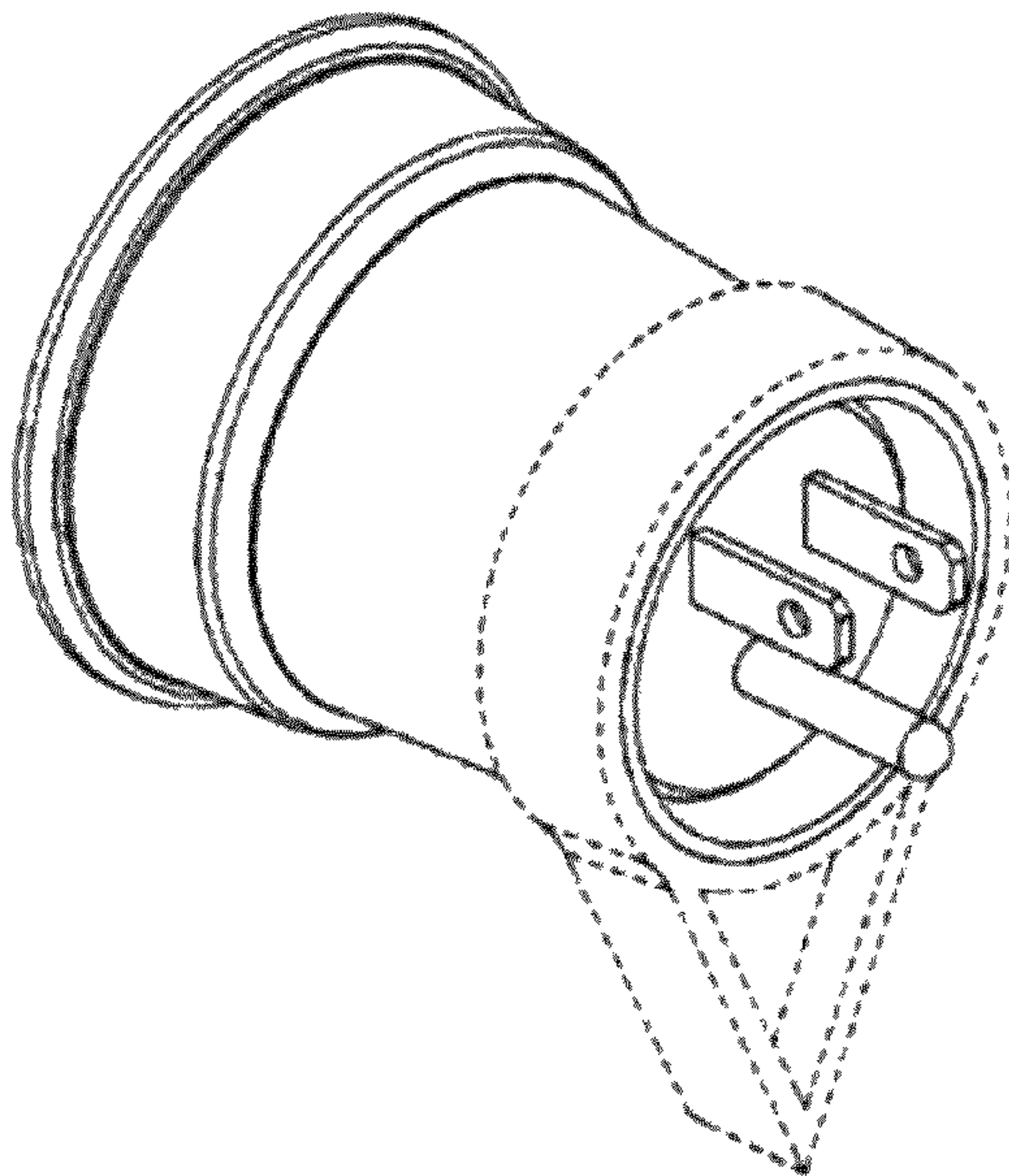


FIG 6.