



US00D658327S

(12) **United States Design Patent**
Meise et al.

(10) **Patent No.:** **US D658,327 S**

(45) **Date of Patent:** **** Apr. 24, 2012**

(54) **CEILING LAMP**

(76) Inventors: **Axel Meise**, Munich (DE); **Christoph Kuegler**, Munich (DE)

(**) **Term:** **14 Years**

(21) **Appl. No.:** **29/345,025**

(22) **Filed:** **Oct. 8, 2009**

(30) **Foreign Application Priority Data**

Apr. 8, 2009 (EM) 001119655-0001
Apr. 8, 2009 (EM) 001119655-0013
Apr. 8, 2009 (EM) 001119655-0021

(51) **LOC (9) Cl.** **26-05**

(52) **U.S. Cl.** **D26/74**

(58) **Field of Classification Search** D26/24,
D26/72, 74, 80, 81, 83, 85, 88, 61, 63; 362/576,
362/89, 145, 147, 148, 150, 151, 152, 153,
362/153.1, 294, 296.01, 311.02, 311.07,
362/364, 365, 366, 373

See application file for complete search history.

(56) **References Cited**

U.S. PATENT DOCUMENTS

D109,740 S * 5/1938 Stewart D26/137
D389,592 S * 1/1998 Reiser D26/36
D482,484 S * 11/2003 Benghozi D26/85
D503,823 S * 4/2005 Yurich D26/89
D503,993 S * 4/2005 Yurich D26/89
D503,994 S * 4/2005 Yurich D26/89
D544,128 S * 6/2007 Carro D26/74

D549,384 S * 8/2007 Grawunder D26/89
D571,497 S * 6/2008 Chan et al. D26/74
D607,600 S * 1/2010 Keith D26/85
D609,840 S * 2/2010 Tang D26/74
D617,031 S * 6/2010 Redfern et al. D26/85
D633,231 S * 2/2011 Morrison D26/24

FOREIGN PATENT DOCUMENTS

KR 300502883.0000 * 8/2008

* cited by examiner

Primary Examiner — Angela J Lee

(74) *Attorney, Agent, or Firm* — 24IP Law Group; Timothy R. DeWitt

(57) **CLAIM**

The ornamental design for a ceiling lamp, as shown and described.

DESCRIPTION

FIG. 1 is a perspective view of a ceiling lamp showing my new design;

FIG. 2 is a side view of the ceiling lamp shown in FIG. 1;

FIG. 3 is a bottom view of the ceiling lamp shown in FIG. 1;

FIG. 4 is a front view of the ceiling lamp shown in FIG. 1;

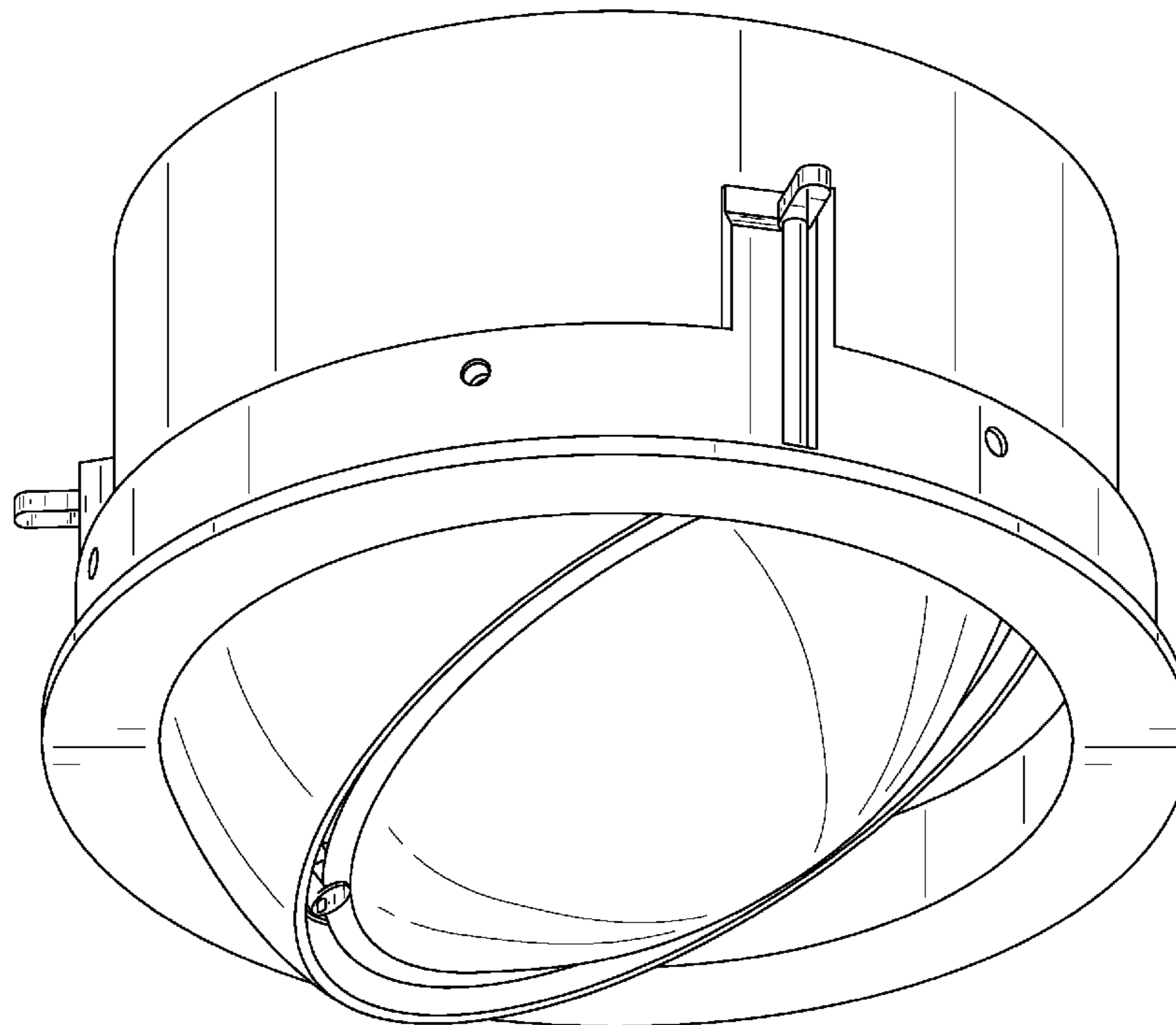
FIG. 5 is a side view of the ceiling lamp shown in FIG. 1, in an alternate position;

FIG. 6 is a back view of the ceiling lamp shown in FIG. 1; and,

FIG. 7 is a top view of the ceiling lamp shown in FIG. 1.

The portions of the ceiling lamp shown in broken lines in the drawings form no part of the claimed design.

1 Claim, 7 Drawing Sheets



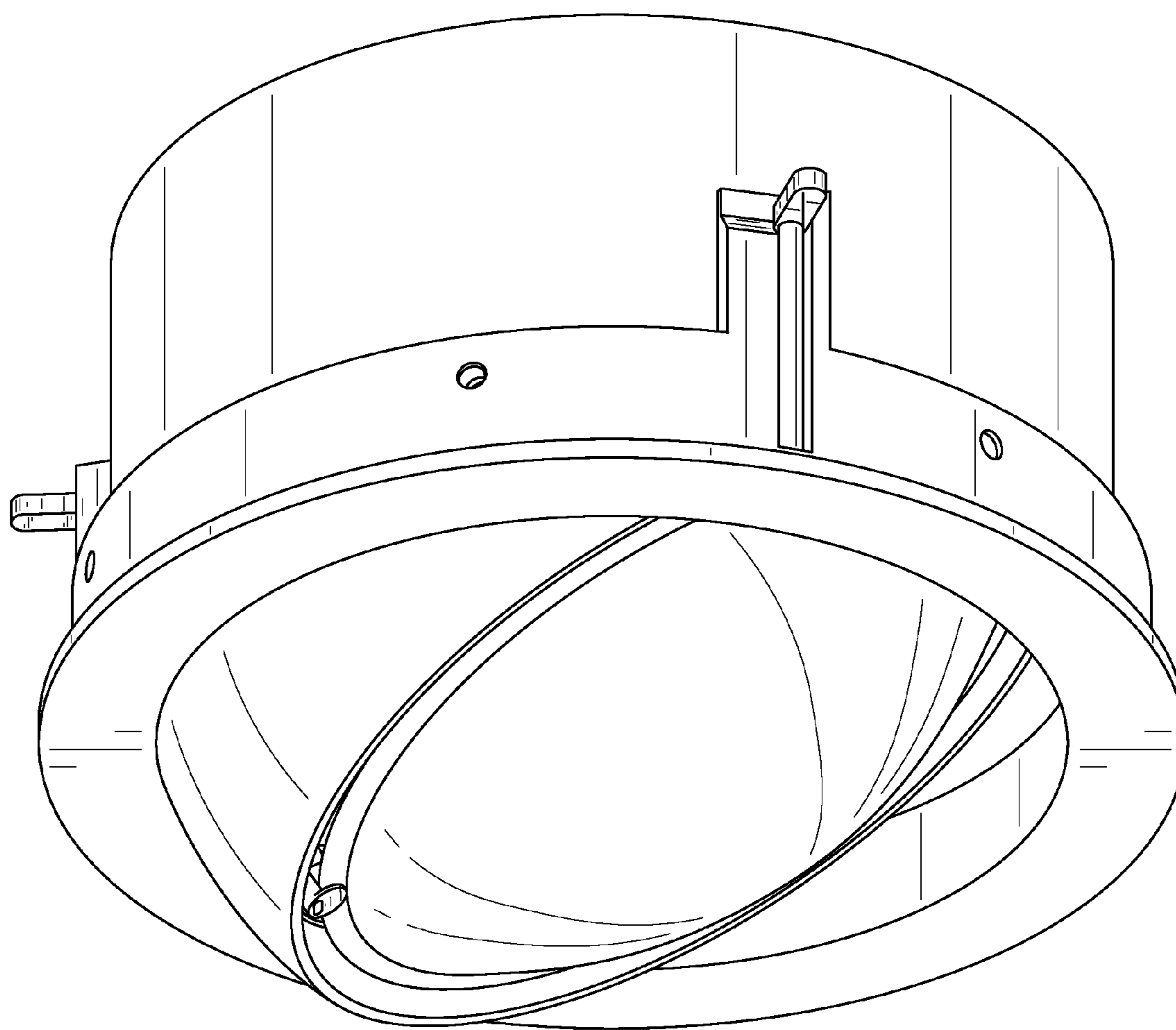


FIG. 1

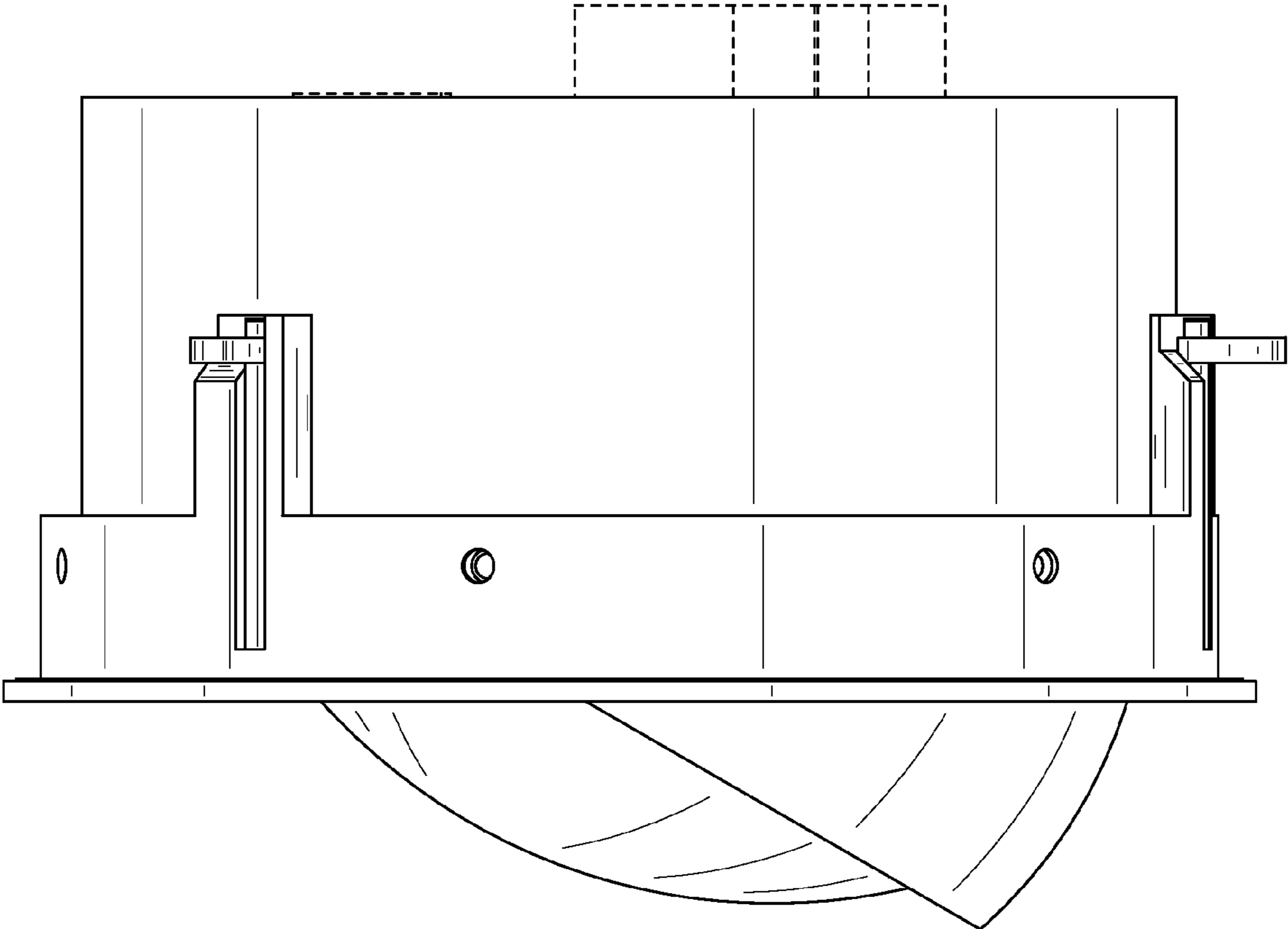


FIG. 2

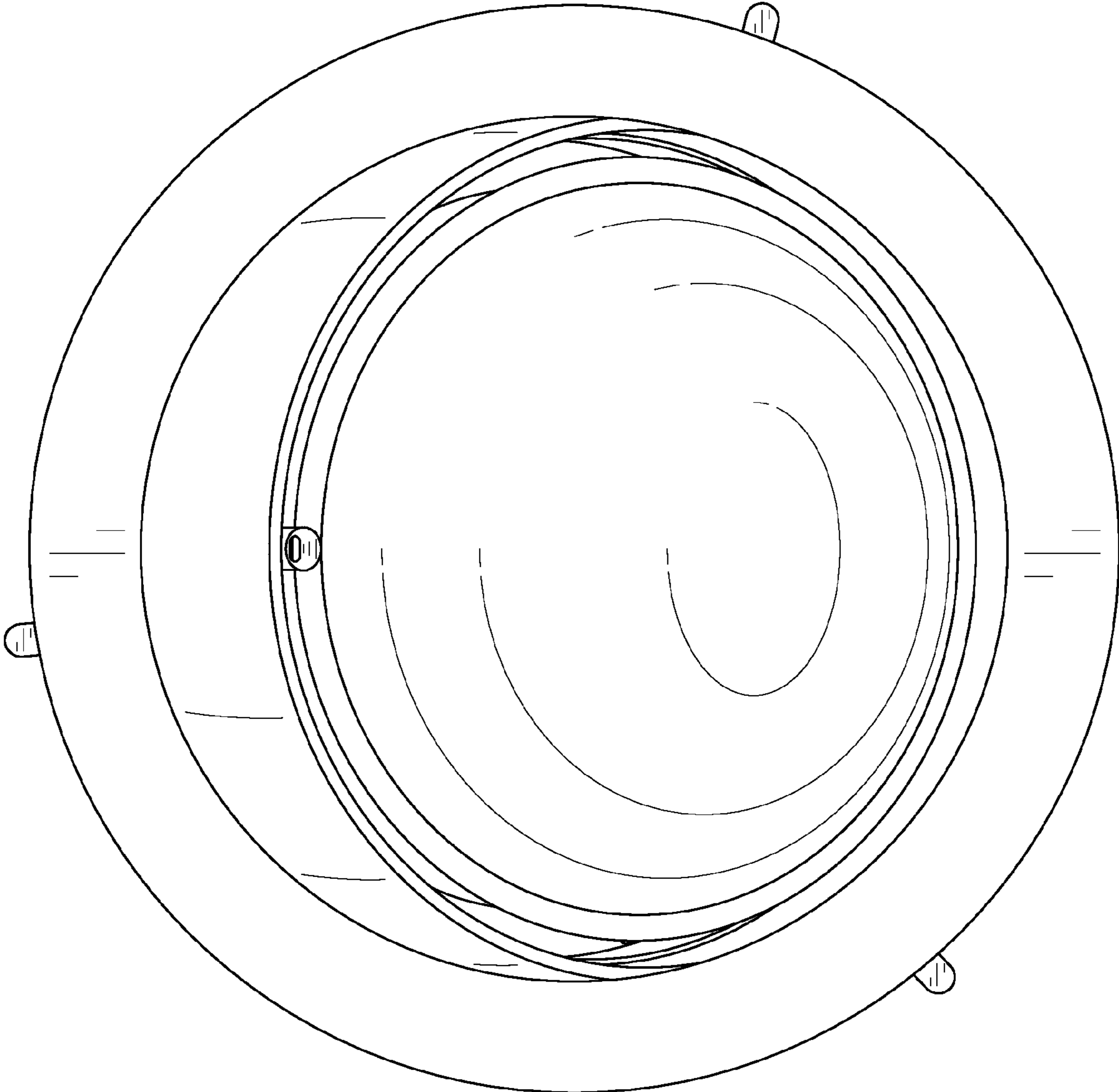


FIG. 3

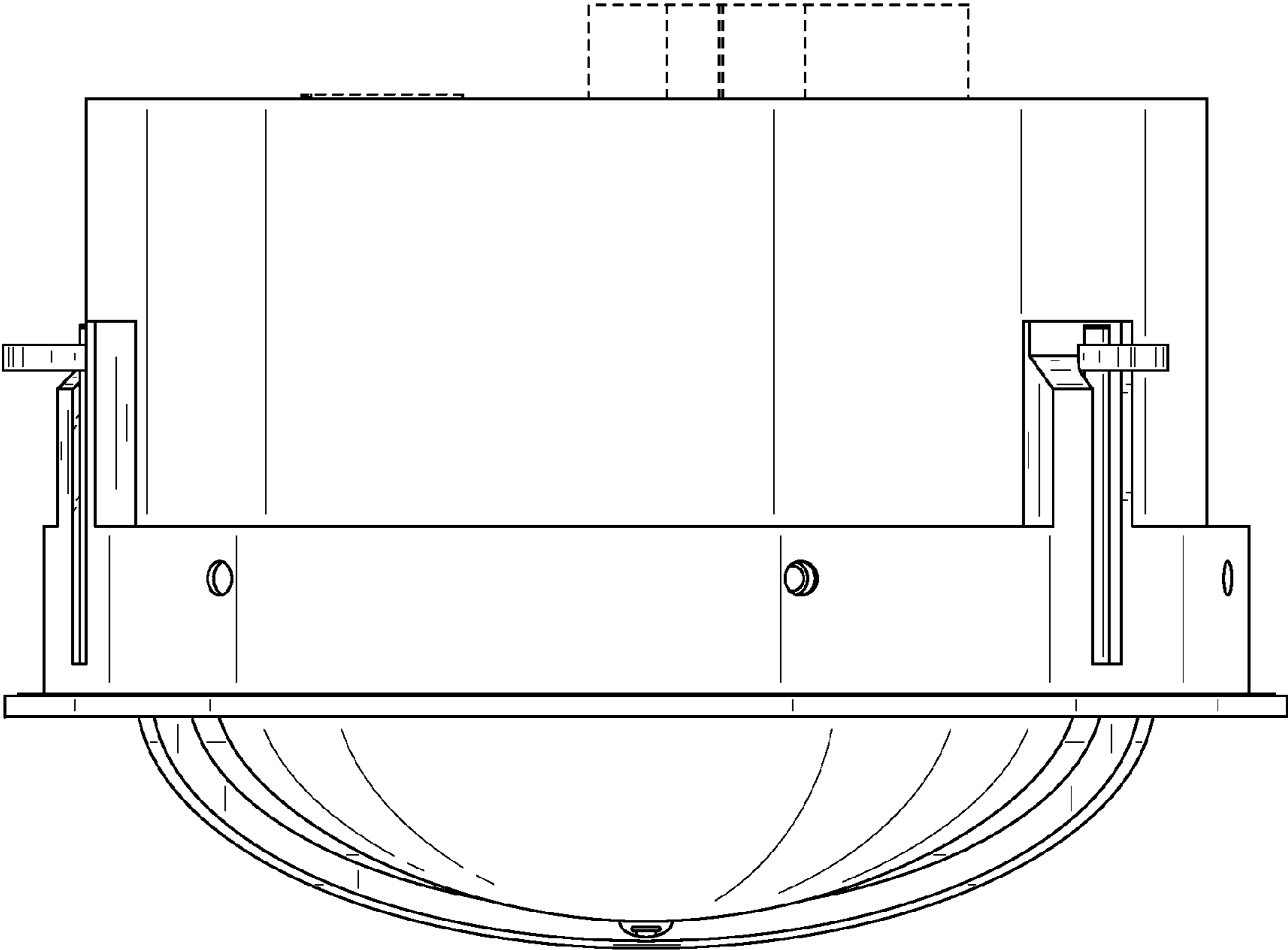


FIG. 4

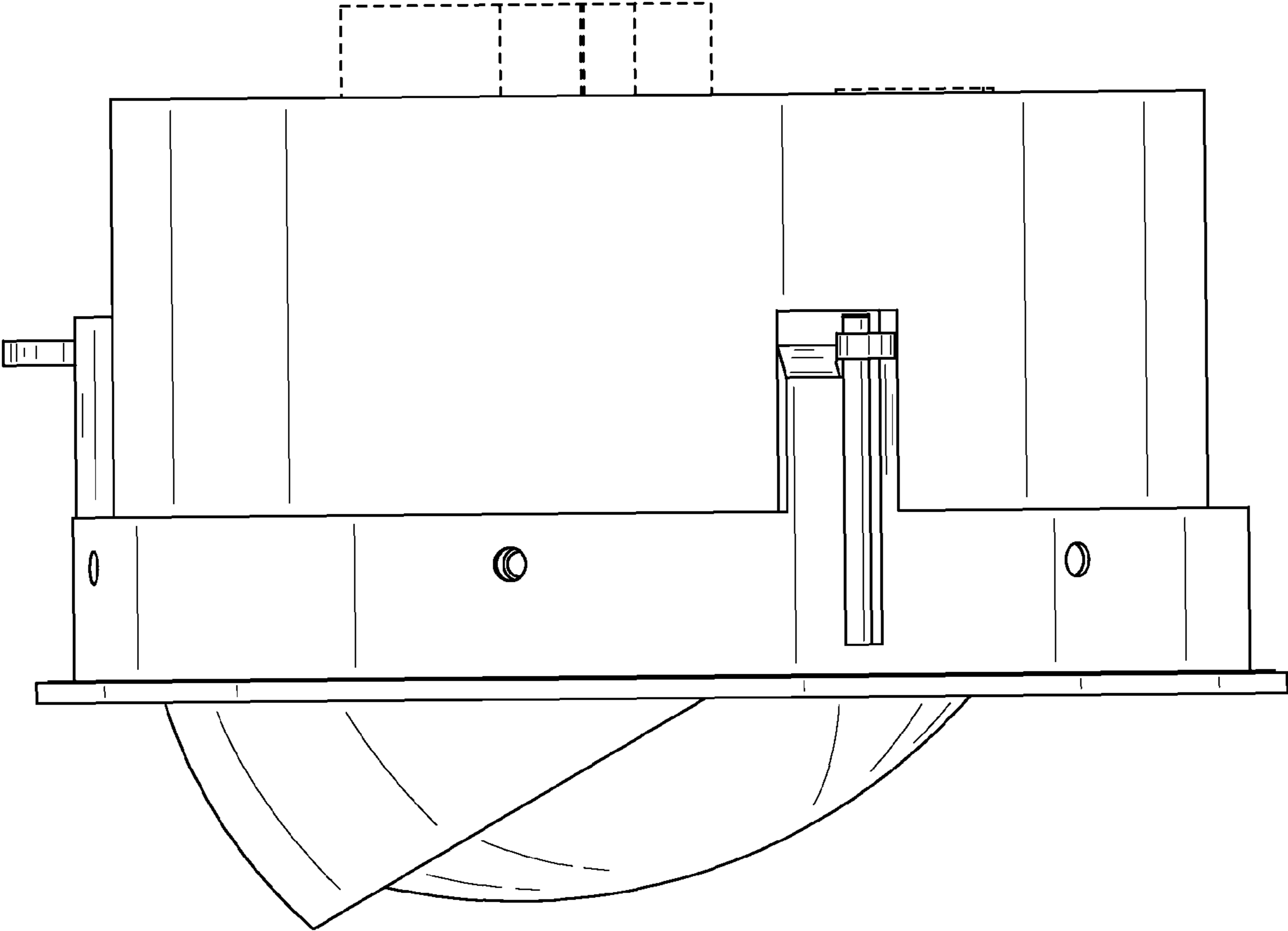


FIG. 5

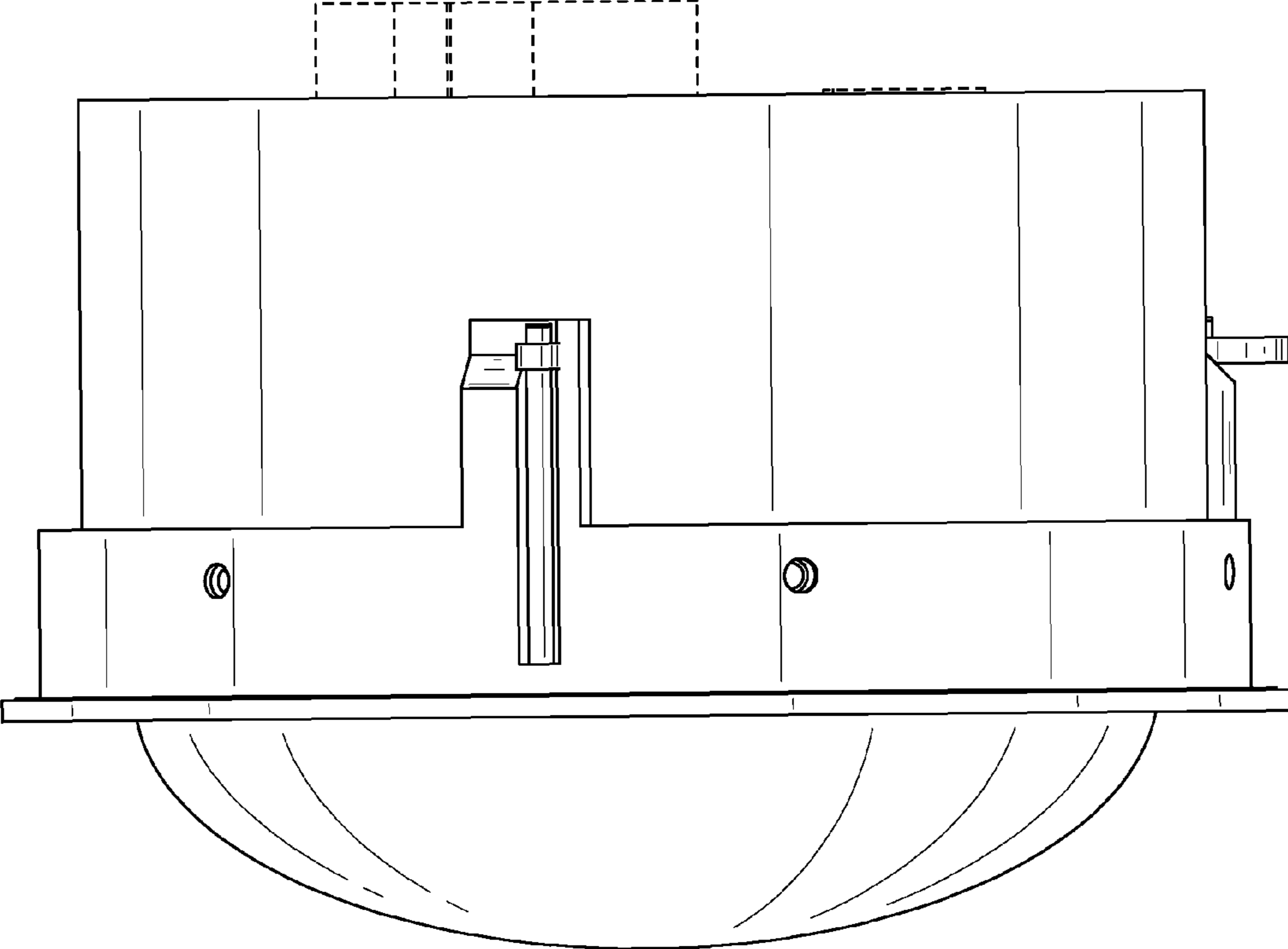


FIG. 6

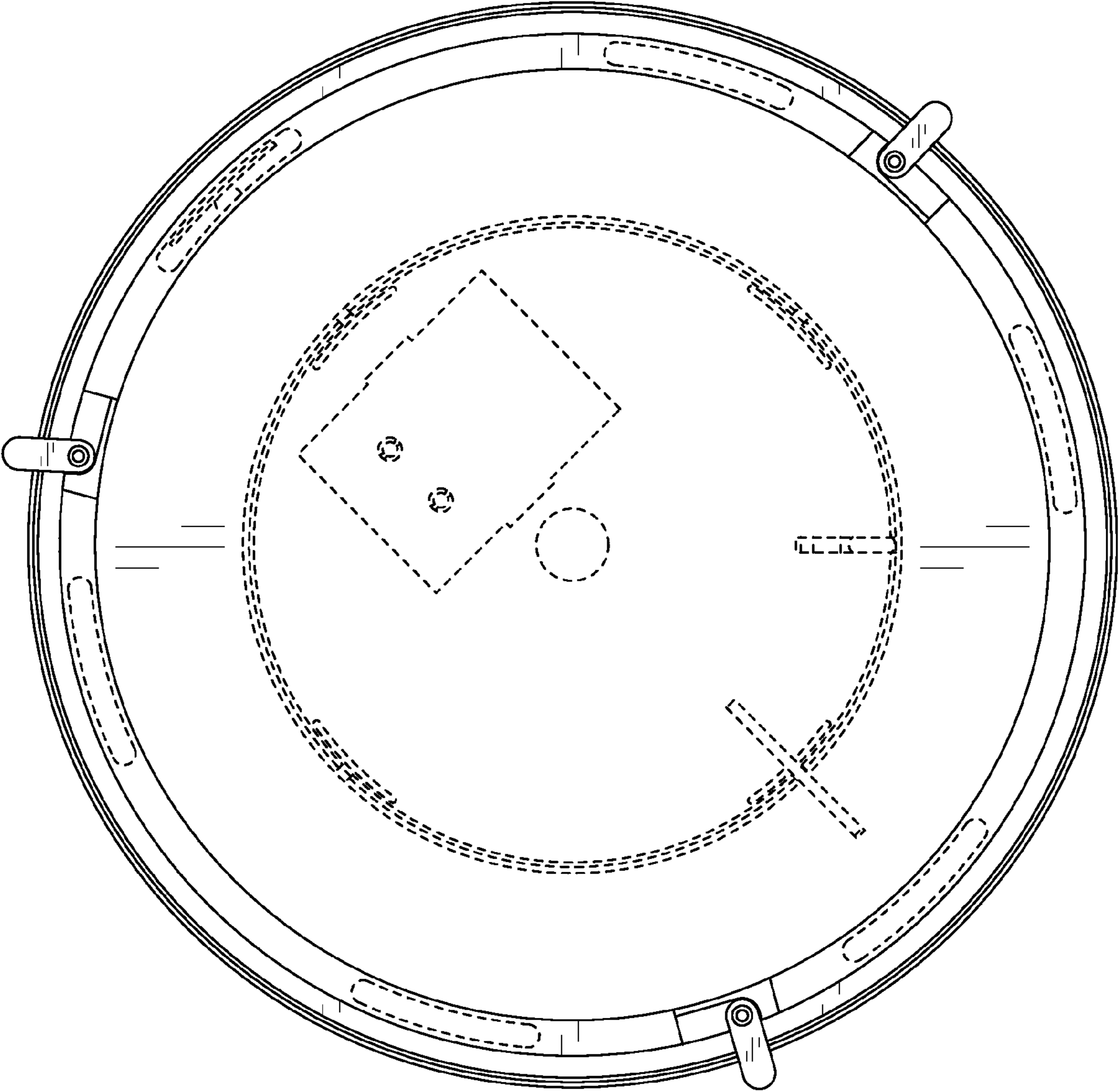


FIG. 7