

US00D658326S

(12) **United States Design Patent**  
**Lai et al.**

(10) **Patent No.:** **US D658,326 S**

(45) **Date of Patent:** **\*\* Apr. 24, 2012**

(54) **DESK LAMP**

D450,878 S \* 11/2001 Dolan ..... D26/109  
D452,927 S \* 1/2002 Strickland ..... D26/63  
D612,971 S \* 3/2010 Levine ..... D26/63

(75) Inventors: **Kee-Weng Lai**, New Taipei (TW); **Peng Hui Wang**, New Taipei (TW)

\* cited by examiner

(73) Assignee: **Ecolighting, Inc Corp.**, New Taipei (TW)

*Primary Examiner* — Susan M Lee

*Assistant Examiner* — Linda G. Brooks

(\*\*) Term: **14 Years**

(74) *Attorney, Agent, or Firm* — Chun-Ming Shih; HDLS IPR Services

(21) Appl. No.: **29/400,126**

(57) **CLAIM**  
The ornamental design for a desk lamp, as shown and described.

(22) Filed: **Aug. 23, 2011**

(51) **LOC (9) Cl.** ..... **26-05**

(52) **U.S. Cl.** ..... **D26/63**

(58) **Field of Classification Search** ..... D26/60–66,  
D26/93–112; 362/410–414, 806, 418, 419,  
362/427, 153.1, 269, 270, 274, 277, 285–289,  
362/431

See application file for complete search history.

**DESCRIPTION**

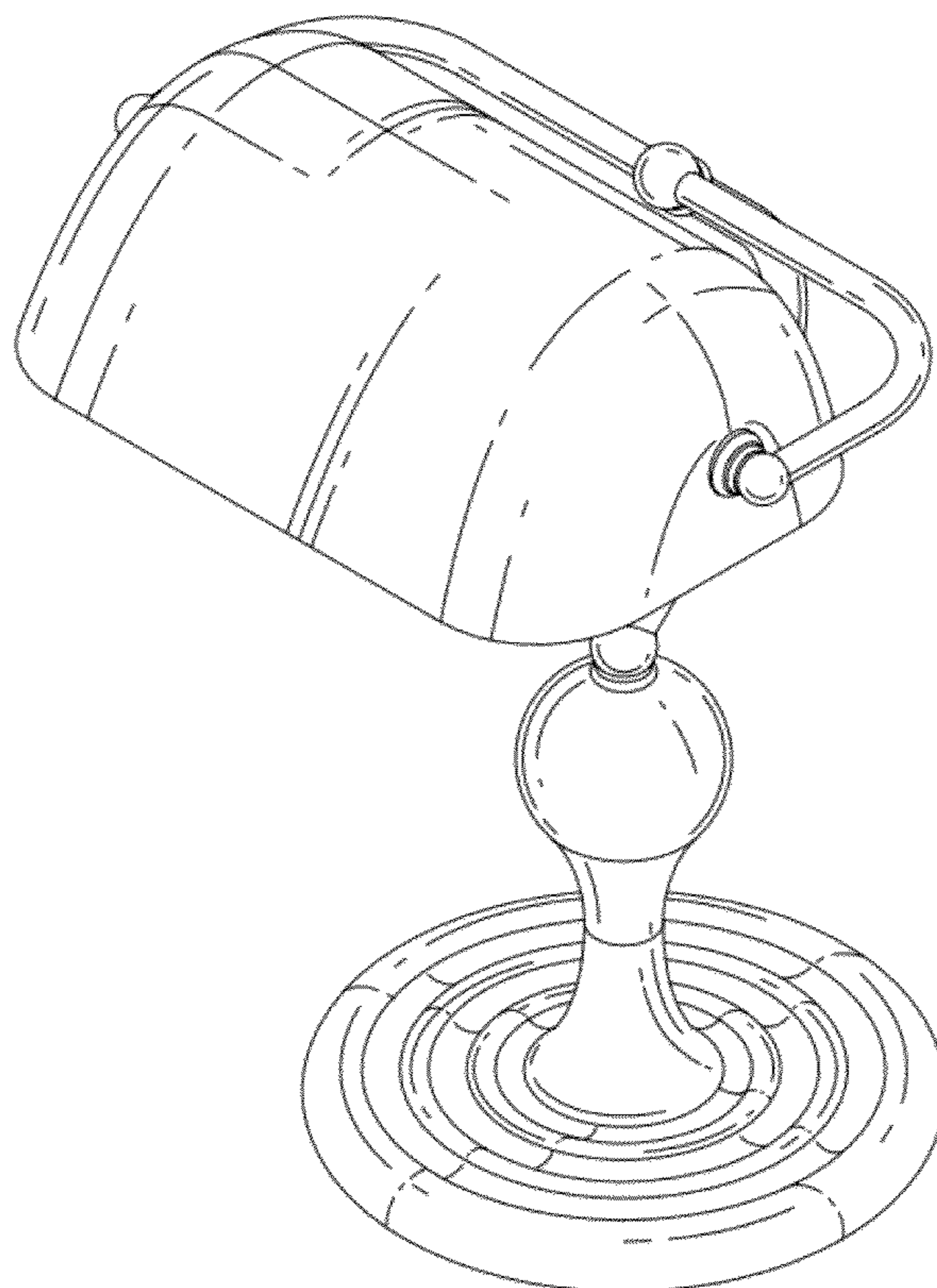
FIG. 1 is a perspective view of a desk lamp showing my new design;  
FIG. 2 is a front view thereof;  
FIG. 3 is a rear view thereof;  
FIG. 4 is a left side view thereof;  
FIG. 5 is a right side view thereof;  
FIG. 6 is a top view thereof;  
FIG. 7 is a bottom view thereof.  
FIG. 8 is another perspective view showing the desk lamp.  
FIG. 9 is a cross-section view showing the desk lamp along line IX-IX in FIG. 4; and,  
FIG. 10 is a perspective view showing the desk lamp in use. The broken line environmental showing is for illustrative purpose only and forms no part of the claimed design.

(56) **References Cited**

U.S. PATENT DOCUMENTS

D46,922 S \* 2/1915 Chassaing ..... D26/65  
D68,232 S \* 9/1925 Bowen ..... D26/63  
D81,517 S \* 7/1930 Anderson ..... D26/63  
D176,550 S \* 1/1956 Mugnai ..... D26/63  
D249,292 S \* 9/1978 Ishikawa et al. .... D26/62  
D331,983 S \* 12/1992 Winn ..... D26/63  
D339,648 S \* 9/1993 Wen-Yung ..... D26/51  
D354,370 S \* 1/1995 Stromberg ..... D26/109

**1 Claim, 10 Drawing Sheets**



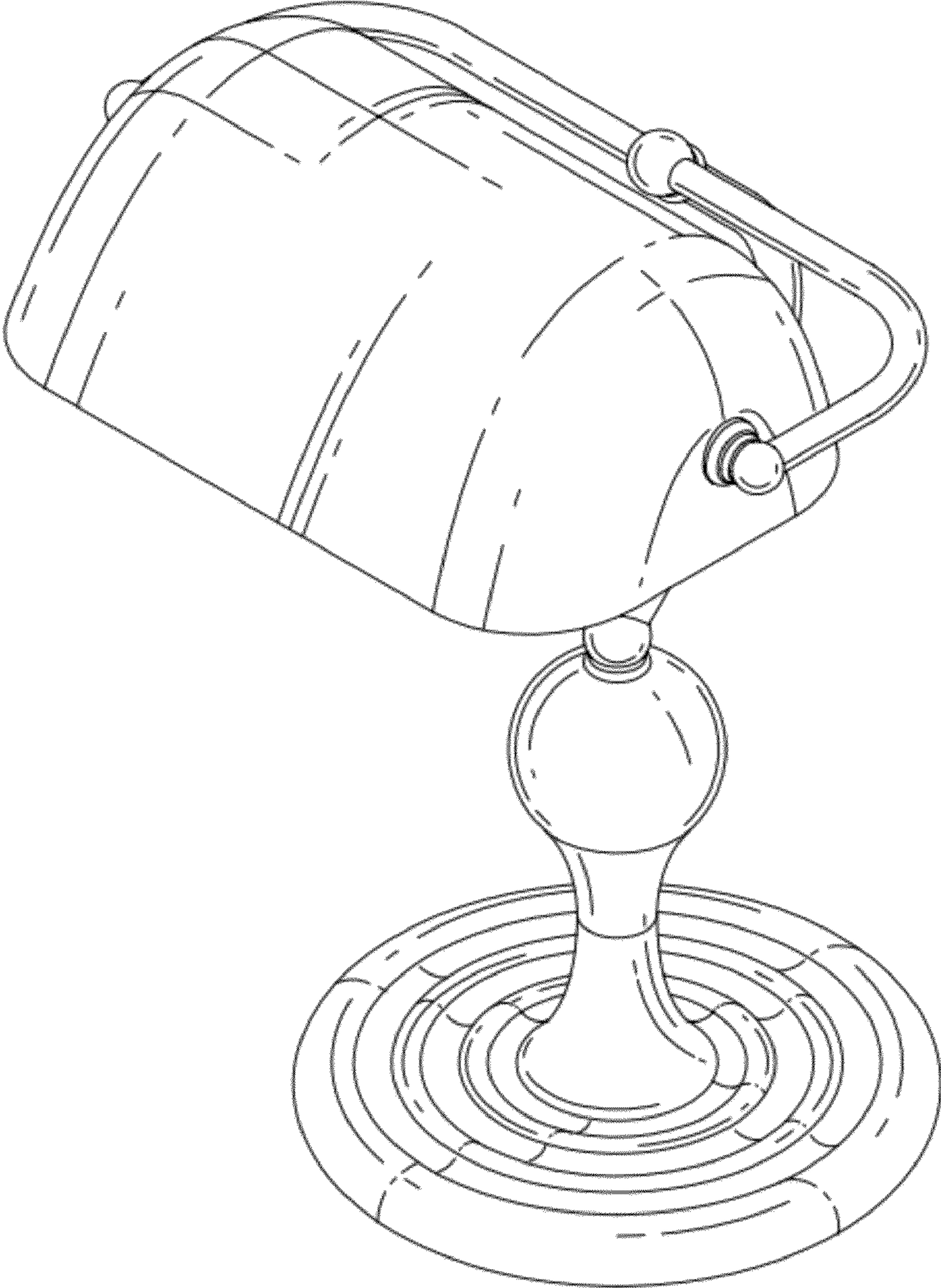


FIG.1

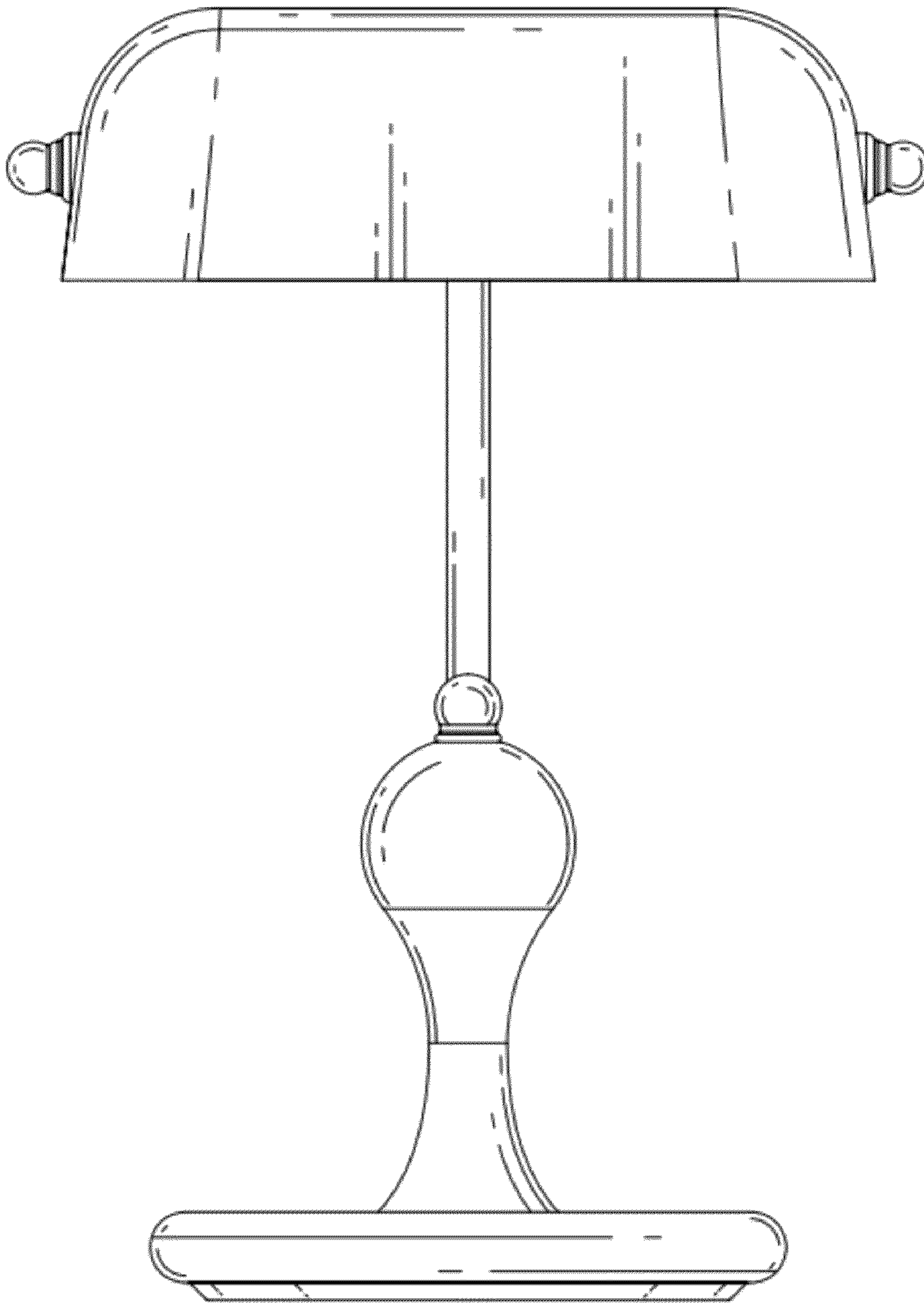


FIG.2

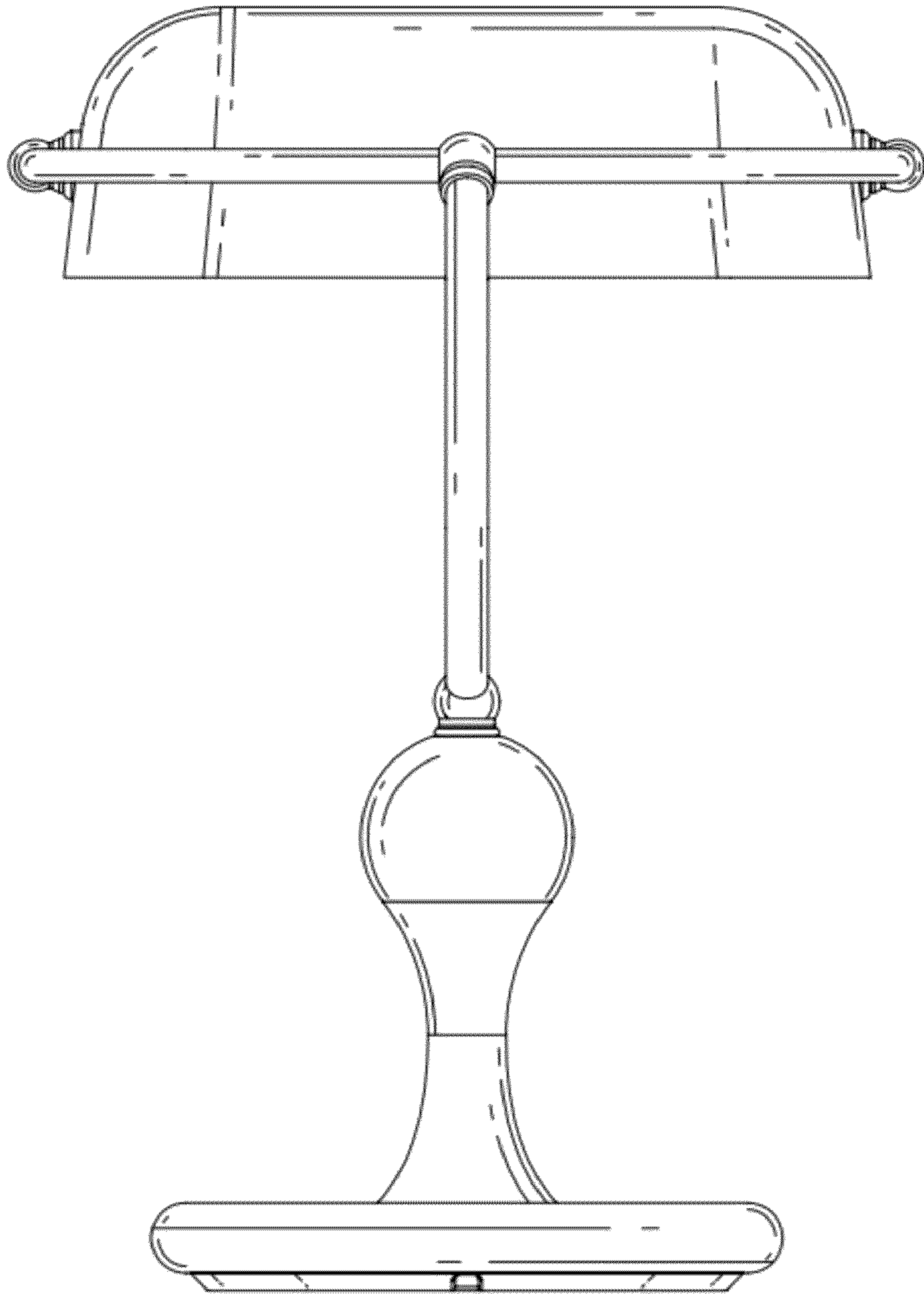


FIG.3

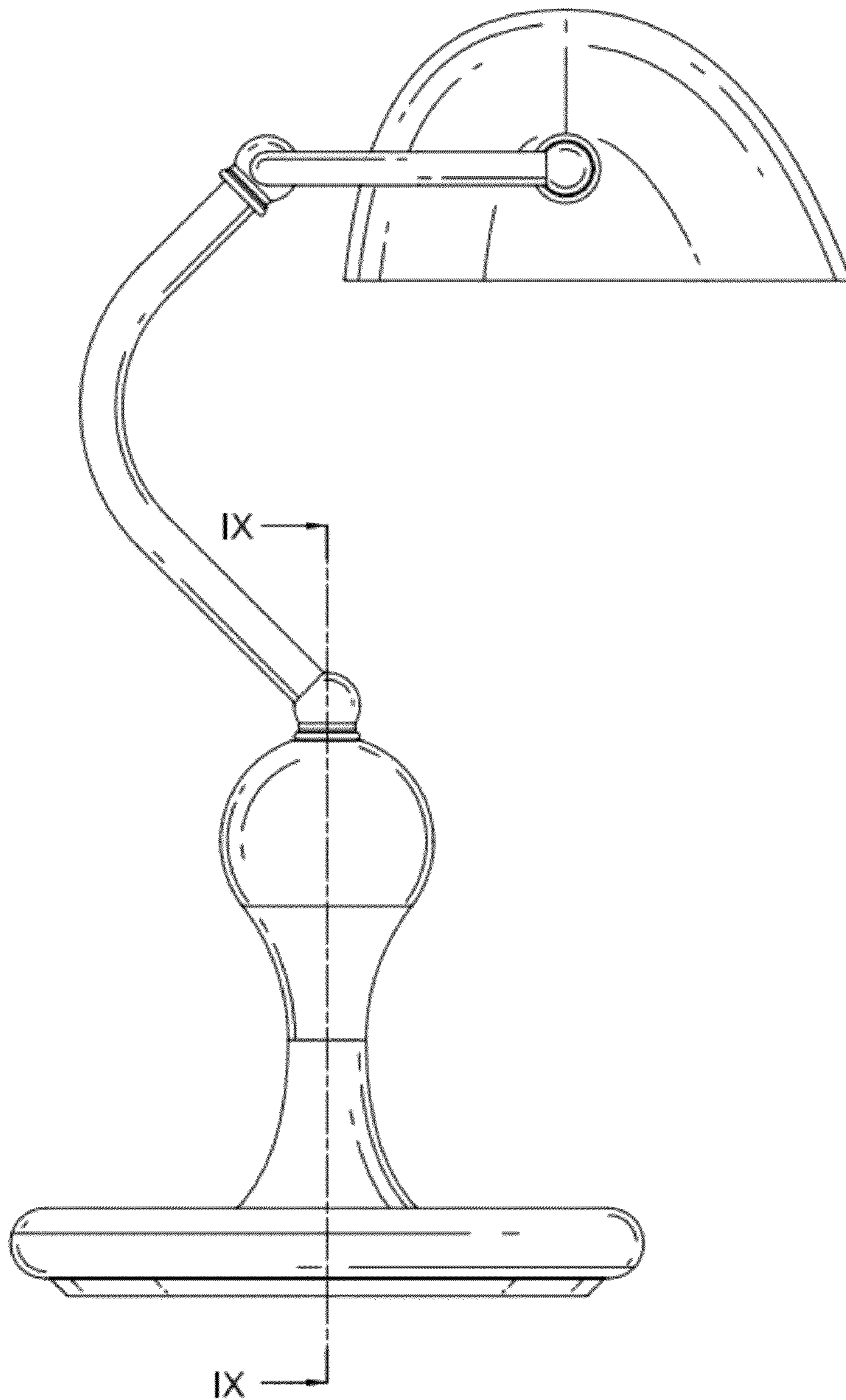


FIG. 4

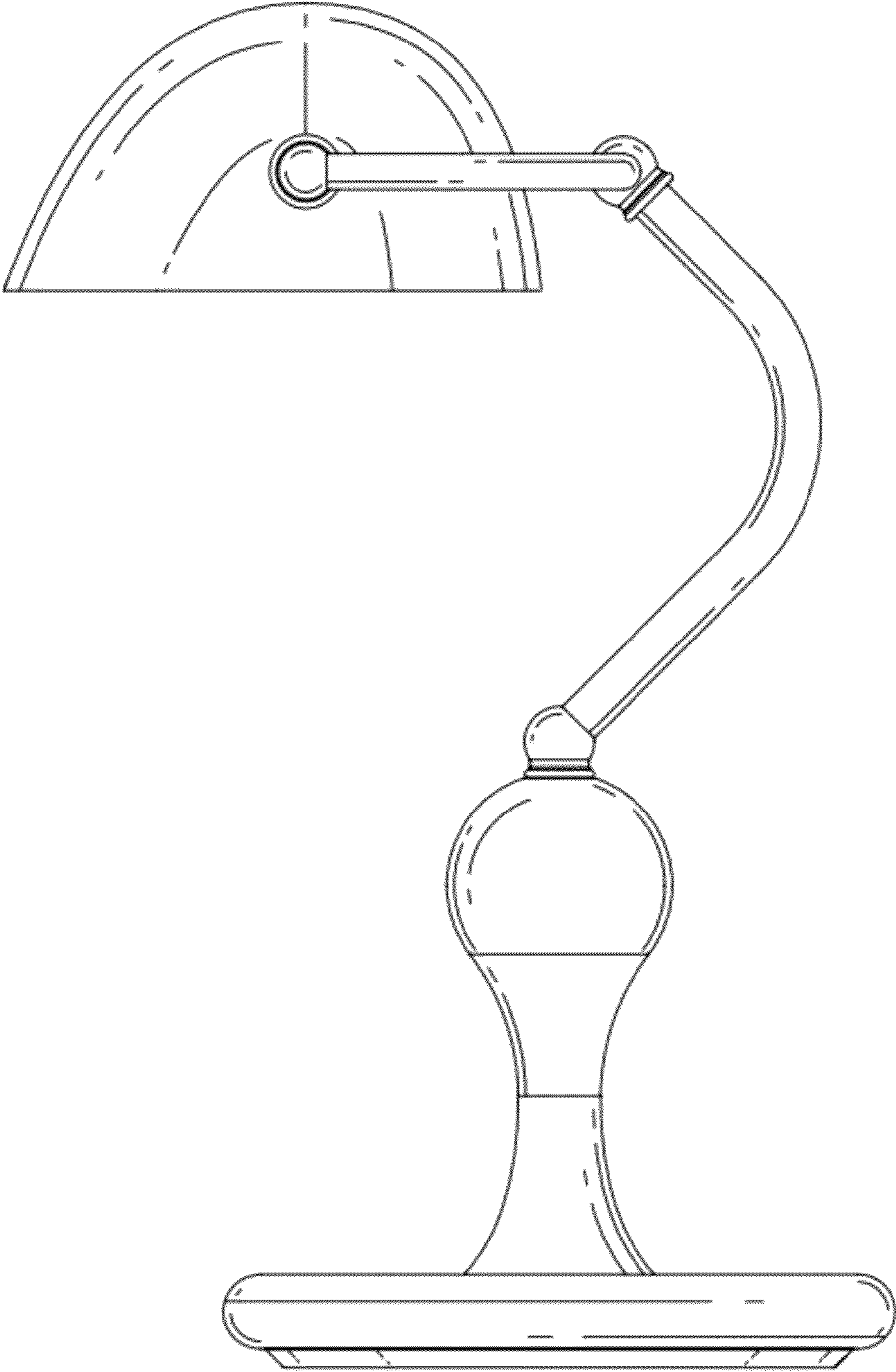


FIG.5

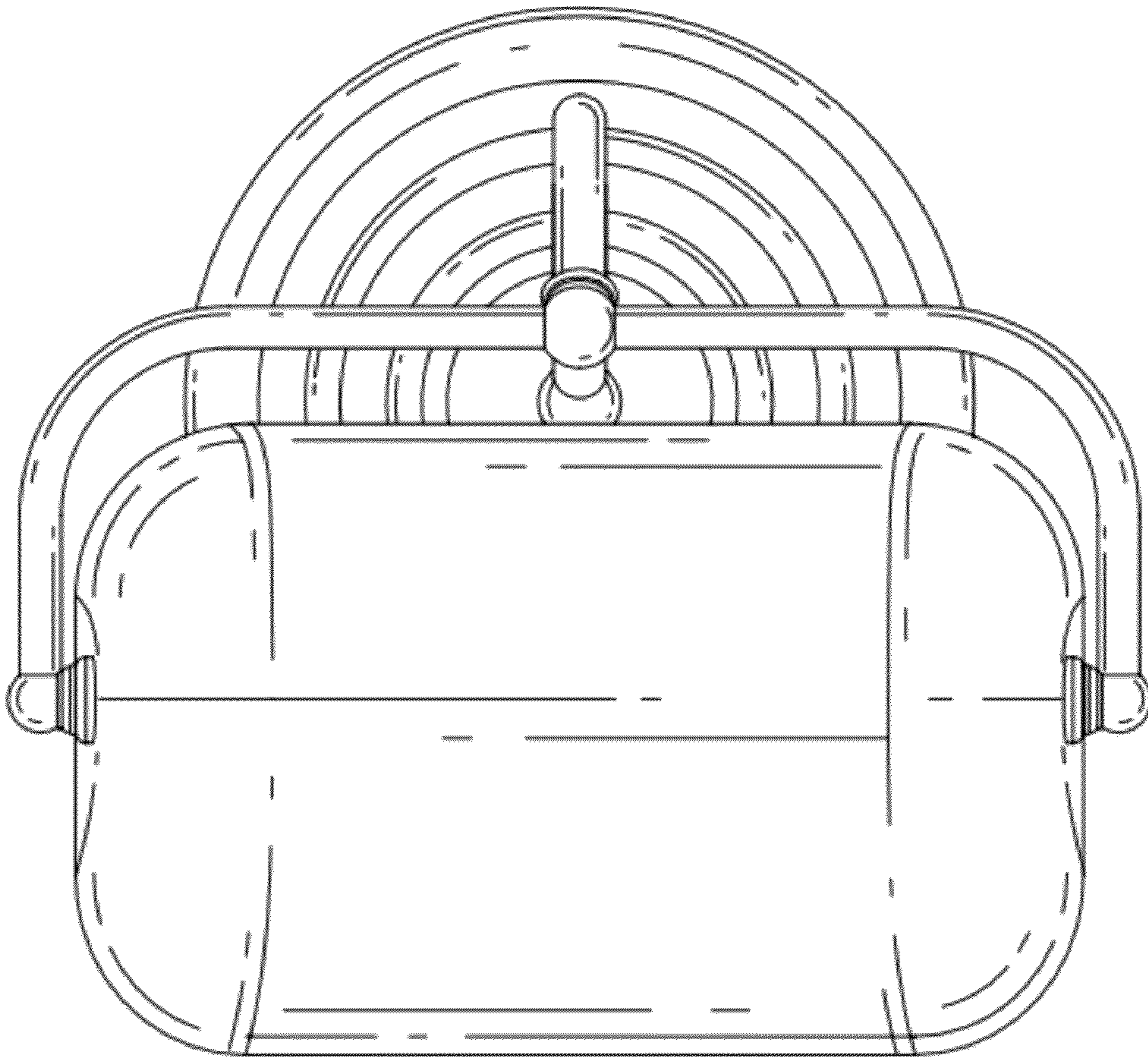


FIG.6

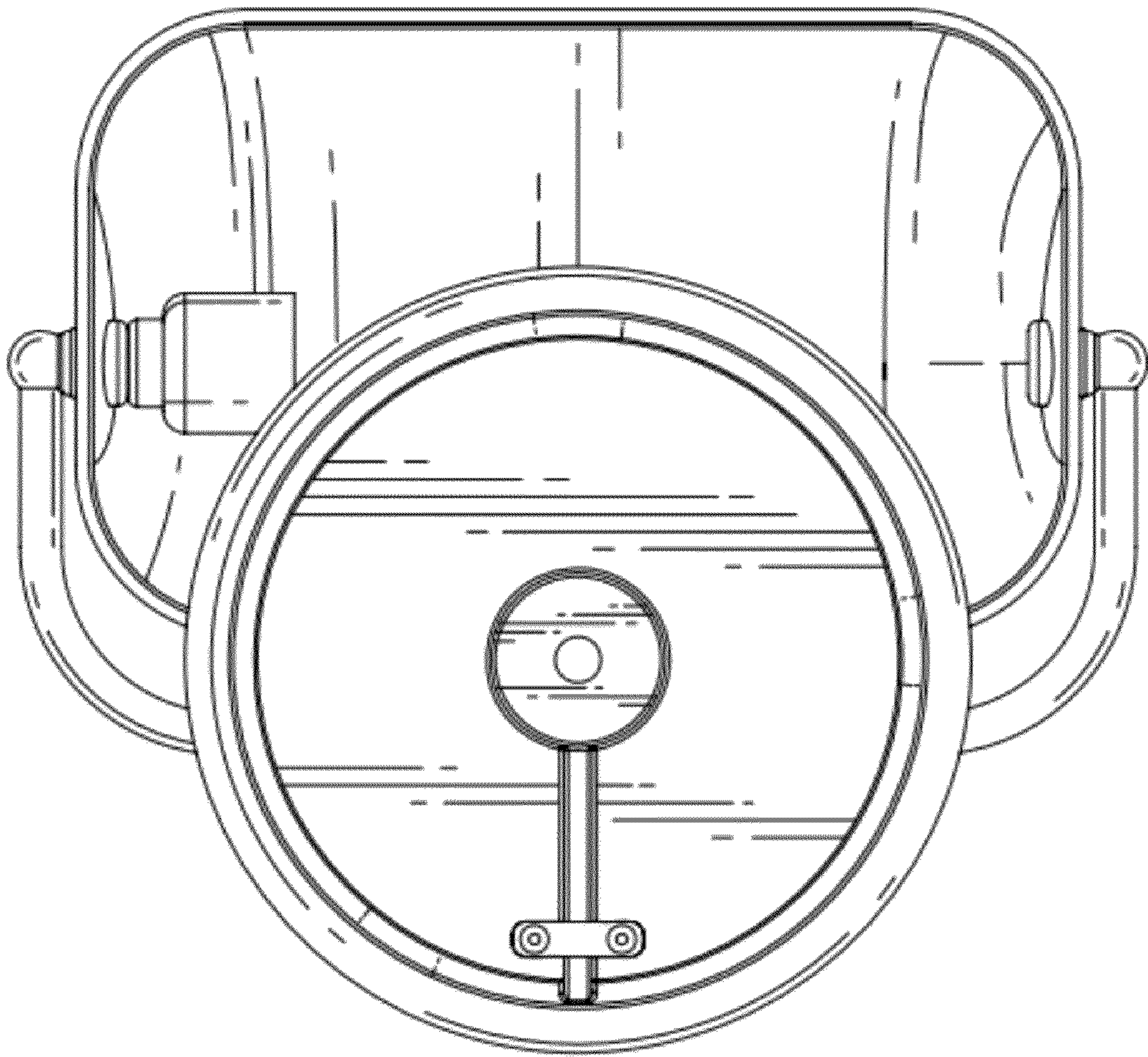


FIG.7



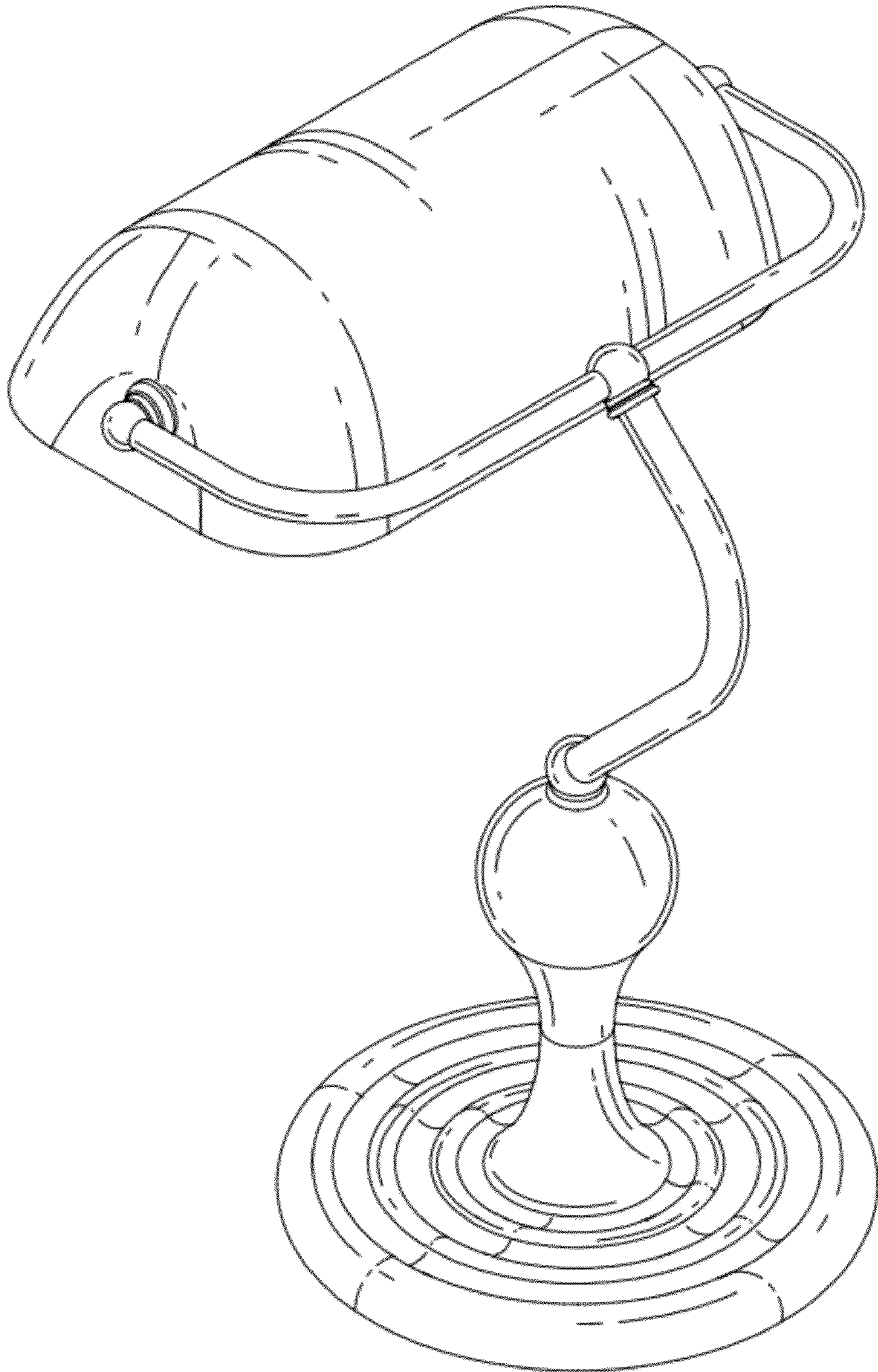


FIG.8

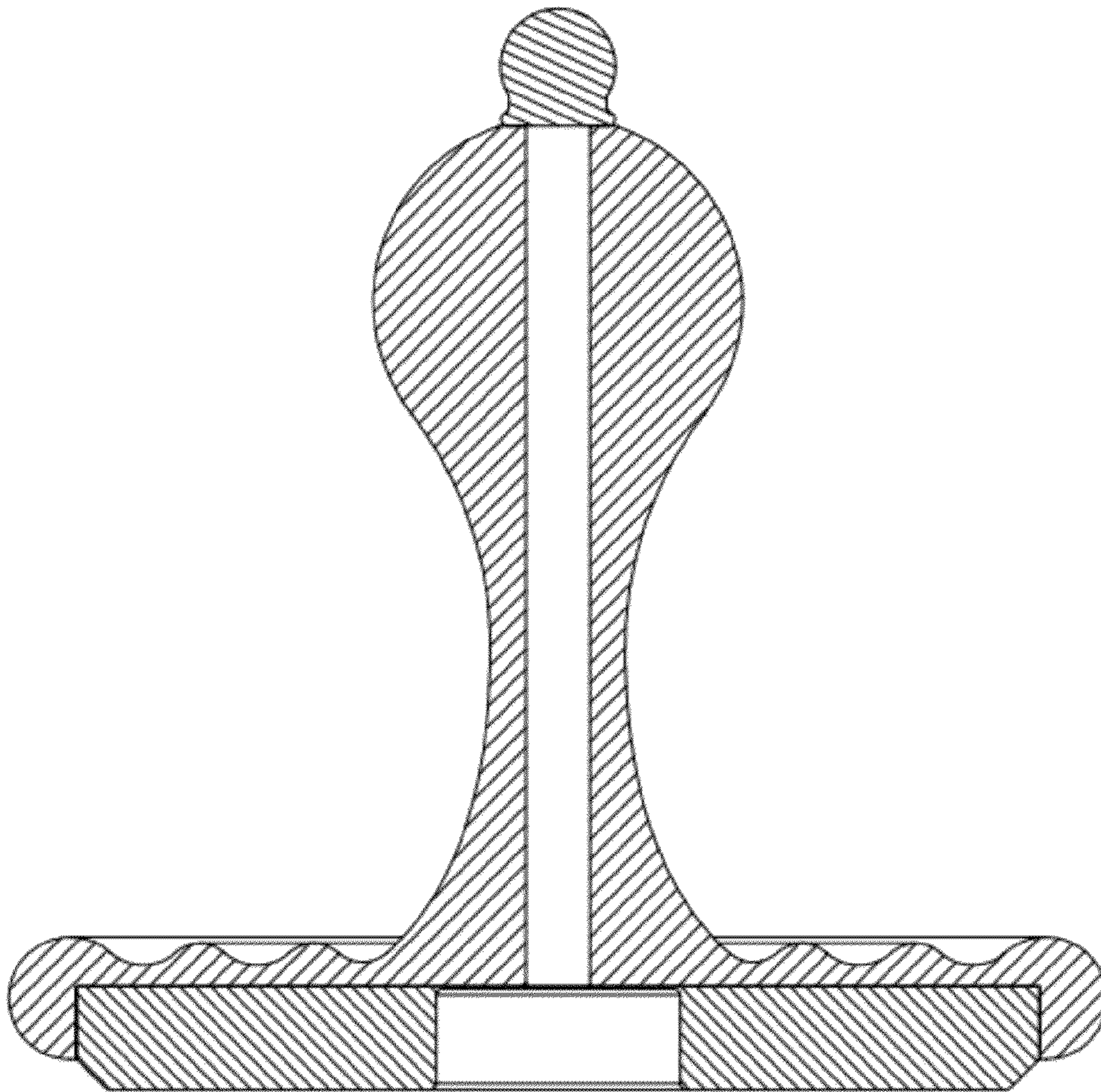


FIG.9

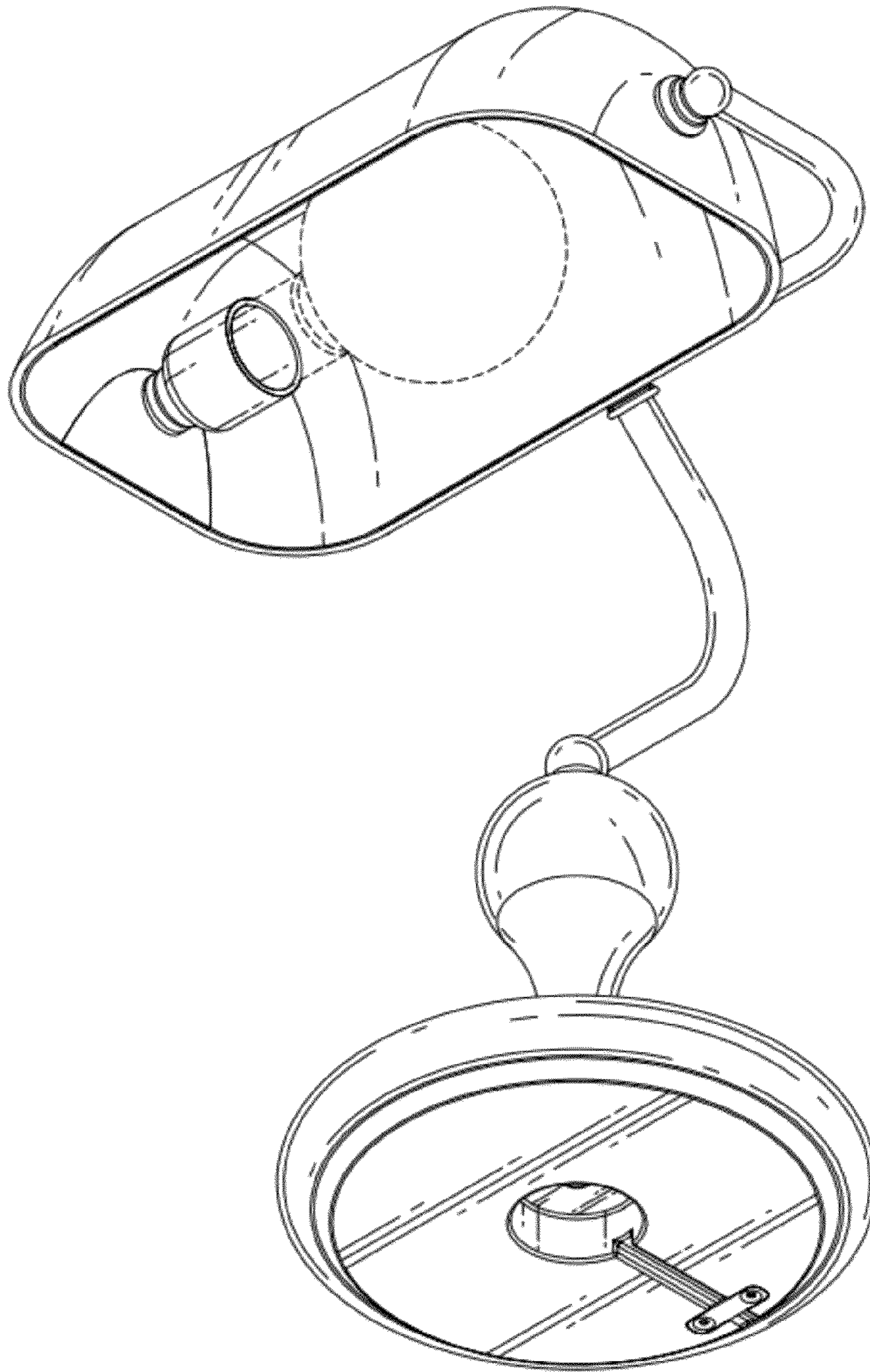


FIG.10