



US00D658324S

(12) **United States Design Patent**  
**Reimann et al.**

(10) **Patent No.:** **US D658,324 S**

(45) **Date of Patent:** **\*\* Apr. 24, 2012**

(54) **LANTERN**

(75) Inventors: **William James Reimann**, Boise, ID (US); **Jun Fang**, Guangdong (CN); **Wei Huang**, Guangdong (CN); **David C. Brands**, Portland, OR (US)

(73) Assignee: **Coast Cutlery Company**, Portland, OR (US)

(\*\*) Term: **14 Years**

(21) Appl. No.: **29/385,661**

(22) Filed: **Feb. 17, 2011**

(51) **LOC (9) Cl.** ..... **26-02**

(52) **U.S. Cl.** ..... **D26/40**

(58) **Field of Classification Search** ..... D26/37-42, D26/49; 362/157, 158, 183, 184, 171-178, 362/194-196, 202-208

See application file for complete search history.

(56) **References Cited**

**U.S. PATENT DOCUMENTS**

D486,598 S *	2/2004	Lo	.....	D26/40
D529,647 S *	10/2006	Shiu	.....	D26/40
D535,419 S *	1/2007	Shiu	.....	D26/40
D537,968 S *	3/2007	Shiu	.....	D26/40
D541,961 S *	5/2007	Tarter et al.	.....	D26/40
D546,488 S *	7/2007	Poon	.....	D26/40

D547,891 S *	7/2007	Shiu	.....	D26/40
D548,381 S *	8/2007	Tremeer	.....	D26/40
D559,418 S *	1/2008	Poon	.....	D26/40
D599,923 S *	9/2009	Shiu	.....	D26/40
D638,152 S *	5/2011	Leung	.....	D26/40
D643,560 S *	8/2011	Tompkin	.....	D26/40

\* cited by examiner

*Primary Examiner* — Ian Simmons

*Assistant Examiner* — Carissa C Fitts

(74) *Attorney, Agent, or Firm* — Schwabe, Williamson & Wyatt, P.C.

(57) **CLAIM**

The ornamental design for a lantern, as shown and described.

**DESCRIPTION**

FIG. 1 is a perspective view of one embodiment of the present invention;

FIG. 2 is a front elevation view of the embodiment of FIG. 1;

FIG. 3 is a rear elevation view of the embodiment of FIG. 1;

FIG. 4 is a side elevation view of the embodiment of FIG. 1;

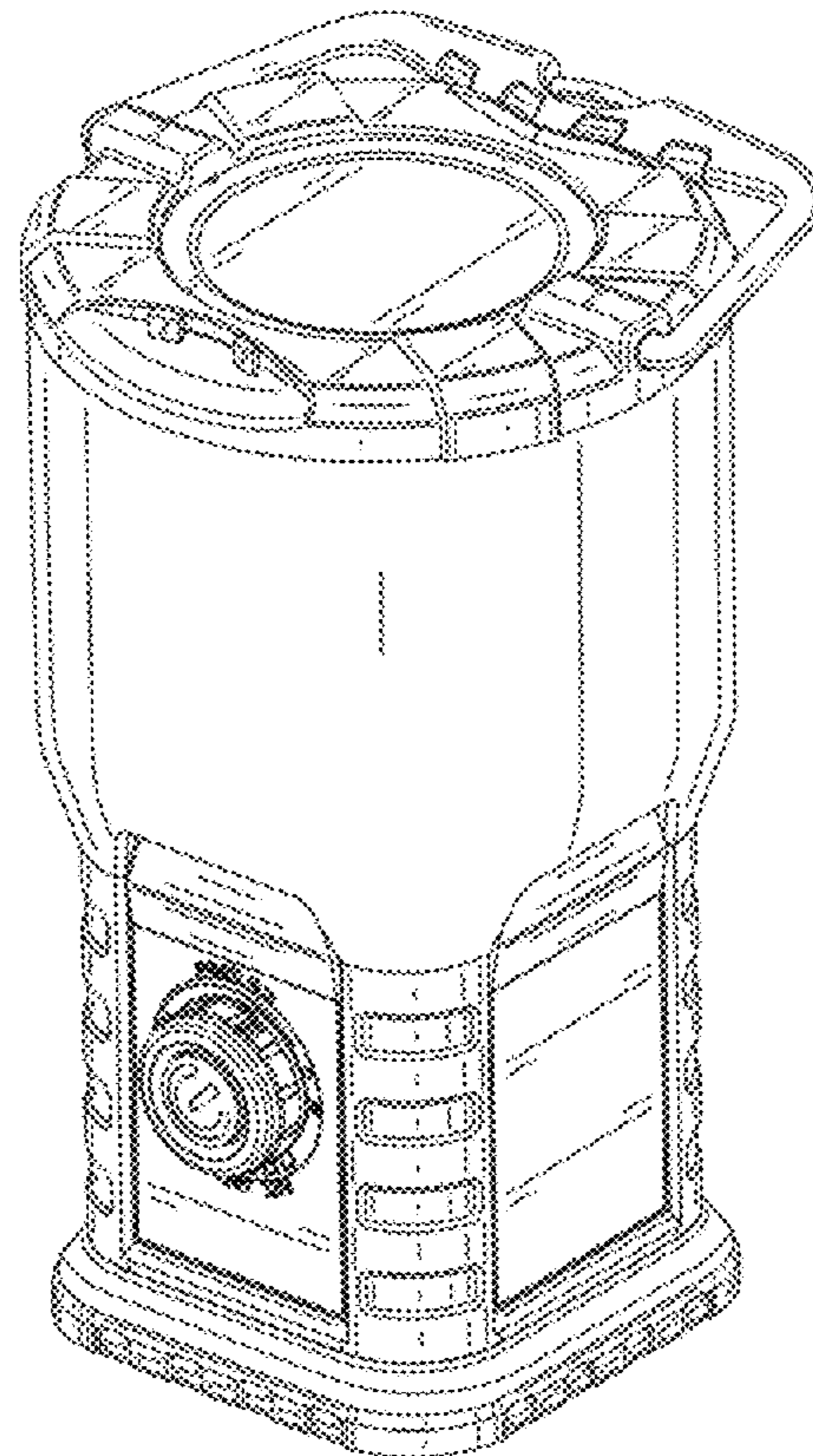
FIG. 5 is a side elevation view of the embodiment of FIG. 1 and the opposite side of FIG. 4;

FIG. 6 is a top plan view of the embodiment of FIG. 1; and,

FIG. 7 is a bottom elevation view of the embodiment of FIG. 1.

1.

**1 Claim, 6 Drawing Sheets**



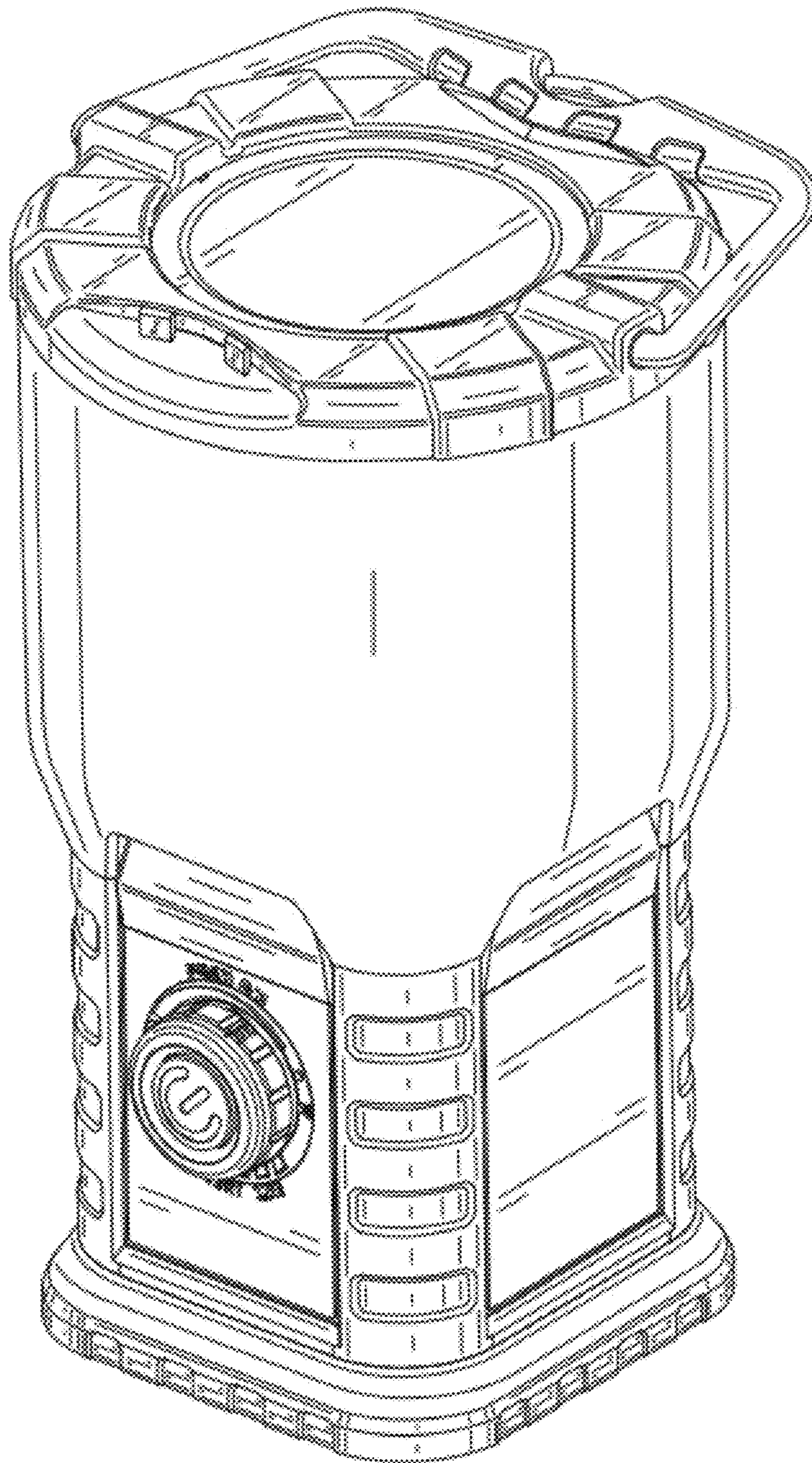


FIG. 1

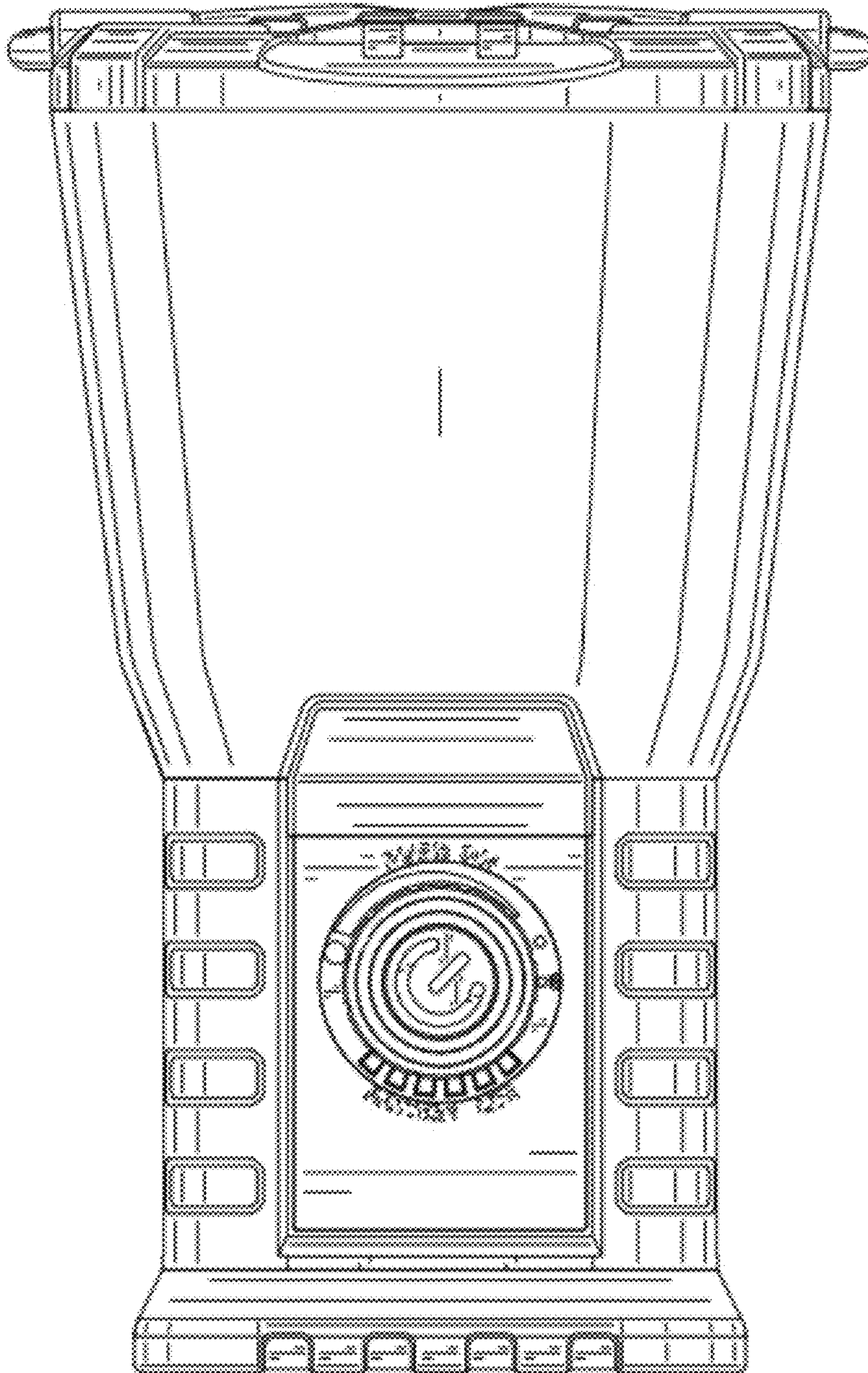


FIG. 2

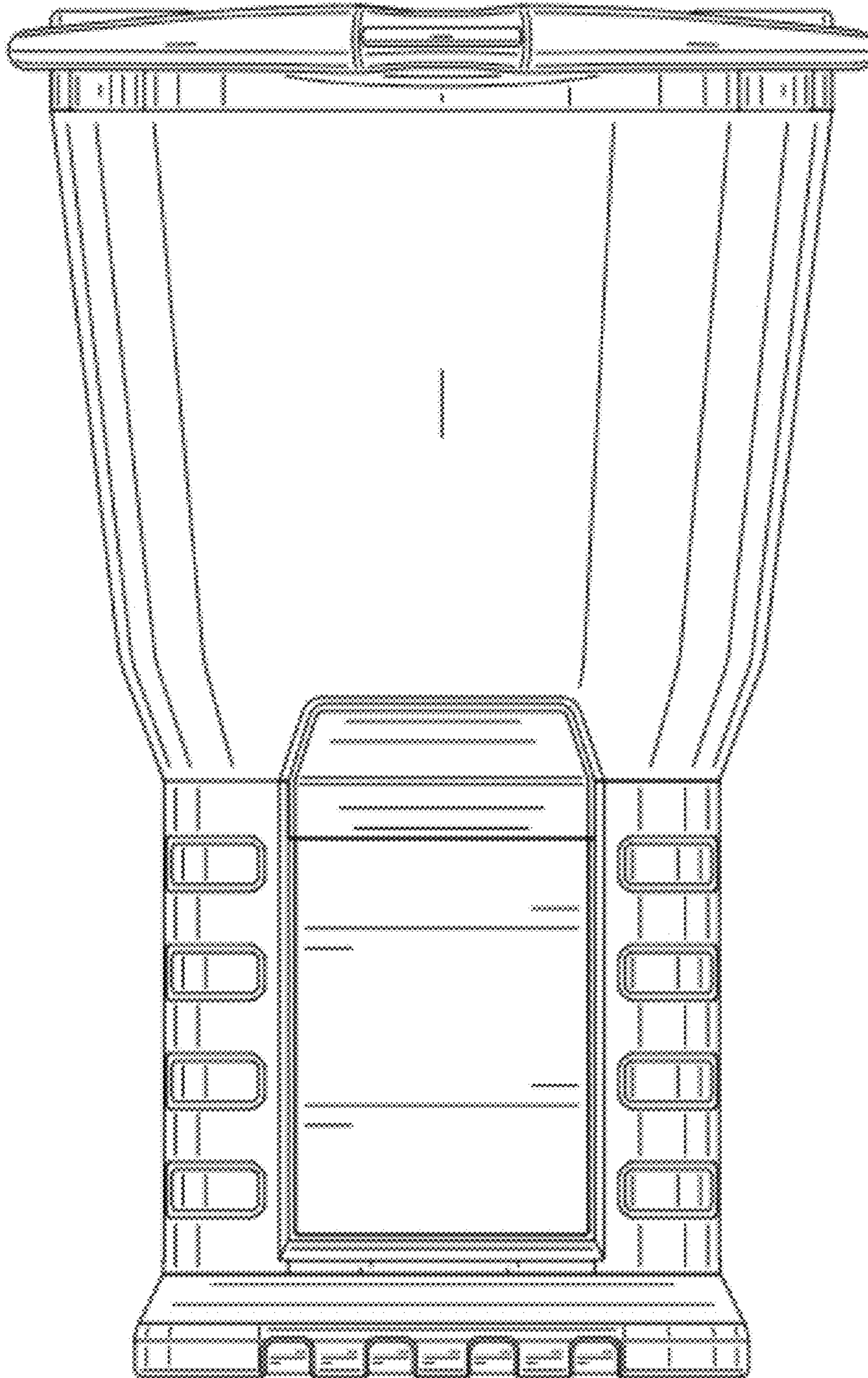


FIG. 3

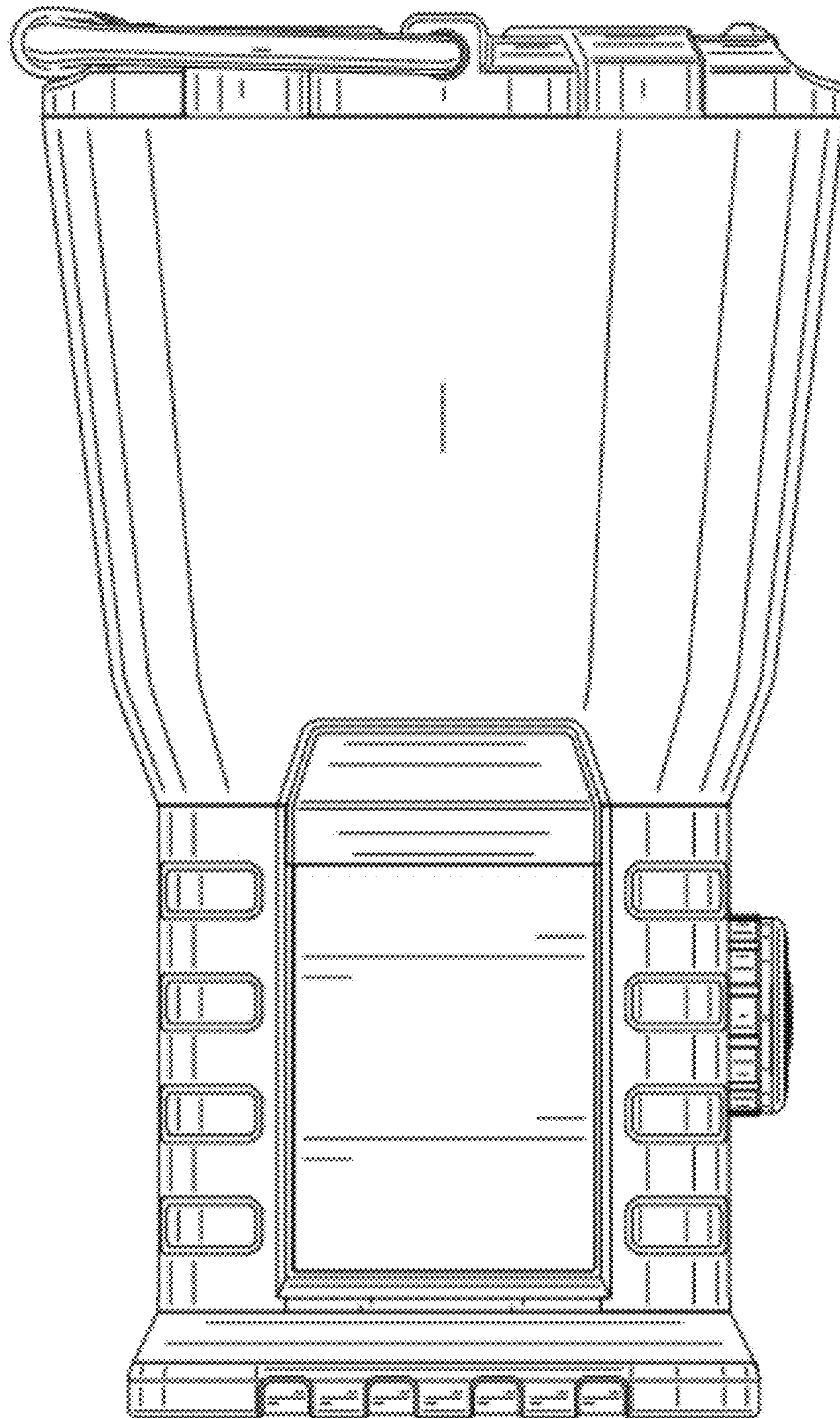


FIG. 4

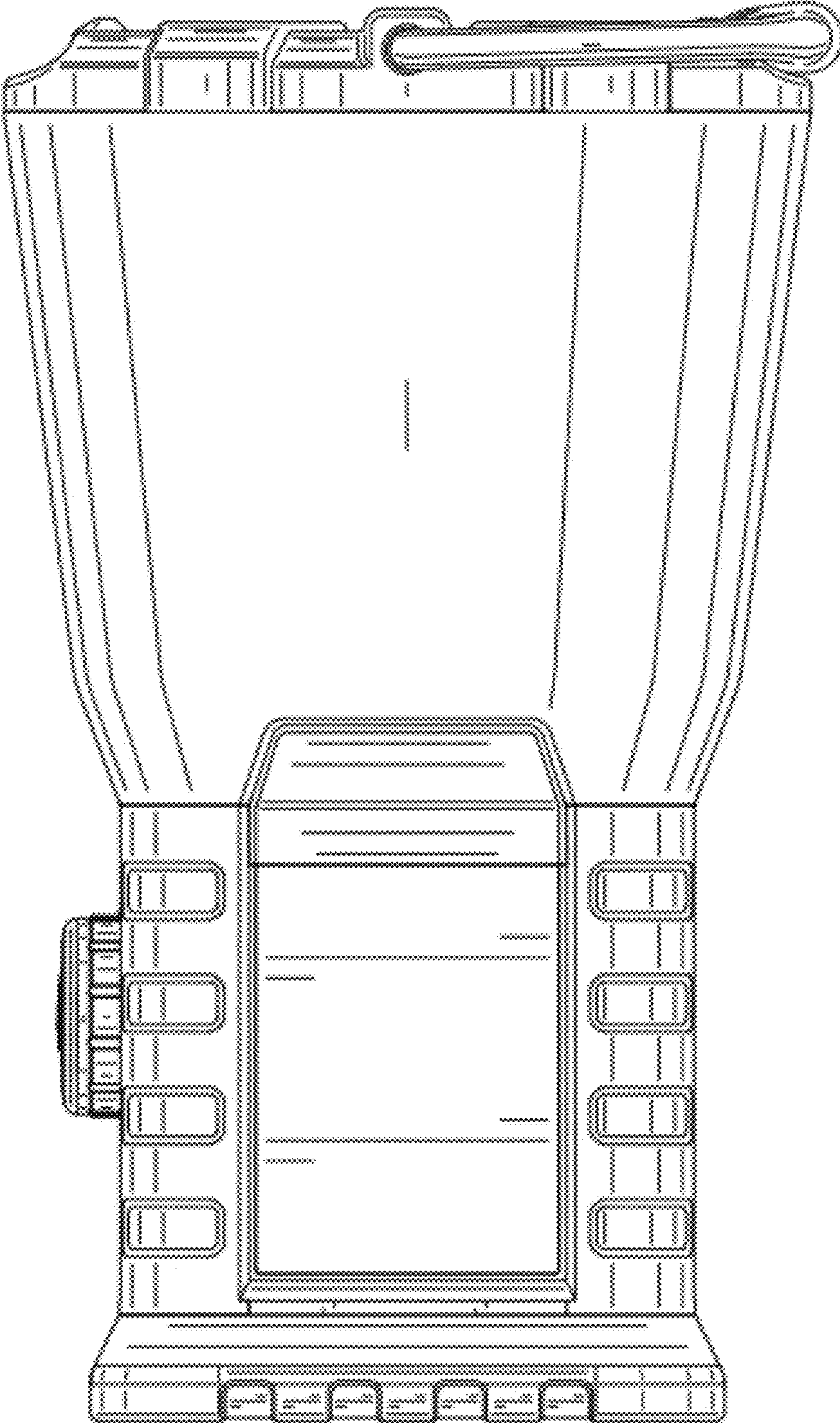


FIG. 5

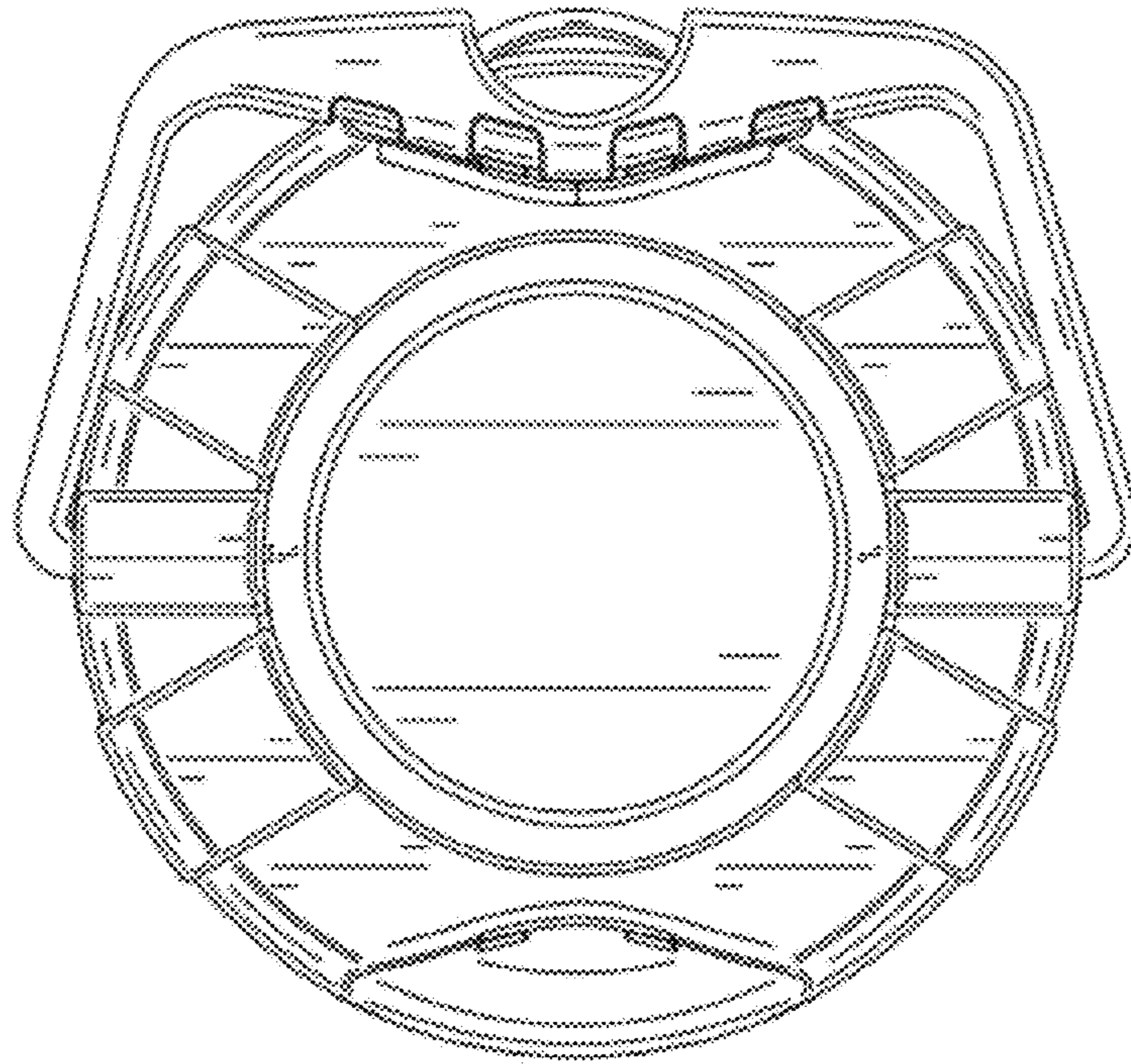


FIG. 6

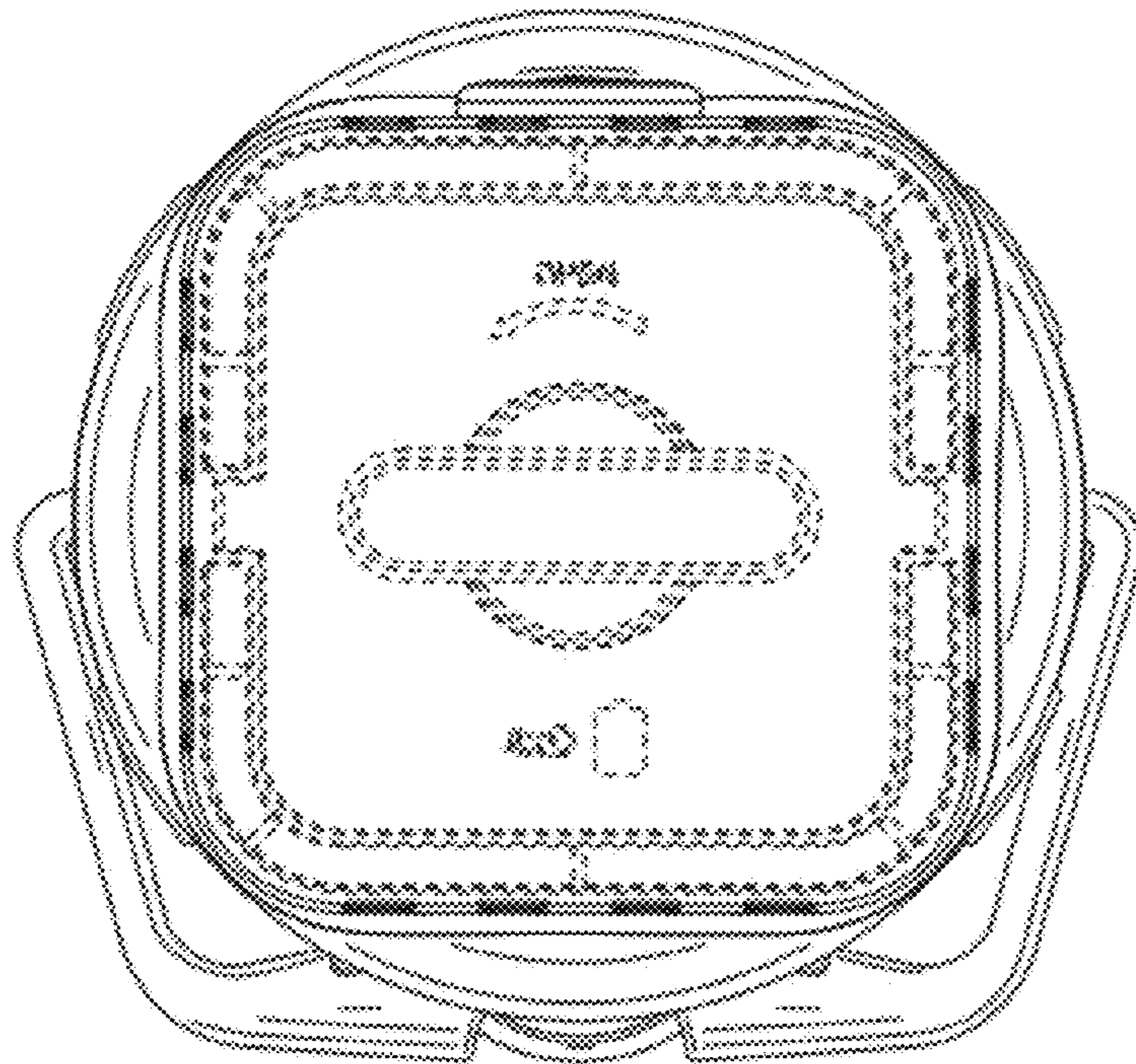


FIG. 7