



US00D658323S

(12) **United States Design Patent**  
**Freschl**

(10) **Patent No.:** **US D658,323 S**  
(45) **Date of Patent:** **\*\* Apr. 24, 2012**

(54) **PORTABLE ILLUMINATING DEVICE**

(75) Inventor: **Daniel Joel Freschl**, Berkeley, CA (US)

(73) Assignee: **Daniel J. Freschl**, Berkeley, CA (US)

(\*\*) Term: **14 Years**

(21) Appl. No.: **29/396,362**

(22) Filed: **Jun. 29, 2011**

(51) **LOC (9) Cl.** ..... **26-02**

(52) **U.S. Cl.** ..... **D26/39**

(58) **Field of Classification Search** ..... D26/37,  
D26/38, 39, 46, 49; 362/103–105, 157, 158,  
362/183, 184, 194–196, 200–208  
See application file for complete search history.

(56) **References Cited**

**U.S. PATENT DOCUMENTS**

D477,680 S	7/2003	Petzl	
D527,127 S *	8/2006	Petzl	D26/39
D555,265 S *	11/2007	Shiu	D26/39
D560,008 S *	1/2008	Poon	D26/39
D566,310 S *	4/2008	Alessio	D26/39
D568,510 S *	5/2008	Shiu	D26/39
D573,736 S *	7/2008	Poon	D26/39
D576,328 S *	9/2008	Poon	D26/39
D577,842 S	9/2008	Kumthampinij	

D590,083 S *	4/2009	Petzl	D26/39
D595,883 S	7/2009	Petzl	
2008/0205036 A1 *	8/2008	Tarter et al.	362/105

\* cited by examiner

*Primary Examiner* — Ian Simmons  
*Assistant Examiner* — Carissa C Fitts

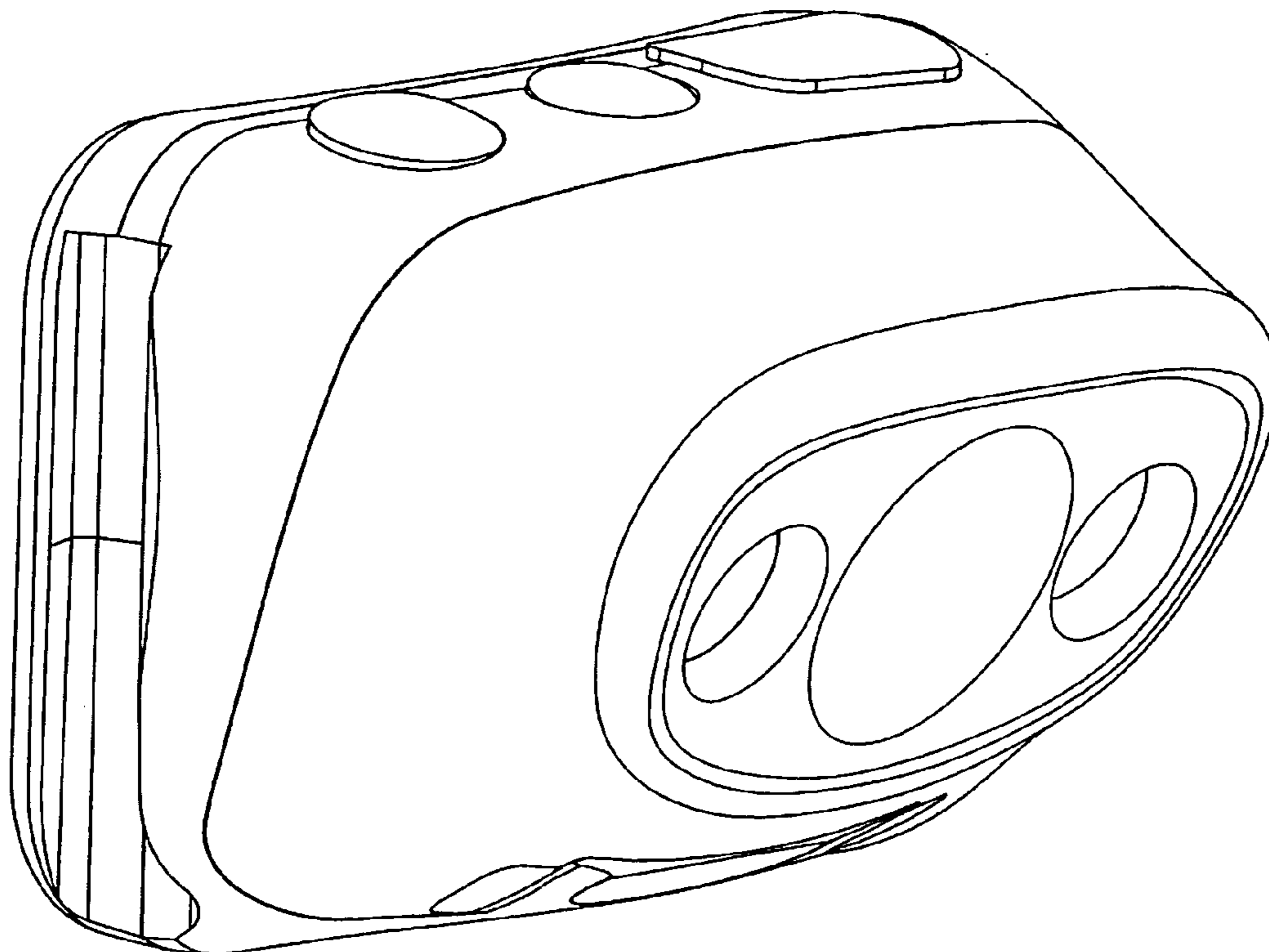
(57) **CLAIM**

I claim the ornamental design for a portable illuminating device, as shown and described.

**DESCRIPTION**

FIG. 1 is a perspective view of a portable illuminating device, showing my new design;  
FIG. 2 is a right side elevation view thereof, the left side elevation view being the same;  
FIG. 3 is a front elevation view thereof;  
FIG. 4 is a top plan view thereof;  
FIG. 5 is a bottom plan view thereof;  
FIG. 6 is an additional perspective view thereof;  
FIG. 7 is a perspective view of a portable illuminating device in an extended position;  
FIG. 8 is a right side elevation view thereof, the left side elevation view being the same;  
FIG. 9 is a front elevation view thereof;  
FIG. 10 is a top plan view thereof; and,  
FIG. 11 is a bottom plan view thereof.

**1 Claim, 11 Drawing Sheets**



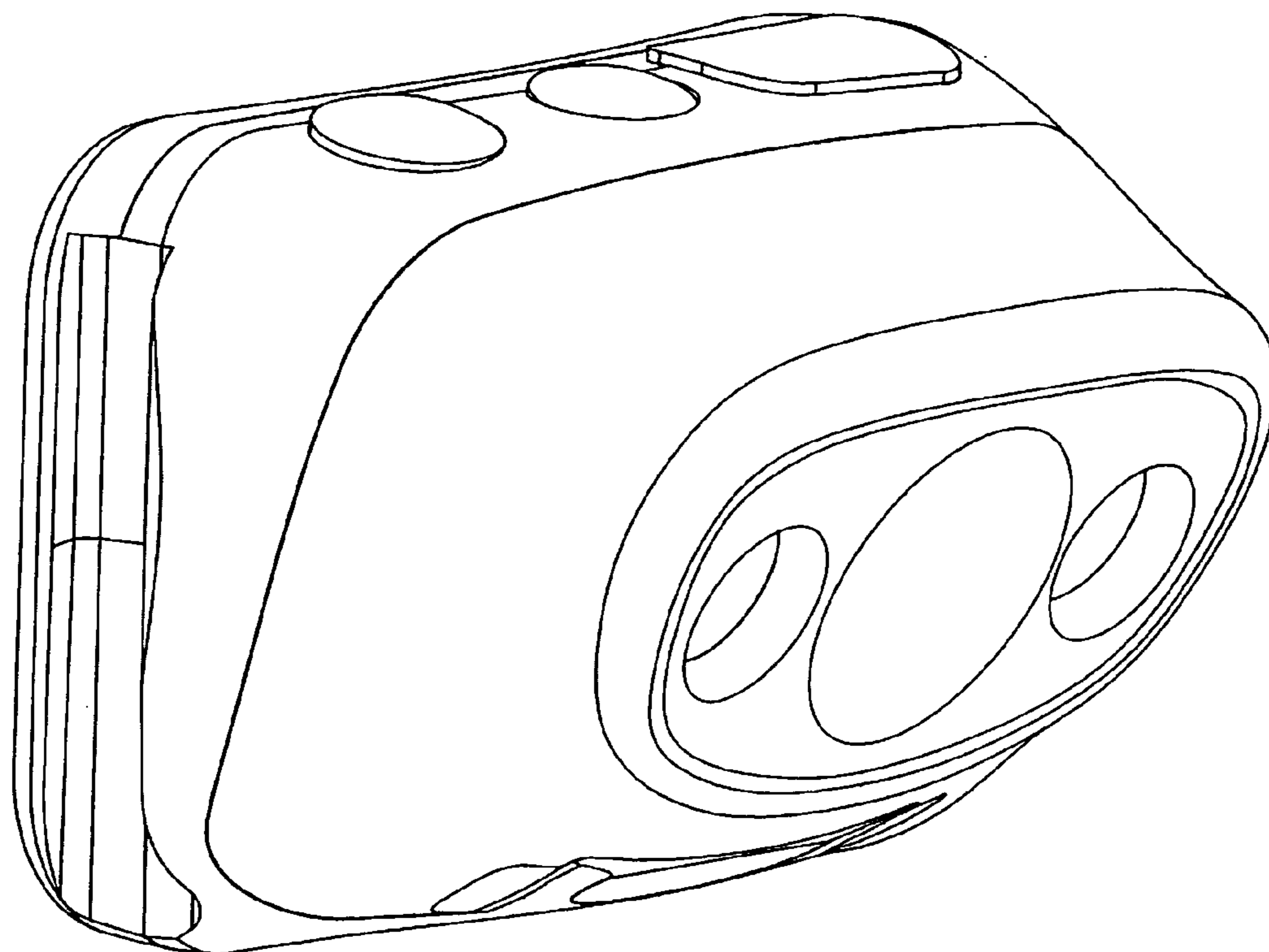


FIG. 1

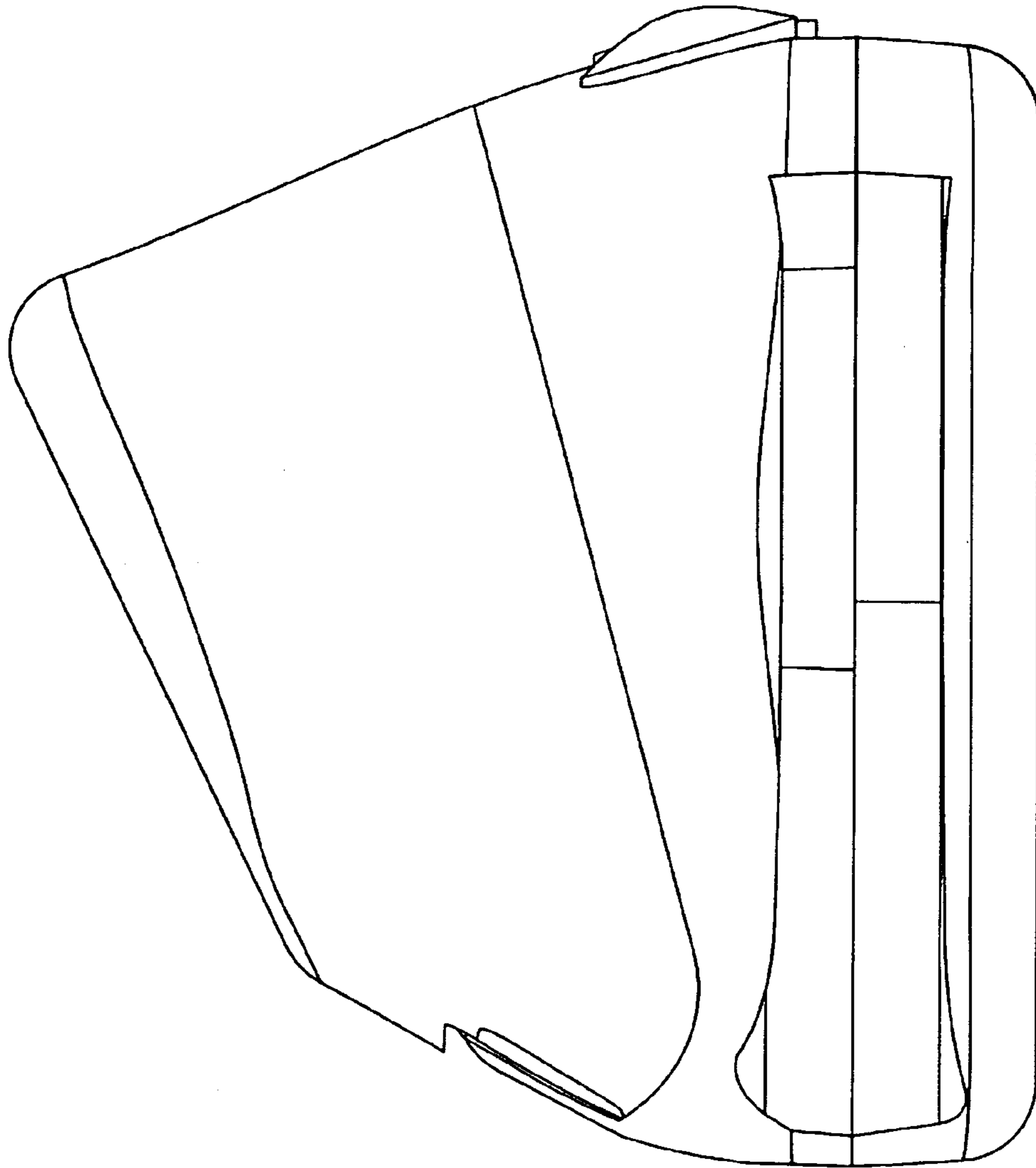


FIG. 2

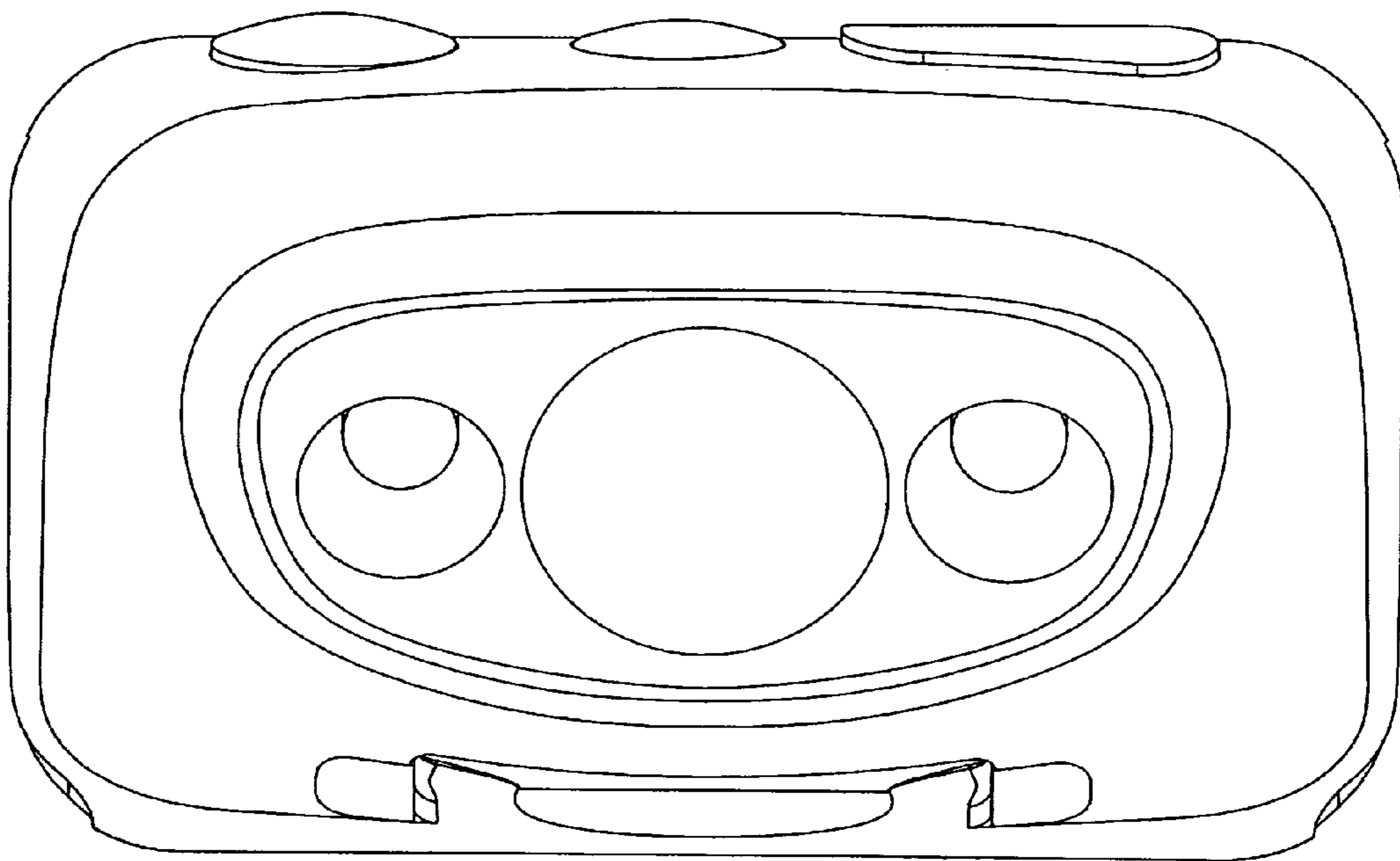


FIG. 3

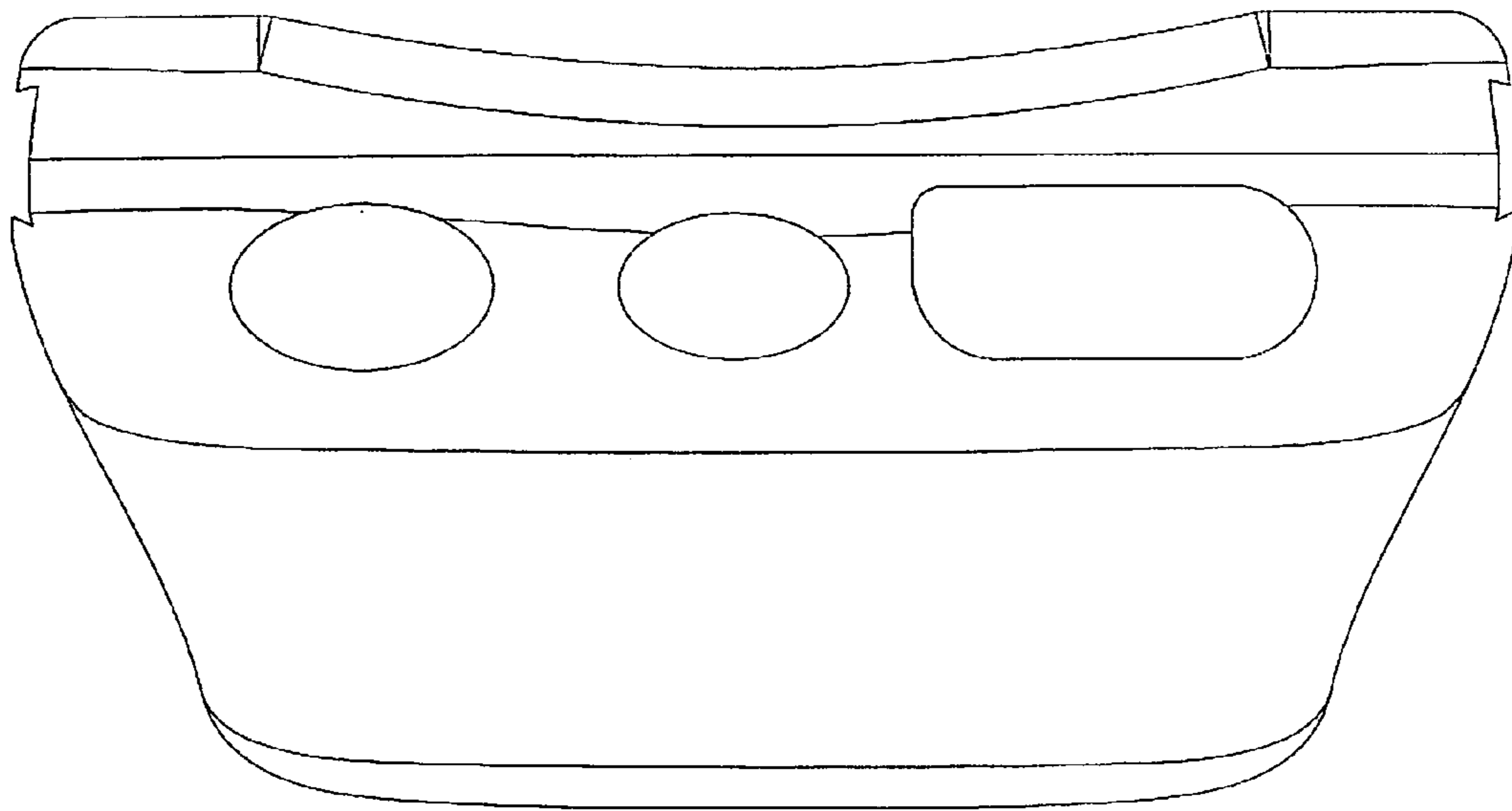


FIG. 4

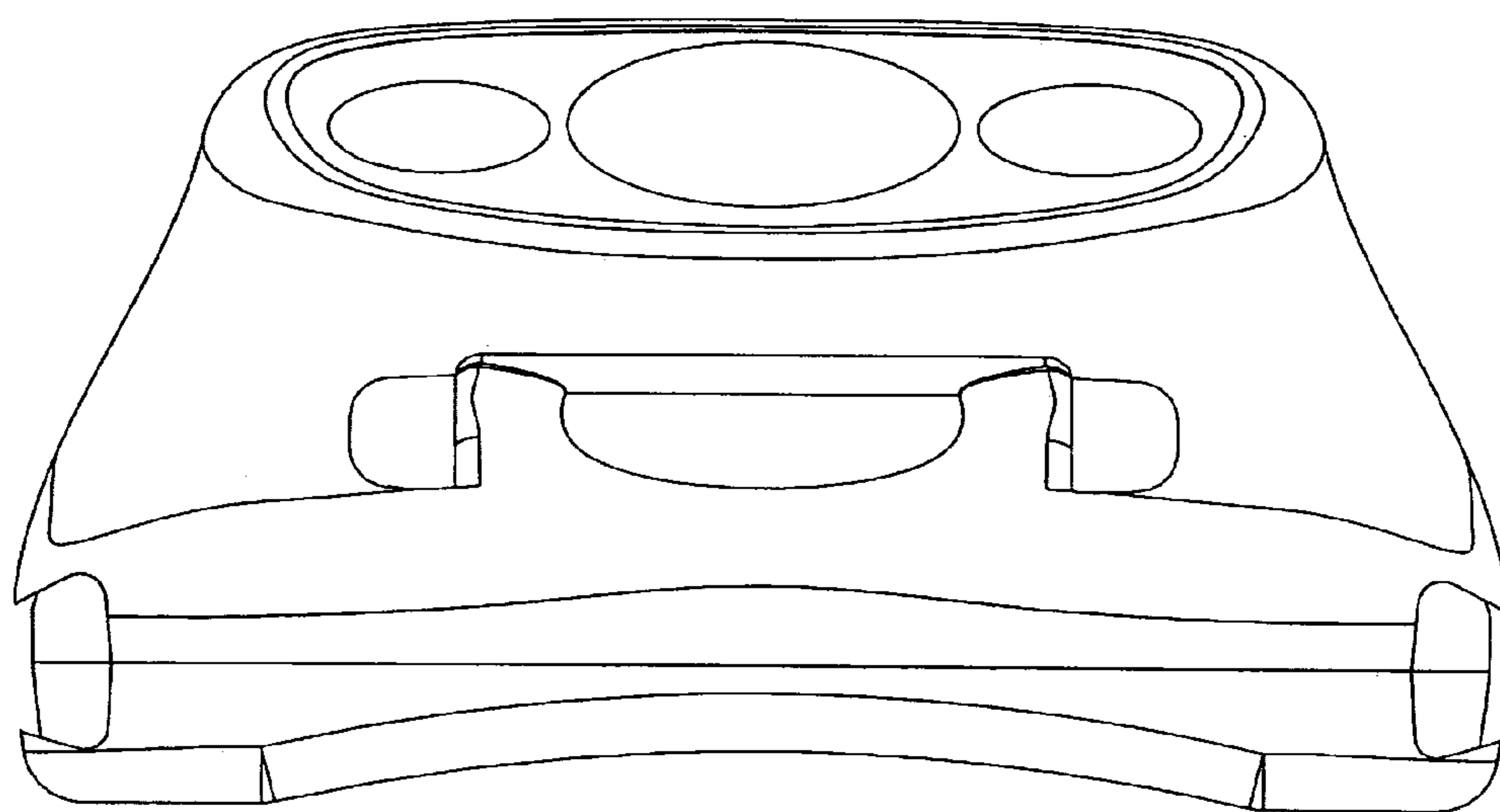


FIG. 5

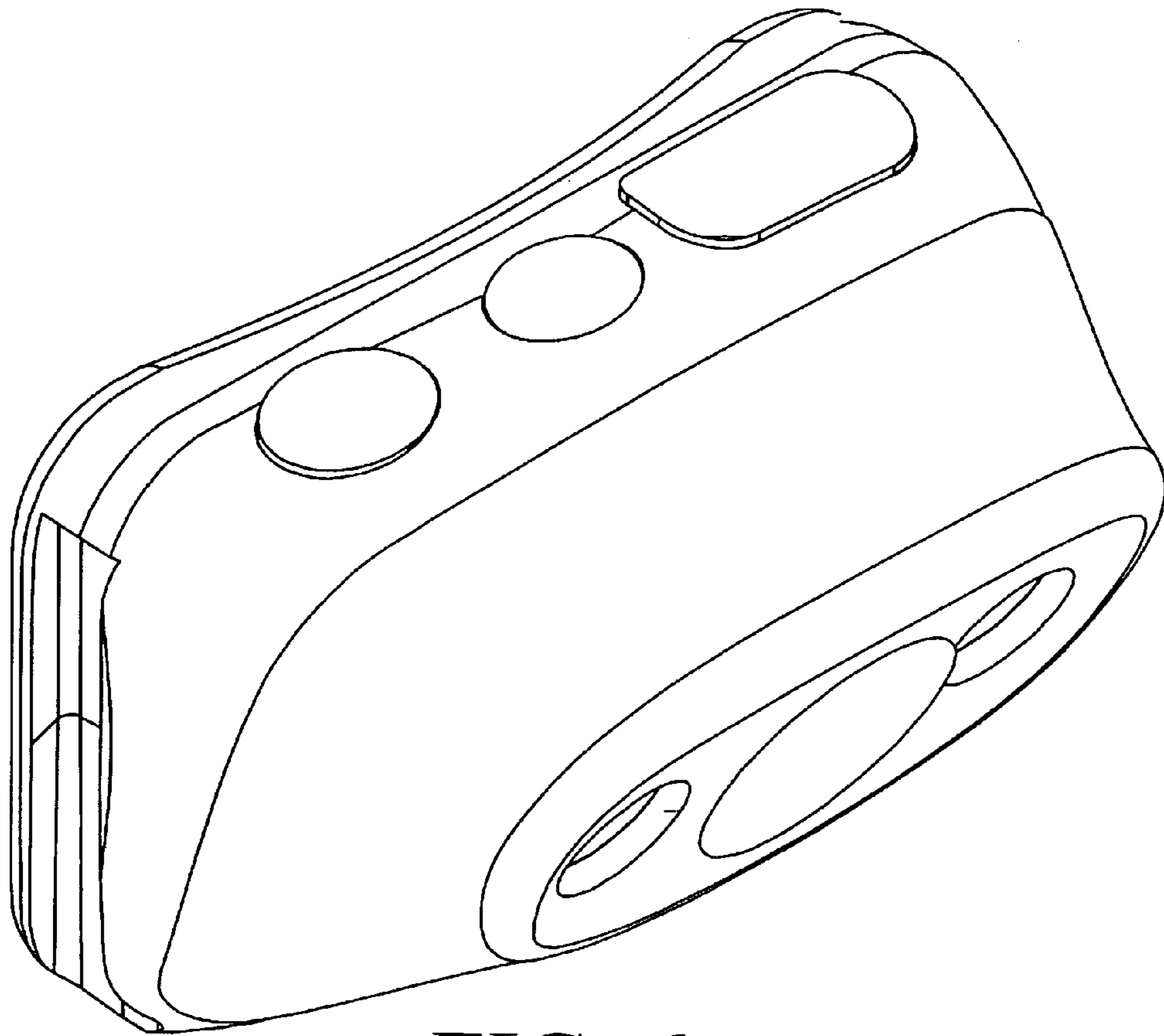


FIG. 6



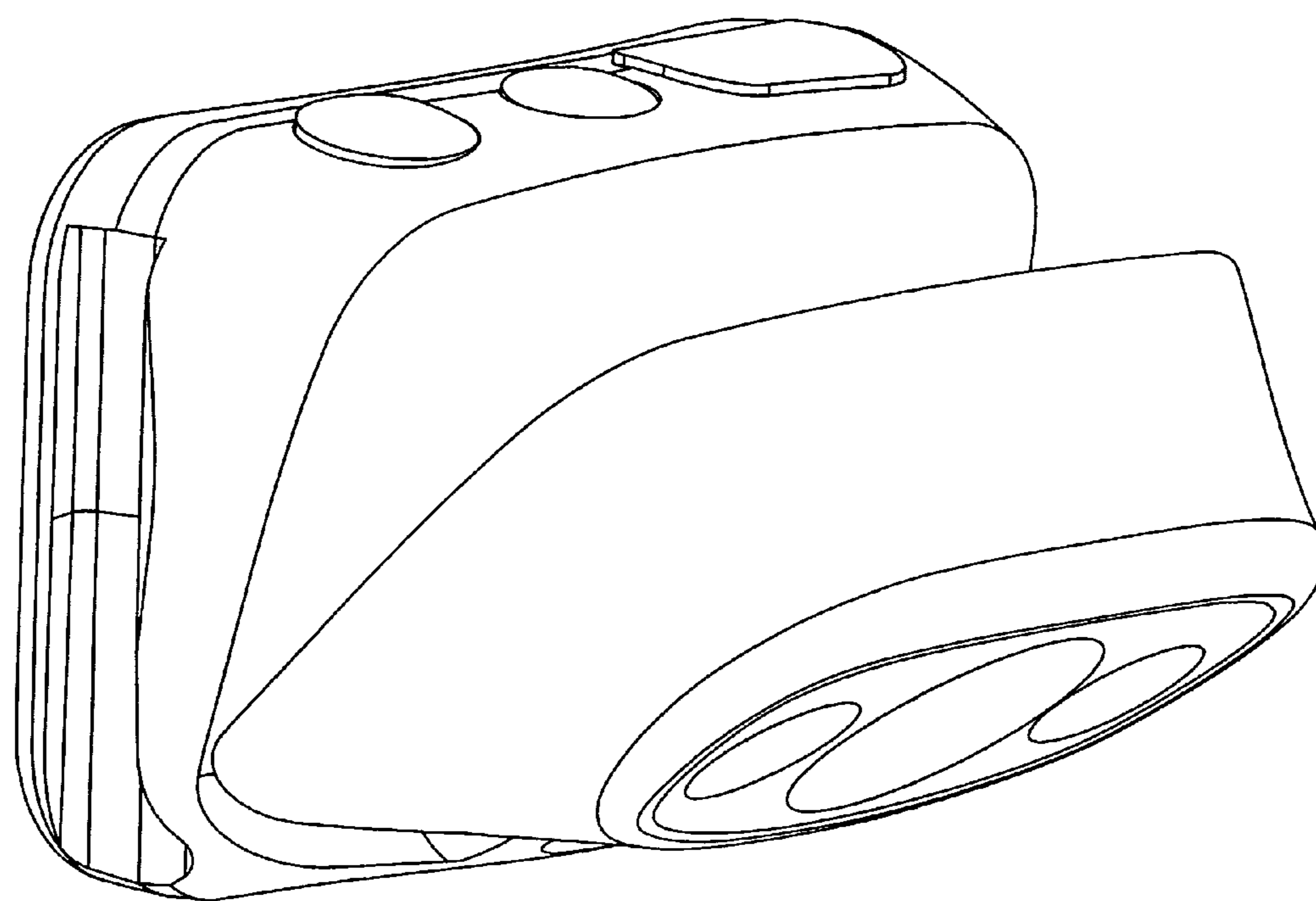


FIG. 7



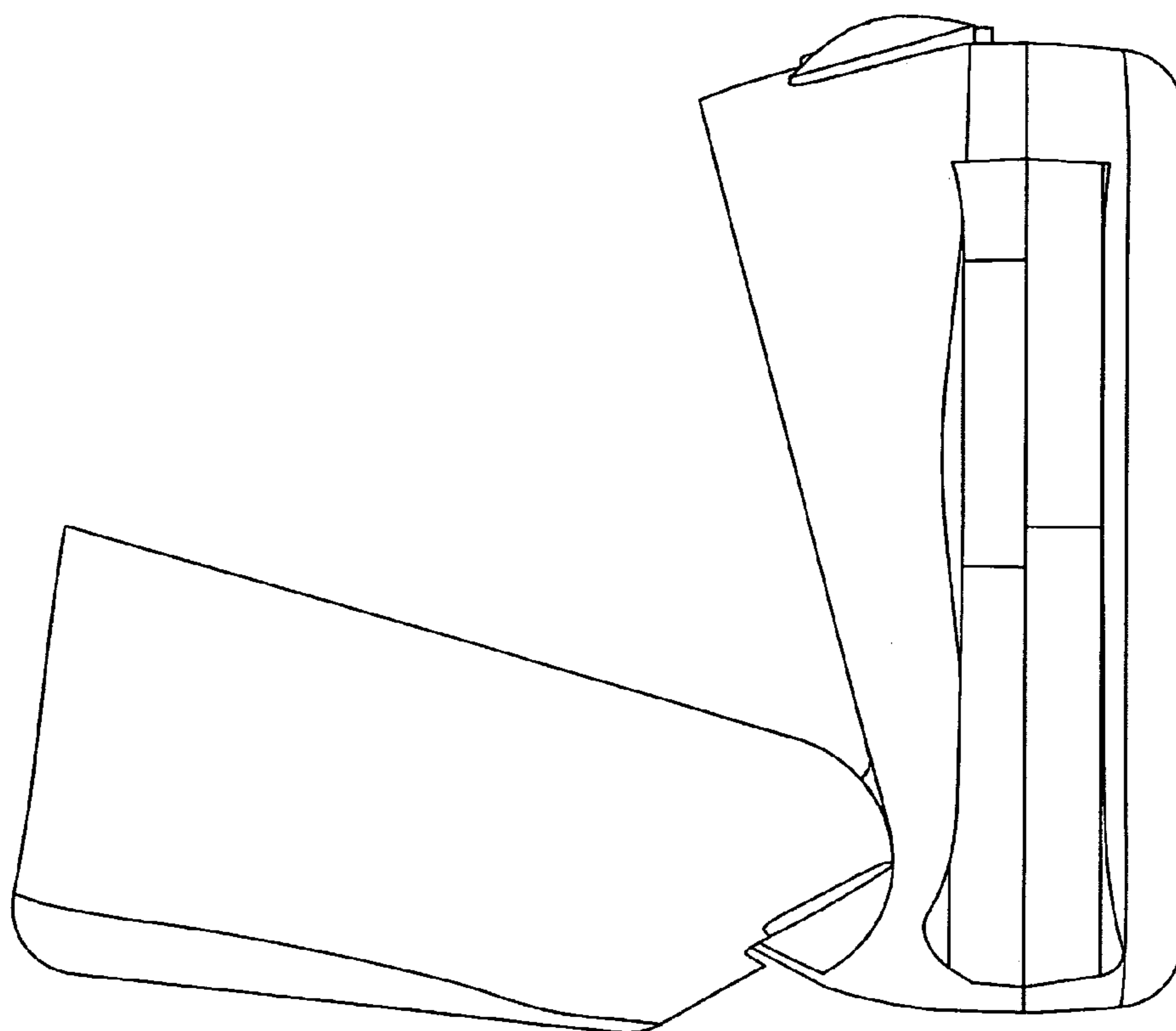


FIG. 8

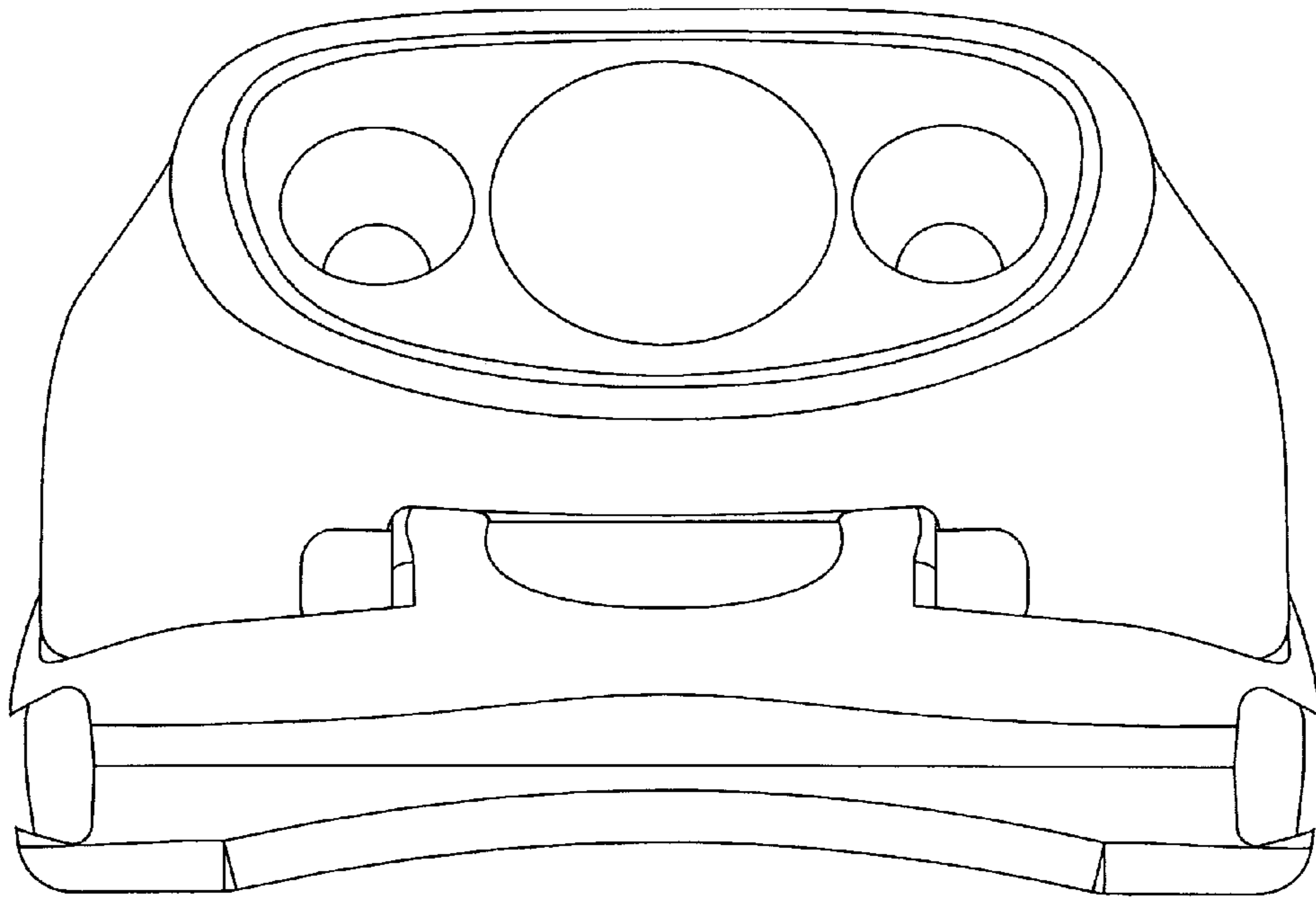


FIG. 9

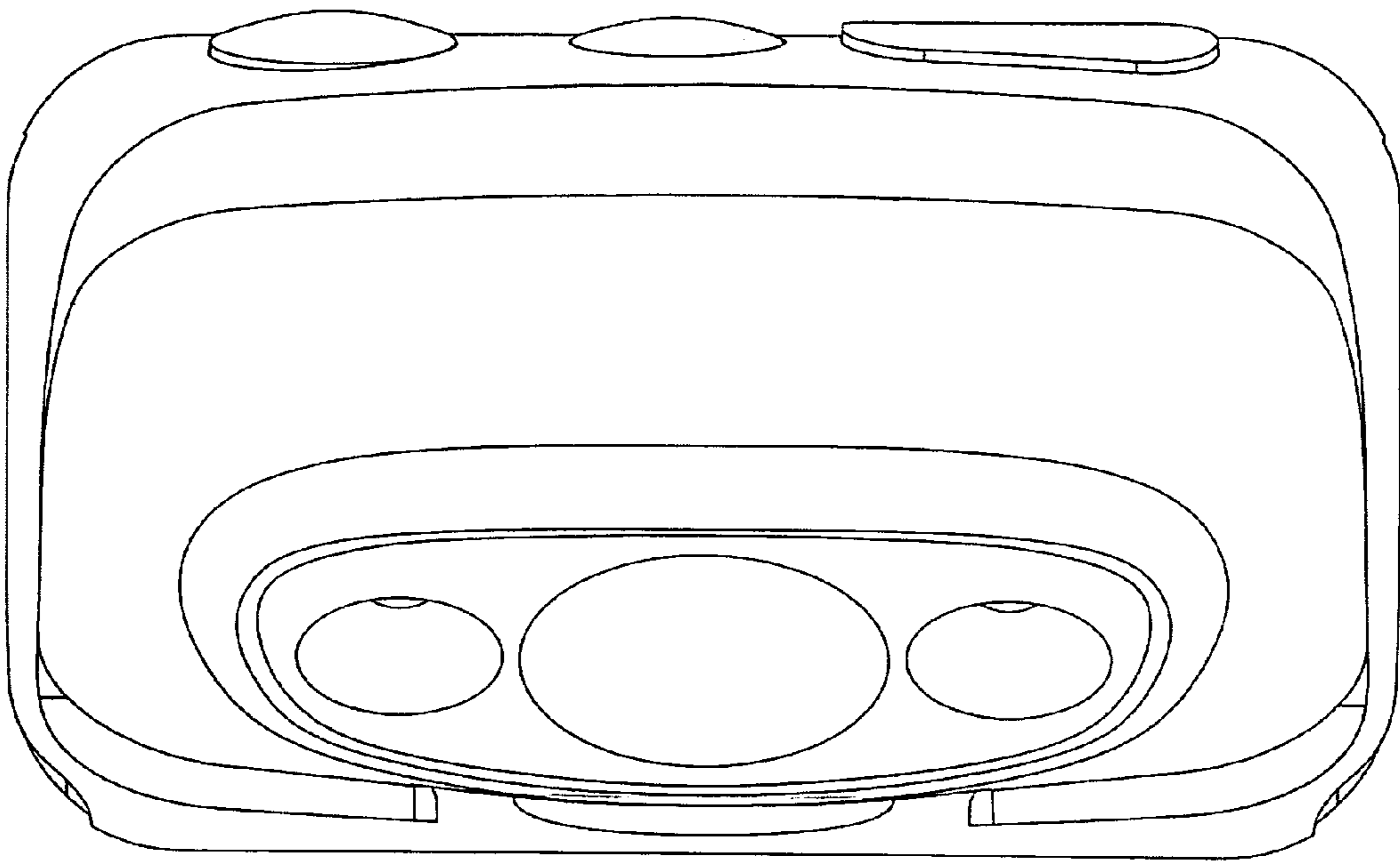


FIG. 10

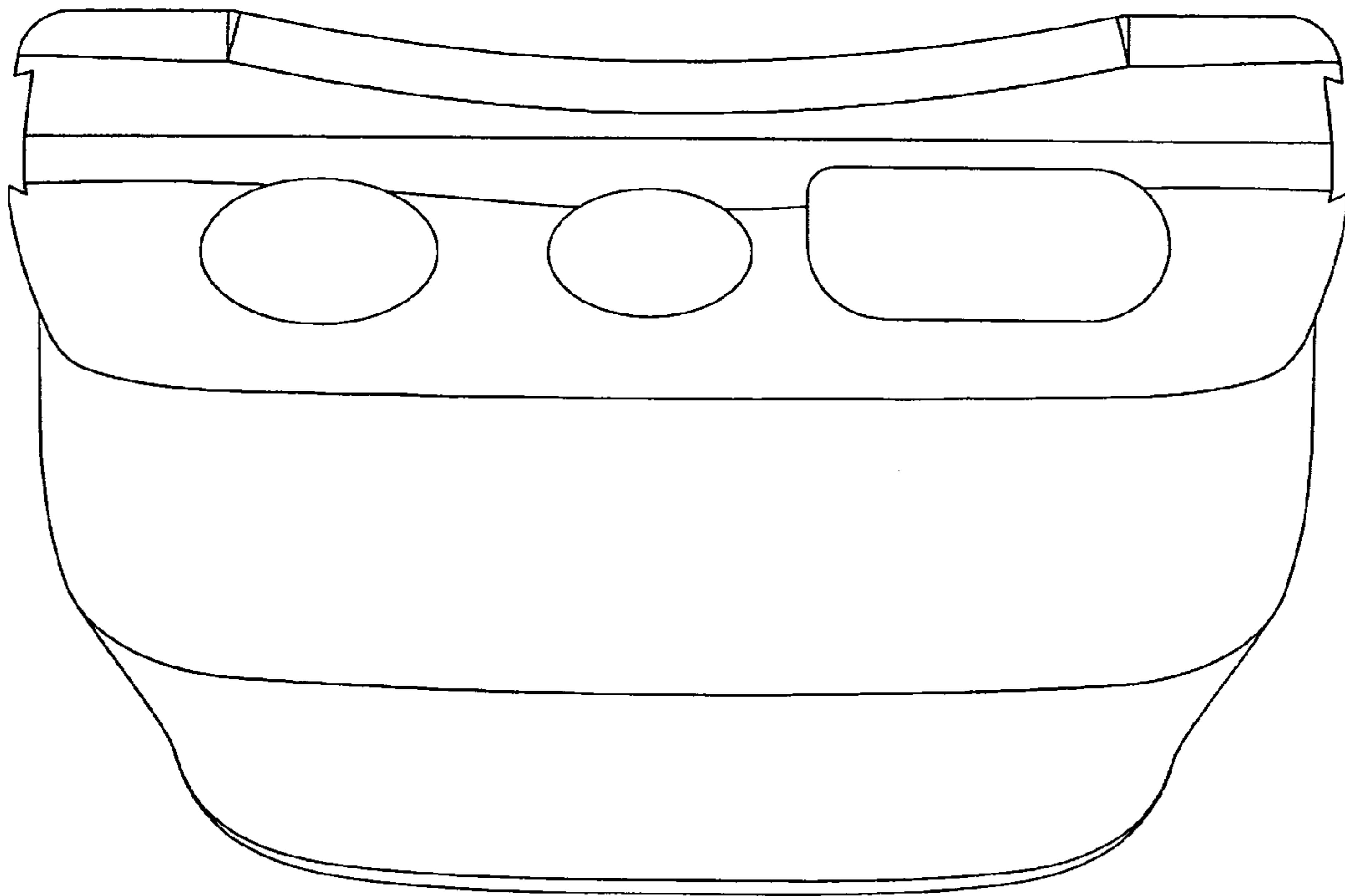


FIG. 11