



US00D658320S

(12) **United States Design Patent**  
**Goplen**

(10) **Patent No.:** **US D658,320 S**

(45) **Date of Patent:** **\*\* Apr. 24, 2012**

(54) **HEADLIGHT FOR A VEHICLE**

(74) *Attorney, Agent, or Firm* — Crowell & Moring LLP

(75) Inventor: **Erik Goplen**, Woodland Hills, CA (US)

(57) **CLAIM**

The ornamental design for a headlight for a vehicle, as shown and described.

(73) Assignee: **Bayerische Motoren Werke Aktiengesellschaft**, Munich (DE)

**DESCRIPTION**

(\*\*) Term: **14 Years**

(21) Appl. No.: **29/376,441**

(22) Filed: **Oct. 7, 2010**

(30) **Foreign Application Priority Data**

Apr. 8, 2010 (DE) ..... 402010002135

(51) **LOC (9) Cl.** ..... **26-06**

(52) **U.S. Cl.** ..... **D26/28**

(58) **Field of Classification Search** ..... D26/28-36;  
362/459-468, 475-478, 485-487

See application file for complete search history.

(56) **References Cited**

**U.S. PATENT DOCUMENTS**

D550,380 S *	9/2007	Lin	.....	D26/28
D550,383 S *	9/2007	Asai	.....	D26/28
D556,349 S *	11/2007	Golden et al.	.....	D26/28
D560,291 S *	1/2008	Koyama	.....	D26/28
D561,358 S *	2/2008	Tachibana	.....	D26/28
D561,359 S *	2/2008	Hsu	.....	D26/28
D573,282 S *	7/2008	Hsu	.....	D26/28
D634,867 S *	3/2011	Frenzel et al.	.....	D26/28

**FOREIGN PATENT DOCUMENTS**

WO	DM/047118	5/1999
WO	DM/070264	12/2008
WO	DM/071790	11/2009

\* cited by examiner

*Primary Examiner* — Marcus Jackson

FIG. 1 is a right perspective view of a first embodiment of a headlight for a vehicle according to my design; FIG. 2 is a left, elevated perspective view thereof; FIG. 3 is a front view thereof; FIG. 4 is a right side view thereof; and FIG. 5 is a top view thereof.

FIG. 6 is a left perspective view of a second embodiment of the headlight for a vehicle according to my design, with the headlight for a vehicle for the opposite side of the vehicle being depicted in the first embodiment;

FIG. 7 is a right, elevated perspective view thereof;

FIG. 8 is a front view thereof;

FIG. 9 is a left side view thereof; and

FIG. 10 is a top view thereof.

FIG. 11 is a right perspective view of a third embodiment of the headlight for a vehicle according to my design;

FIG. 12 is a left, elevated perspective view thereof;

FIG. 13 is a front view thereof;

FIG. 14 is a right side view thereof; and

FIG. 15 is a top view thereof.

FIG. 16 is a left perspective view of a fourth embodiment of the headlight for a vehicle according to my design, with the headlight for a vehicle for the opposite side of the vehicle being depicted in the third embodiment;

FIG. 17 is a right, elevated perspective view thereof;

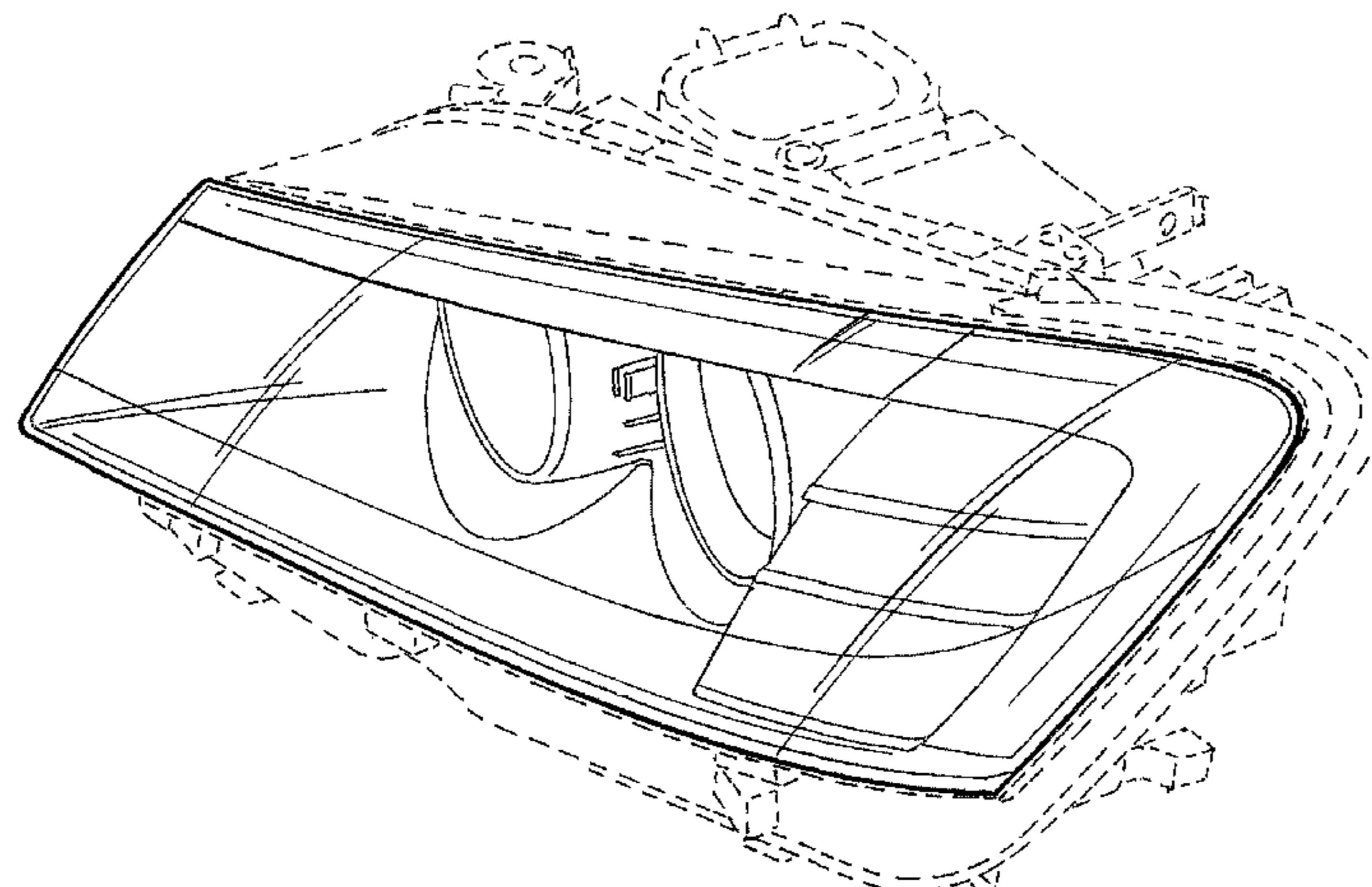
FIG. 18 is a front view thereof;

FIG. 19 is a left side view thereof; and,

FIG. 20 is a top view thereof.

The broken lines are for illustrative purposes only and form no part of the claimed design.

**1 Claim, 12 Drawing Sheets**



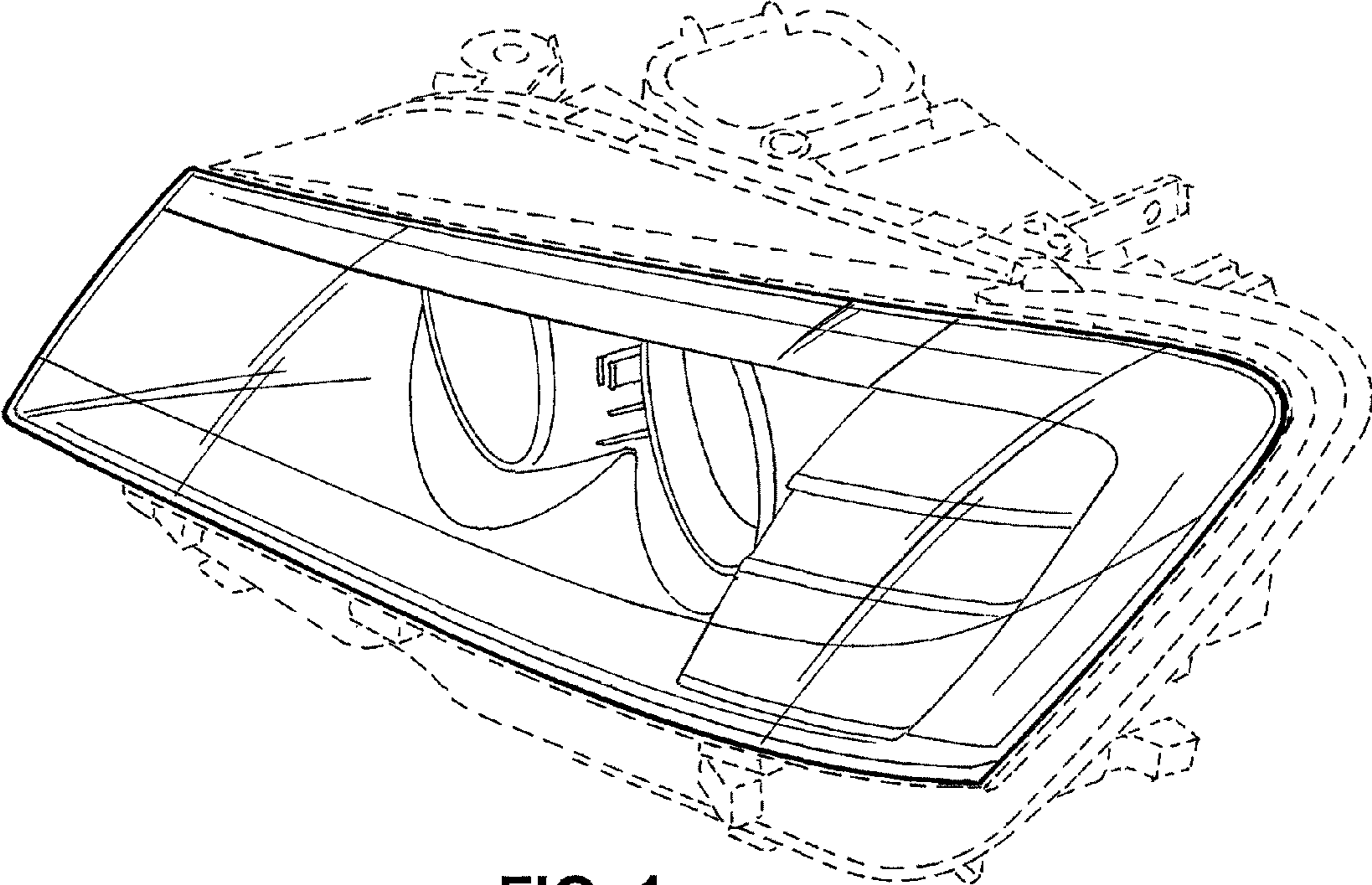


FIG. 1

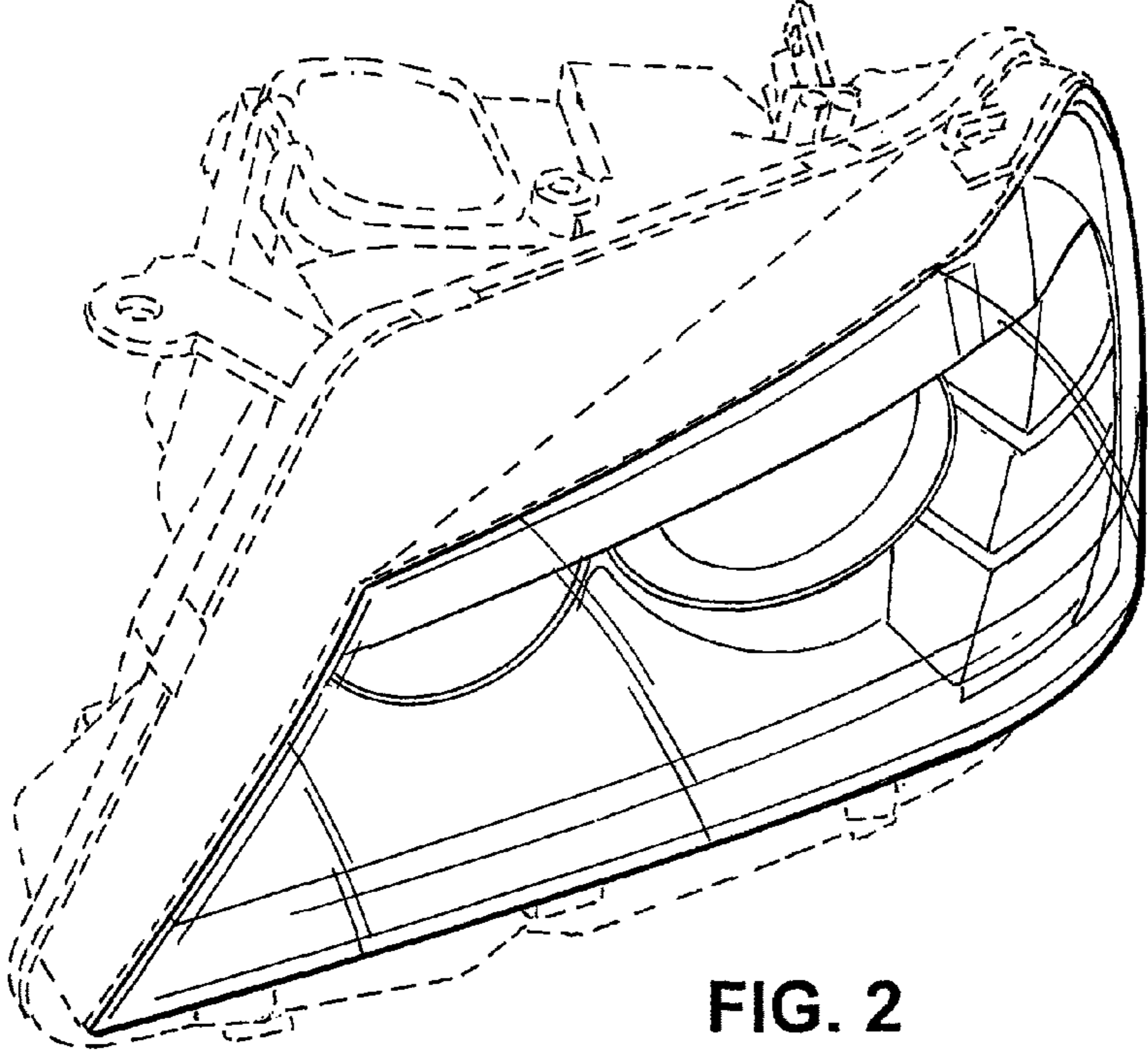


FIG. 2



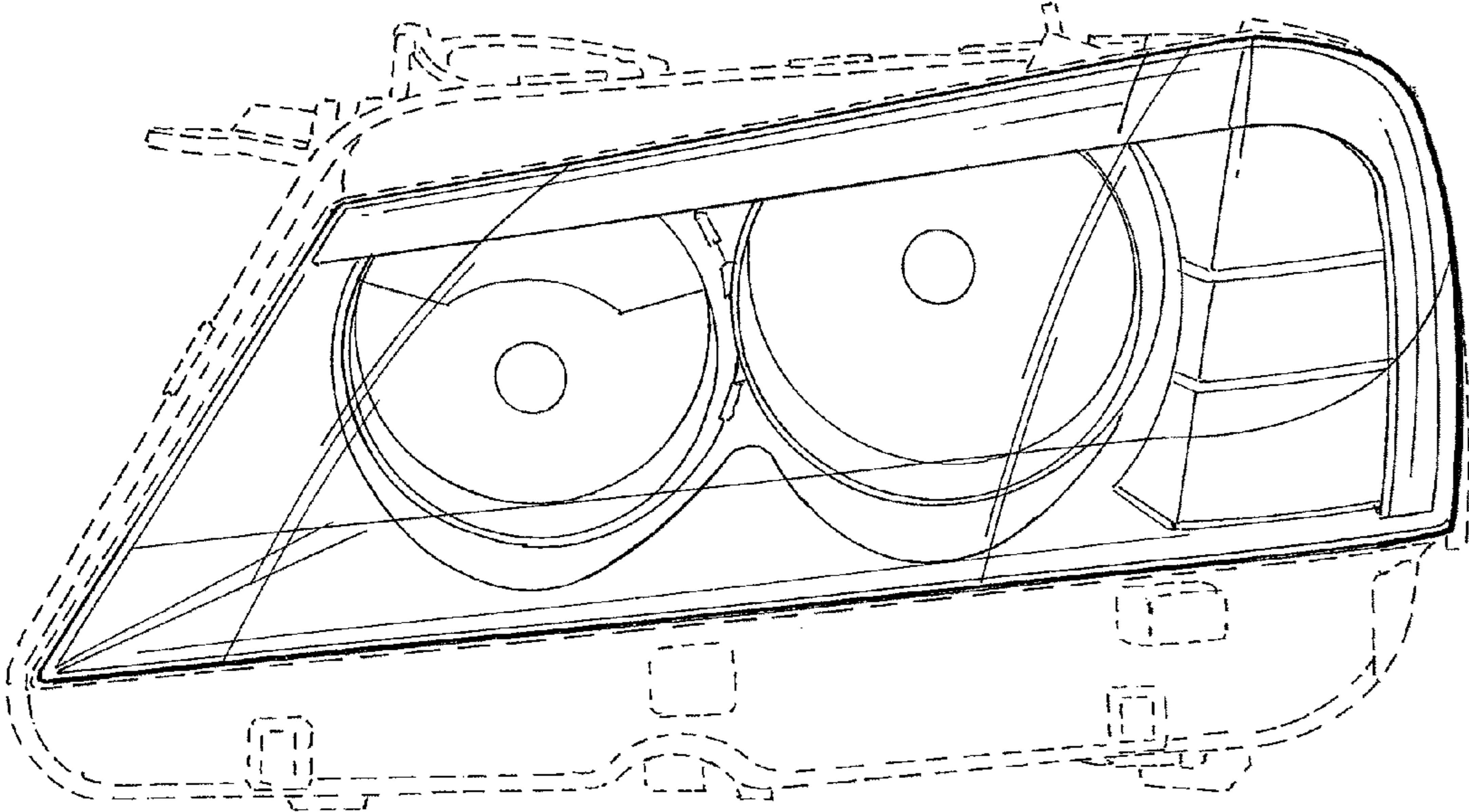


FIG. 3

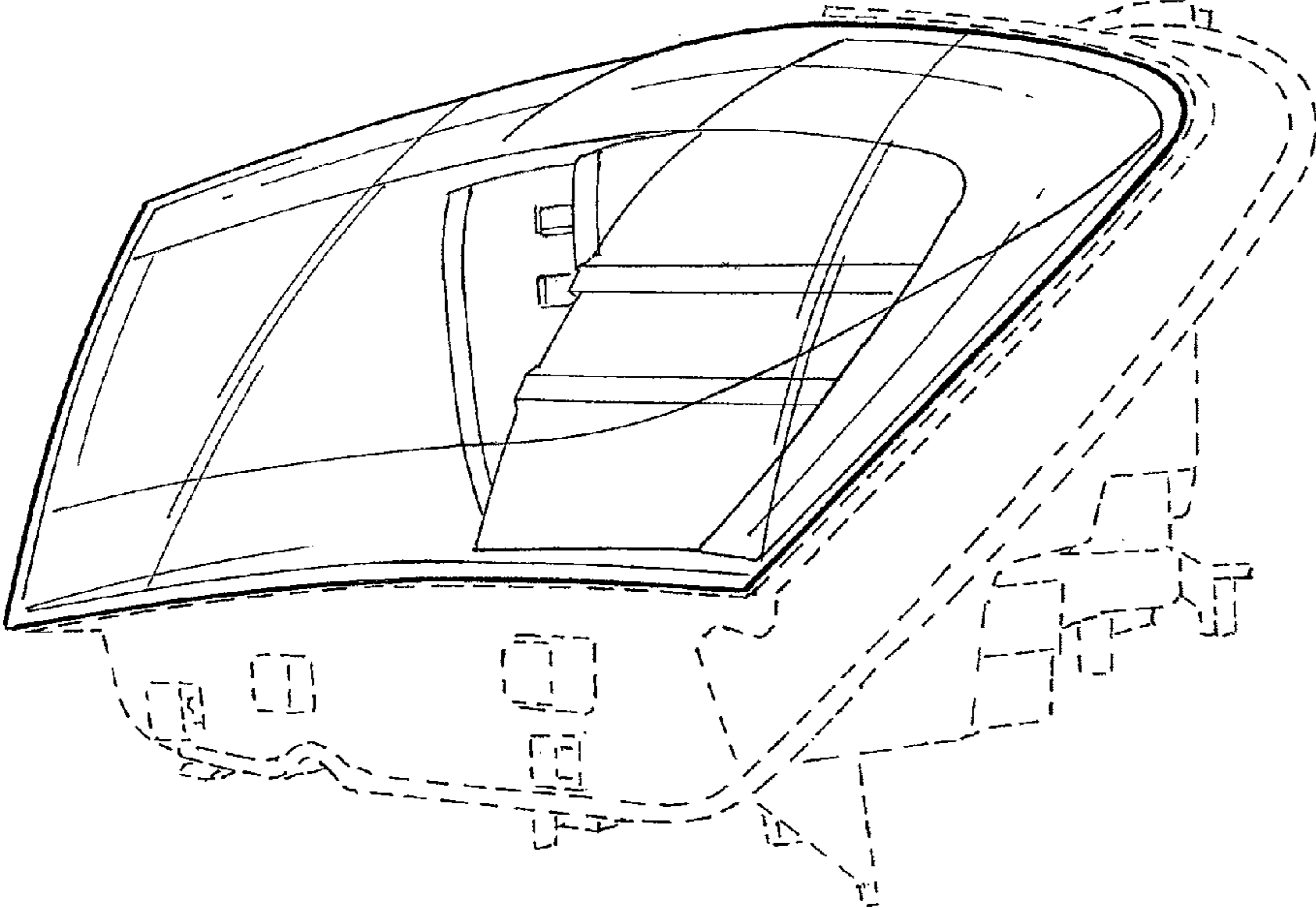


FIG. 4

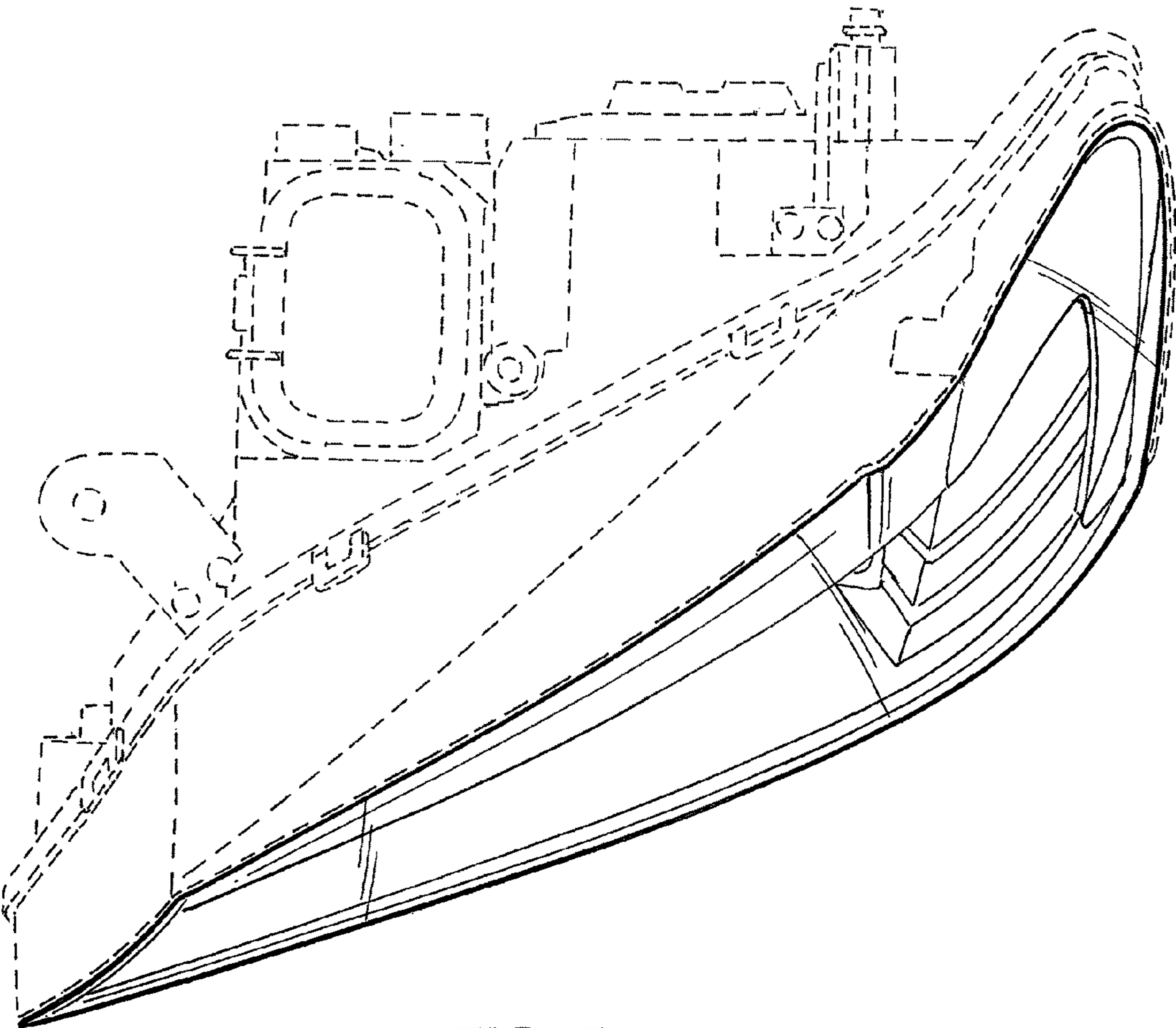


FIG. 5

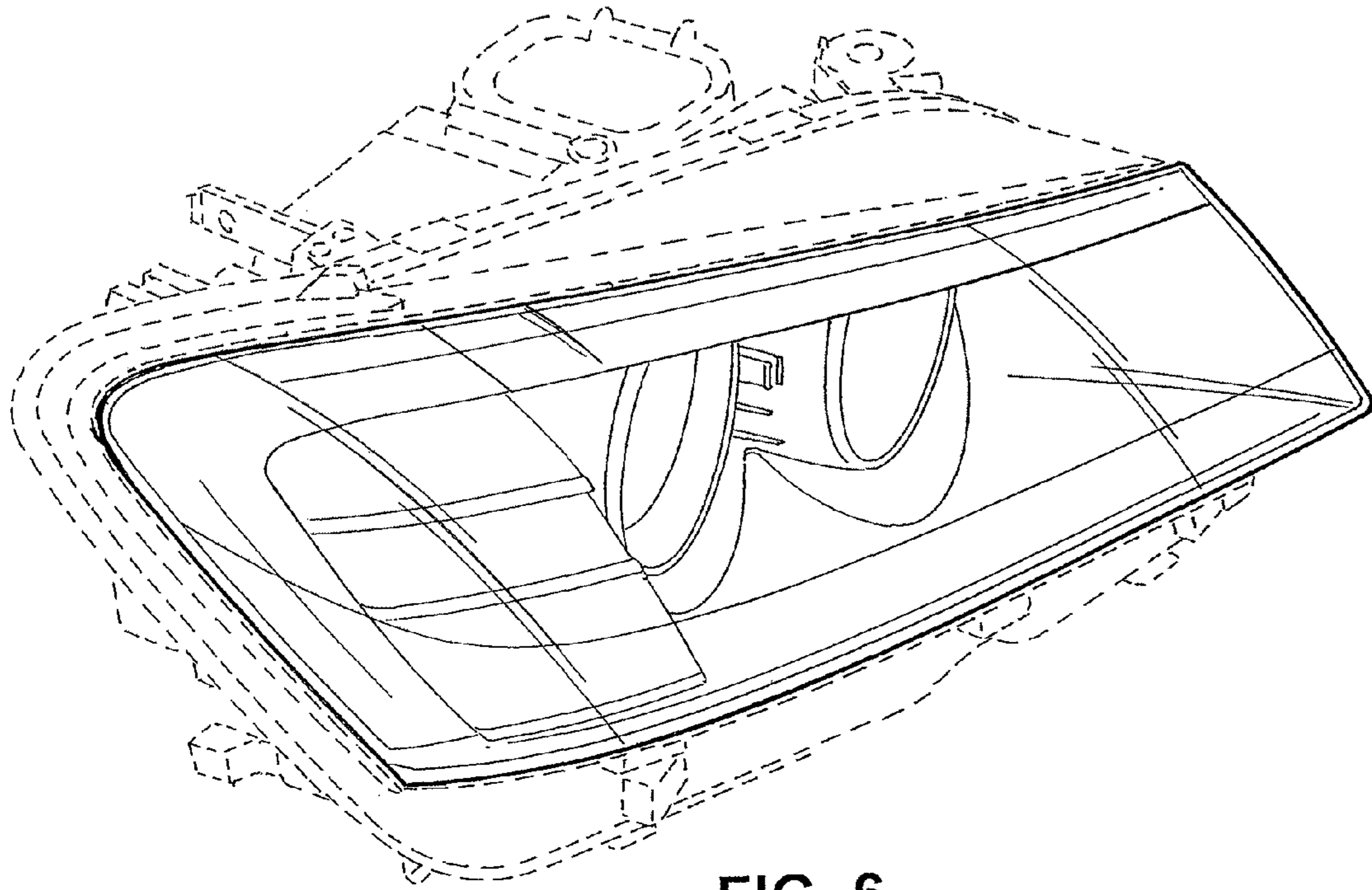


FIG. 6

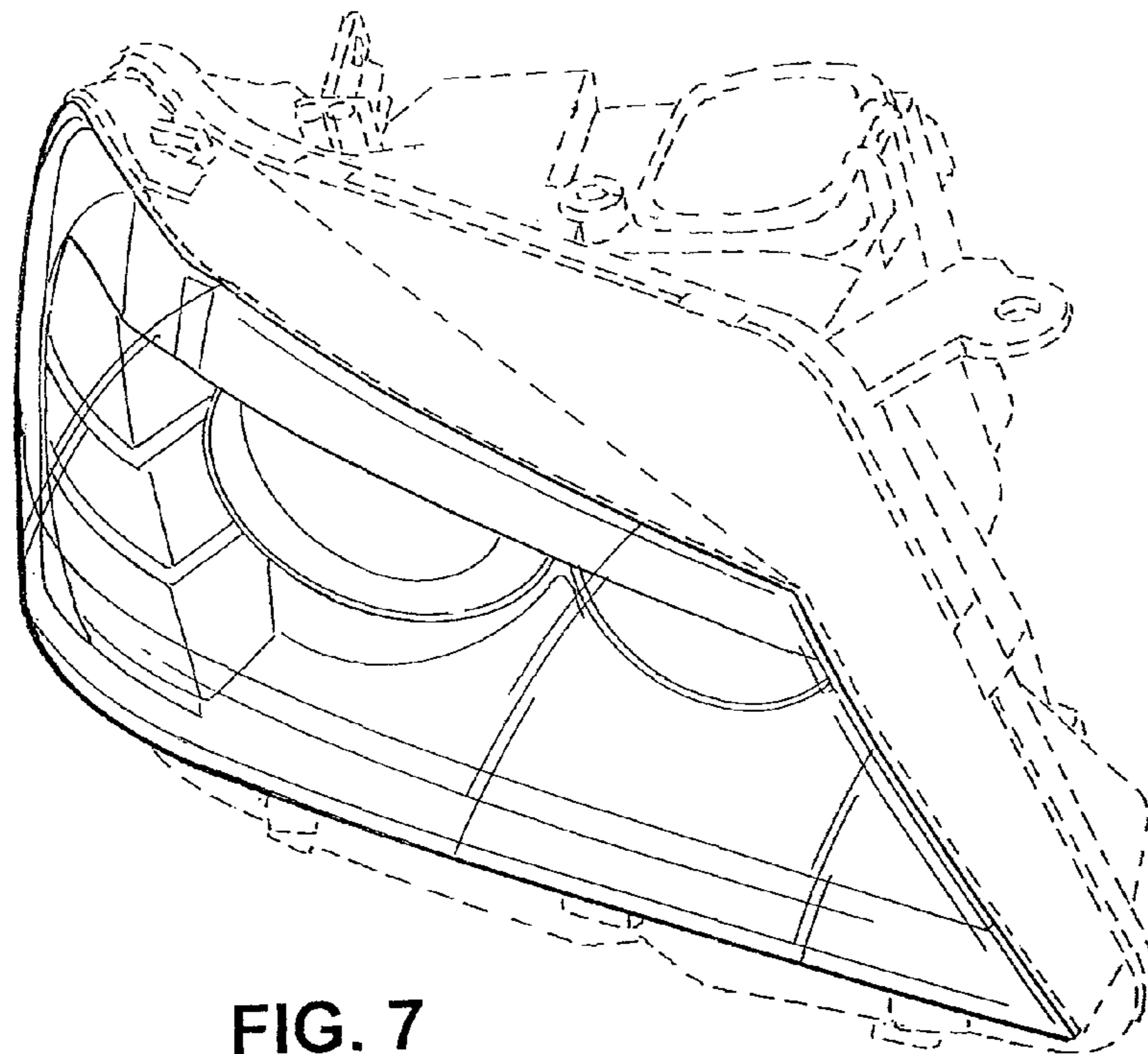


FIG. 7



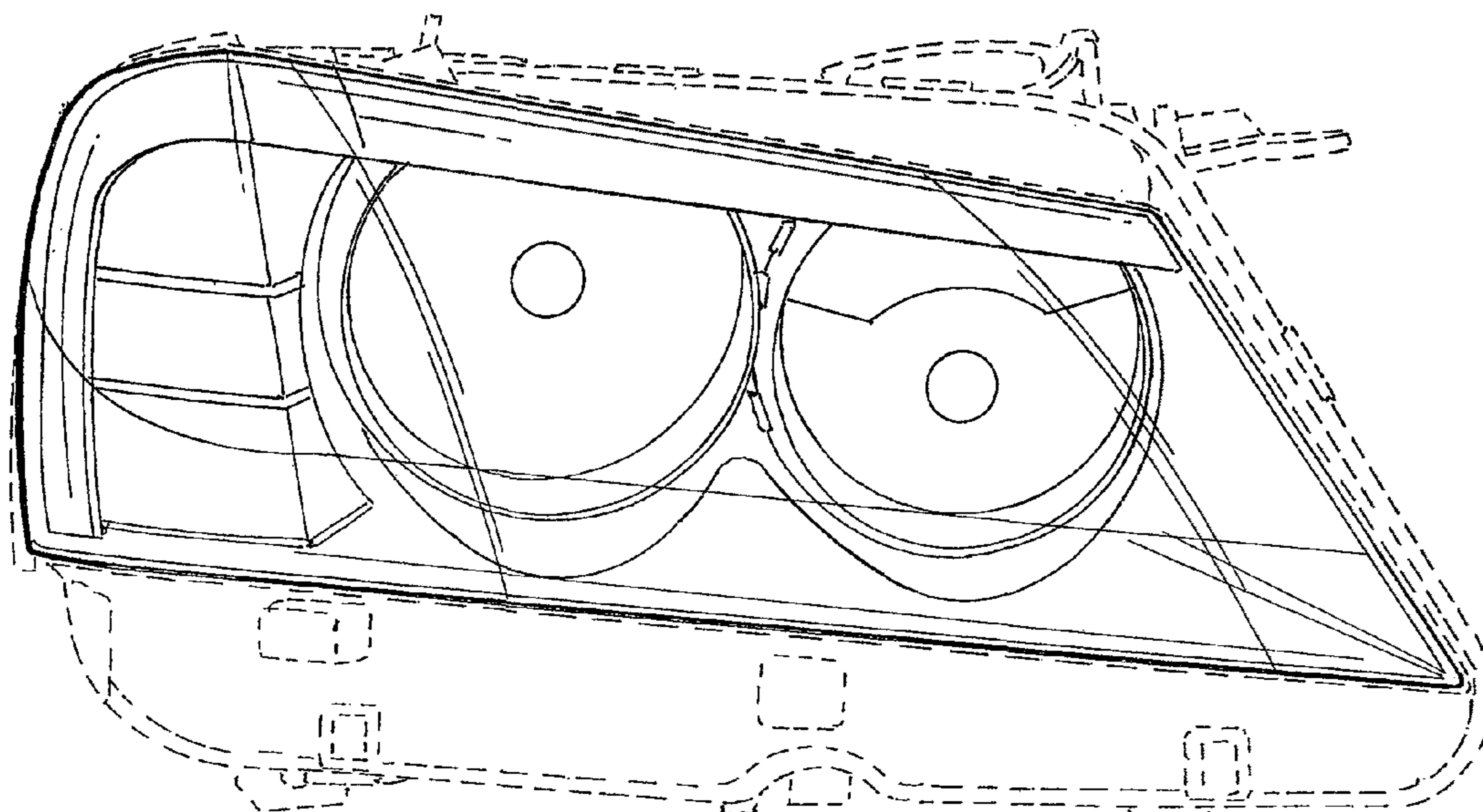


FIG. 8

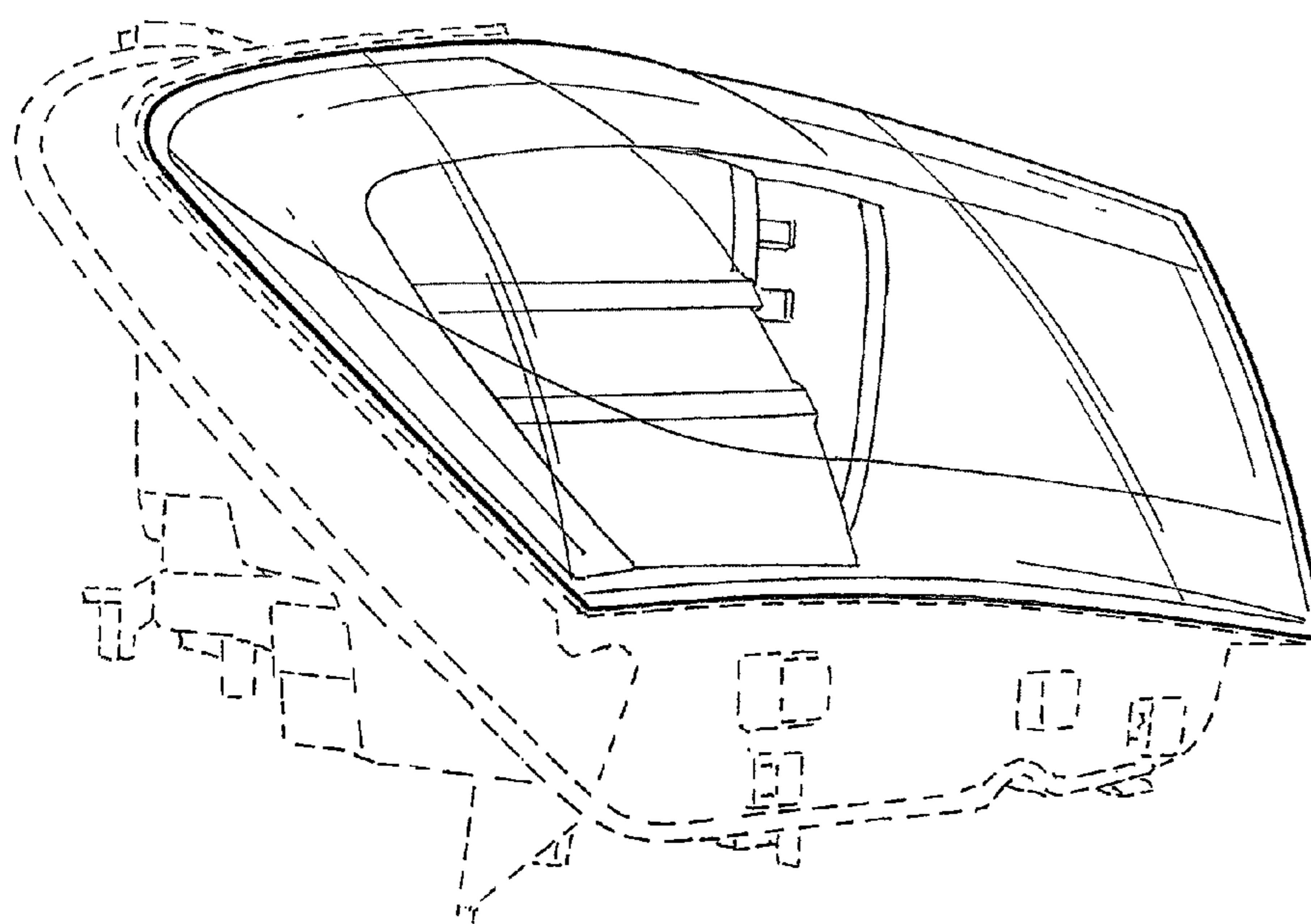


FIG. 9

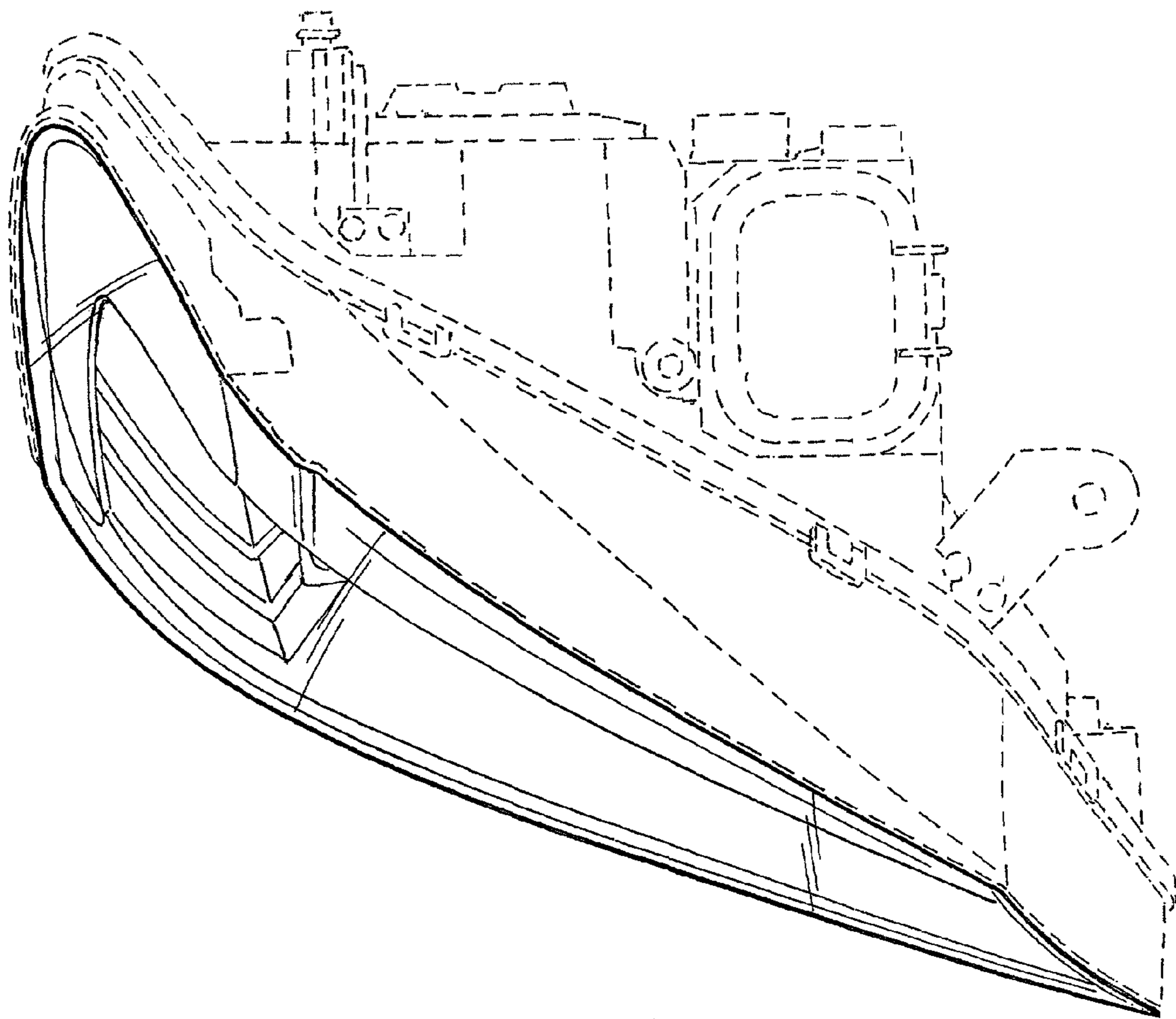


FIG. 10

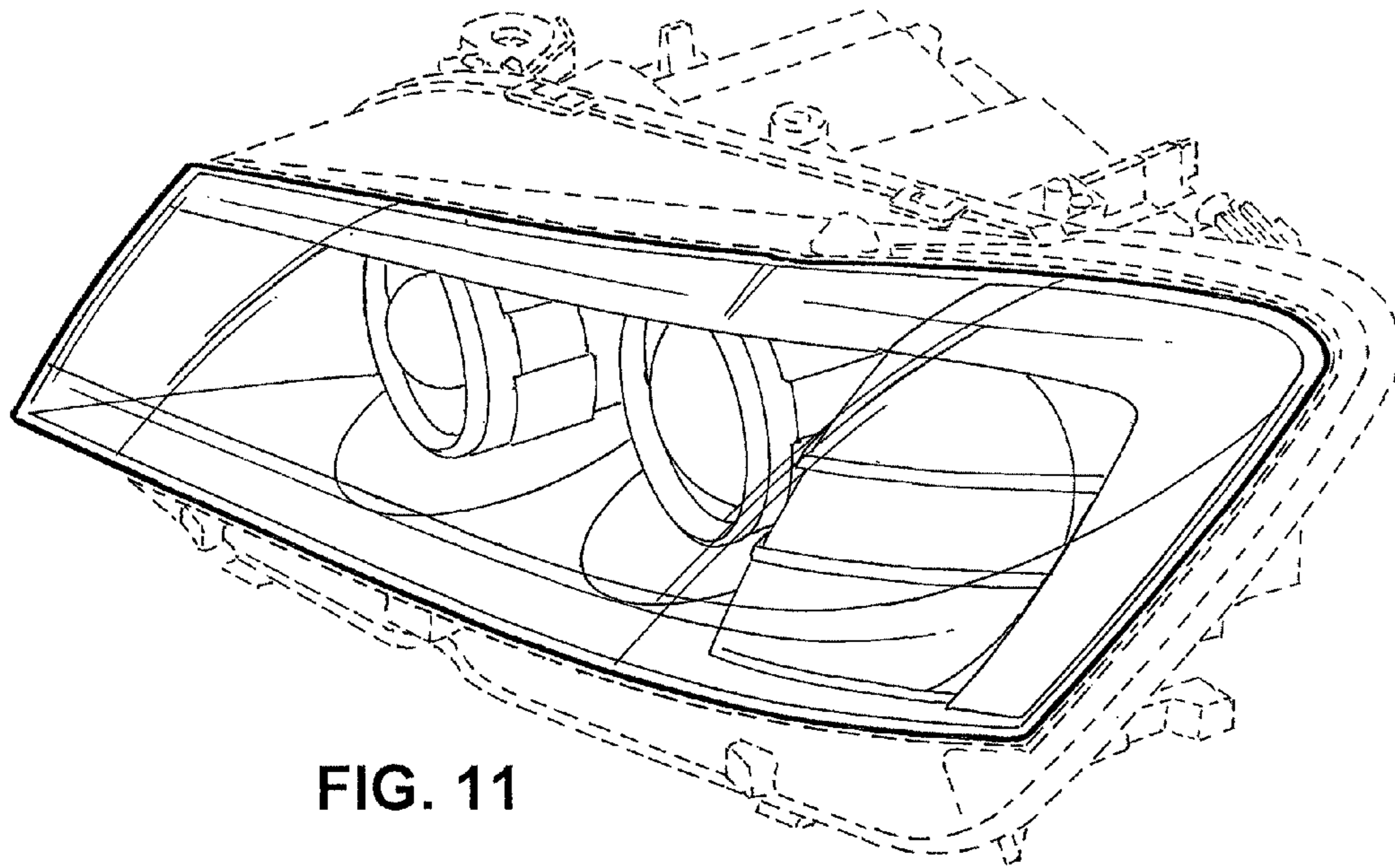


FIG. 11

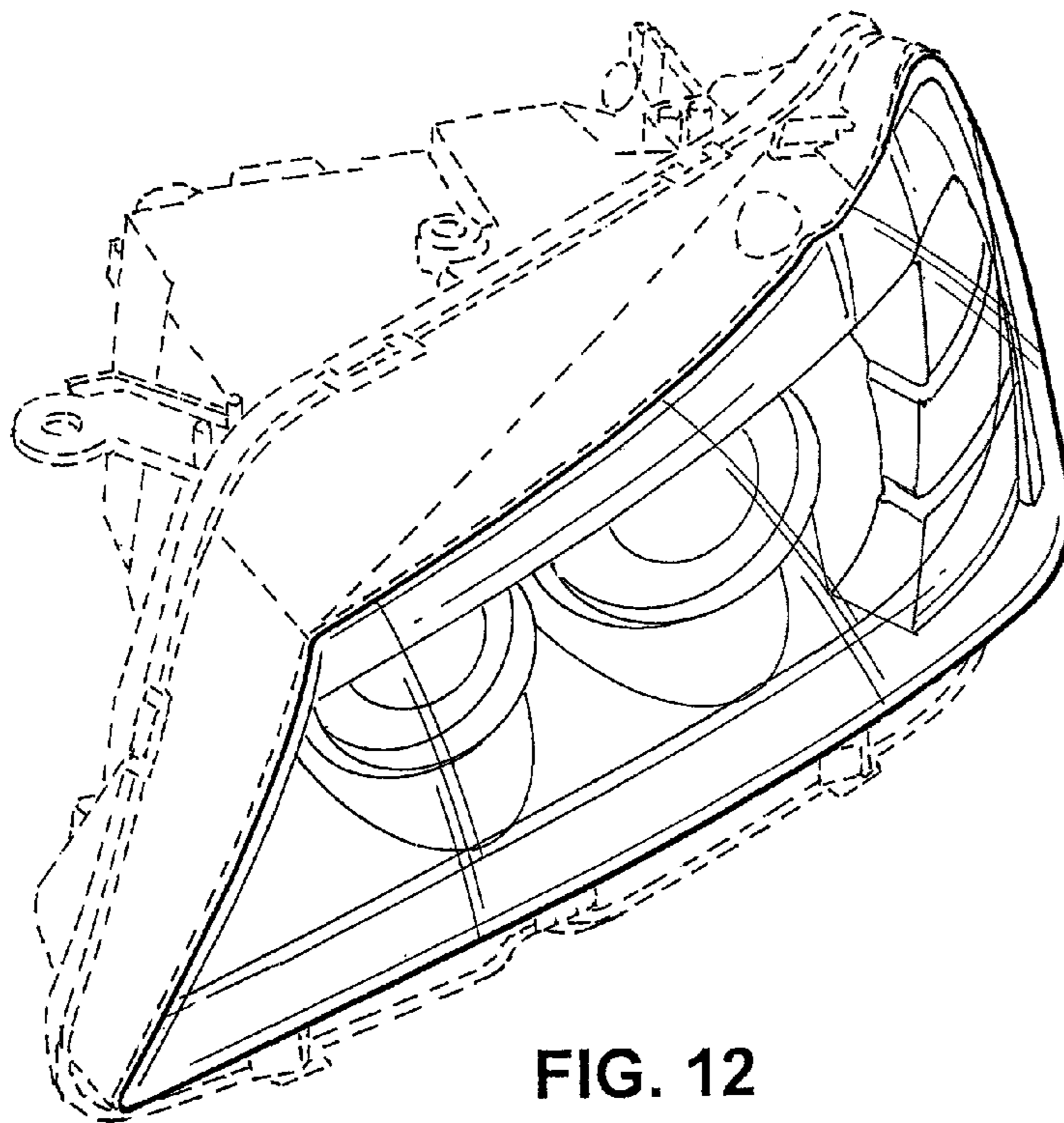


FIG. 12



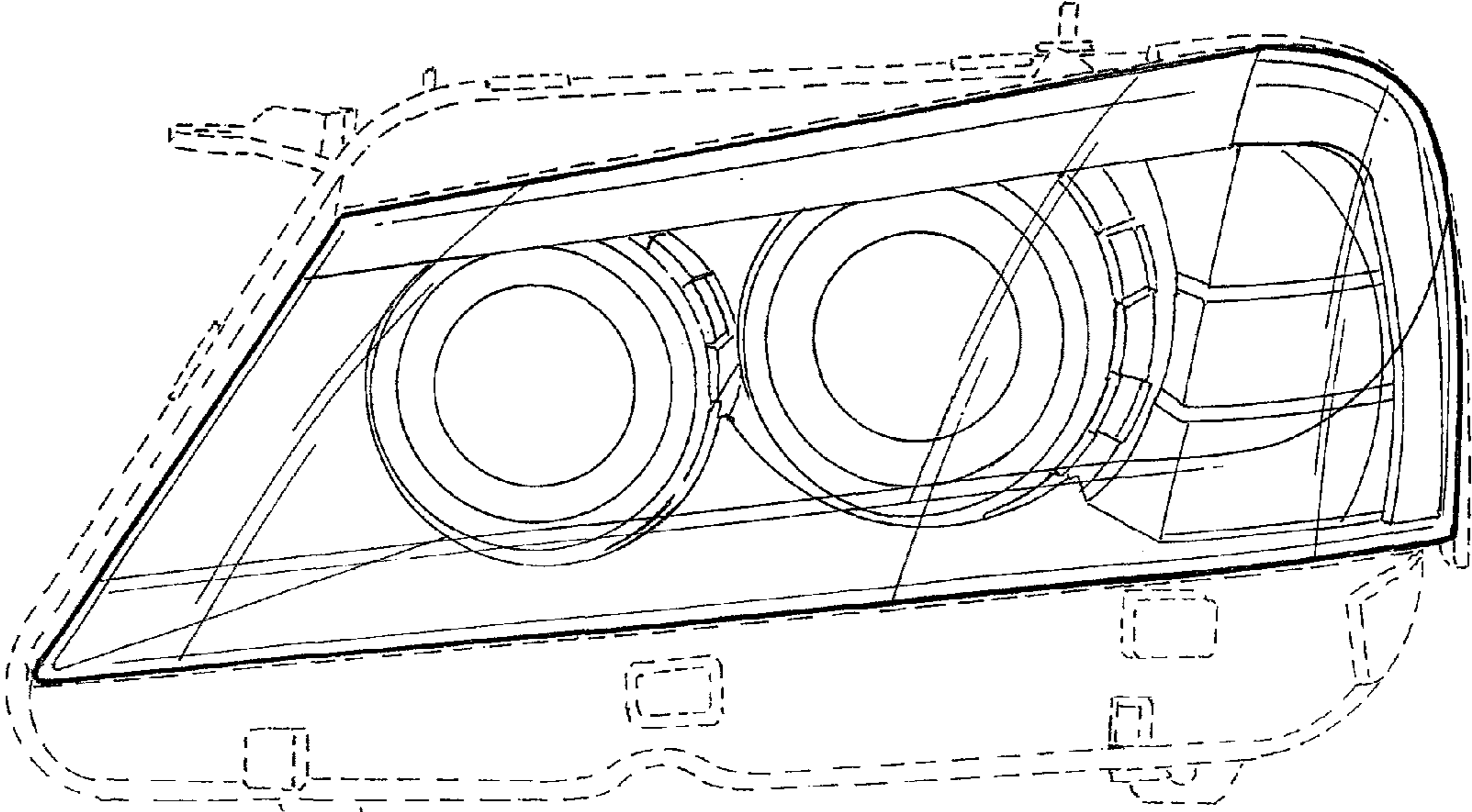


FIG. 13

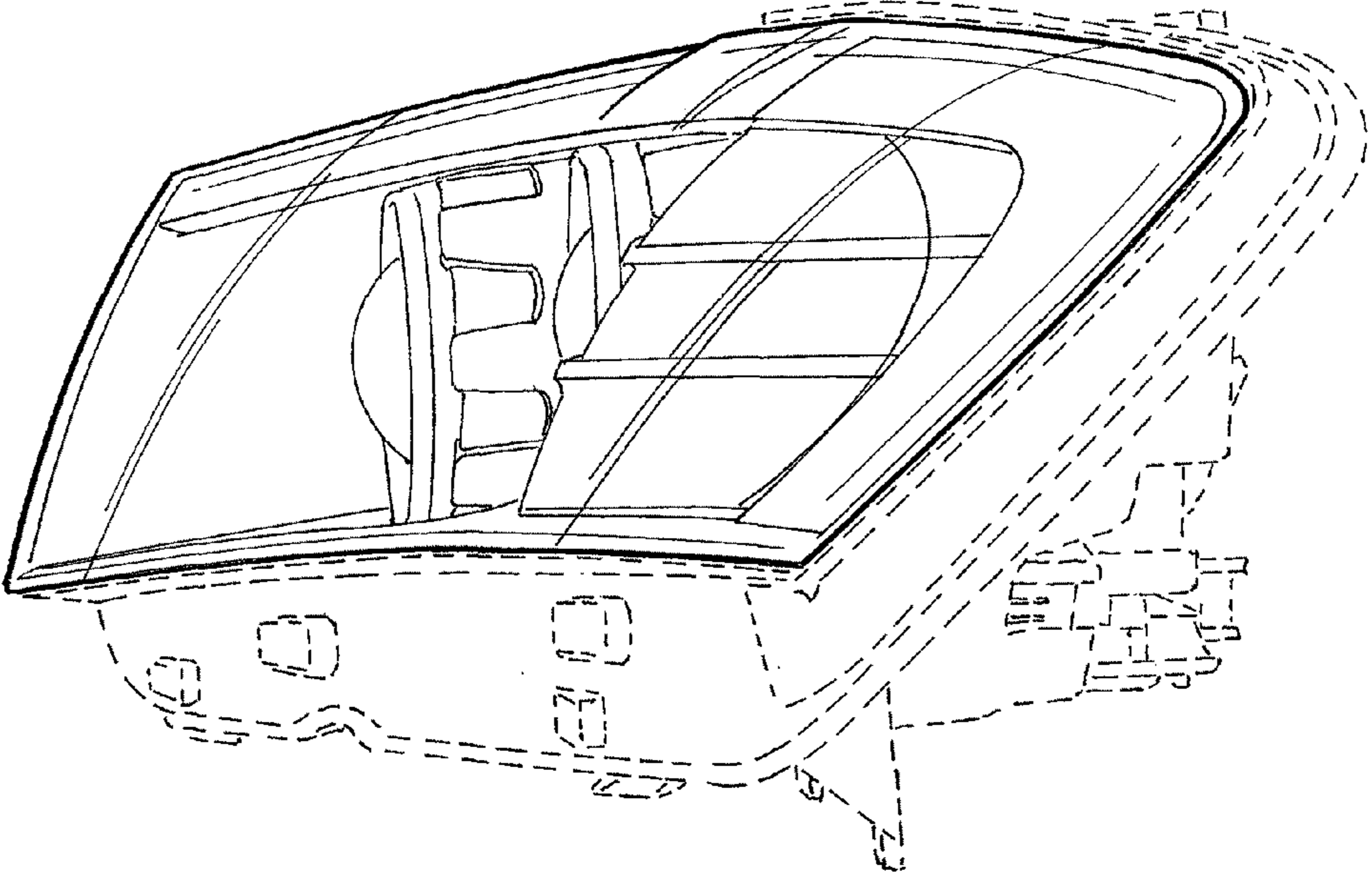


FIG. 14

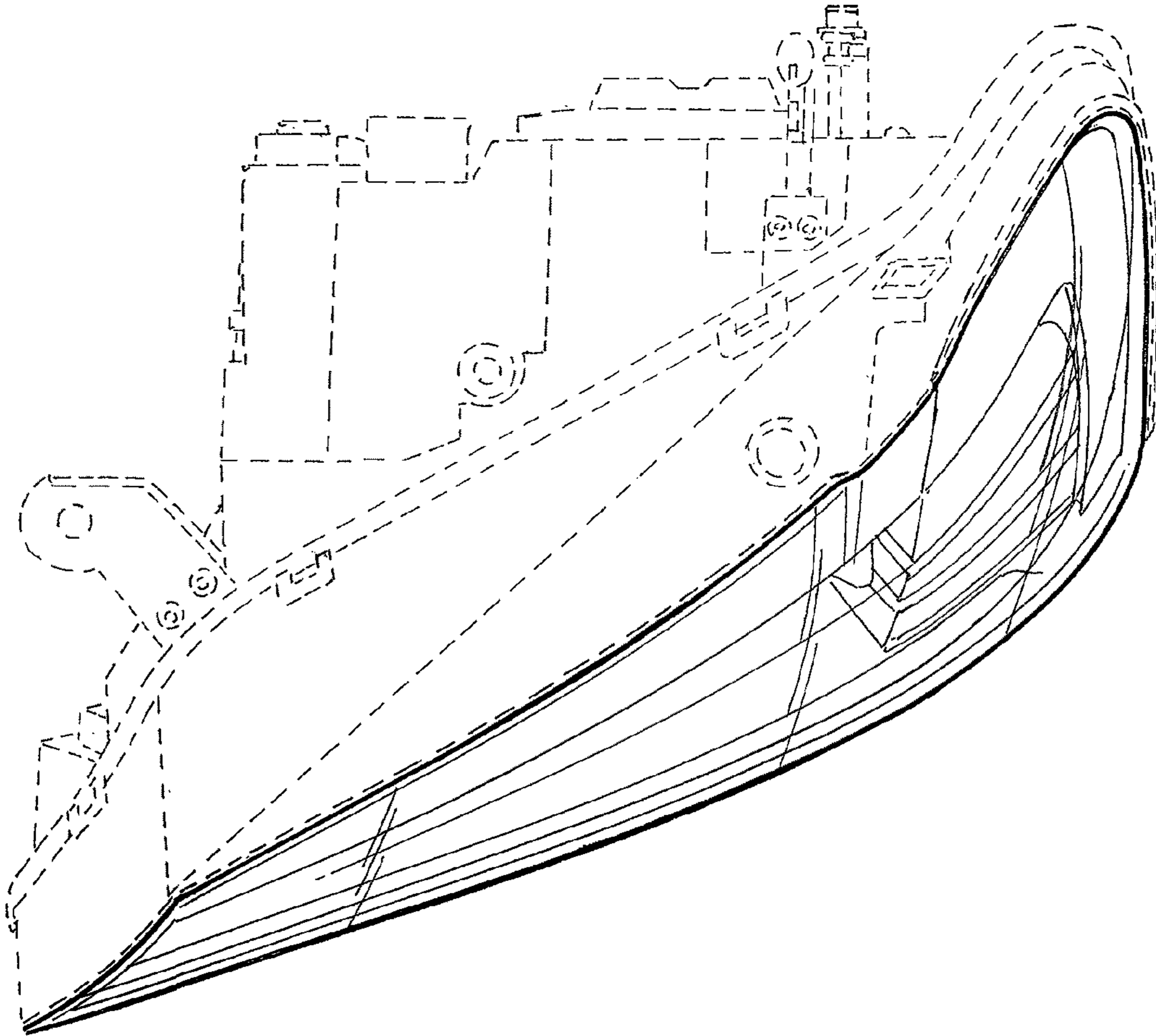
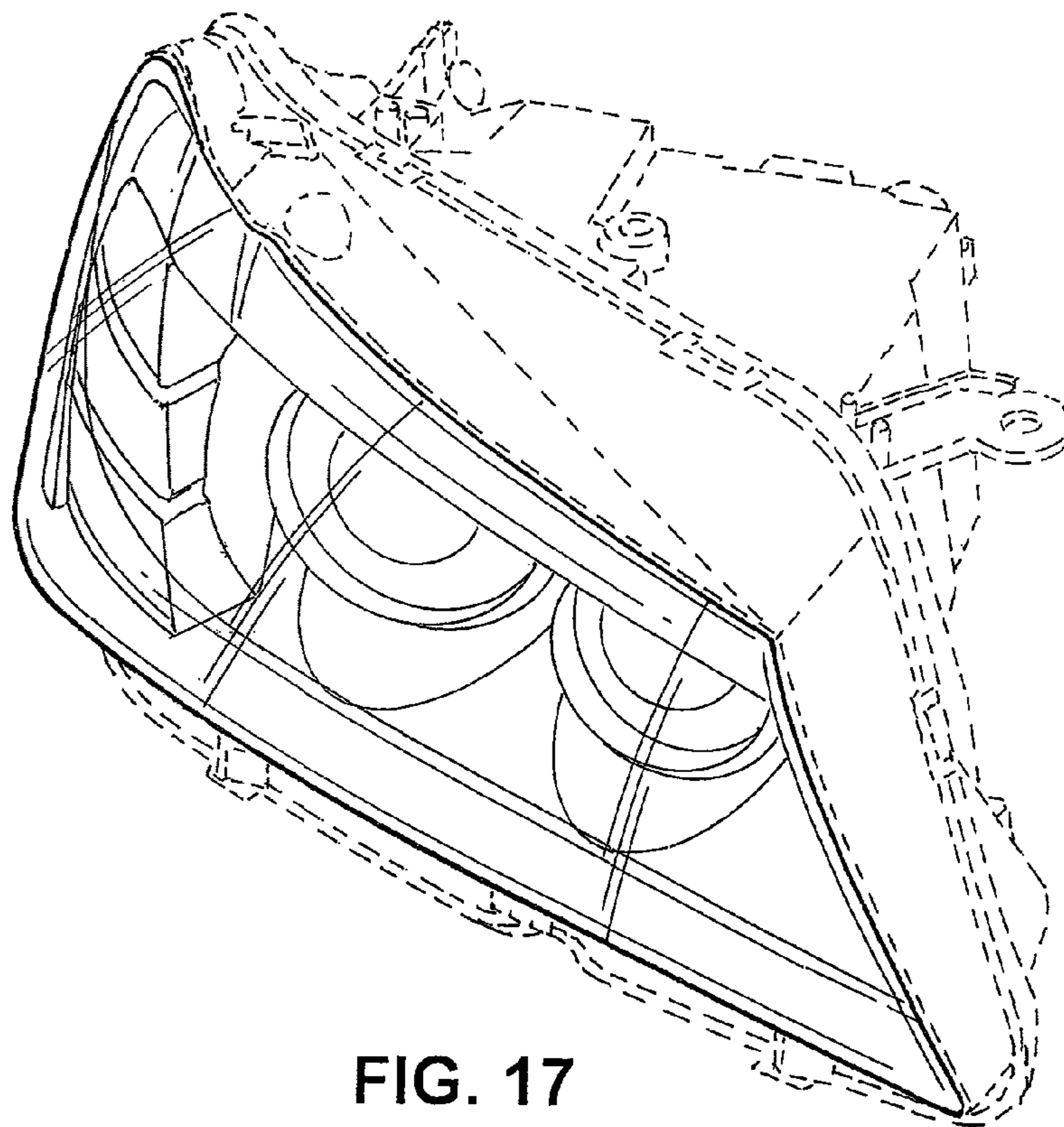
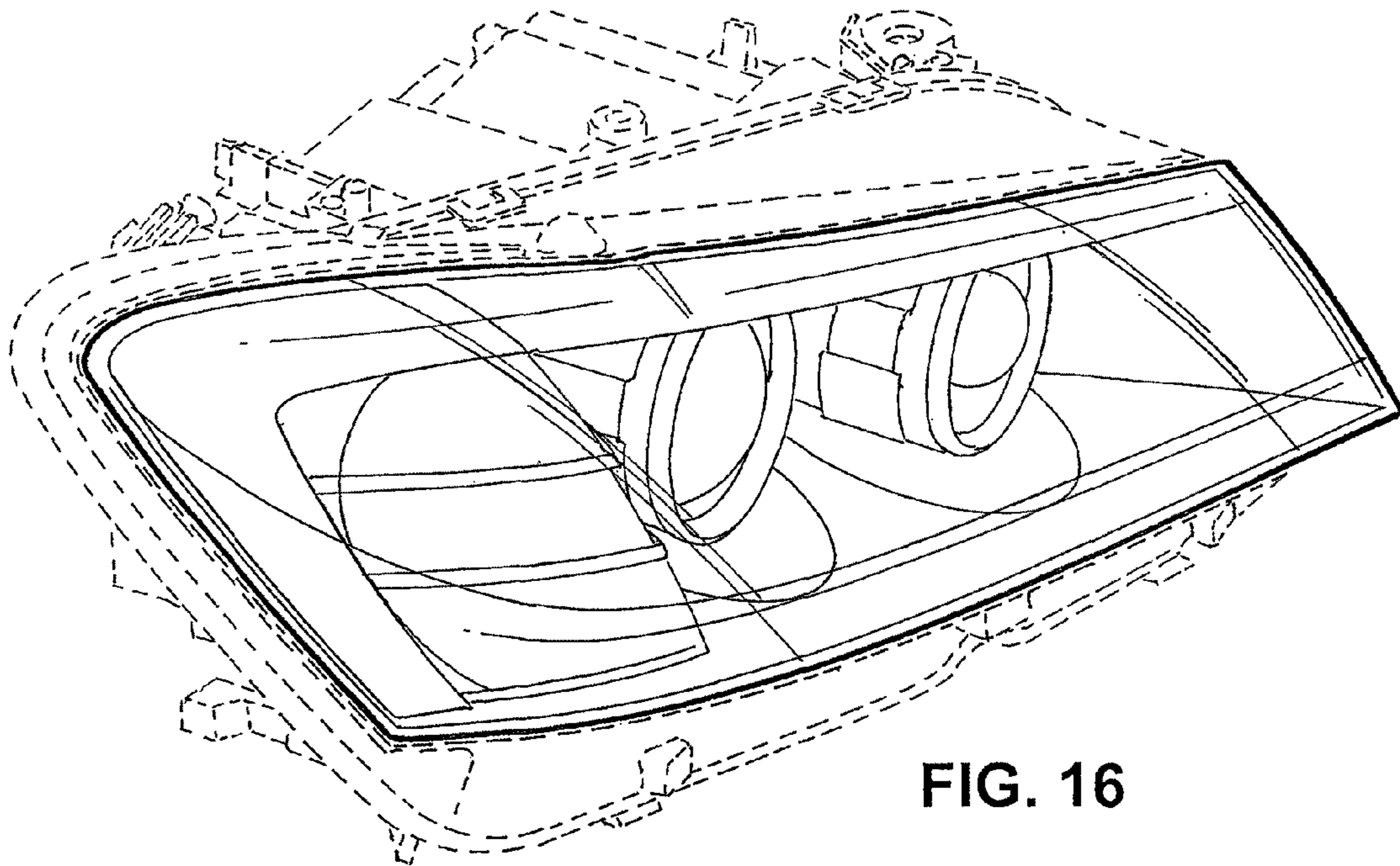


FIG. 15





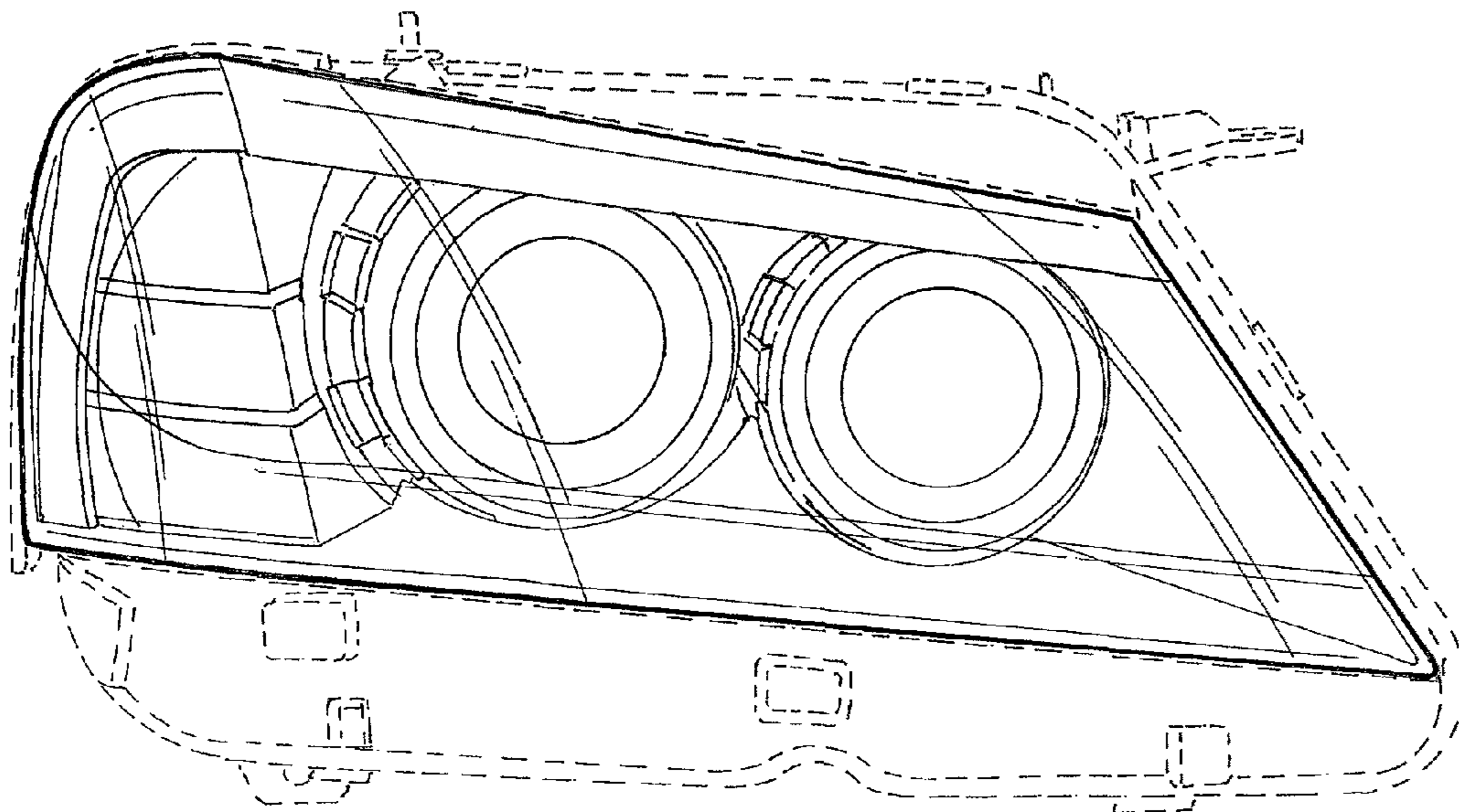


FIG. 18

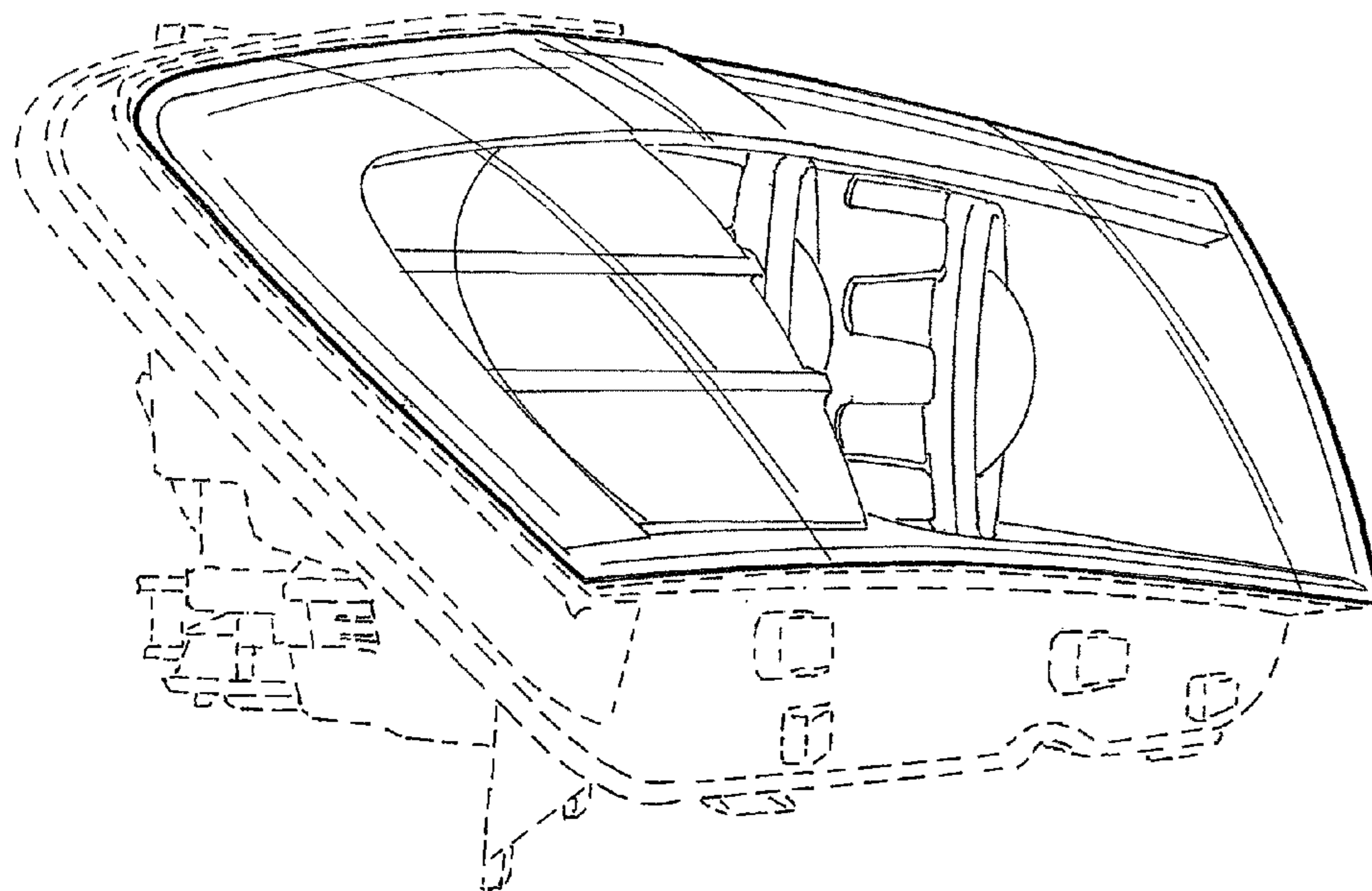


FIG. 19

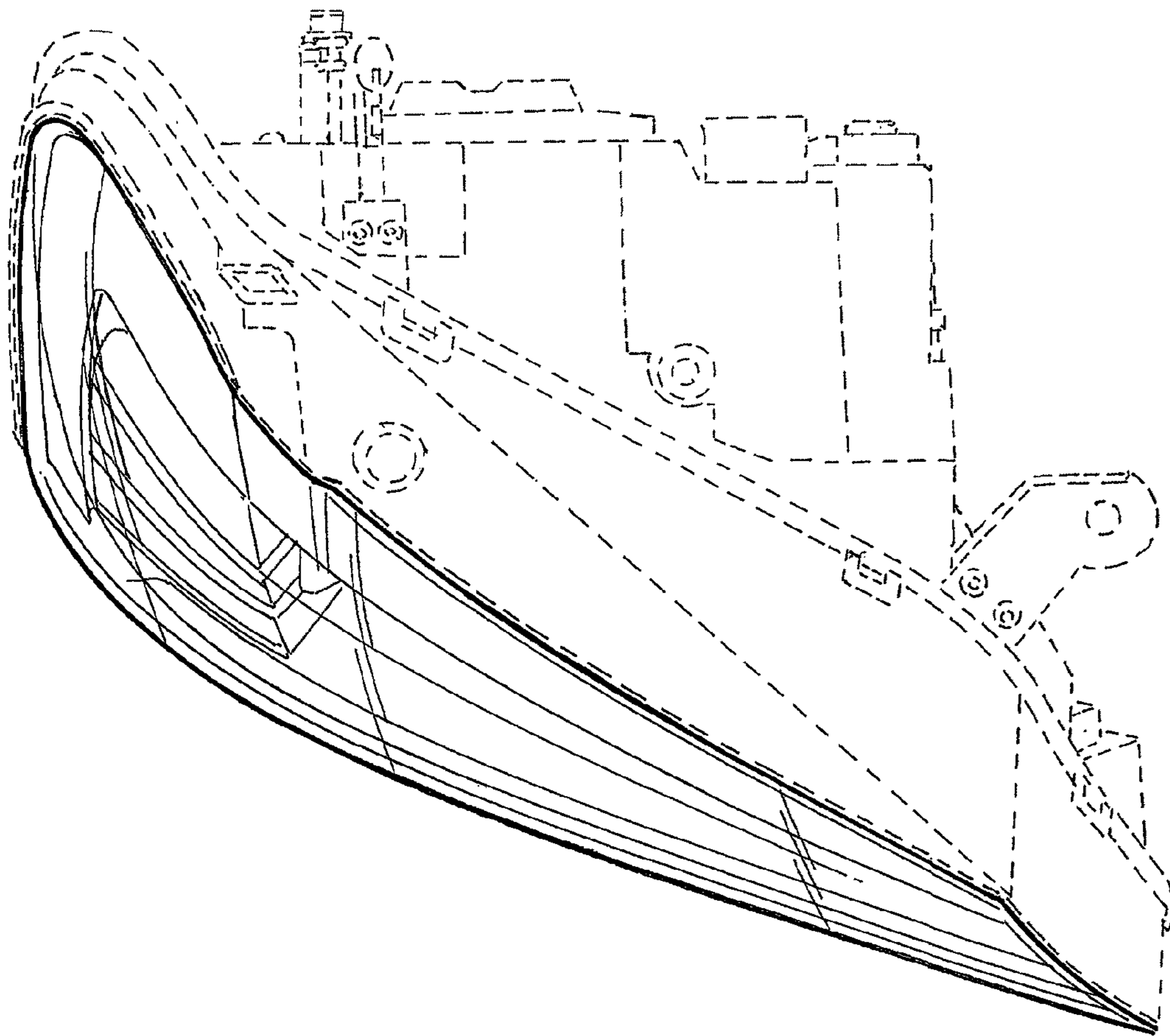


FIG. 20