

US00D658316S

(12) **United States Design Patent**  
**van Dijk**

(10) **Patent No.:** **US D658,316 S**

(45) **Date of Patent:** **\*\* \*Apr. 24, 2012**

(54) **STICKER AND CANDLE COMBINATION**

(75) Inventor: **Hendrikus Antonius van Dijk**,  
Nijmegen (NL)

(73) Assignee: **D-Light Device B.V.** (NL)

(\*) Notice: This patent is subject to a terminal disclaimer.

(\*\*) Term: **14 Years**

(21) Appl. No.: **29/329,554**

(22) Filed: **Dec. 17, 2008**

(30) **Foreign Application Priority Data**

Aug. 29, 2008 (EM) ..... 000993605-0001

(51) **LOC (9) Cl.** ..... **26-01**

(52) **U.S. Cl.** ..... **D26/23**

(58) **Field of Classification Search** ..... D1/100,  
D1/127-130, 199; D11/10-11, 26-28, 40-43,  
D11/75, 89-93, 117, 121, 125, 131; D28/8.1;  
D21/386; D24/100-101; 119/702, 707-711;  
D26/6, 9, 10, 22, 23; D20/11, 22, 27, 37,  
D20/99; 431/288-297; D7/584; 428/7-9,  
428/11; 362/161-163, 351

See application file for complete search history.

(56) **References Cited**

**U.S. PATENT DOCUMENTS**

168,063	A *	9/1875	Taylor	220/62
535,535	A *	3/1895	Gardner	273/294
2,137,707	A *	11/1938	Worth et al.	431/291
2,636,370	A *	4/1953	Kramer	431/126
3,081,413	A *	3/1963	Cummings	378/123
3,083,052	A *	3/1963	Thorson	297/140
3,388,960	A *	6/1968	Cangialosi	431/288
3,705,962	A *	12/1972	Banister	191/12.4

3,706,523	A *	12/1972	Kumm	431/126
D226,240	S *	1/1973	Twedt	D26/6
4,028,045	A *	6/1977	Reiher	431/289
D294,070	S *	2/1988	Vandrilla	D26/149
D301,749	S *	6/1989	Comstock	D26/9
4,847,090	A *	7/1989	Della Posta et al.	424/440
4,992,879	A *	2/1991	Tezuka	348/333.02
5,235,488	A *	8/1993	Koch	361/45
5,375,433	A *	12/1994	Skalet	63/12
D389,947	S *	1/1998	Hutton	D26/110
D397,459	S *	8/1998	Hsu	D26/6
D411,252	S *	6/1999	Mittelstrass	D20/11

(Continued)

*Primary Examiner* — Michael Pratt

(74) *Attorney, Agent, or Firm* — Leydig, Voit & Mayer, Ltd.

(57) **CLAIM**

I claim the ornamental design for a sticker and a candle combination, as shown and described.

**DESCRIPTION**

FIG. 1 is an exploded perspective view of an embodiment of a sticker and a candle with indeterminate length according to the present invention.

FIG. 2 is a perspective view of the sticker and the candle of FIG. 1.

FIG. 3 is a top plan view of the sticker and the candle of FIG. 1.

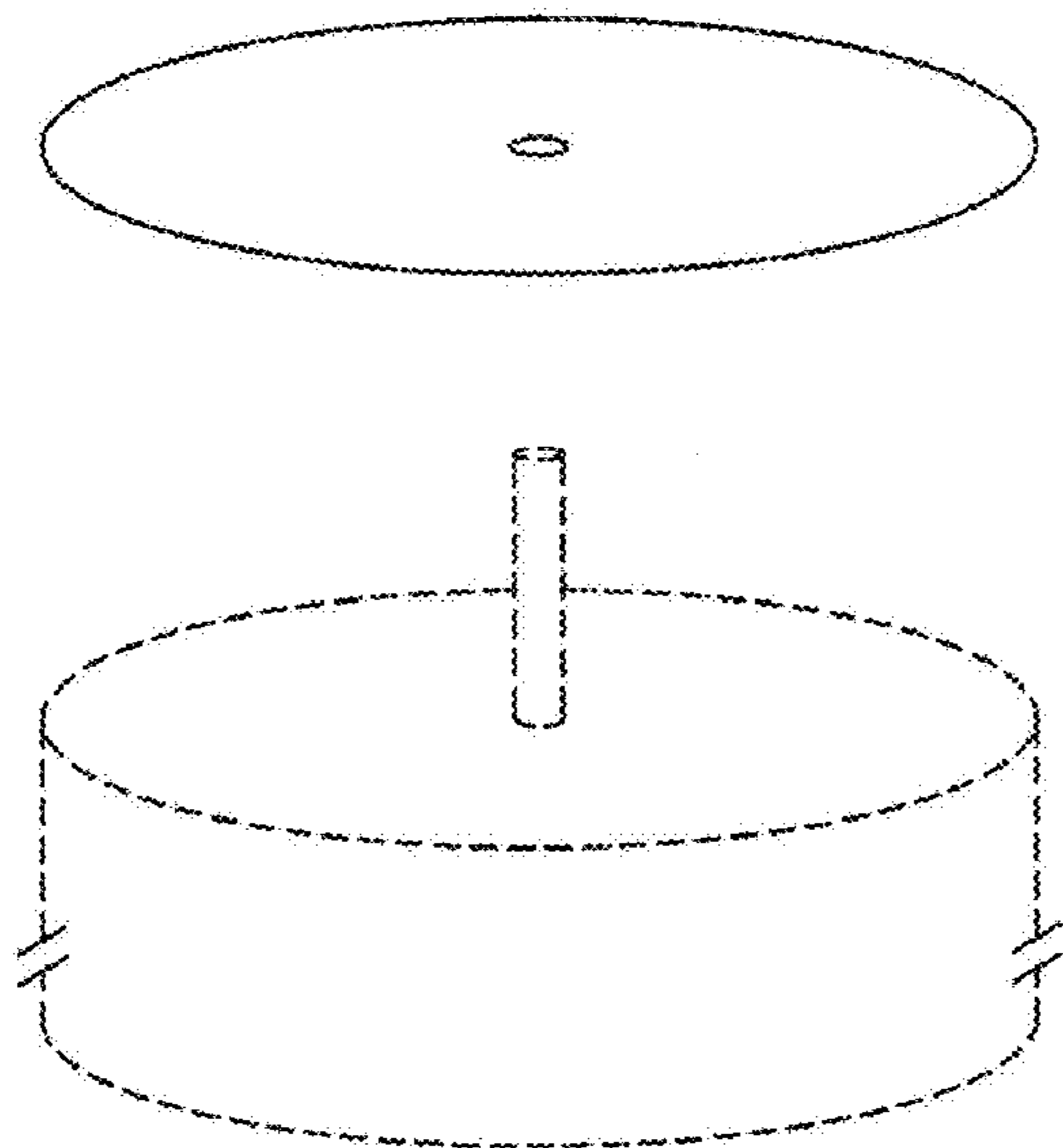
FIG. 4 is an exploded front elevational view of the sticker and the candle of FIG. 1; and,

FIG. 5 is a front elevational view of the sticker and the candle of FIG. 1. The rear elevational view and the left and right side elevational views of the sticker and the candle of FIG. 1 are the same as the view of FIG. 5.

The bottom of the sticker for a candle of FIG. 1 is flat.

Features illustrated in broken lines in the Figures depict environmental structure shown for illustrative purposes only and form no part of the claimed design.

**1 Claim, 1 Drawing Sheet**



# US D658,316 S

Page 2

---

## U.S. PATENT DOCUMENTS

6,059,564	A *	5/2000	Morris	431/291	D495,437	S *	8/2004	Barbera et al.	D26/23
6,074,199	A *	6/2000	Song	431/253	D499,638	S *	12/2004	Marietta	D22/112
6,347,879	B1 *	2/2002	Prado	362/159	6,896,436	B2 *	5/2005	McDevitt	403/123
D471,299	S *	3/2003	Papai	D26/23	7,093,714	B2 *	8/2006	Huang	206/493
D473,330	S *	4/2003	Papai	D26/23	D590,078	S *	4/2009	Horezniak et al.	D26/6
6,554,448	B2 *	4/2003	Carpenter et al.	362/161	D643,554	S *	8/2011	Decker	D26/6
D481,143	S *	10/2003	McMinn	D26/23	2010/0203638	A1 *	8/2010	Adachi et al.	435/395

\* cited by examiner

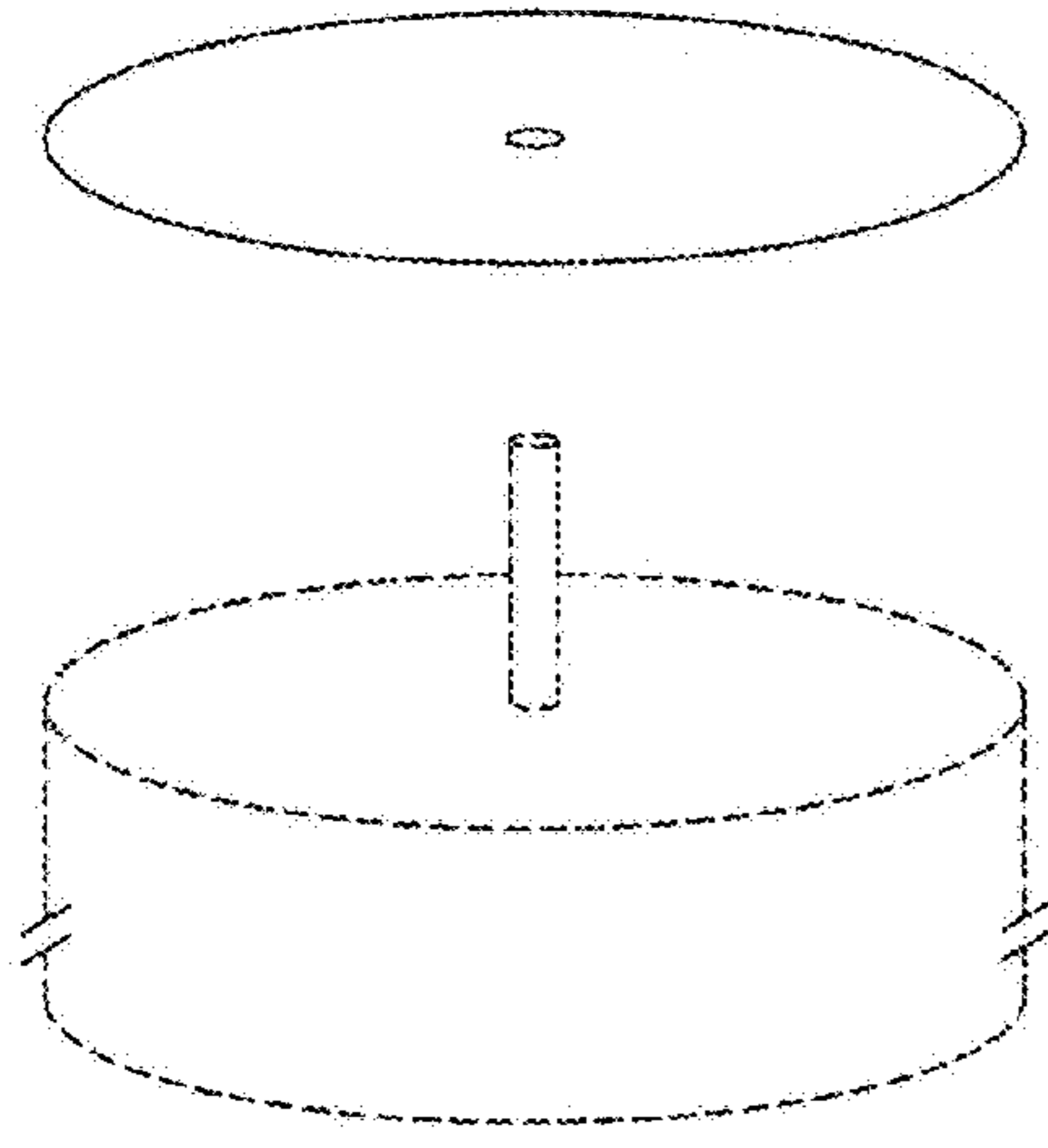


FIG. 1

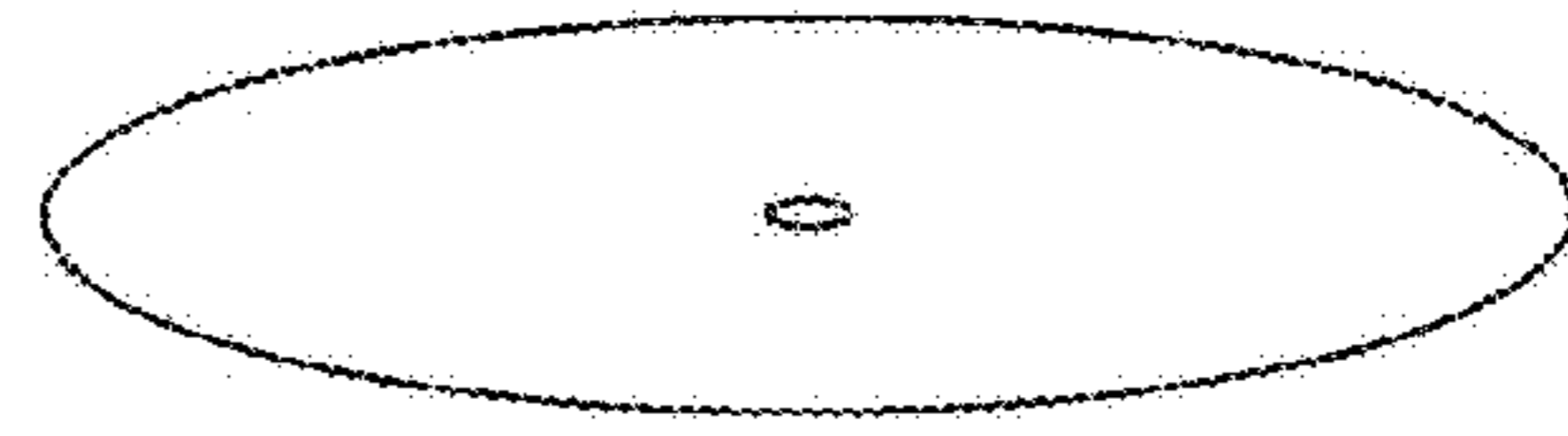


FIG. 2

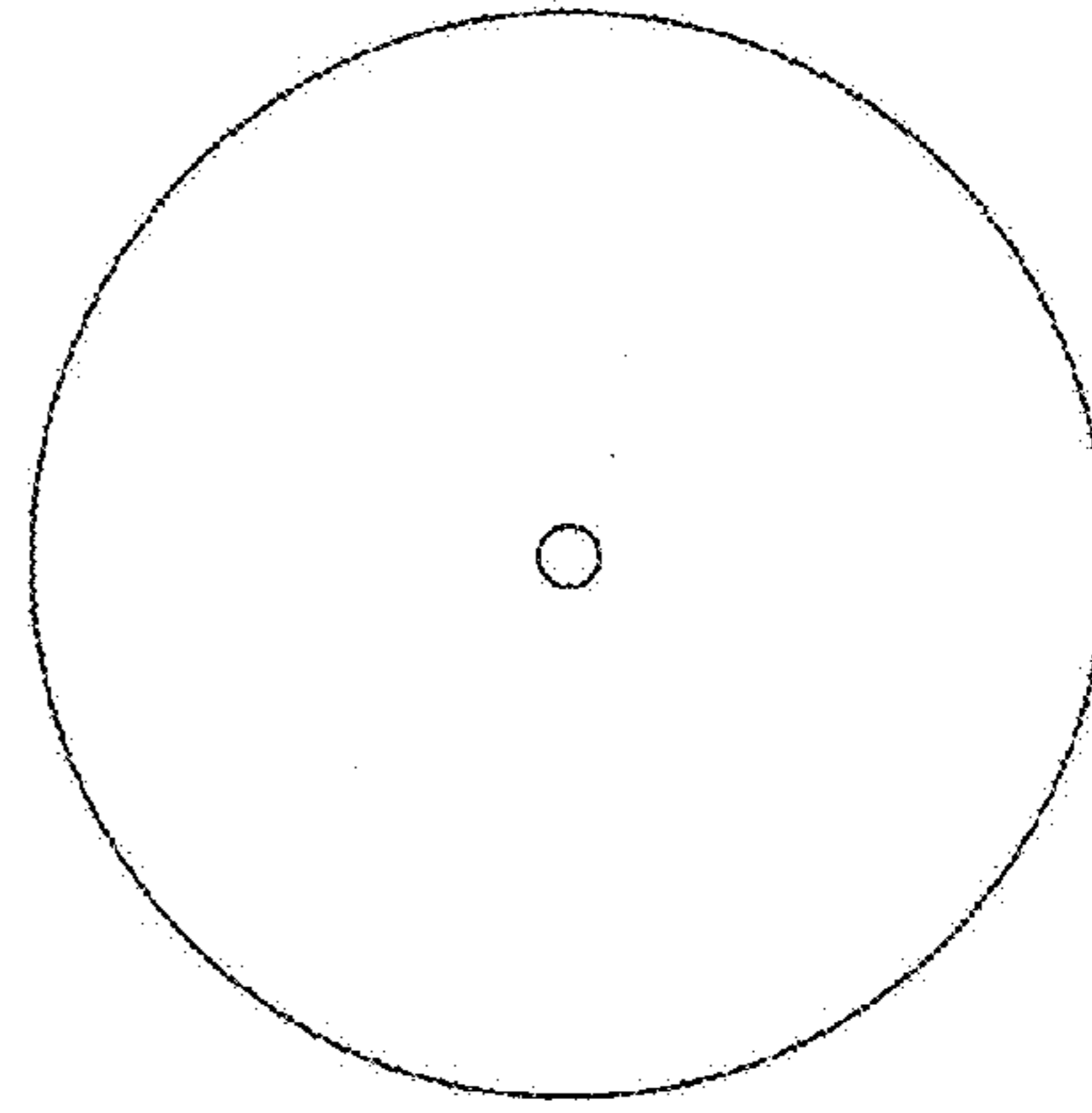


FIG. 3

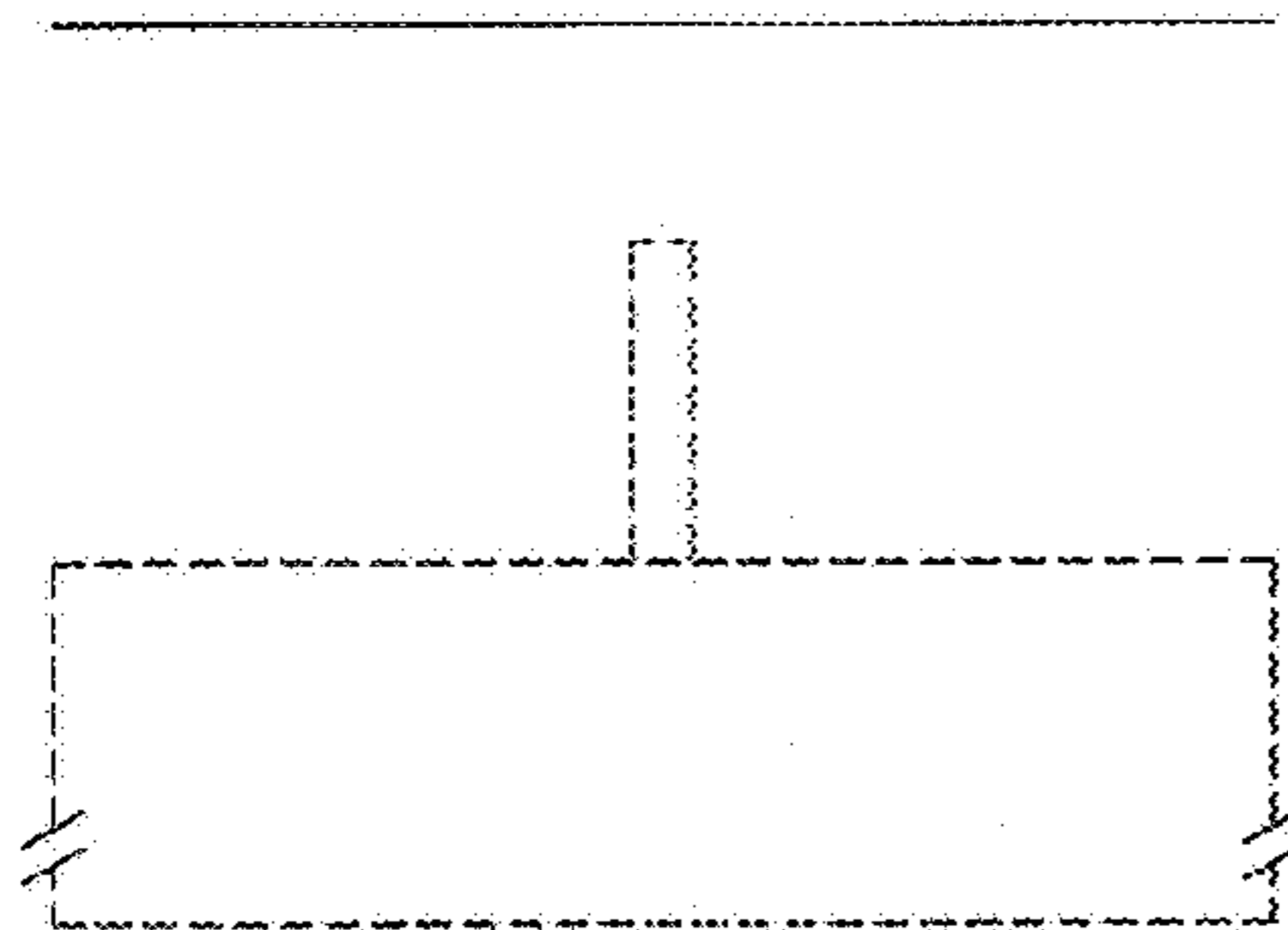


FIG. 4

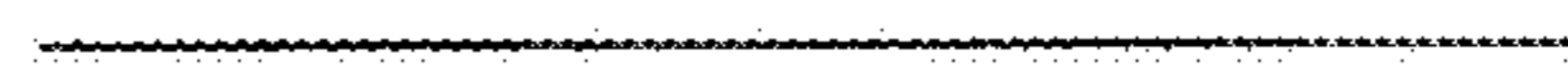


FIG. 5