



US00D658315S

(12) **United States Design Patent**  
**Walters**

(10) **Patent No.:** **US D658,315 S**  
(45) **Date of Patent:** **\*\* Apr. 24, 2012**

(54) **TAPERING CANDLE WITH A PLURALITY OF VERTICAL CUTS THAT RUN THROUGH THE CANDLE**

(76) Inventor: **Kim Jeffrey Walters**, Mill Creek, WA (US)

(\*\*) Term: **14 Years**

(21) Appl. No.: **29/340,412**

(22) Filed: **Jul. 17, 2009**

(51) **LOC (9) Cl.** ..... **26-04**

(52) **U.S. Cl.** ..... **D26/6**

(58) **Field of Classification Search** ..... D26/1-23, D26/114-137; D11/117; 428/7-11; 431/291, 431/311, 320, 298, 288; 362/161-163, 351, 362/569, 392

See application file for complete search history.

(56) **References Cited**

**U.S. PATENT DOCUMENTS**

1,195,657 A 8/1916 Chersky  
(Continued)

**FOREIGN PATENT DOCUMENTS**

GB 2 196 017 A 4/1988  
(Continued)

*Primary Examiner* — T. Chase Nelson

*Assistant Examiner* — Ania Aman

(74) *Attorney, Agent, or Firm* — Merchant & Gould P.C.

(57) **CLAIM**

The ornamental design for a tapering candle with a plurality of vertical cuts that run through the candle, as shown and described.

**DESCRIPTION**

FIG. 1 is a top and front perspective view of a first embodiment of a tapering candle with a plurality of vertical cuts that run through the candle showing the new design.

FIG. 2 is a top plan view of the first embodiment of the tapering candle with a plurality of vertical cuts that run through the candle of FIG. 1.

FIG. 3 is a front elevation view of the first embodiment of the tapering candle with a plurality of vertical cuts that run through the candle of FIG. 1, the rear elevation view being a mirror image.

FIG. 4 is a left side elevation view of the first embodiment of the tapering candle with a plurality of vertical cuts that run through the candle of FIG. 1, the right side elevation view being a mirror image; and,

FIG. 5 is a bottom plan view of the first embodiment of the tapering candle with a plurality of vertical cuts that run through the candle of FIG. 1.

FIG. 6 is a top and rear perspective view of a second embodiment of a tapering candle with a plurality of vertical cuts that run through the candle showing the new design.

FIG. 7 is a top plan view of the second embodiment of the tapering candle with a plurality of vertical cuts that run through the candle of FIG. 6.

FIG. 8 is a front elevation view of the second embodiment of the tapering candle with a plurality of vertical cuts that run through the candle of FIG. 6, the rear elevation view being a mirror image.

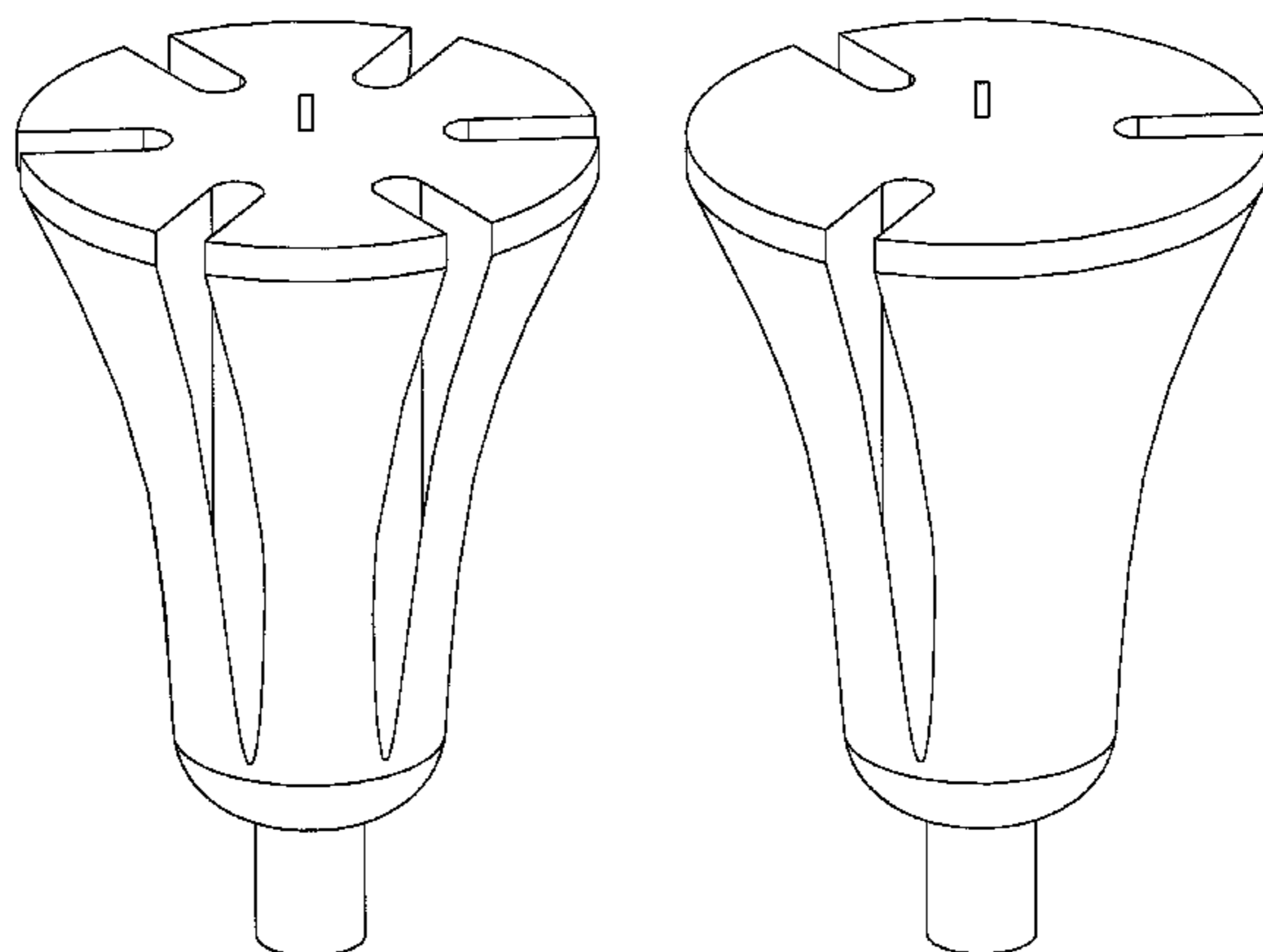
FIG. 9 is a left side elevation view of the second embodiment of the tapering candle with a plurality of vertical cuts that run through the candle of FIG. 6; and,

FIG. 10 is a bottom plan view of the second embodiment of the tapering candle with a plurality of vertical cuts that run through the candle of FIG. 6.

Any portion of the tapering candle with a plurality of vertical cuts that run through the candle shown in broken lines is for the purpose of illustrating environmental structure and forms no part of the claimed design.

The dot-dash-dot lines shown in the drawings define the boundary of the claim and form no part of the claimed design.

**1 Claim, 10 Drawing Sheets**



# US D658,315 S

Page 2

## U.S. PATENT DOCUMENTS

D56,441 S 10/1920 Larkin  
1,622,347 A 3/1927 Rhoads  
2,234,903 A 3/1941 Muench  
D130,738 S \* 12/1941 Balk ..... D26/7  
D147,730 S 10/1947 Hussey  
D170,027 S 7/1953 Perlmutter  
2,974,509 A 3/1961 Penke  
5,069,617 A 12/1991 Lin  
D369,871 S 5/1996 Lui  
D394,513 S 5/1998 Davis  
D409,316 S \* 5/1999 Majerowski ..... D26/6  
5,910,005 A 6/1999 Scherr  
D456,535 S 4/2002 Yin  
D456,536 S 4/2002 Araujo  
6,409,501 B1 6/2002 Pappas  
D466,632 S \* 12/2002 Lablaine ..... D26/6

D466,633 S 12/2002 Bennetts et al.  
6,511,313 B1 1/2003 Livne et al.  
6,699,034 B2 3/2004 Schoeck  
6,733,280 B1 5/2004 Livne et al.  
D496,473 S 9/2004 D'Onofrio  
7,073,497 B2 7/2006 Dennis et al.  
7,144,246 B2 12/2006 Barnstead  
7,187,318 B1 3/2007 Lee et al.  
D542,428 S 5/2007 Wagenknecht et al.  
2006/0263733 A1 11/2006 Furner et al.  
2007/0026352 A1 2/2007 Kubicek et al.  
2010/0055631 A1 3/2010 Walters

## FOREIGN PATENT DOCUMENTS

GB 2045028 6/1995  
GB 2098630 4/2001

\* cited by examiner

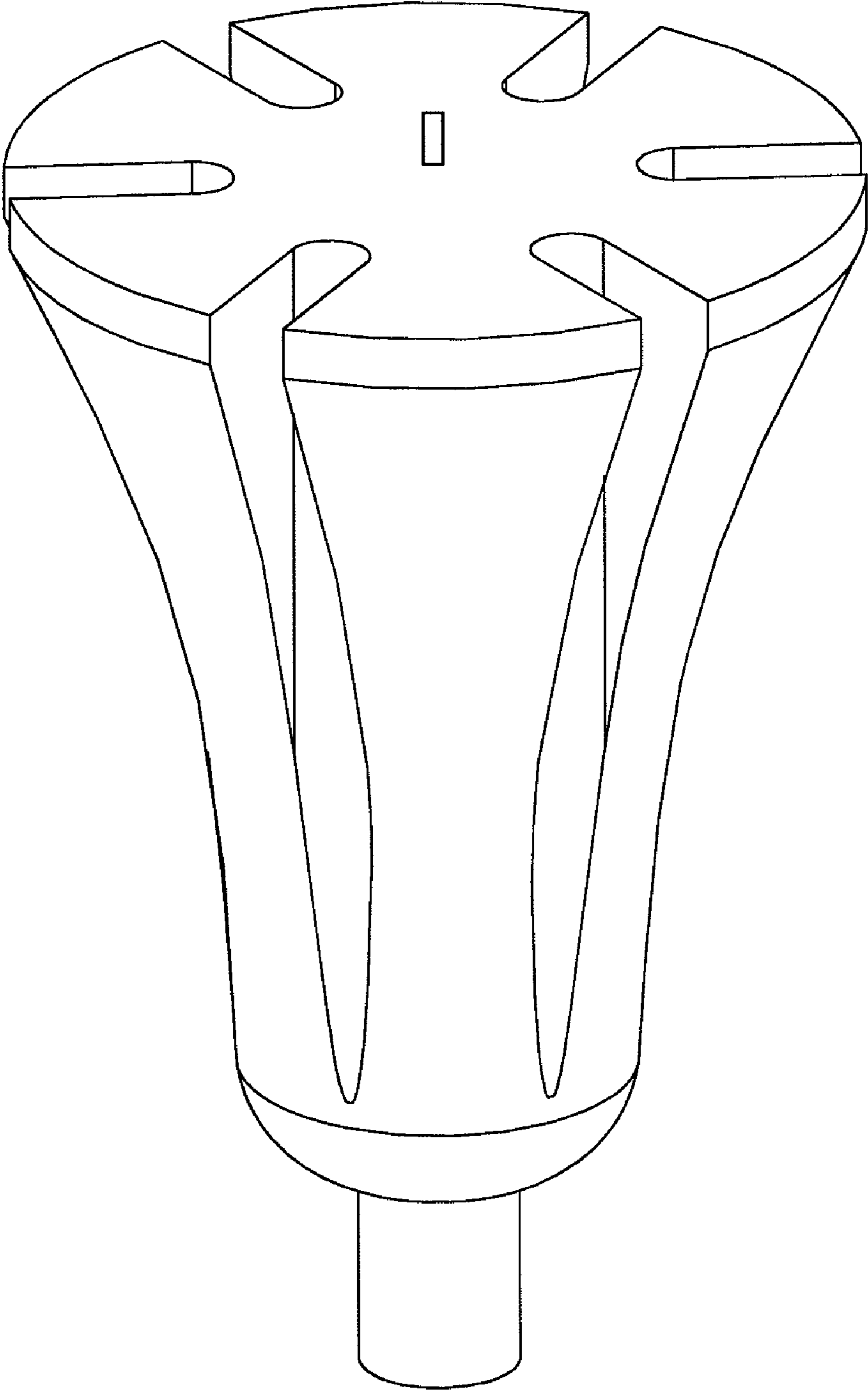


FIG. 1

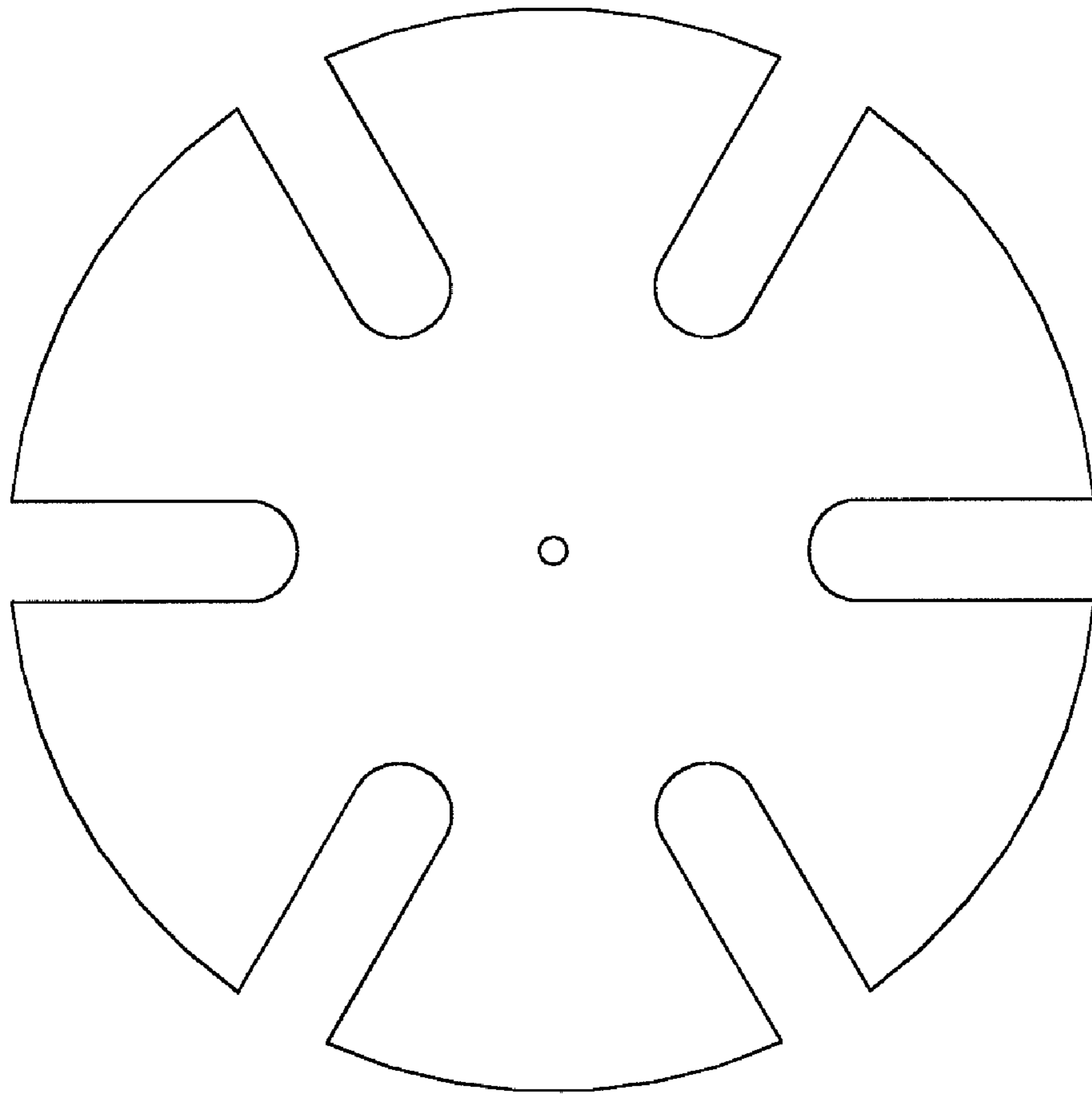


FIG. 2

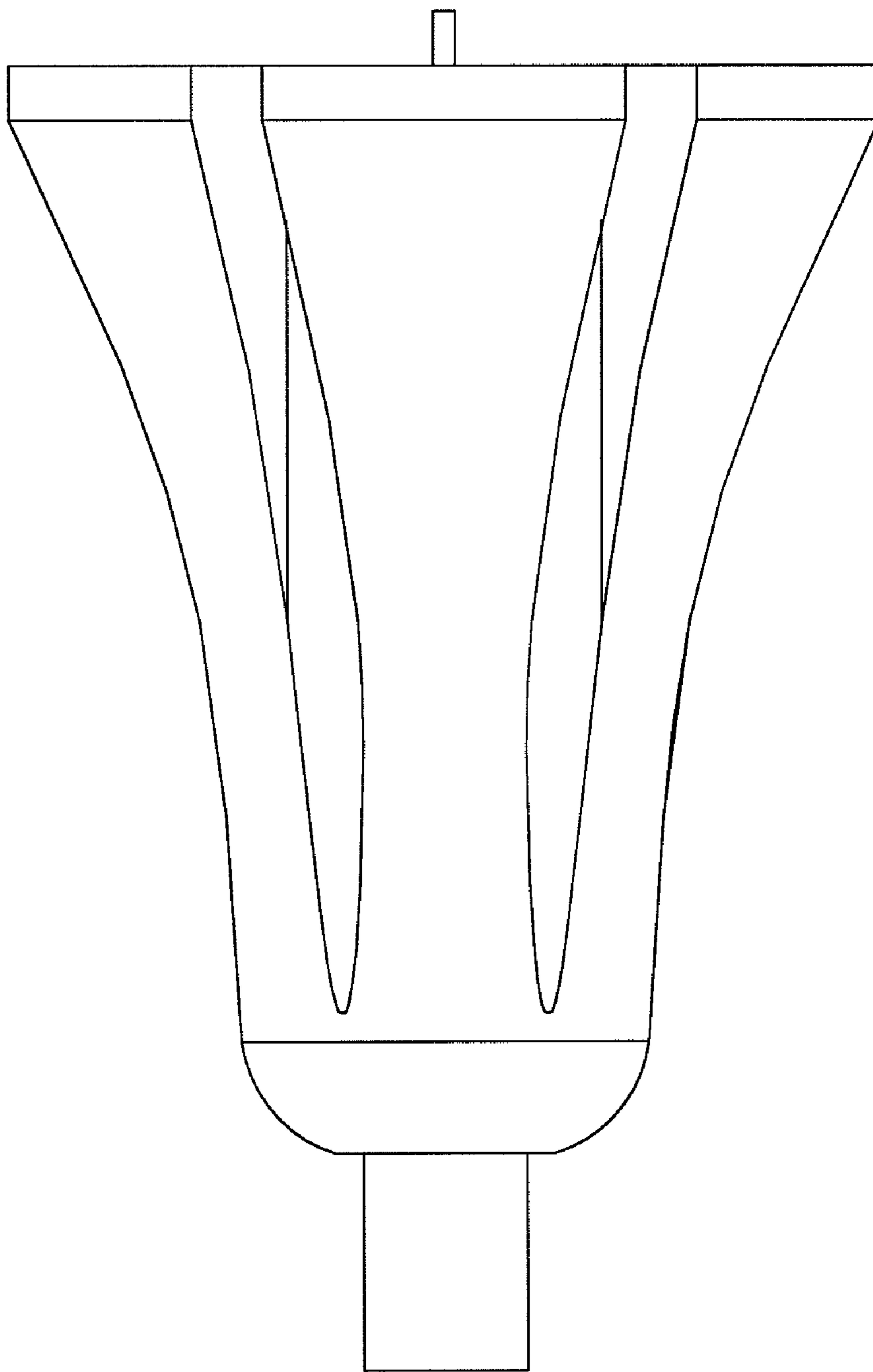


FIG. 3

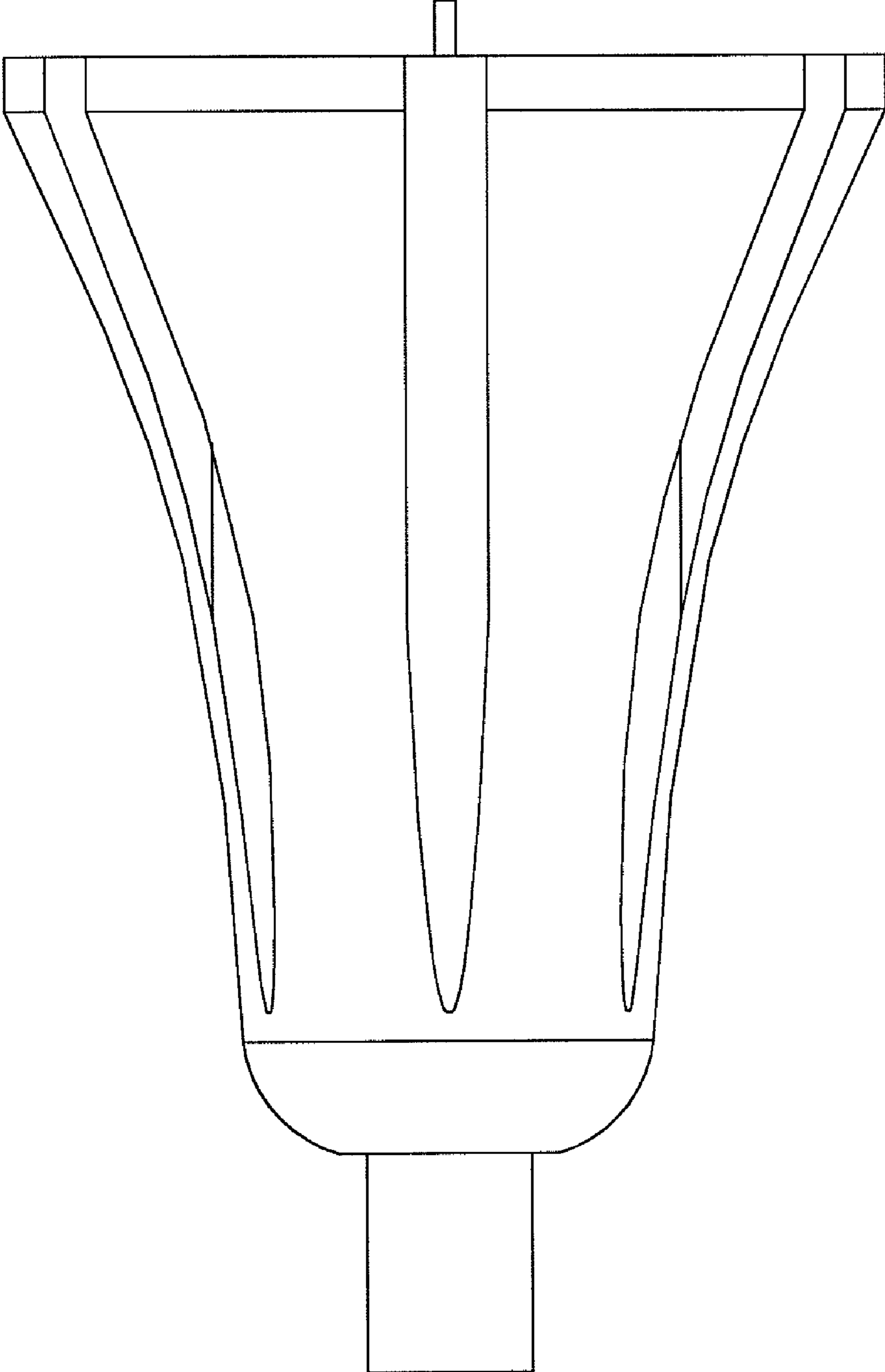


FIG. 4

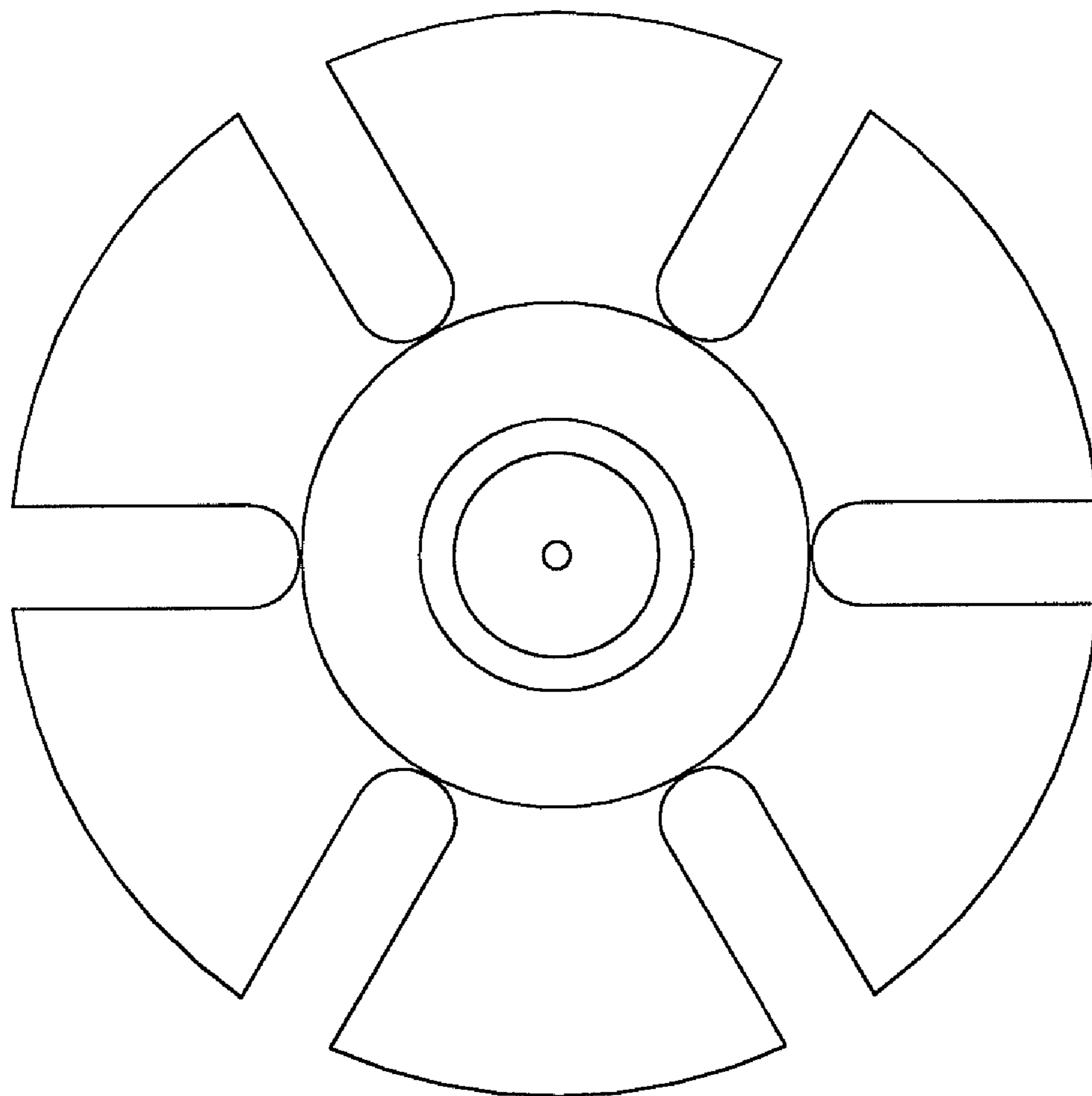


FIG. 5

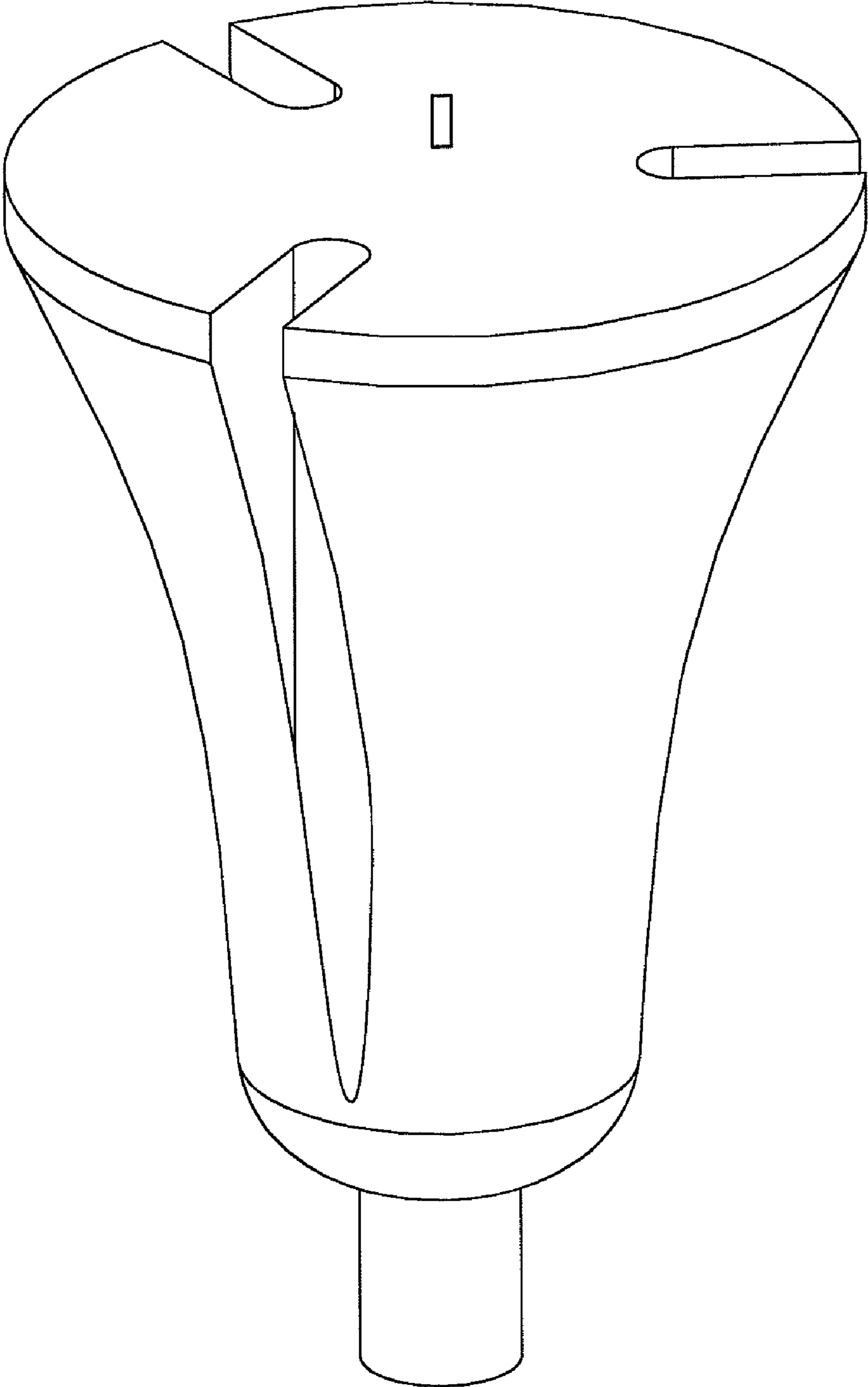


FIG. 6



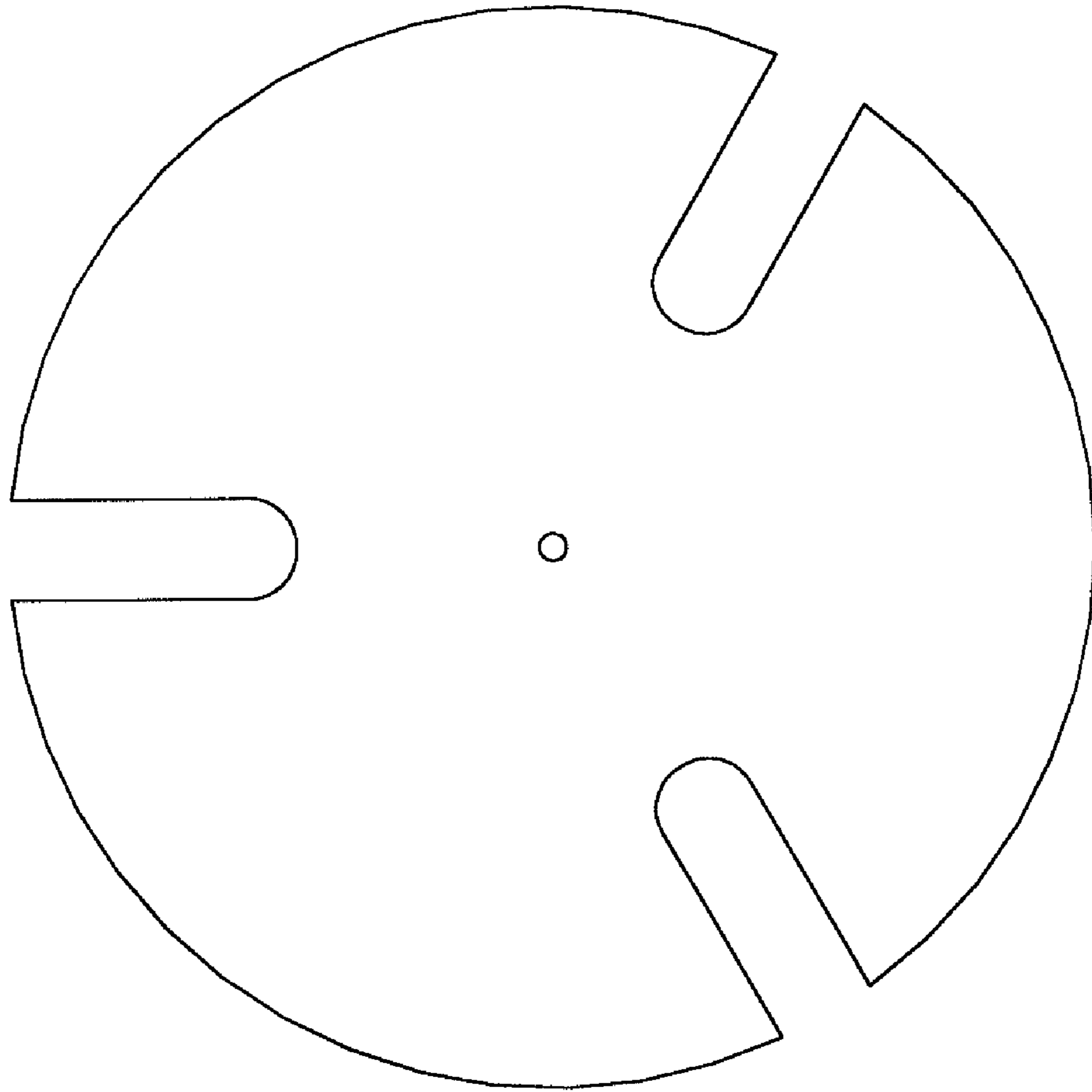


FIG. 7

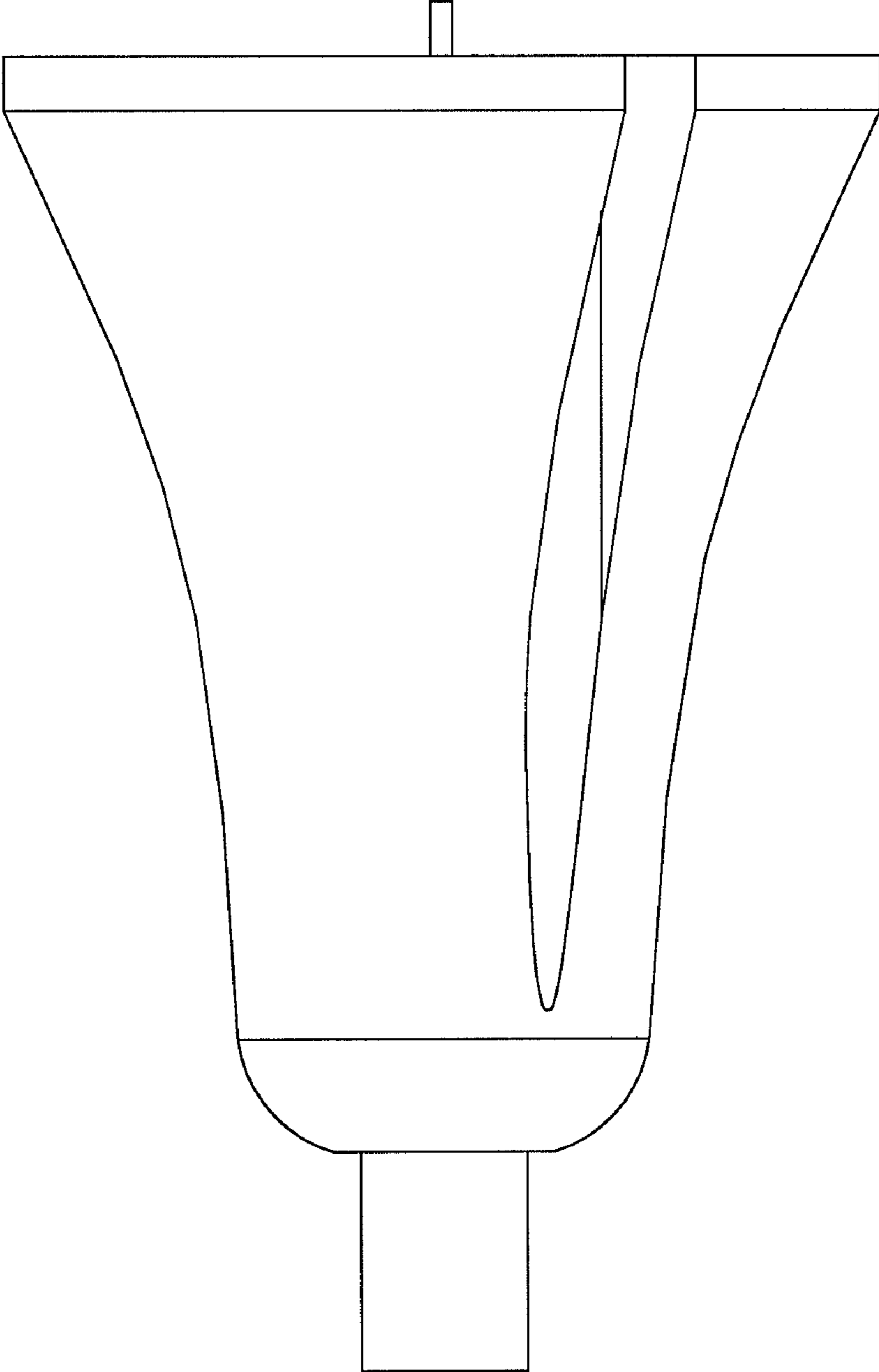


FIG. 8

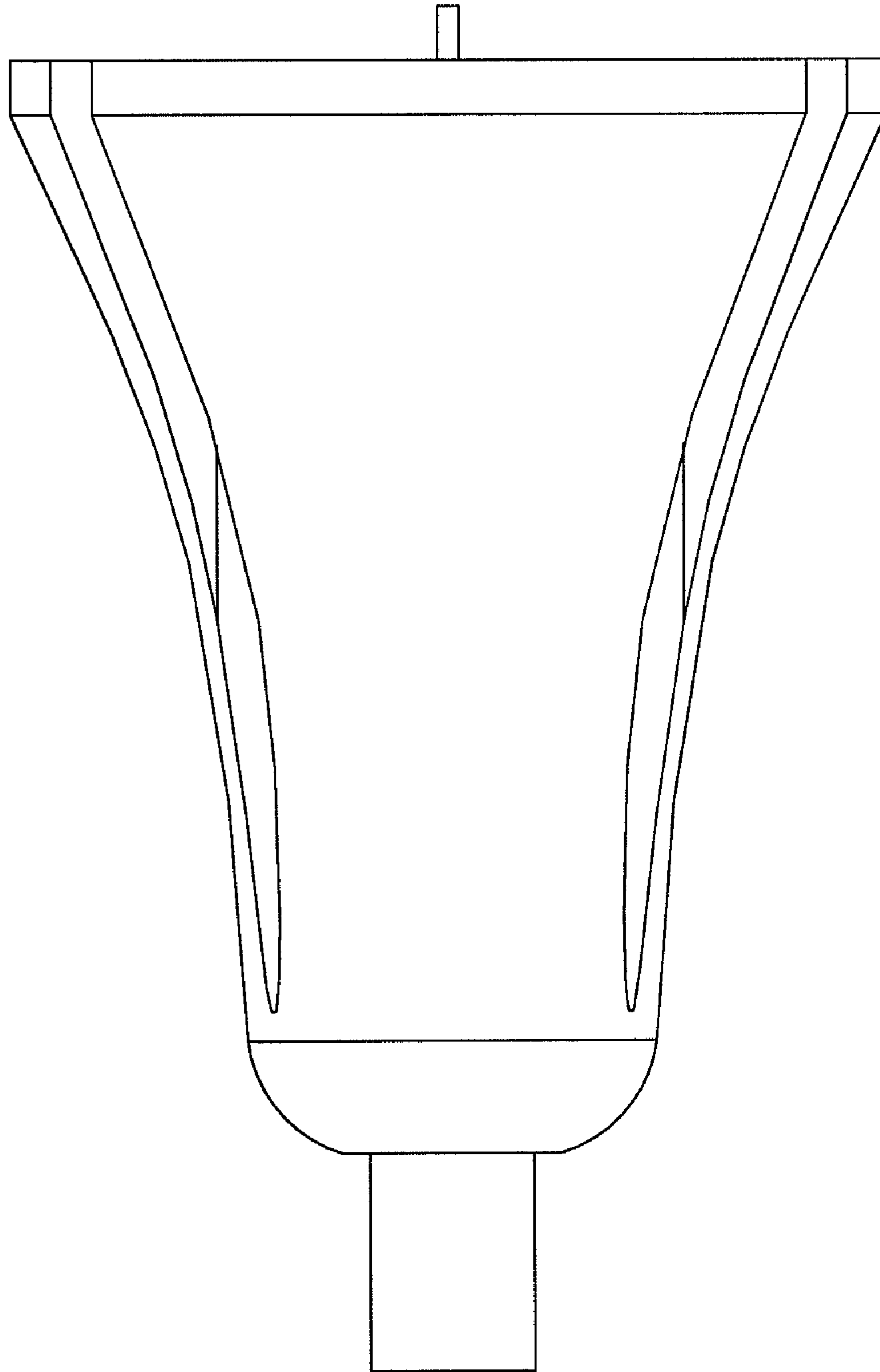


FIG. 9

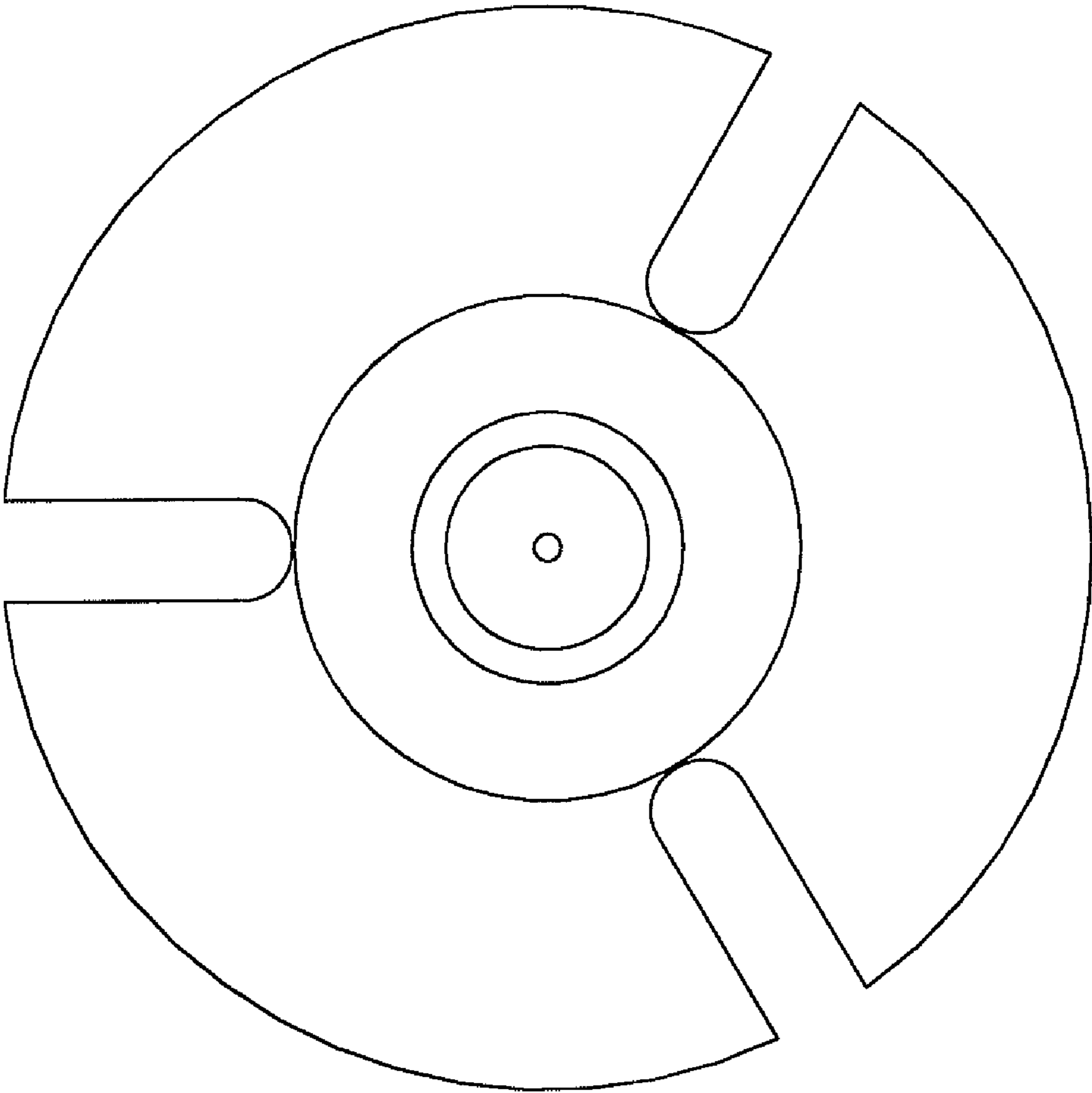


FIG. 10